

Operating instructions (translation)

Follow these instructions to ensure proper and safe use. Retain for future use.

General

- 5-channel wall transmitter with 5 individual channels and 1 central channel for operating roller shutters, venetian blinds and awnings
- Suitable for standard device deployment 50 x 50 mm
- Radio frequency for reliable transmission
- Large operator buttons
- Display of system statuses using LEDs

Product contents

- Wall transmitter module
- CR 2032 battery (installed)
- elero frame
- Black fixing plate with fixing set (wall plugs and screws)
- Operating instructions

Technical data

Power supply	3 V battery, CR 2032
Radio frequency [MHz] (band)	868
Transmission power [mW] [dBm]	≤ 500 ≤ 10
Number of channels	5 + 1
Connections, terminals	None
Operating temperature [°C]	0 ... 50
Protection class (IP)	20
Dimensions (WxHxD) [mm]	
Wall transmitter module	50 x 50 x 9.6
Fixing plate	approx. 75 x 75
elero frame	approx. 80 x 80
Weight [g]	approx. 50
Type of mounting	Wall mounting
Item number	286550001

Safety instructions **CAUTION**

Please read this operating manual carefully as the procedure in this manual is a prerequisite for correct use of the product. Only operate the transmitter within sight of the devices being controlled. It is not recommended to operate all drives simultaneously. For safety reasons, at least one drive should be controlled independently from others to provide a safe escape route in the event of an emergency. The figures in this operating manual are for illustration purposes only. The illustrations may differ from your product with respect to minor details and are provided for general information only. elero GmbH continuously strives to improve all products. As a result, the specifications, features and technology of this product may be changed at any time. The information in this operating manual is based on current information at the time of publication. No claims can be derived from the technical data, images and information in this operating manual.

Intended use Foreseeable misuse

Only use in dry rooms for controlling elero radio receivers. Do not perform any modifications to the device. Do not operate the transmitter inadvertently or carelessly. The manufacturer will not assume liability for damage caused by the above.

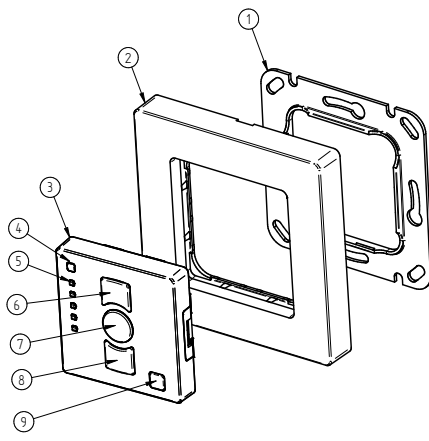
Assembly / commissioning

Important: The battery is not activated at delivery. For commissioning, remove the insulating strip **A**. Make sure the radio link is unobstructed. Avoid installing the unit in a distributor box or metal housing, in direct proximity to large metal objects, or on or close to the floor. Check the installation surface for hidden cables, etc.

Installation:

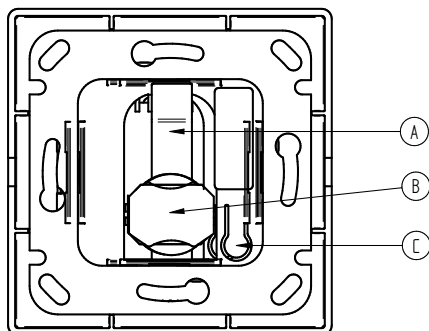
1. Attach the fixing plate to the installation location using the screws and wall plugs.
2. For programming the wall transmitter to the radio control or receiver: see "Programming the transmitter / channel".
3. Insert the wall transmitter and the elero frame into the fixing plate at a right angle with the wall.

Control elements, front



- ① Fixing plate
- ② elero frame
- ③ Wall transmitter module
- ④ LED status and operating mode
- ⑤ LEDs channels 1 to 5
- ⑥ UP ▲ button
- ⑦ STOP ■ button
- ⑧ DOWN/CLOSE ▼ button
- ⑨ Selection button for channel and operating mode

Back / battery replacement



- A Insulating strip
- B Battery compartment with marking
- C Programming button P

Asynchronous programming mode

Programming the transmitter / channel for multiple receivers

Requirement: The receiver is installed. Programming can only be performed in one selected channel. Several receivers can be programmed to one channel.

1. Switch the circuit off and on again: The receiver will remain ready to program / in programming mode for approx. 5 minutes.
2. Position yourself with the transmitter to be programmed within sight and radio range of the blind.
3. Press the [P] programming button for approx. 1 second. The blind will move up and down for approximately 2 minutes (programming mode). If several receivers are connected to the same feed line, then all are simultaneously ready to program / in programming mode. The blinds will start moving up and down randomly. The longer programming is delayed, the greater the offset will be. Individual receivers can now be assigned to the respective channel of the transmitter.
4. Immediately (maximum 1 second) after the start of upward travel, press the [UP ▲] button. The blind will stop for a short time.
5. Immediately (maximum 1 second) after the start of downward travel, press the [DOWN/CLOSE ▼] button. The blind will stop. **Important:** You can stop receivers that you do not want to program by pressing the STOP button ■ on an already programmed transmitter. You can now make the channel assignment/change without having to disconnect the individual receivers.
6. If the blind moves in the opposite direction or the blind does not stop after programming, delete the transmitter from the receiver and repeat the programming process.
7. QuinTec-868 is now programmed.

Stopping programming mode in the transmitter
Press the [STOP ■] button for at least 6 seconds until the LED status flashes orange.

Programming additional transmitters / channels to one receiver

1. Press the [UP ▲]+[DOWN/CLOSE ▼]+[P] buttons simultaneously for 3 seconds on a transmitter that has already been programmed to the receiver. The LED status and operating mode ④ goes out after about 3 seconds. The receiver will remain in programming mode for approximately 5 minutes. Press the programming button [P] on the transmitter to be programmed for approximately 1 second.
2. Immediately (maximum 1 second) after the start of upward travel, press the [UP ▲] button. The LED status and operating mode ④ lights up briefly. The blind stops, starts moving again, stops again, and then moves downwards.
3. Immediately (maximum 1 second) after the start of downward travel, press the [DOWN/CLOSE ▼] button. The indicator light will light up briefly. The blind will stop.
4. The transmitter or the transmitter channel has been programmed.

Deleting individual transmitters / channels

1. Press the [STOP ■]+[P] buttons simultaneously and hold them down for approx. 6 seconds.
2. The indicator light will light up orange and then red.

Delete all transmitters and receivers

To perform a factory reset, all selected drives must be supplied with power.

1. Press the [UP ▲]+[DOWN/CLOSE ▼]+[STOP ■]+[P] buttons and hold them down for at least 6 seconds.
2. LED status ④ shines orange first and then red.

Selection button ③

Auto	Manual
A receiver that is programmed responds to the timer function of a corresponding control unit or to commands by sensors.	A receiver that is programmed does <i>not</i> respond to the timer function of a corresponding control unit or to commands by sensors.

- Short operation: Display of the current operating mode Auto / Manual with selection Next channel / Central channel.
- Operation approx. 1 s duration: Display of the current operating mode Auto / Manual without channel change.
- Long press approx. 2 s duration: Switch between operating modes Auto and Manual.

Important:

Wind sensors trigger corresponding travel movements in both operating modes.

Configuring the drive

Defining the intermediate position

Requirement:

The blind is in the upper end position.

1. Press the **[DOWN/CLOSE ▼]** button until the desired intermediate position is reached.
2. Additionally, briefly press the **[STOP ■]** button. The blind will stop. The intermediate position has now been stored.

Define one of the ventilation/tilting/fabric tautening positions

Requirement:

The blind is in the lower end position.

1. Press the **[UP ▲]** button until the ventilation gaps open, the venetian blind slats are tilted or the awning fabric is taut.
2. Additionally, briefly press the **[STOP ■]** button. The blind will stop. The ventilation / tilting / fabric tautening position has been stored.

Moving to the intermediate position

Requirement:

The intermediate position is defined and the blind is in the upper end position (combined with Combo).

1. Press the **[DOWN/CLOSE ▼]** button twice (in quick succession): The blind moves to the saved intermediate position.

If no intermediate position has been defined, the blind moves to the lower end position.

Important: If you are using venetian blinds and a defined tilt position, the venetian blind slats will also tilt.

If no tilt position has been defined, the blind will stop at the intermediate position with the slats closed.

Moving to the ventilation / tilting / fabric tautening positions

Requirement:

The position of the ventilation / tilting / fabric tautening is defined and the blind is in the lower end position (combined with Combo).

1. Press the **[OPEN ▲]** button twice in quick succession:

The blind moves to the saved position.

If no ventilation / tilting / fabric tautening position is defined, the blind moves to the upper end position.

Deleting the intermediate position

Requirement: The transmitter is programmed.

1. Press the **[DOWN/CLOSE ▼]+ [STOP ■]** buttons simultaneously for approx. 3 seconds.

The intermediate position is now deleted. The indicator light will light up briefly.

Deleting the ventilation position / tilting position / fabric tautening position

Requirement: The transmitter is programmed.

1. Press the **[UP ▲]+ [STOP ■]** button simultaneously for approx. 3 seconds.

The ventilation / tilting / fabric tautening position has now been deleted. The LED status and operating mode ④ lights up briefly.

Replacing the battery

After a battery change, the transmitter programming is retained; QuinTec does not have to be reprogrammed into the radio receiver/transmitter.

1. Pry the wall transmitter module ③ and the **elero** frame ② out of the fixing plate ①.
2. Carefully pull the battery out of the battery compartment ⑥ using a blunt, insulated tool. Use only a CR 2032 battery. Make sure the polarity is correct. The positive terminal must be visible.
3. Reinsert the wall transmitter ③ into the fixing plate ①.

Dispose of the used battery in accordance with environmental regulations.

Central channel

- Same control system for several receivers with one travel command.
- All programmed receivers can be controlled in the central channel.
- QuinTec-868 can be programmed in several receivers.

Synchronous programming mode

For programming one transmitter to multiple receivers at the same time.

1. Press the **[DOWN/CLOSE ▼]+ [P]** buttons simultaneously for 3 seconds on a transmitter that has already been programmed to the receiver. The status LED flashes orange and green multiple times. The receivers are now synchronously in programming mode. The blind moves in briefly in the down direction.
2. With the transmitter to be programmed, perform steps 1 to 7 as described under "Programming the transmitter / channel".

LED status and operating mode ④

Green - steady	If the Selection button pressed previously: Operating mode Auto
Red - steady	If the Selection button pressed previously: Operating mode Manual
Orange - flashing slow	Channel (transmitter) not programmed in any receiver
Orange - flashing fast (approx. every 2 seconds)	Channel (transmitter) is in programming mode. Operation of receivers already programmed is not possible.
Orange - flashing fast (approx. every 2 seconds)	More than 10 receivers are ready for programming.
Orange or green - flashing multiple times, then red after 6 seconds	Channel (transmitter) has been deleted
Red - flashing quickly	Battery almost depleted

LEDs channels 1 to 5 ⑤

shining green	Display active channel(s) (1 or 5 channels) (one channel / the central channel is always selected)
---------------	--

Notes on troubleshooting

Fault	Cause	Remedy
Drive not running, indicator light not illuminating	Battery depleted The battery is incorrectly installed	Install a new battery Insert the battery correctly
The drive is not running, the status LED shines or flashes red	1. The receiver is outside radio range 2. Receiver not operating or faulty	1. Reduce distance to the receiver 2. Switch on or replace receiver
Drive runs in the wrong direction	Directions are incorrectly programmed	Delete transmitter and program correctly

Cleaning

Clean the device with a damp cloth only. Do not use cleaning agents because they can damage the surfaces.

Warranty

Within the legal warranty period, we will remedy any defects caused by material or manufacturing defects by repairing or replacing the unit. Unauthorised modifications will void the warranty.

Repairs

Please specify the item number, item description, type of fault, situational circumstances, presumed cause, unusual events prior to the problem.

Service/manufacture's address

If malfunctions have occurred or the device has been damaged despite proper handling, contact your contractor or dealer.

elero GmbH
73278 Schlierbach
GERMANY
www.elero.de

Conformity

elero hereby declares that QuinTec-868 wall transmitter is in compliance with Directive 2014/53/EU. The full text of the EU Declaration of Conformity is available at the following internet address:

www.elero.com/downloads-service/

Disposal



Batteries and old units may not be disposed of with household waste!

1. Dispose of packaging in the recycling bin for cardboard and paper.
2. Dispose of old batteries in the recycling bin for used batteries or have a retailer recycle them.
3. Dispose of old units at an electronic waste recycling facility or have a retailer recycle them.