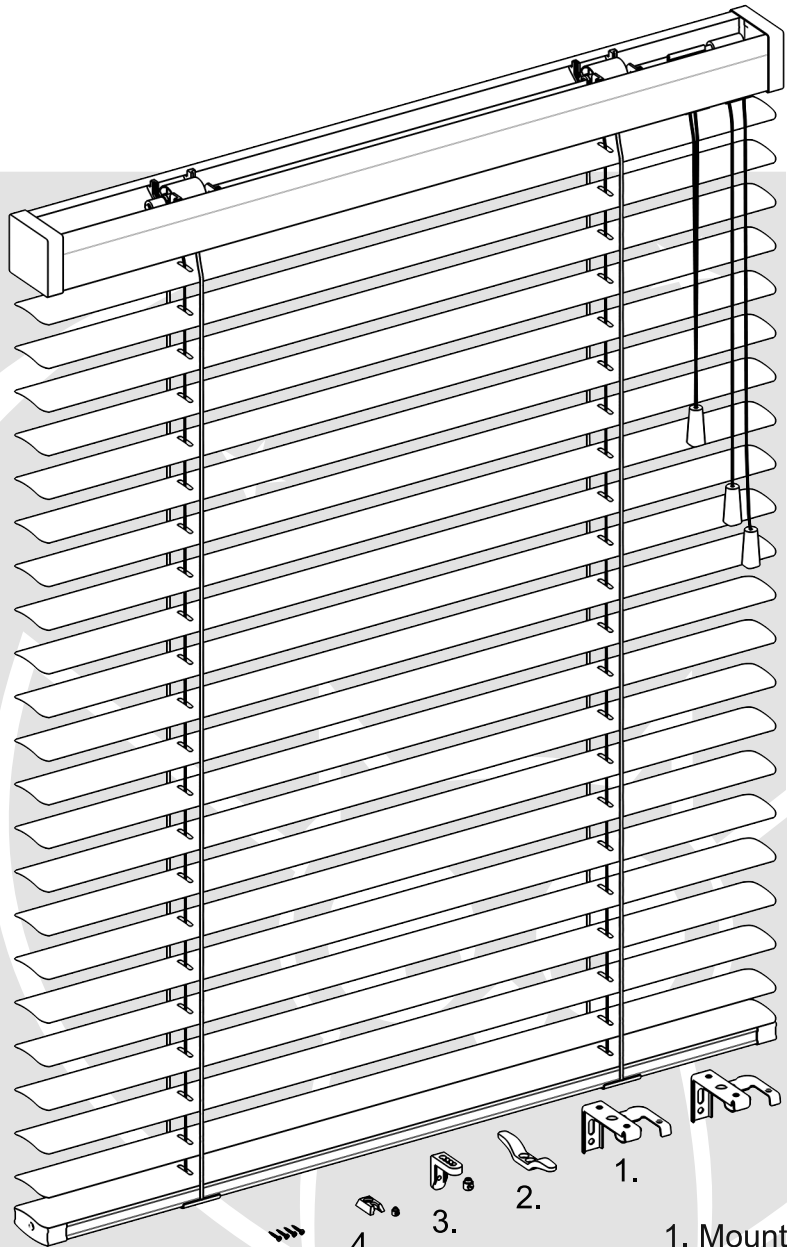




Installation instructions

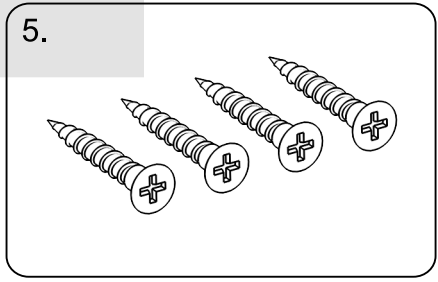
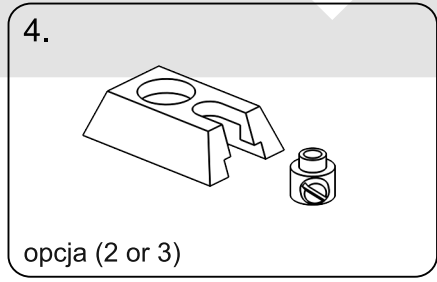
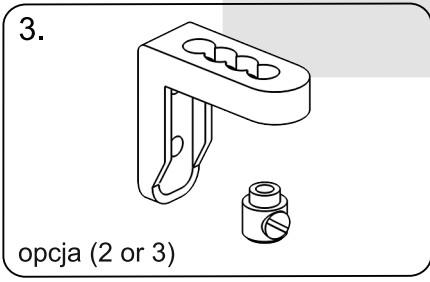
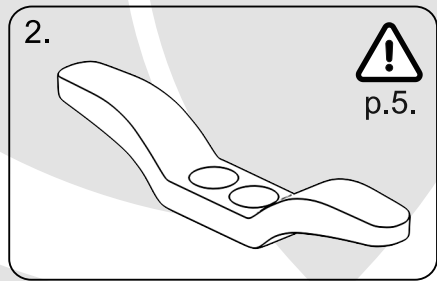
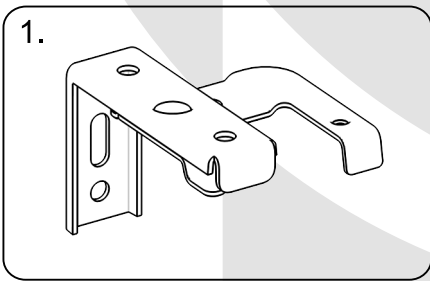
Venetian blind with 50x50 mm rail

Measurements.

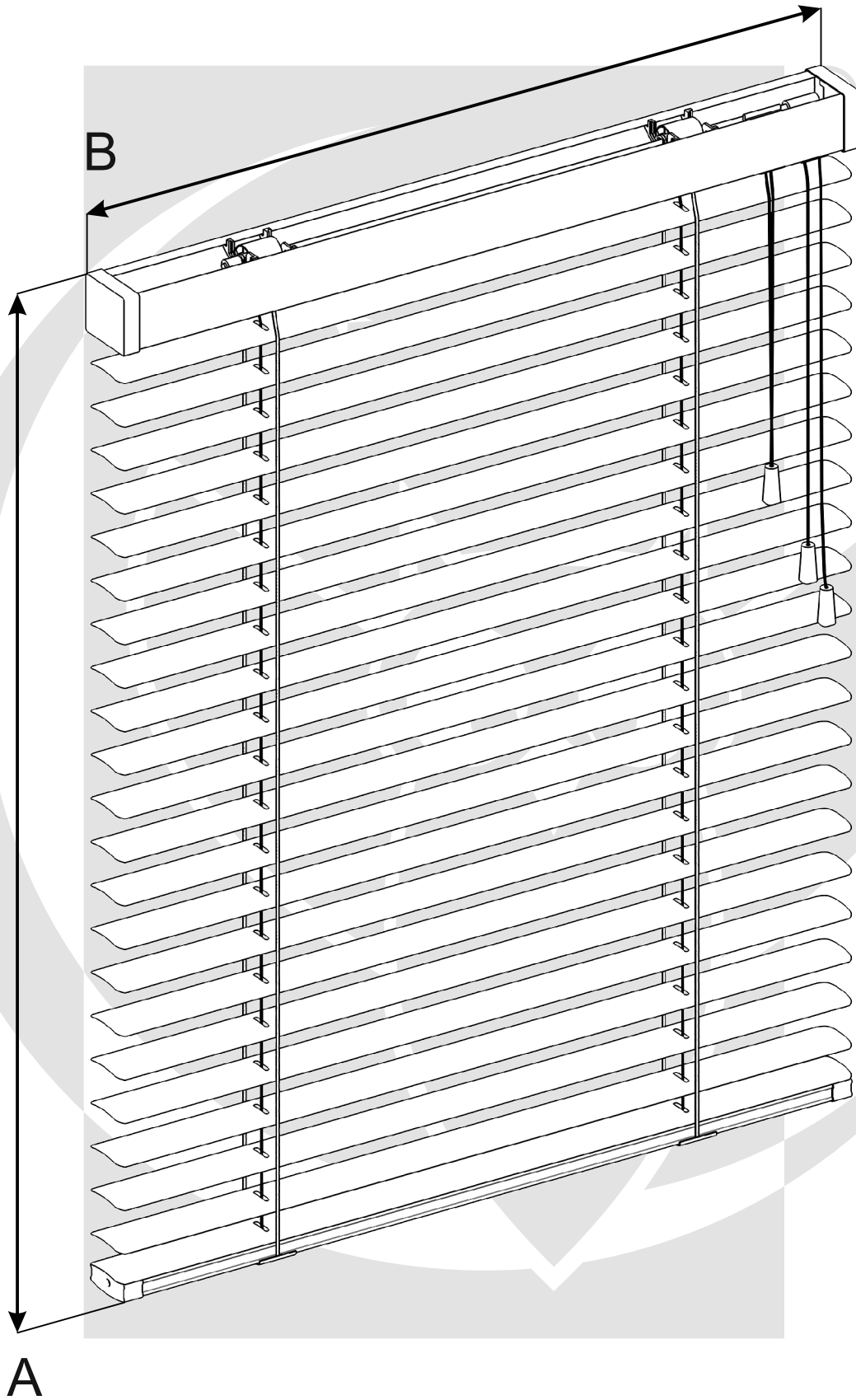


- 5.
- 4.
- 3.
- 2.
- 1.

- 1. Mount brackets.
- 2. Cleat hook.
- 3. Bottom B mount bracket - side string (optional side string).
- 4. Bottom C mount bracket - side string (optional side string).
- 5. Screws.

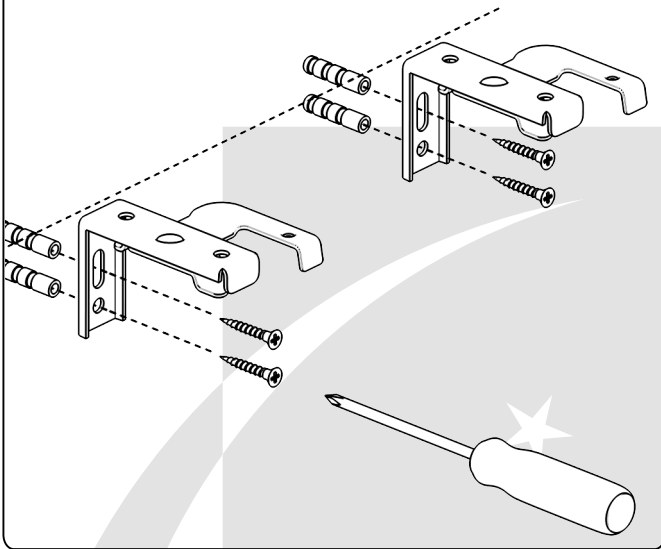


Measurements.

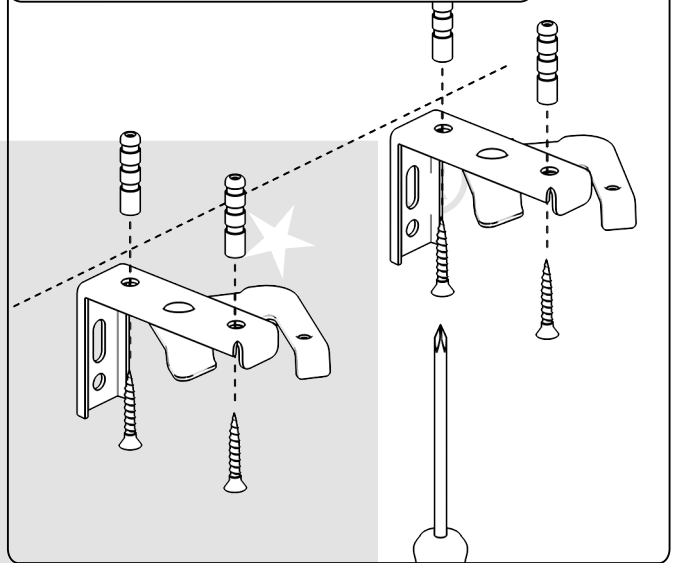


A - venetian blind height
B - venetian blind width

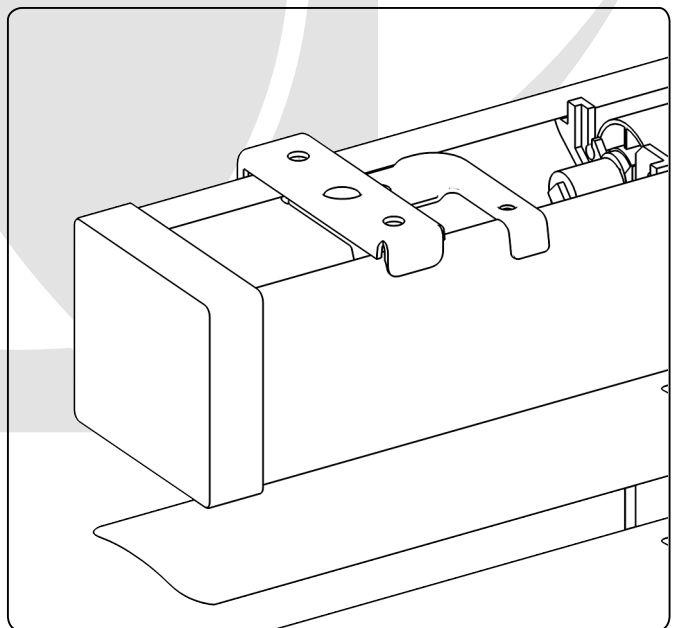
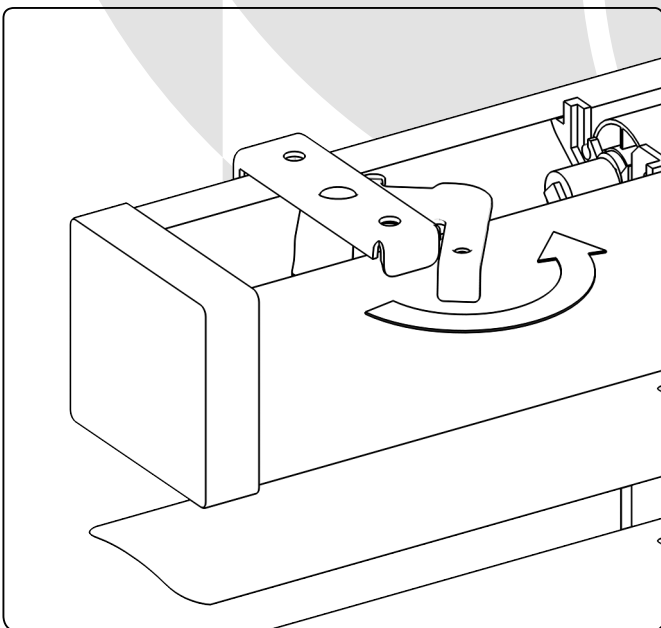
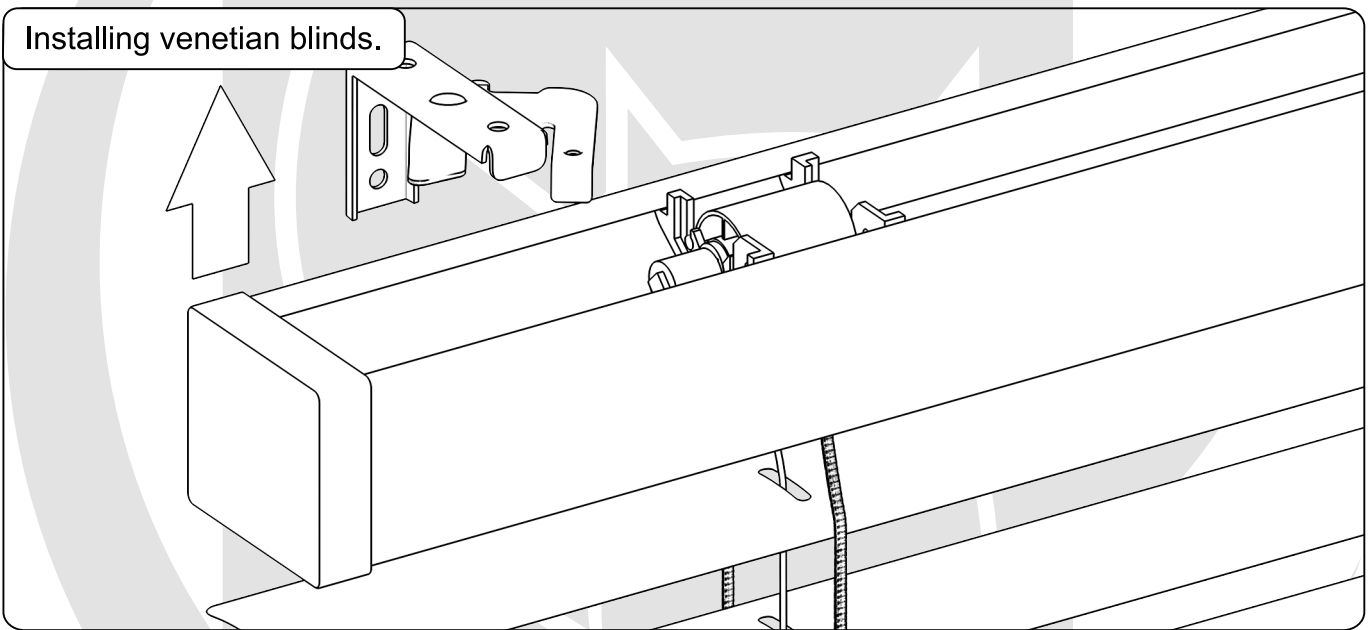
Installing mount brackets - wall.



Installing mount brackets - ceiling.

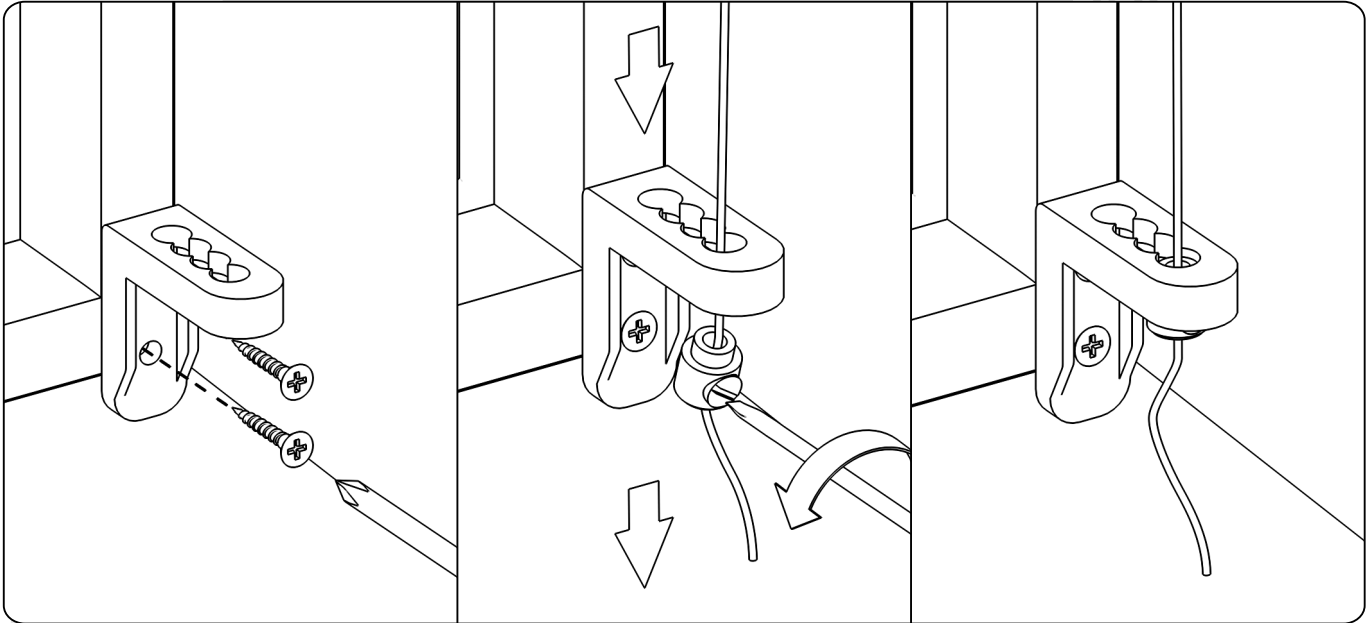


Installing venetian blinds.

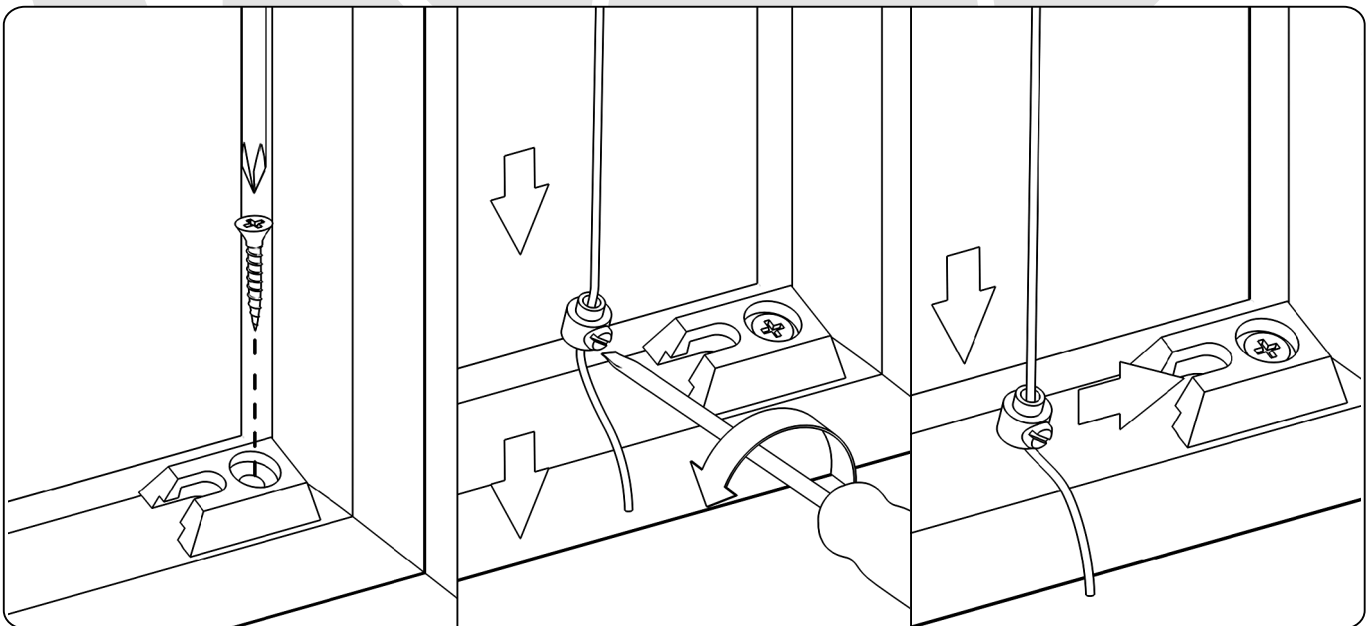




Installing string bottom type B mount bracket.

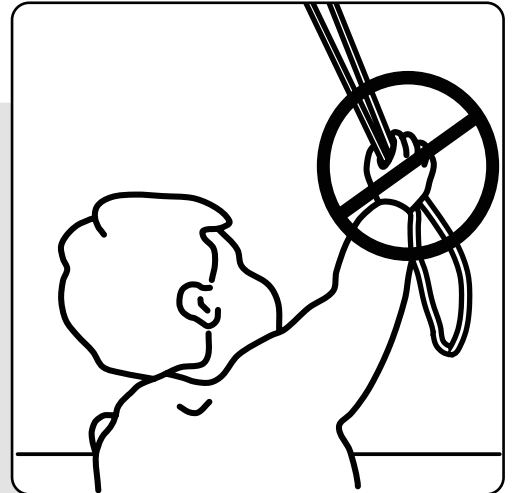


Installing string bottom type C mount bracket.

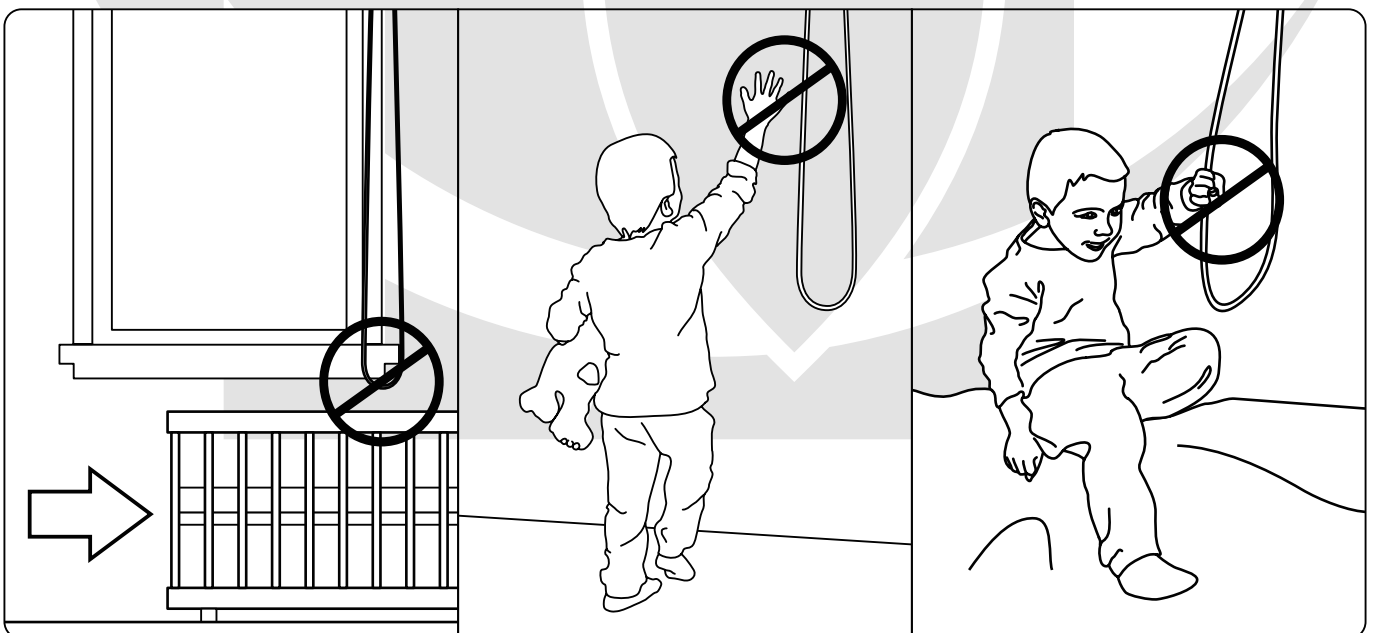
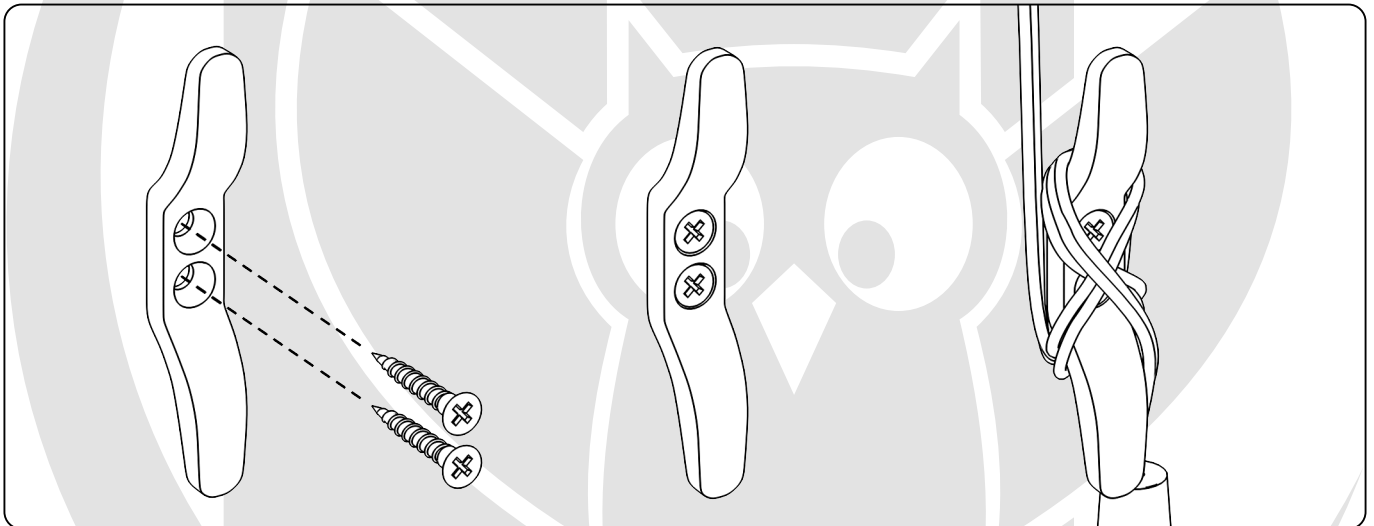


WARNING!

Small children can be strangled in the loops of cords, chains or belts used to operate venetian blinds. Children can also wrap cords around their necks. Cords must be kept out of reach of children to avoid entanglement and strangulation. Move beds, cots and furniture away from window covering cords and chains.



To prevent accidental strangulation, all venetian blinds are fitted with a cleat hook as per **EN 13120:2009+A1:2014**.





Fart Produkt Sp. z o. o. Sp. k.
ul. Towarowa 3, 87-100 Toruń
tel. +48 56 623 55 77
e-mail: export@fartprodukt.pl
www.fartprodukt.pl