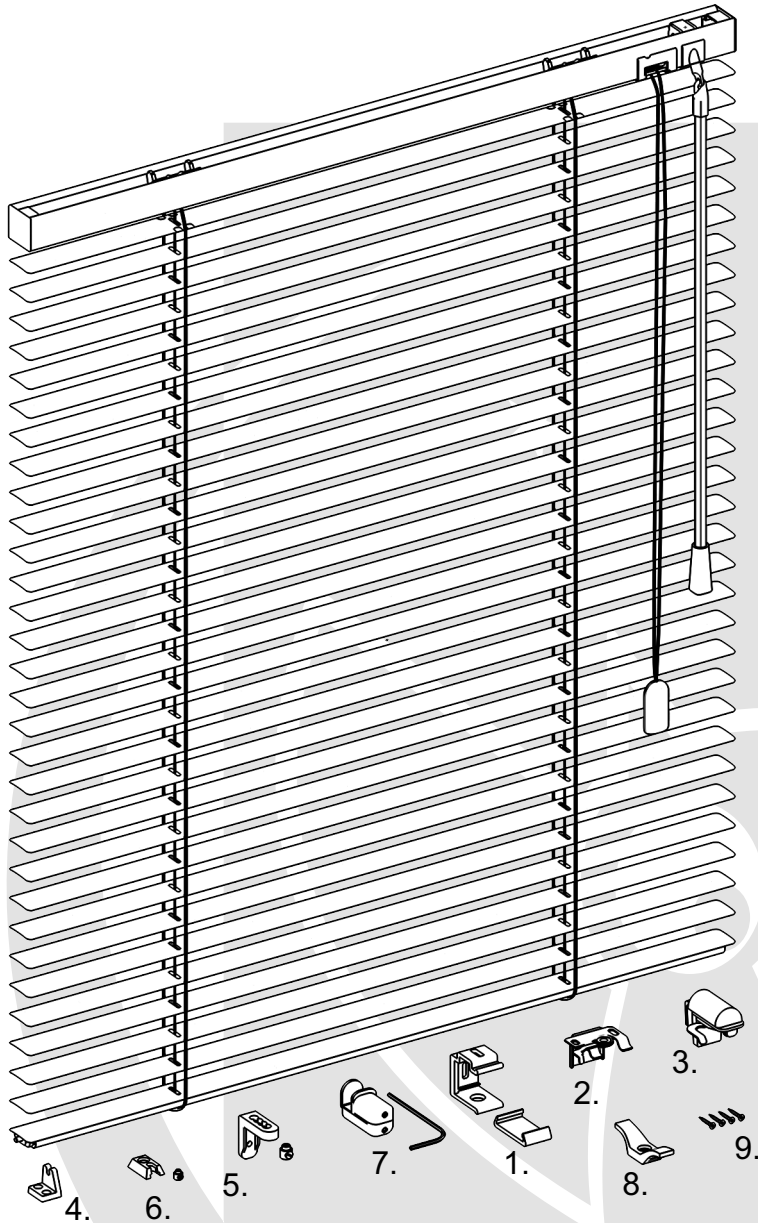




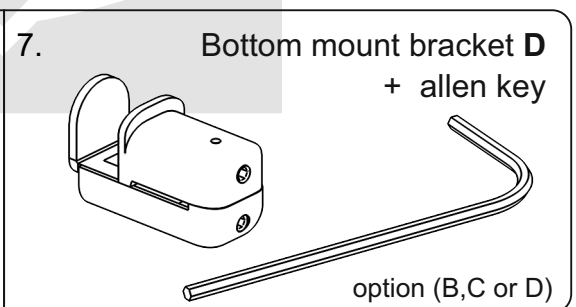
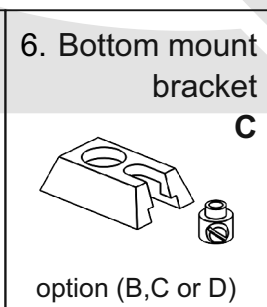
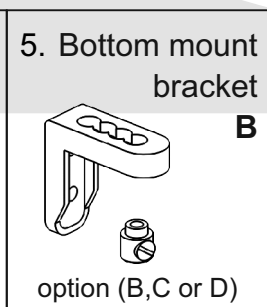
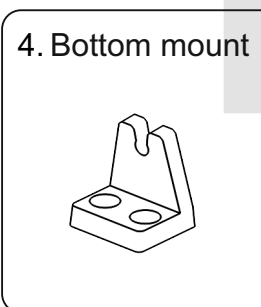
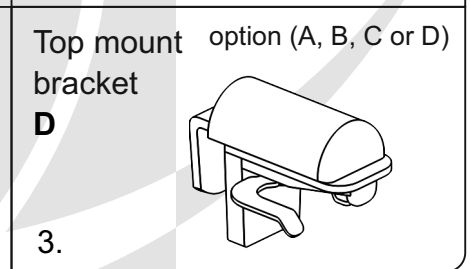
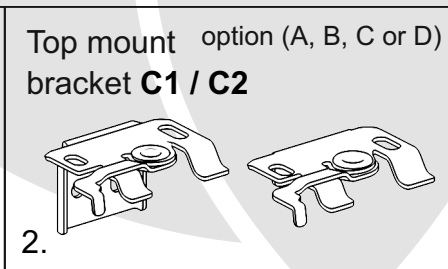
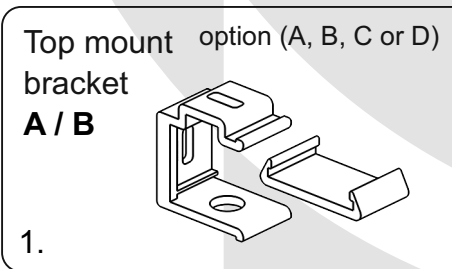
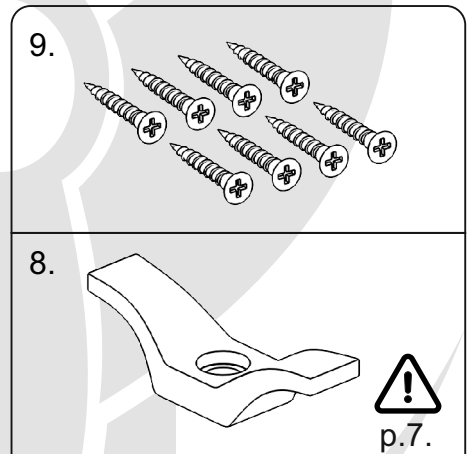
Installation instructions

Venetian blind with 25x25 mm rail

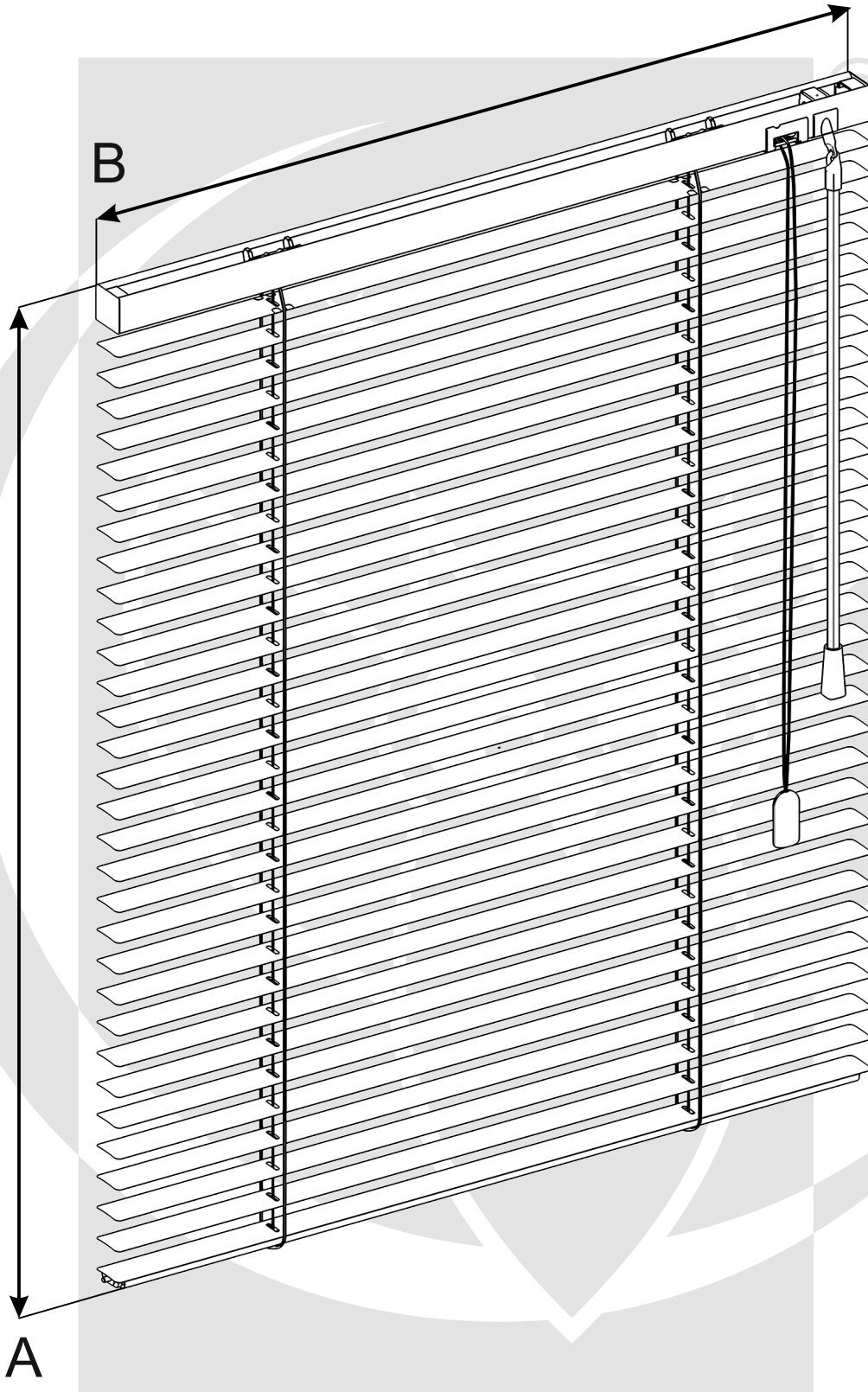
Packaging content:



1. White „A” or clear „B” top mount (included in the price).
2. Twist type metal top mount C1 / C2 (included in the price).
3. Twist type non-invasive top mount D (not included in the price).
4. Bottom mount (included in the price).
5. Bottom B mount bracket - side string (optional side string).
6. Bottom C mount bracket - side string (optional side string).
7. Bottom mount bracket D - side string (optional side string).
8. Cleat hook.
9. Screws (depending on installation option).

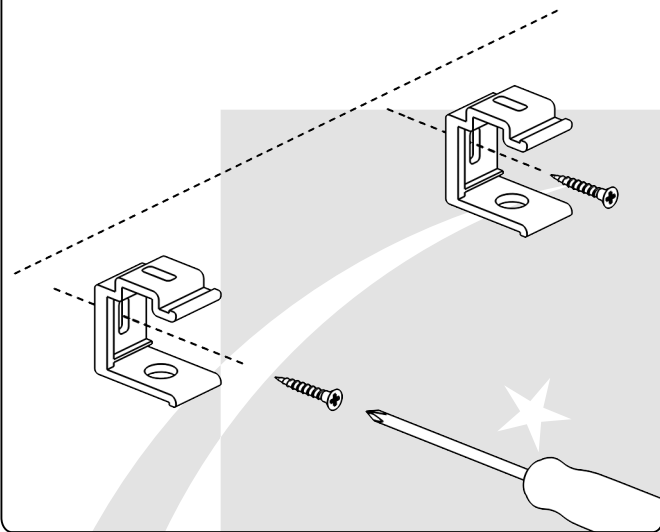


Measurements.

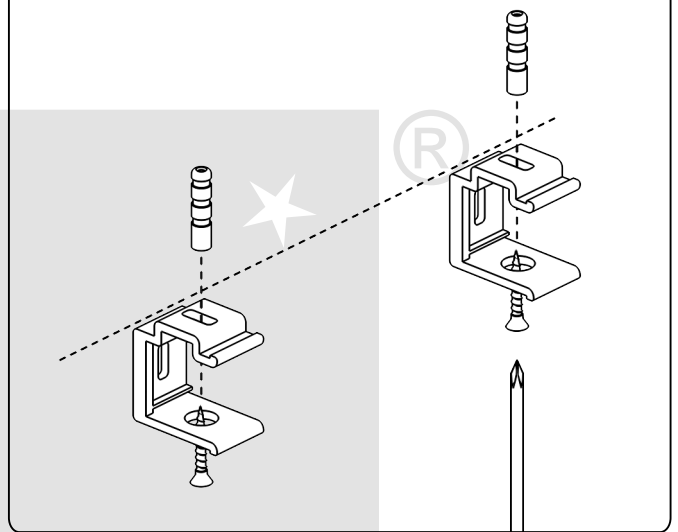


A - venetian blind height
B - venetian blind width

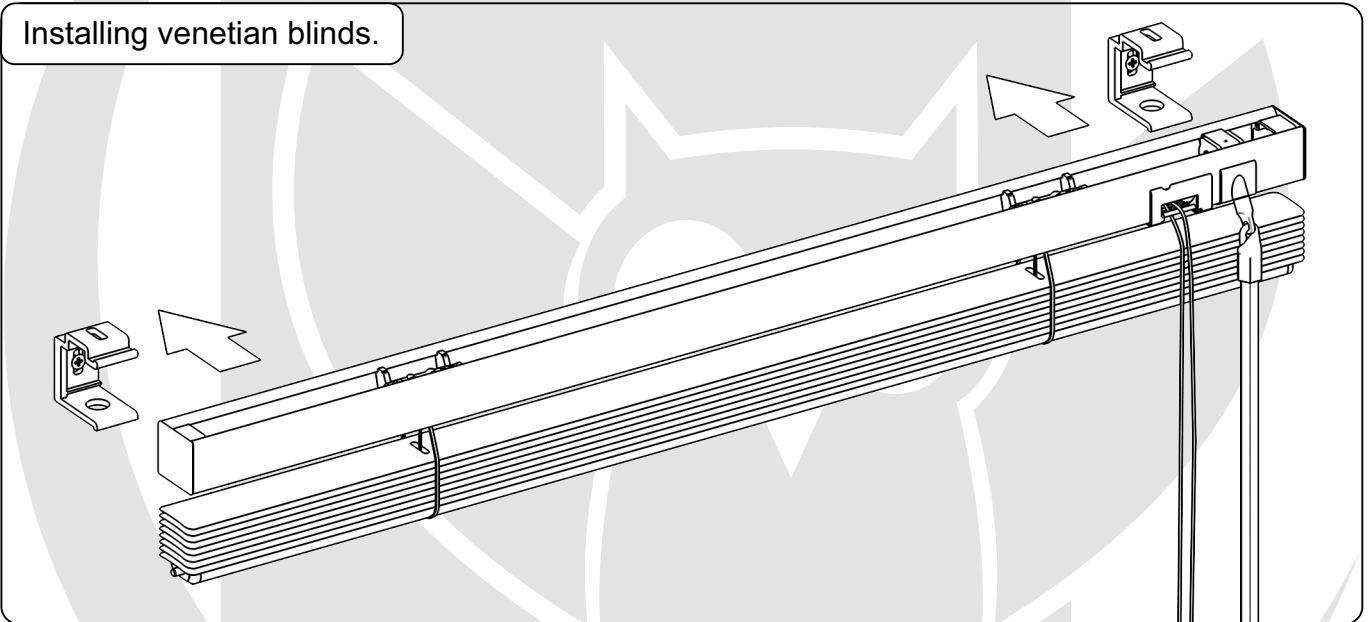
Installing plastic mount brackets - wall.



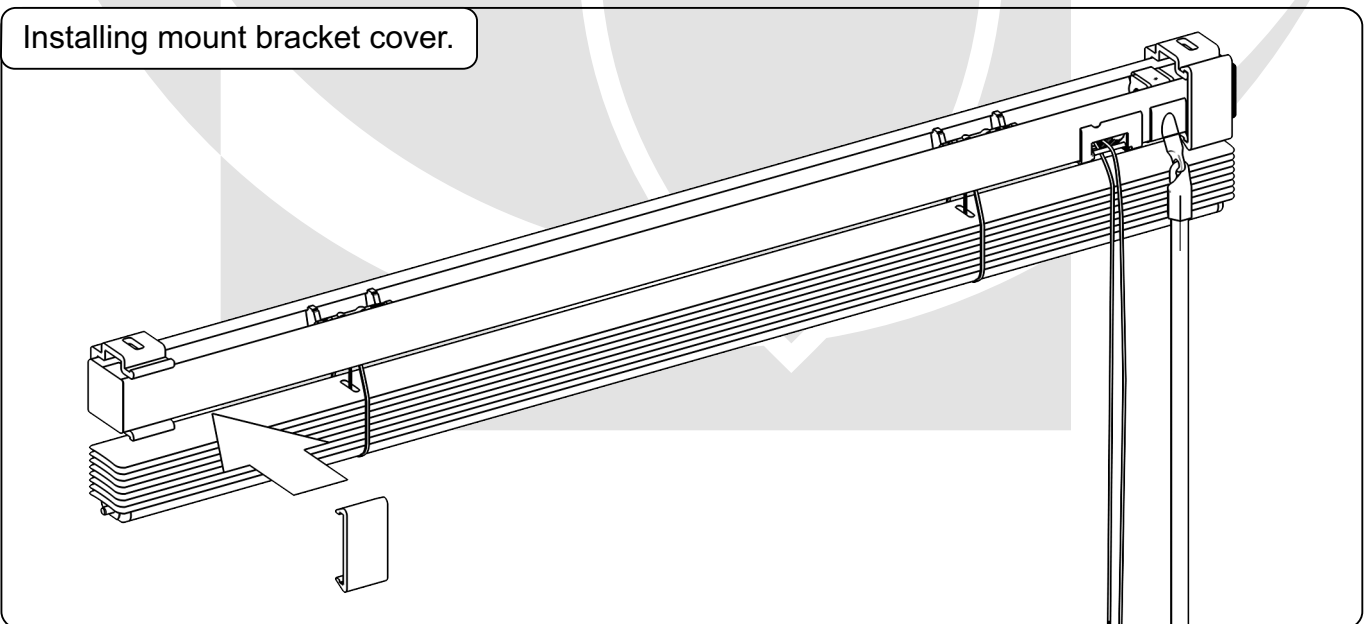
Installing plastic mount brackets - ceiling.



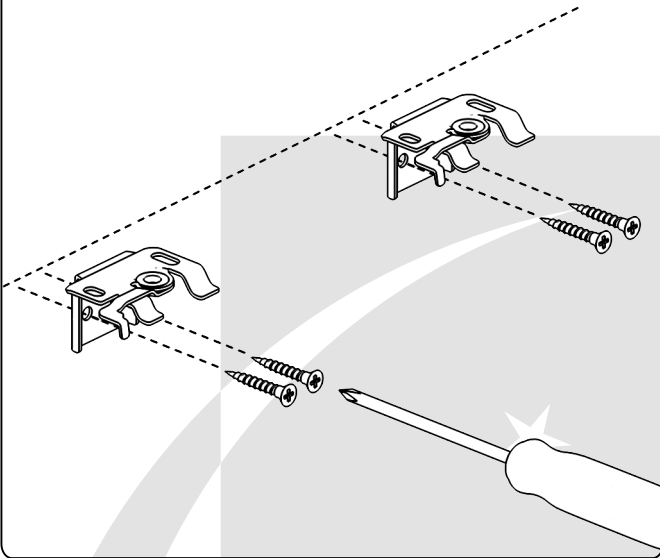
Installing venetian blinds.



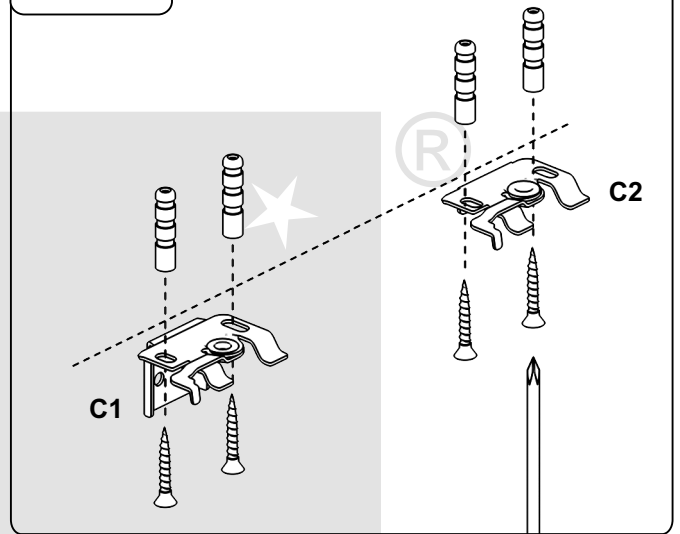
Installing mount bracket cover.



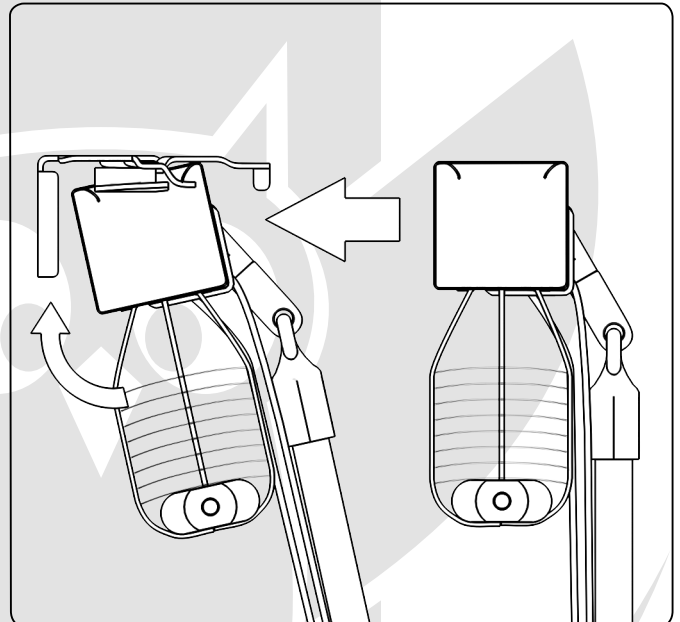
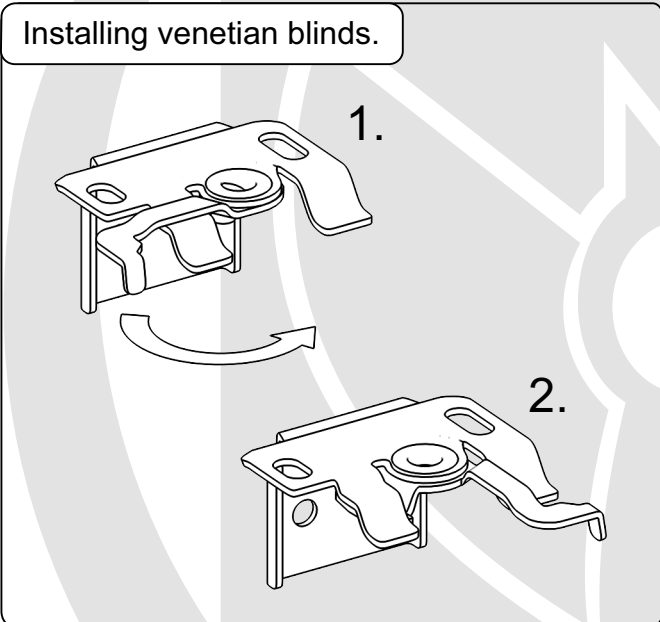
Installing C1 twist type mount brackets - wall.



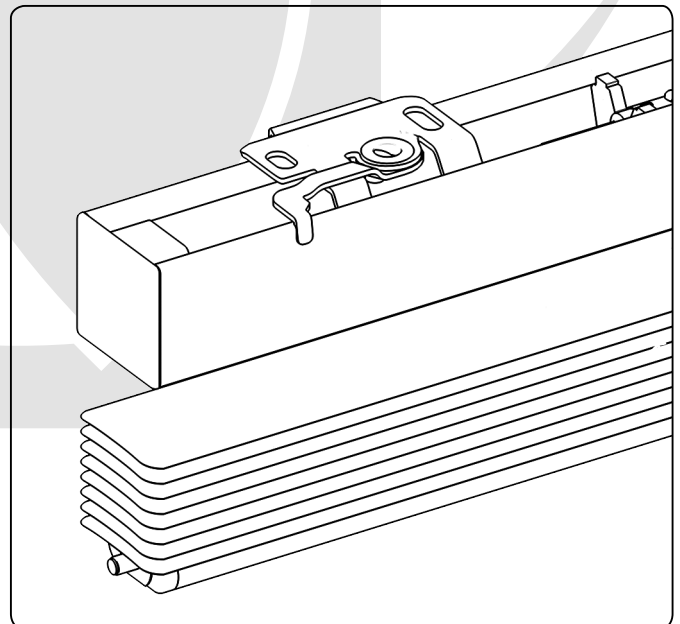
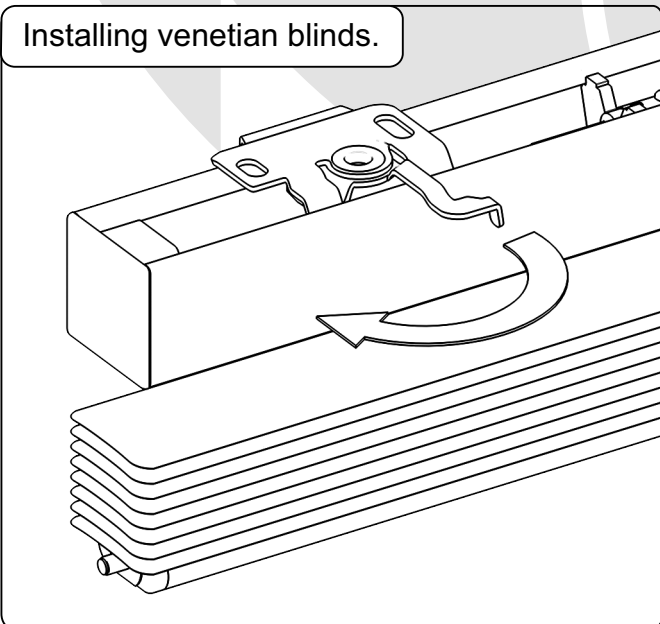
Installing C1/C2 twist type mount brackets - ceiling.



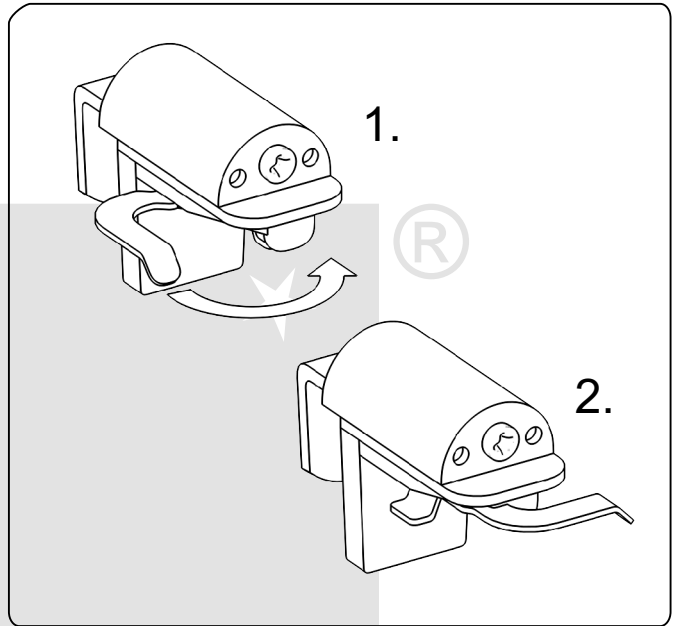
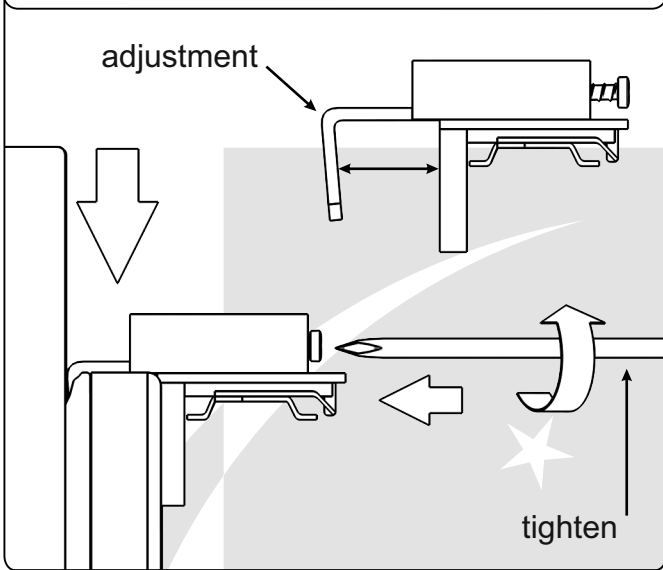
Installing venetian blinds.



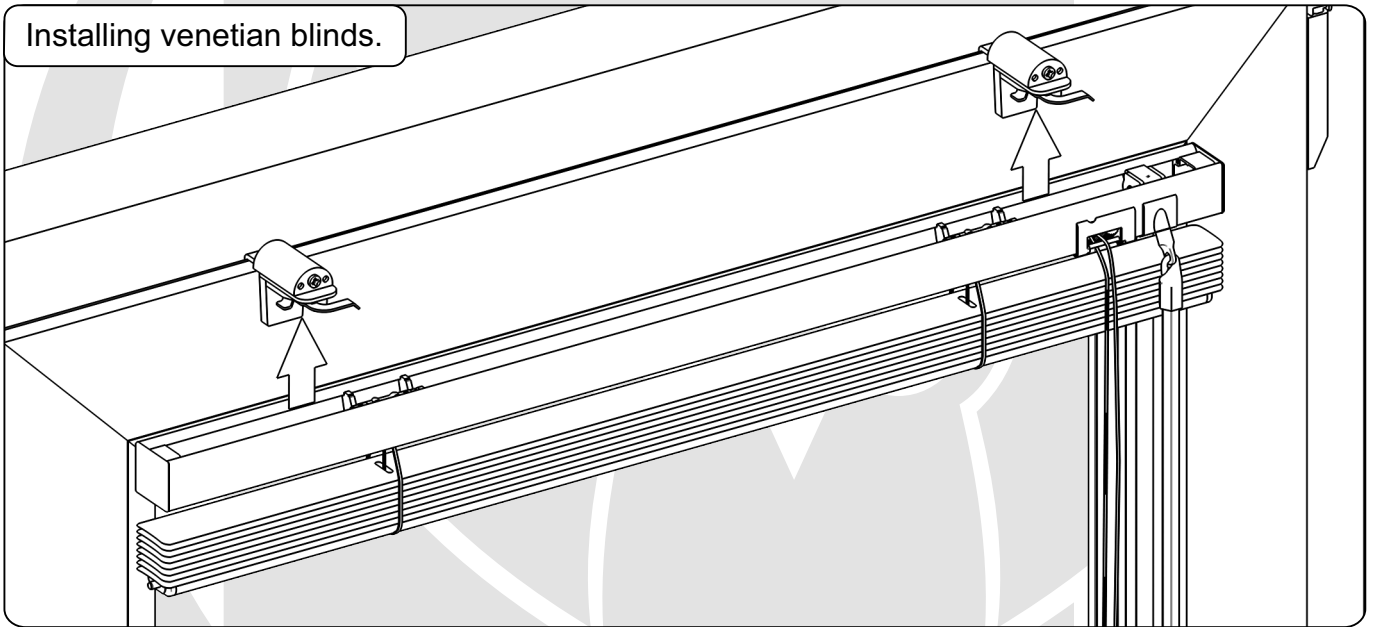
Installing venetian blinds.



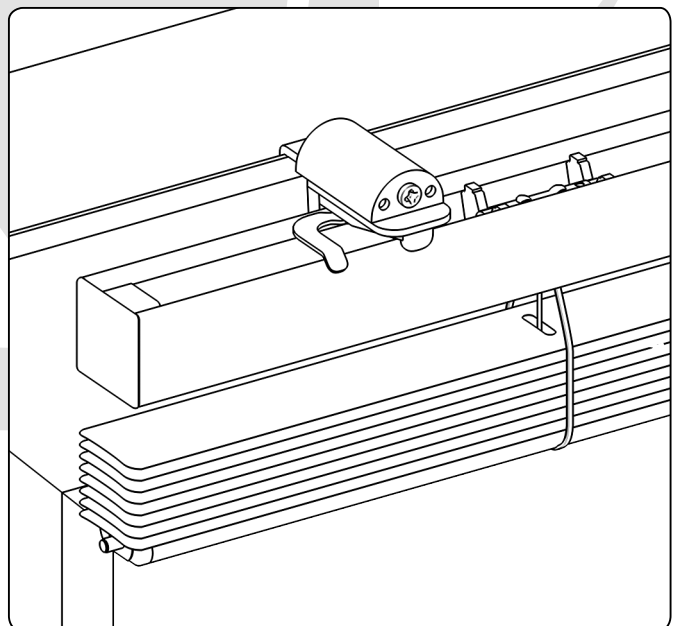
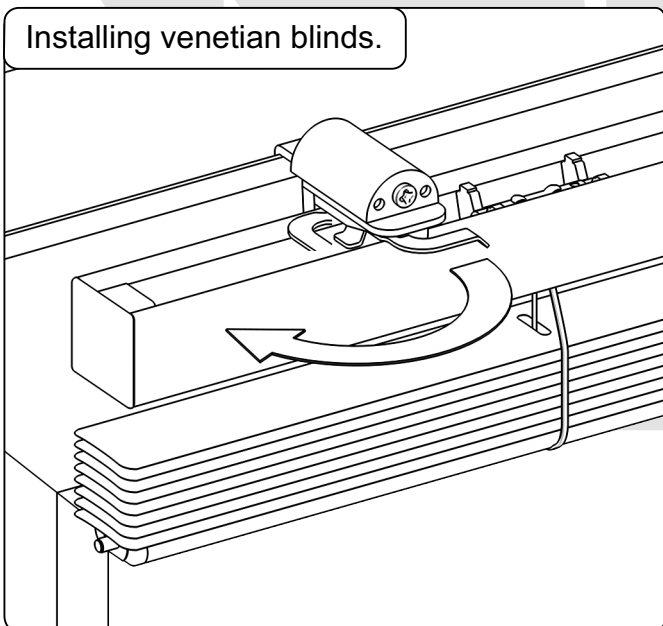
Installing non-invasive mount brackets - wall.



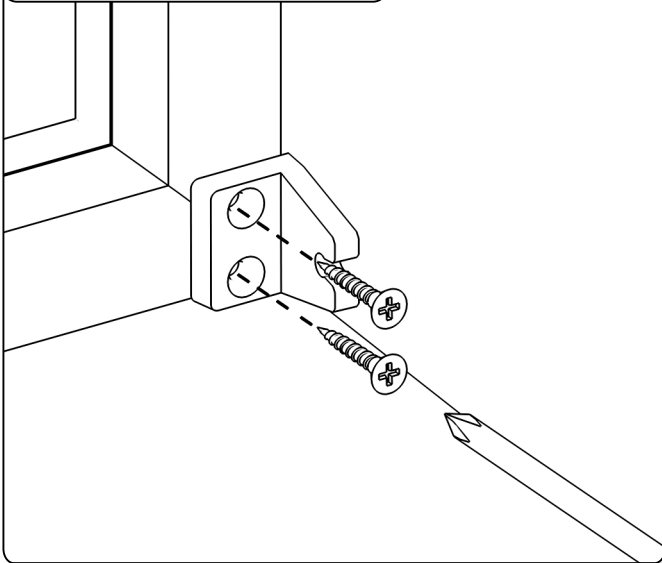
Installing venetian blinds.



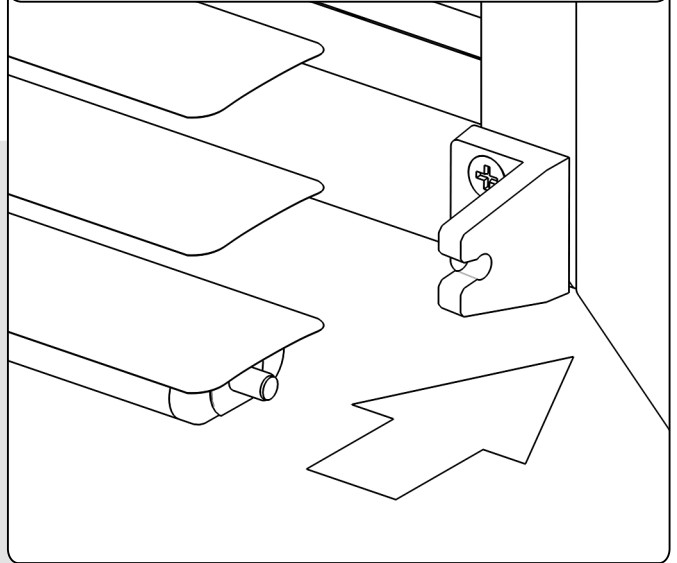
Installing venetian blinds.



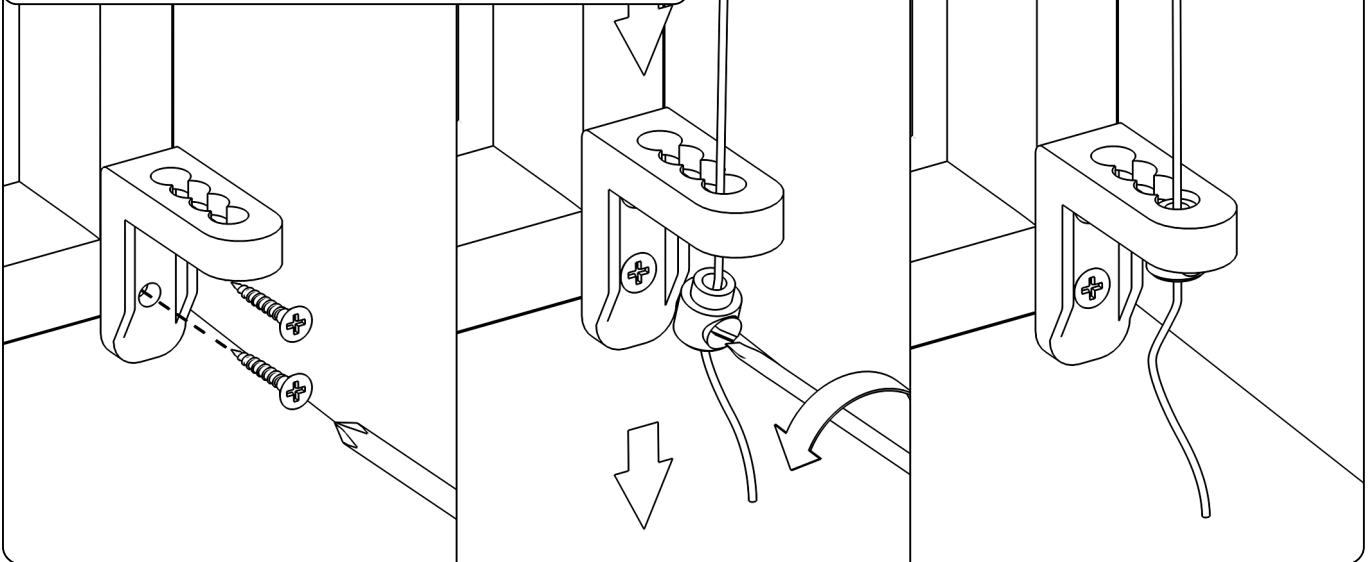
Installing bottom mount.



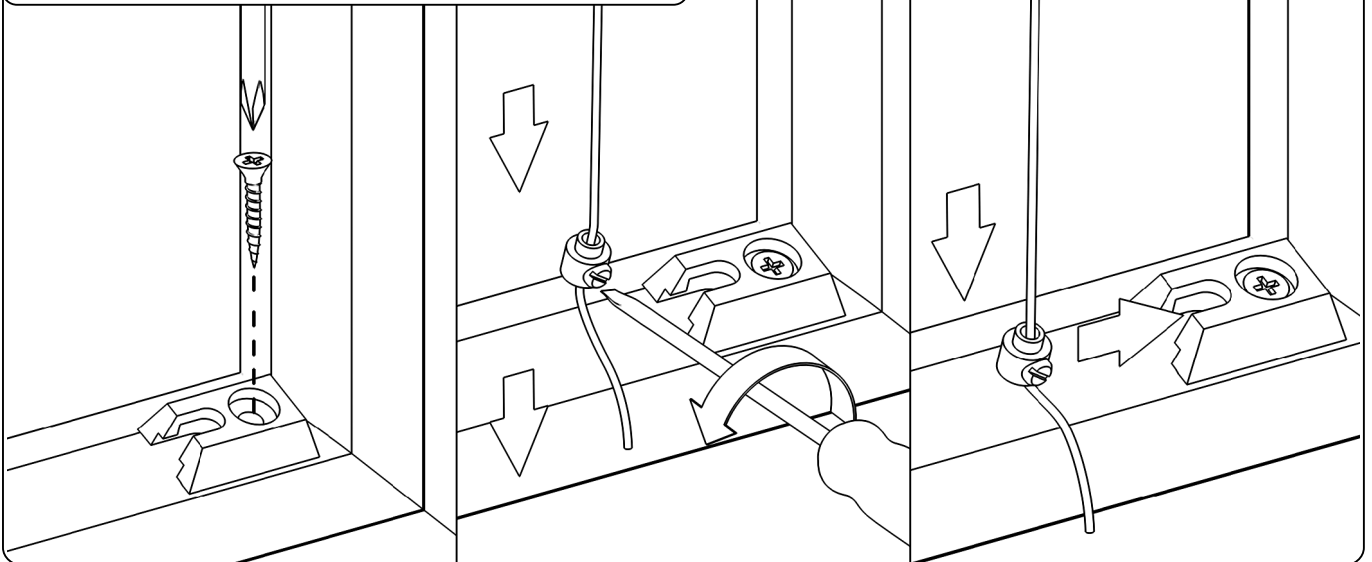
Installing venetian blind to the bottom mount.



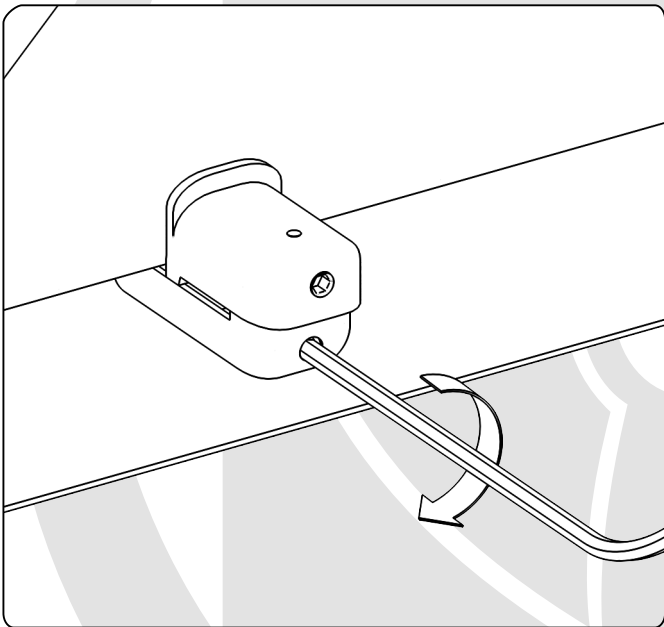
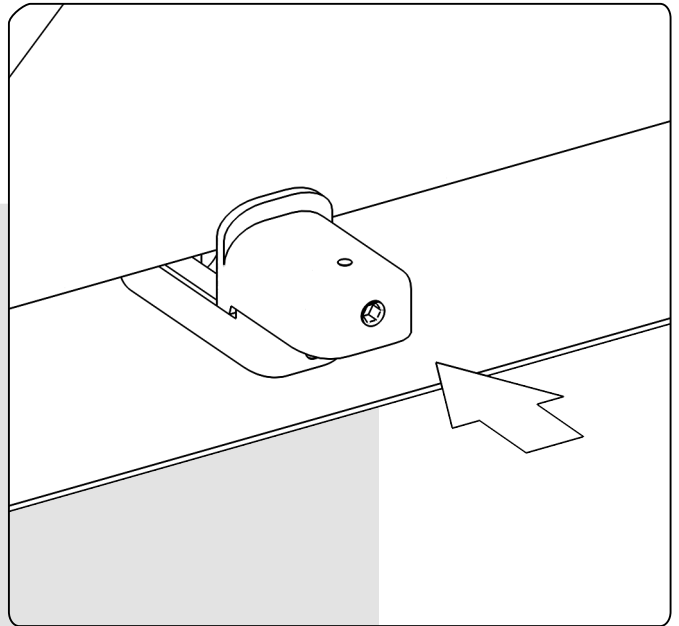
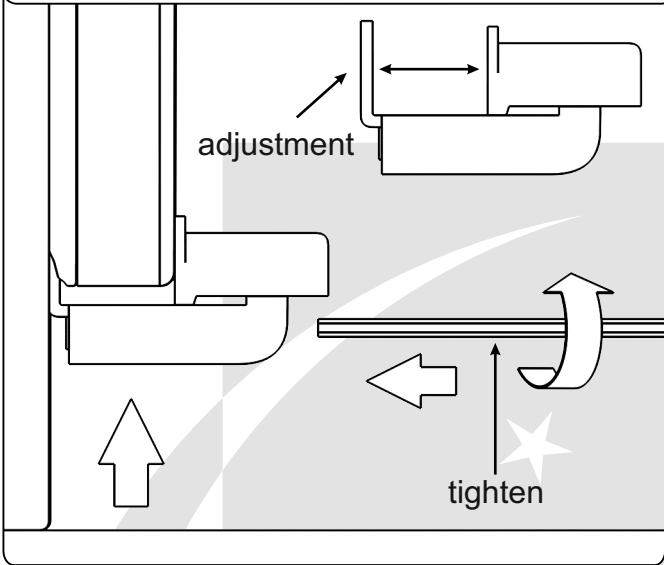
Installing string bottom type B mount bracket.



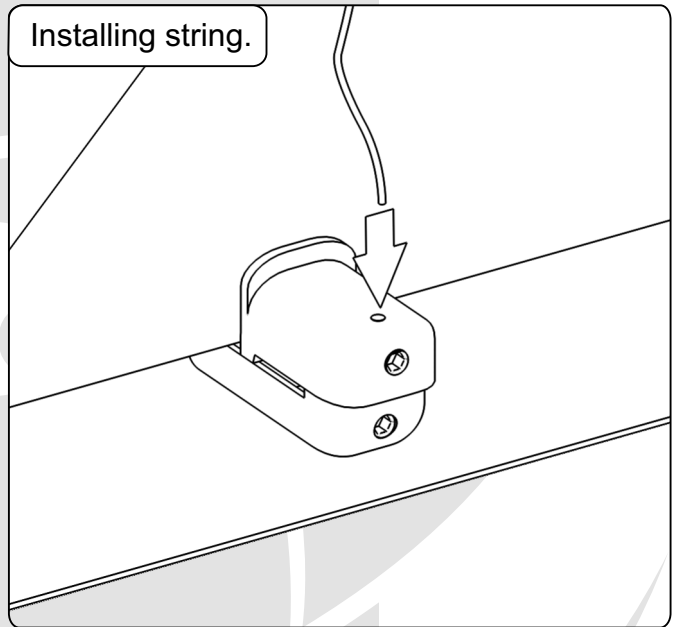
Installing string bottom type C mount bracket.



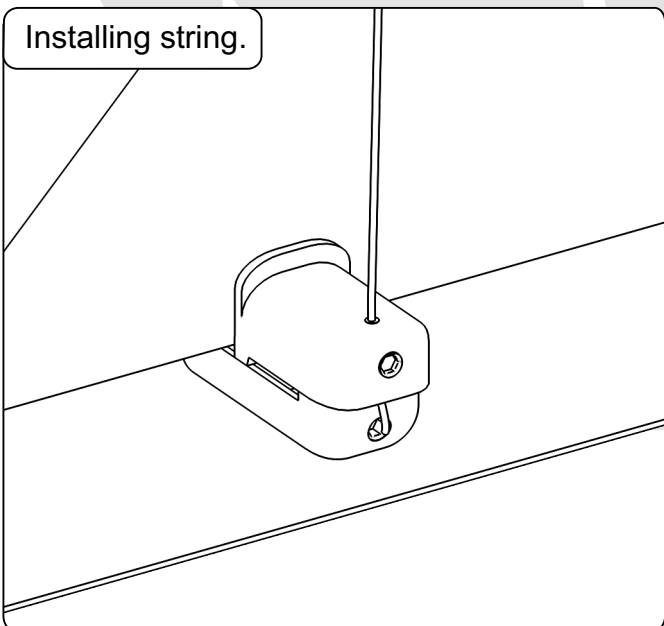
Installing string bottom type D mount bracket.



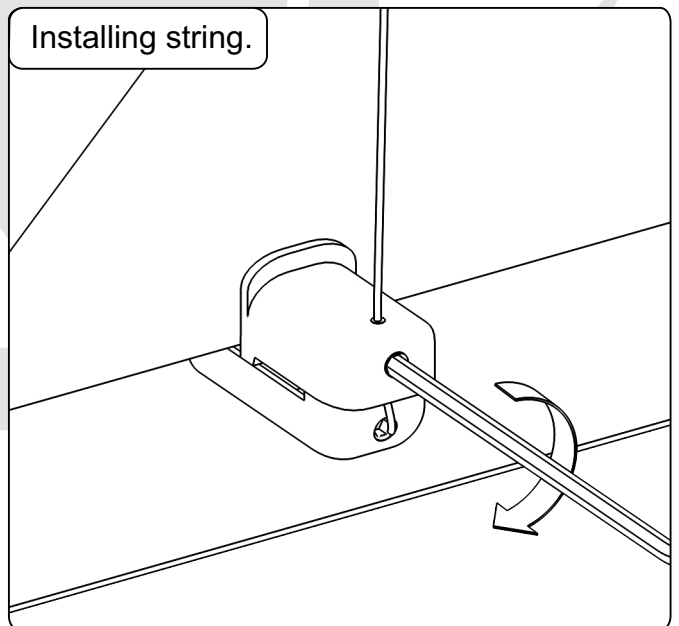
Installing string.



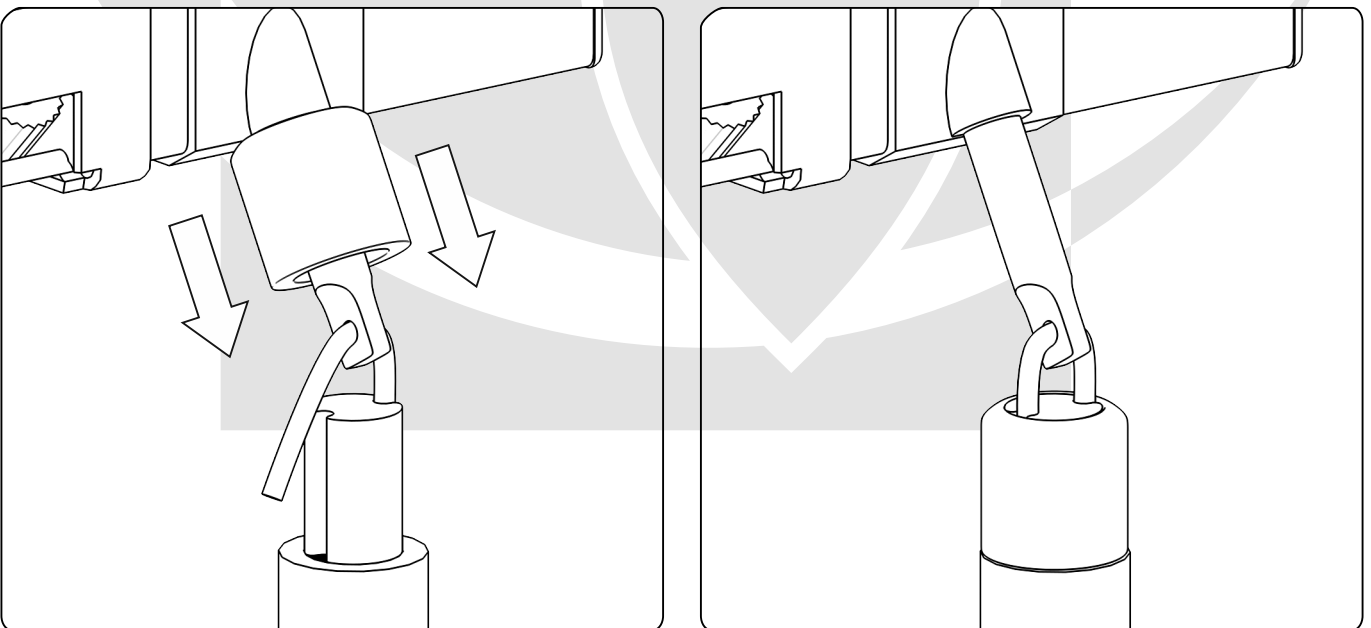
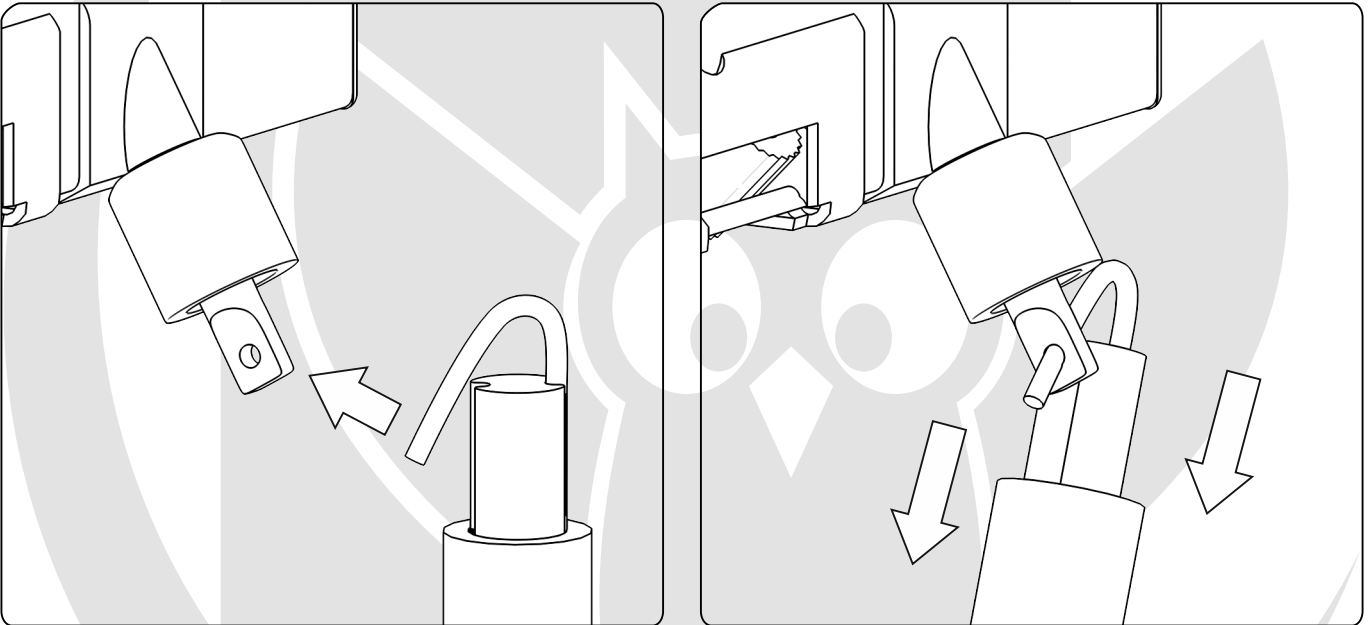
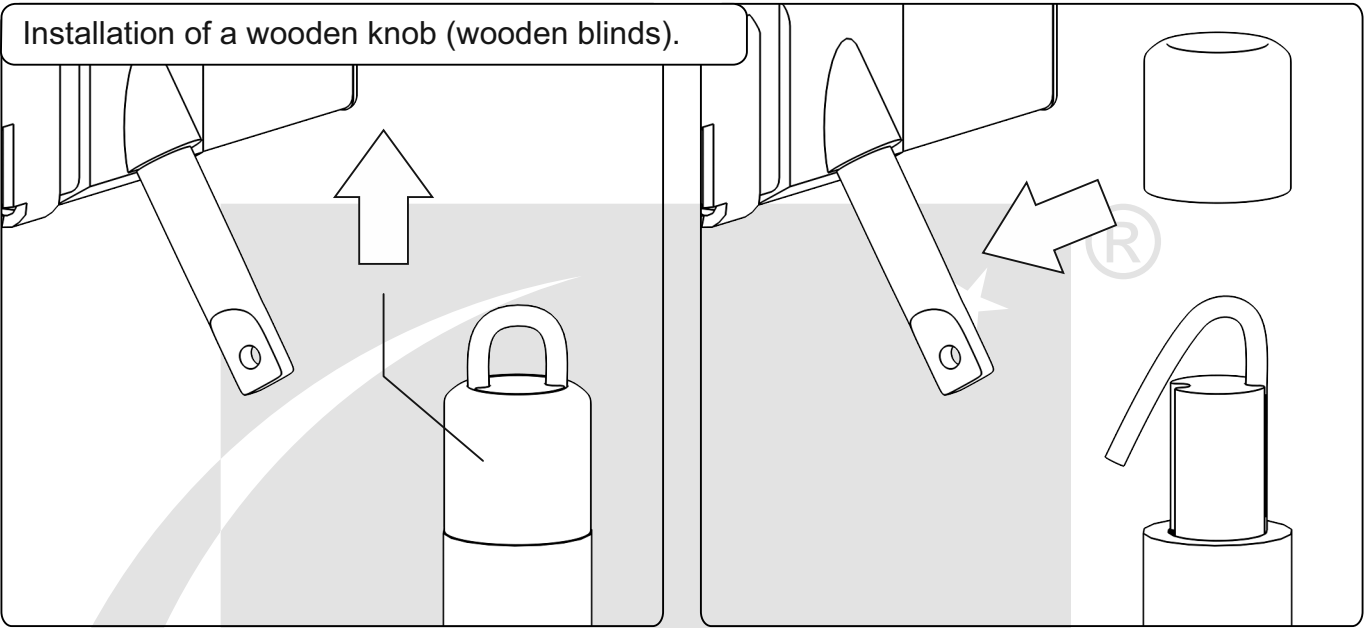
Installing string.



Installing string.

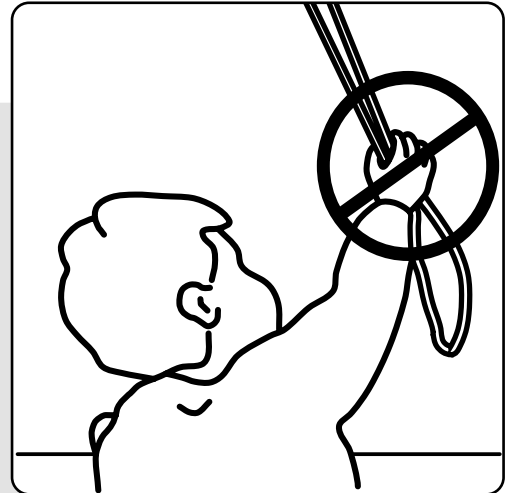


Installation of a wooden knob (wooden blinds).



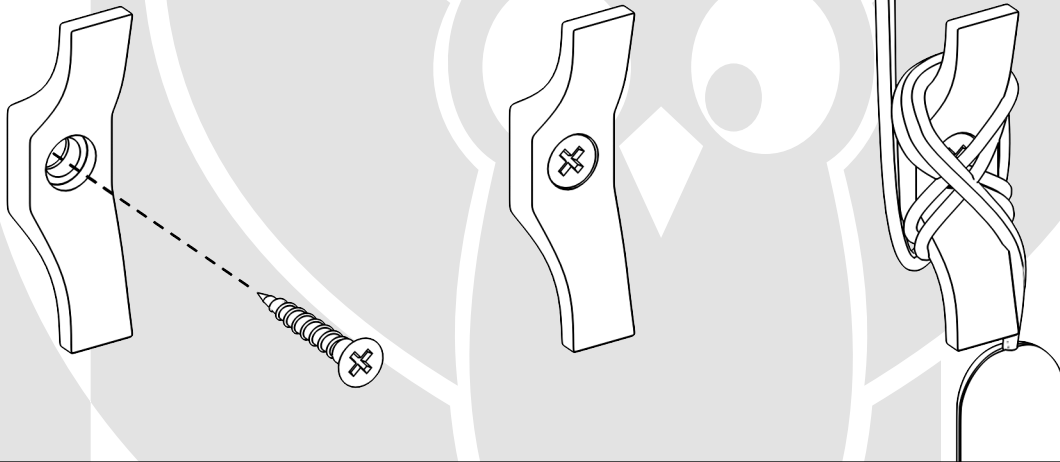
WARNING!

Small children can be strangled in the loops of cords, chains or belts used to operate venetian blinds. Children can also wrap cords around their necks. Cords must be kept out of reach of children to avoid entanglement and strangulation. Move beds, cots and furniture away from window covering cords and chains.

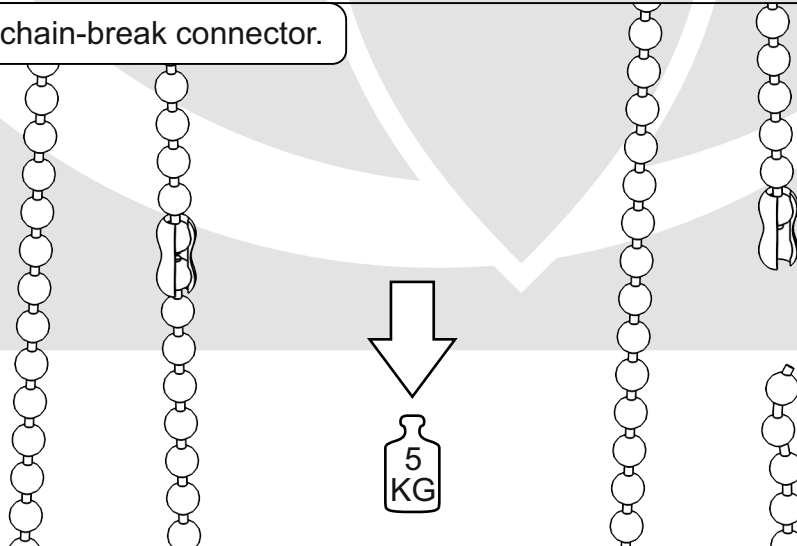


To prevent accidental strangulation, all venetian blinds are fitted with a cleat hook or a chain-break connector as per **EN 13120:2009+A1:2014**.

String operated - cleat hook.



Chain operated - chain-break connector.





Fart Produkt Sp. z o. o. Sp. k.
ul. Towarowa 3, 87-100 Toruń
tel. +48 56 623 55 77
e-mail: export@fartprodukt.pl
www.fartprodukt.pl