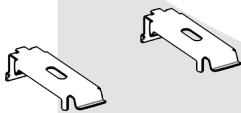
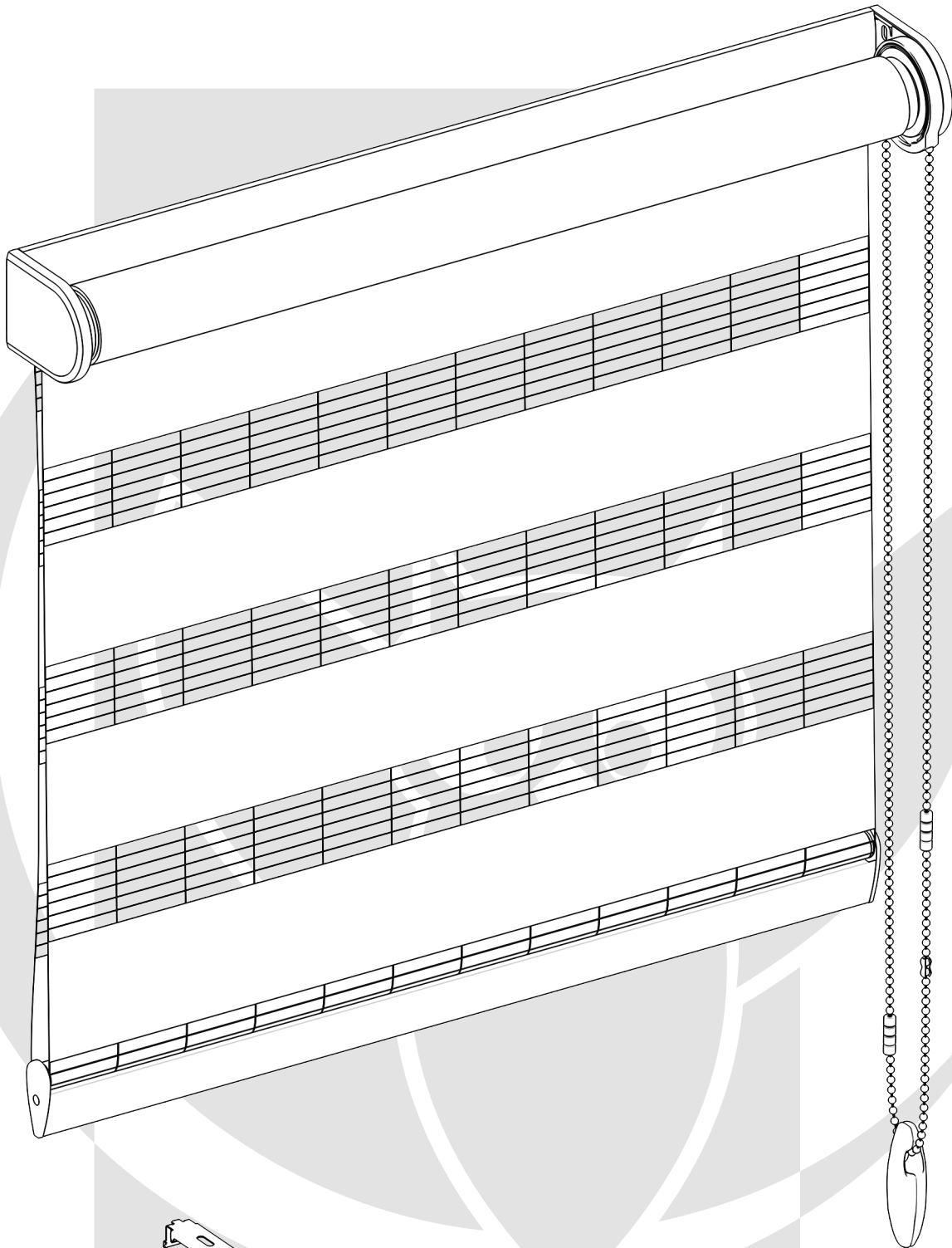




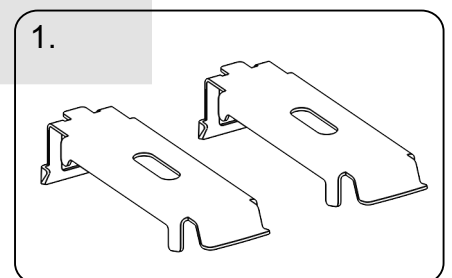
Installation instructions

Fabric roller blind Ø42 "Day and Night"

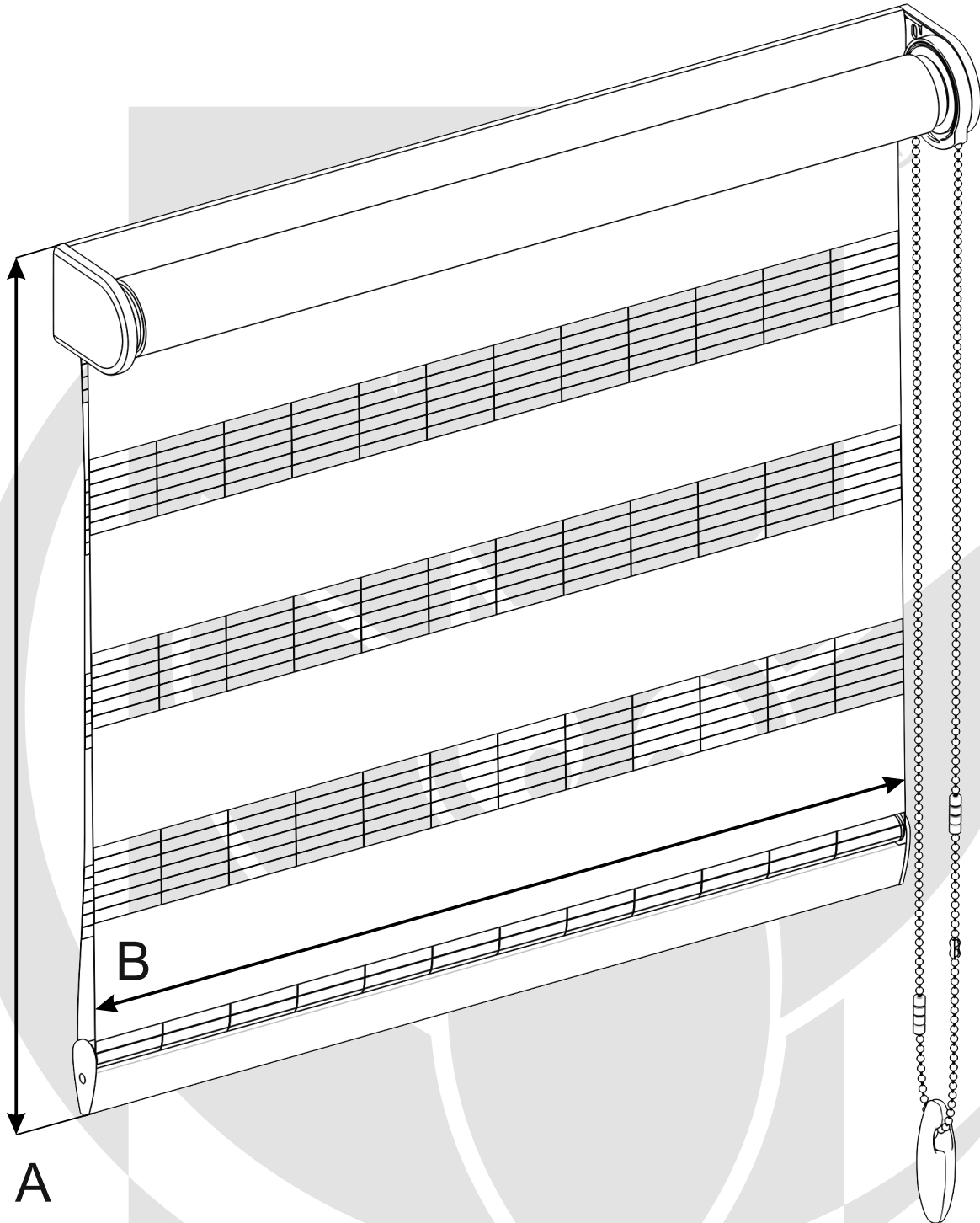
Packaging content:



1. Mounting brackets.

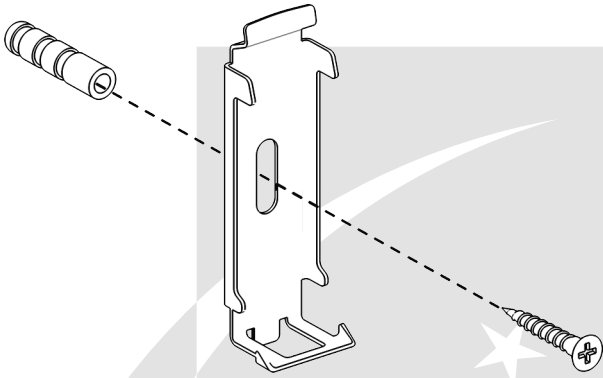


Measurements.

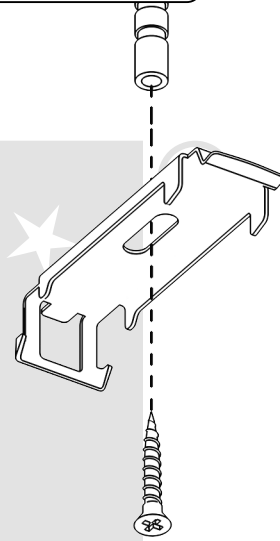


A - roller blind height.
B - fabric width specified when ordering. The difference between overall width and fabric width is: 37 mm.

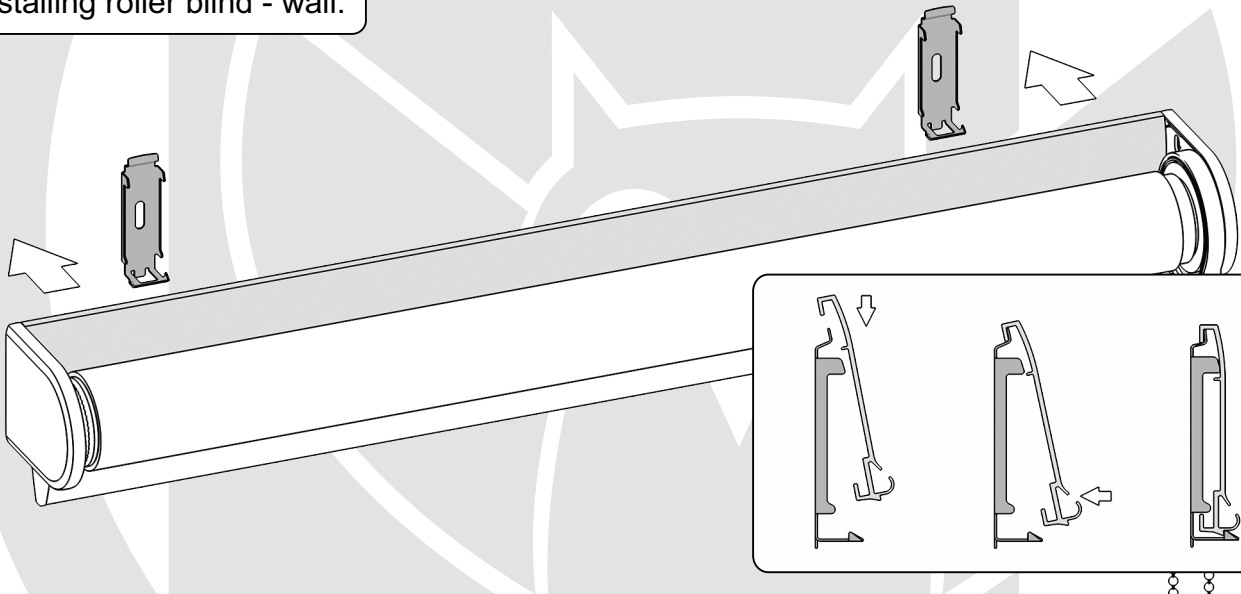
Installing brackets - wall.



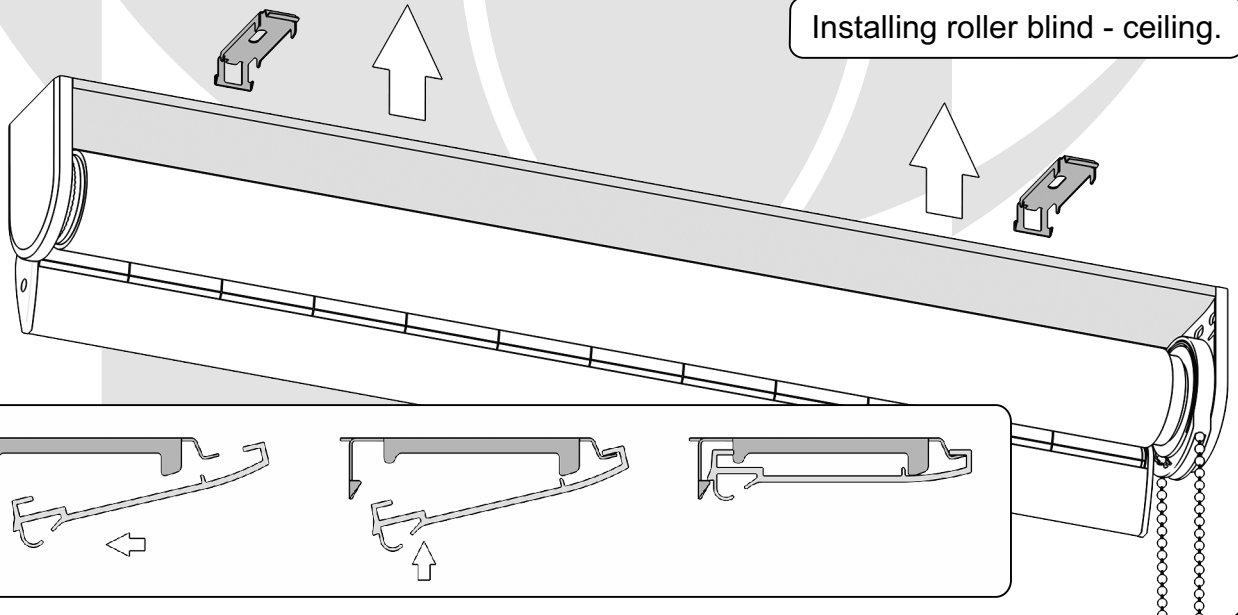
Installing brackets - ceiling.



Installing roller blind - wall.

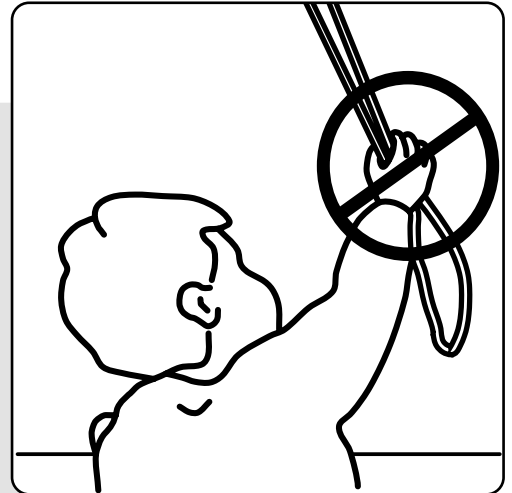


Installing roller blind - ceiling.

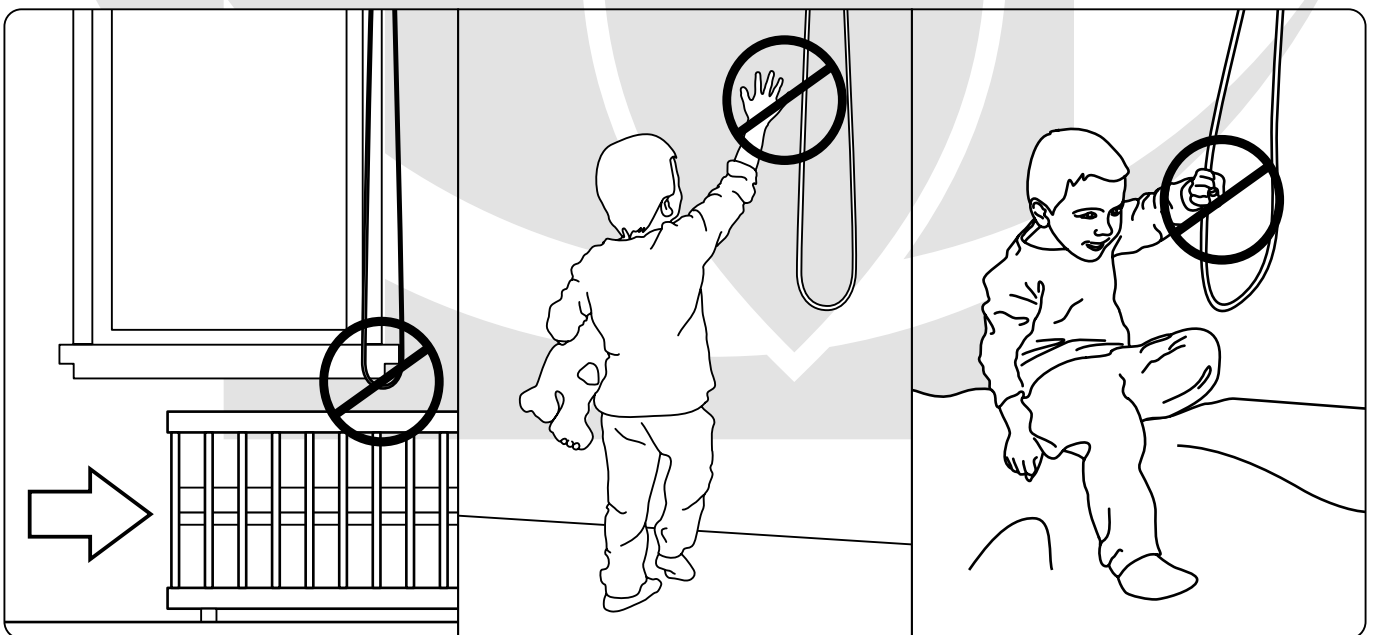
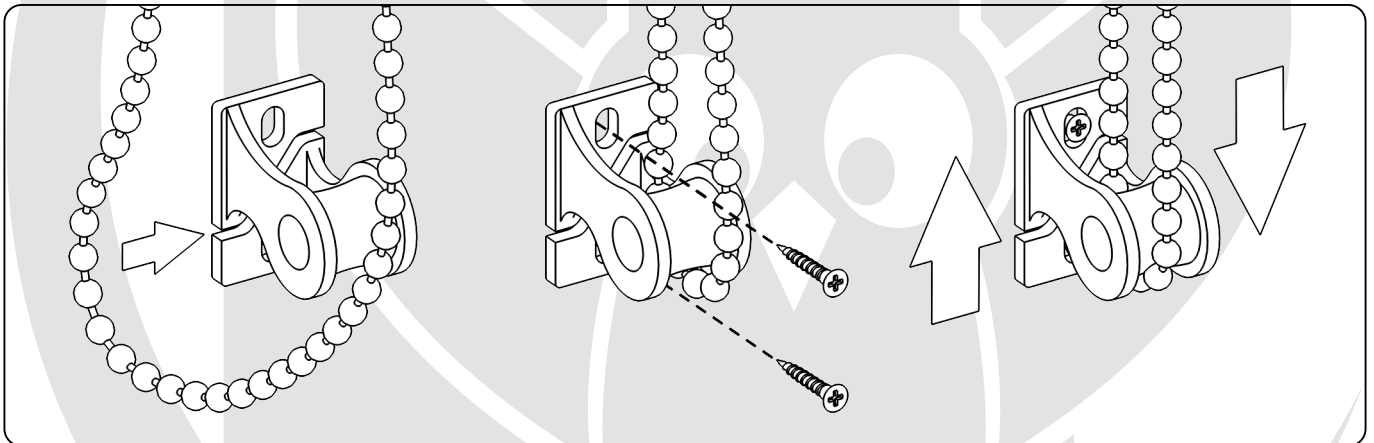


WARNING!

Small children can be strangled in the loops of cords, chains or belts used to operate roller blinds. Children can also wrap cords around their necks. Cords must be kept out of reach of children to avoid entanglement and strangulation. Move beds, cots and furniture away from window covering cords and chains.



To prevent accidental strangulation, all Vertical blinds are fitted with a tensioner, as per: **EN 13120:2009+A1:2014**.





Fart Produkt Sp. z o. o. Sp. k.
ul. Towarowa 3, 87-100 Toruń
tel. +48 56 623 55 77
e-mail: export@fartprodukt.pl
www.fartprodukt.pl