

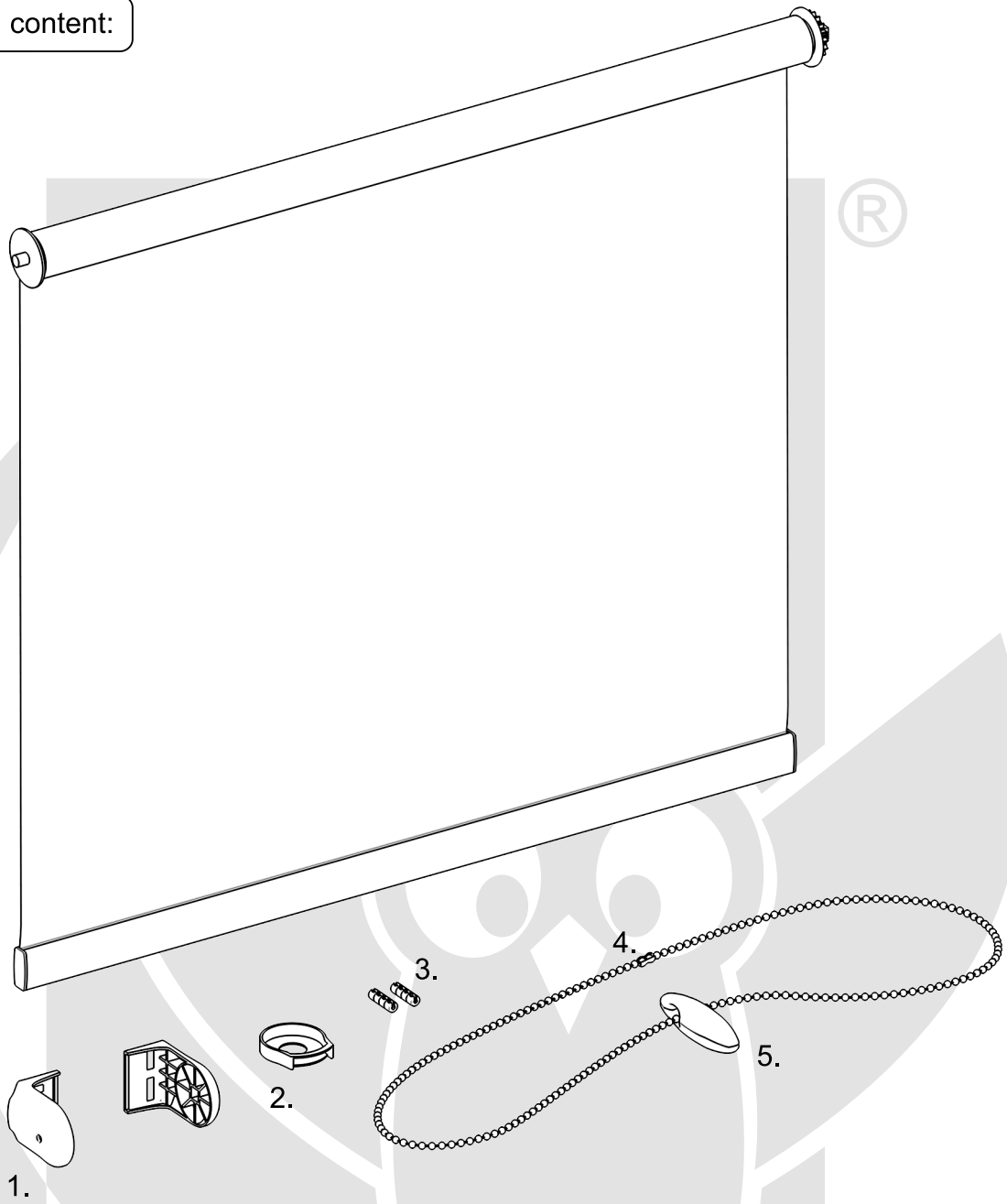


# Installation instructions

---

Standard fabric roller blind Ø 25

Packaging content:



1.



2.



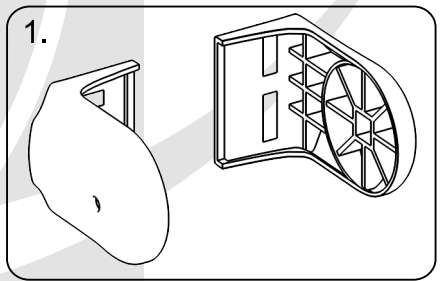
3.

4.

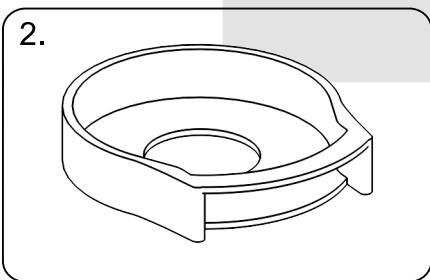
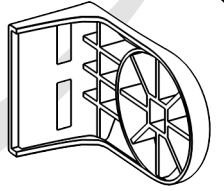


5.

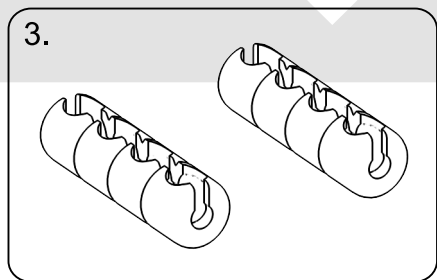
- 1. Sides / brackets.
- 2. Chain cap.
- 3. Chain connectors.
- 4. Chain-break connector.
- 5. Chain weight.



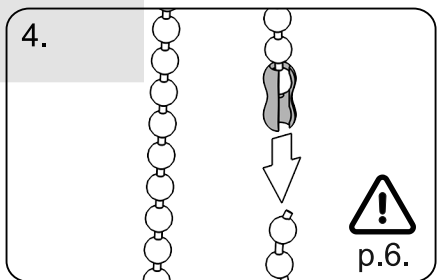
1.



2.



3.

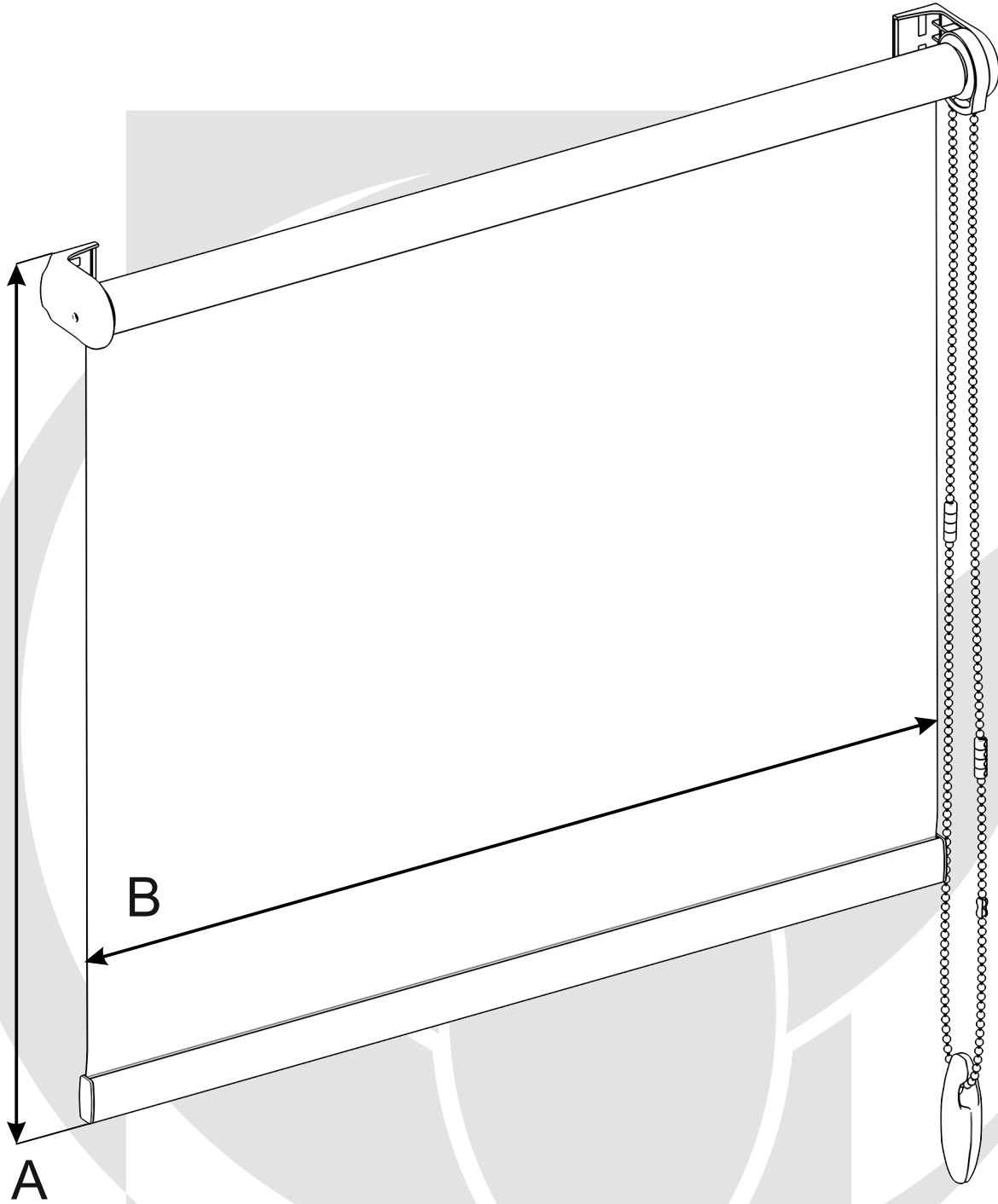


4.



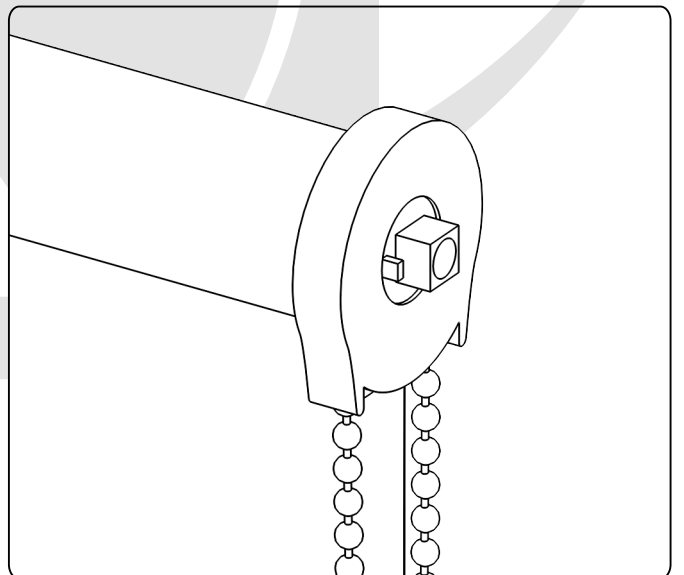
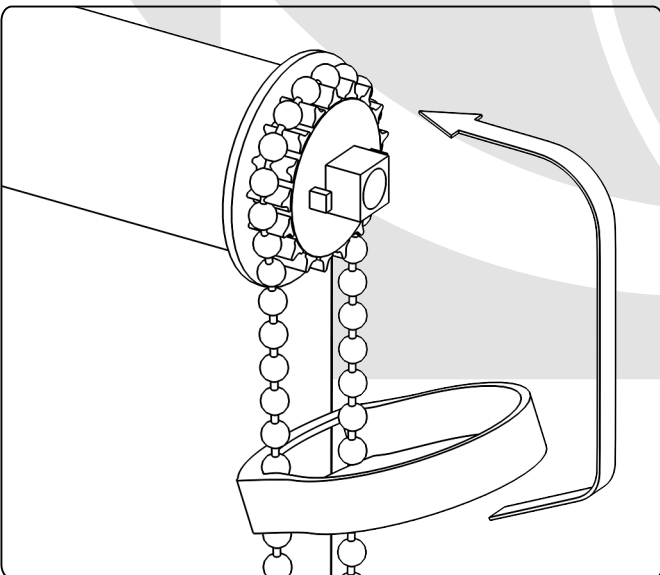
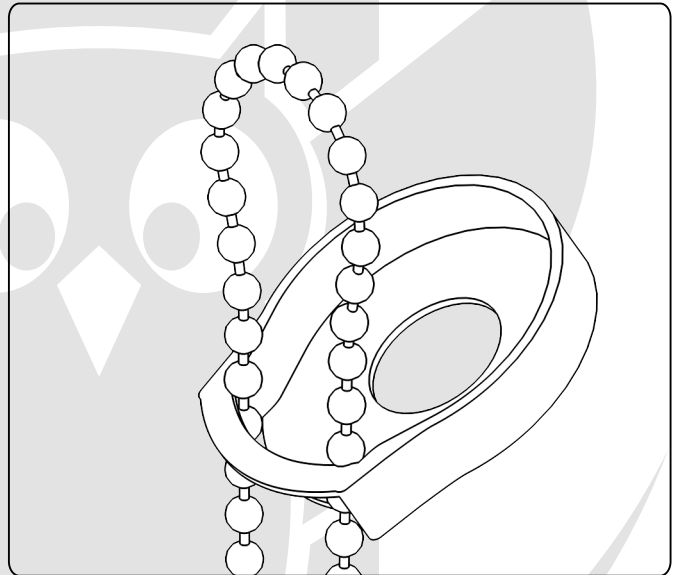
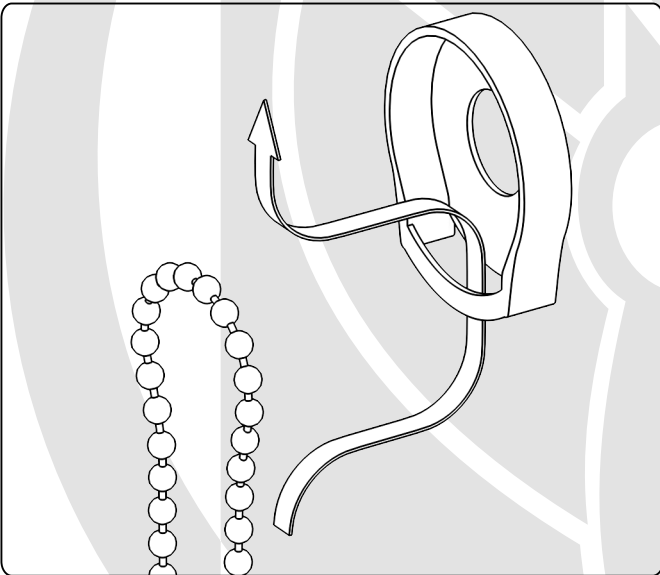
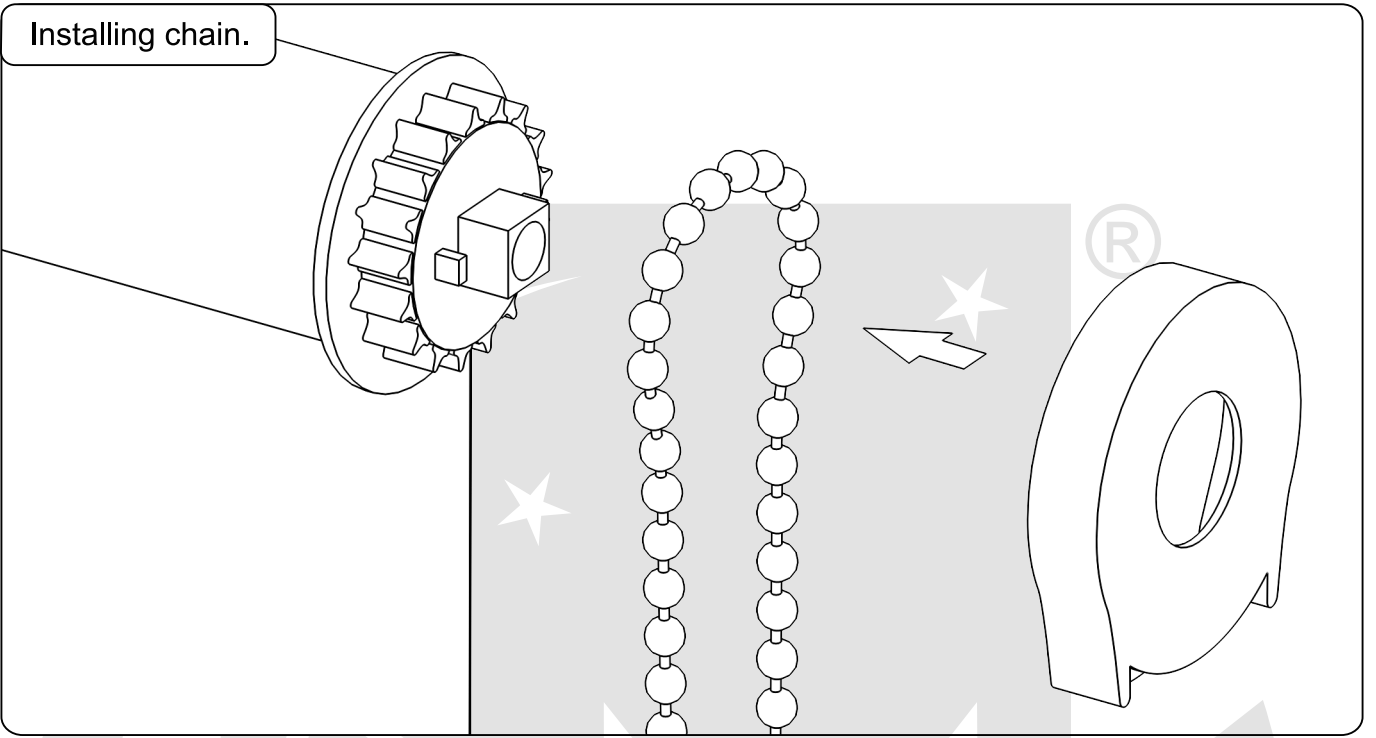
p.6.

Measurements.

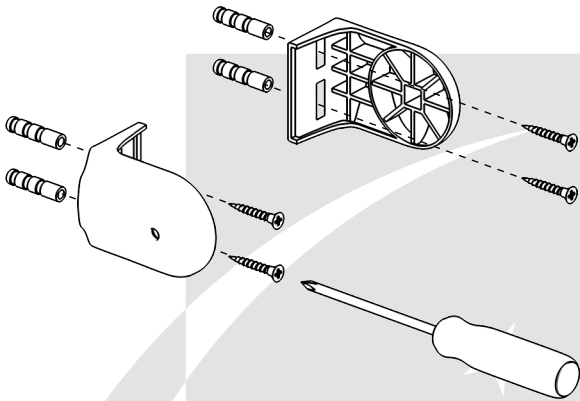


A - roller blind height.  
B - fabric width specified when ordering. The difference between overall width and fabric width is: 42 mm.

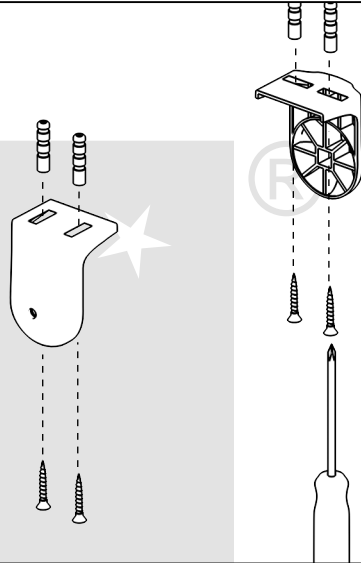
Installing chain.



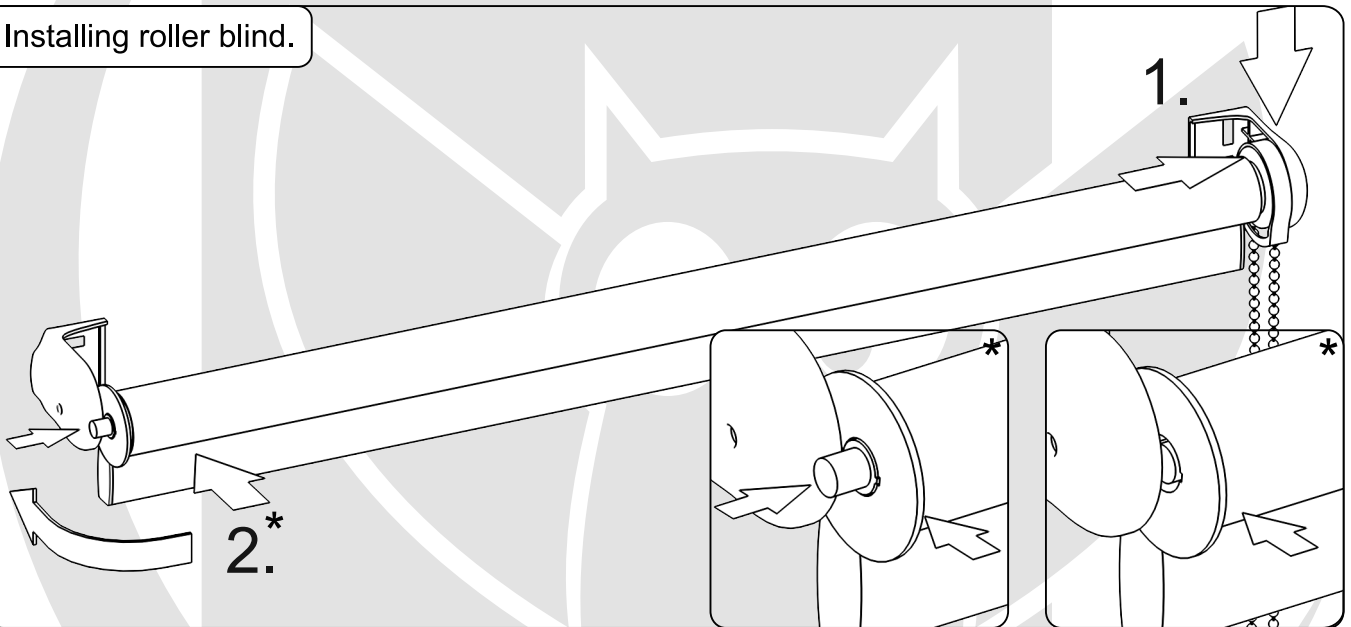
Installing sides / brackets - wall.



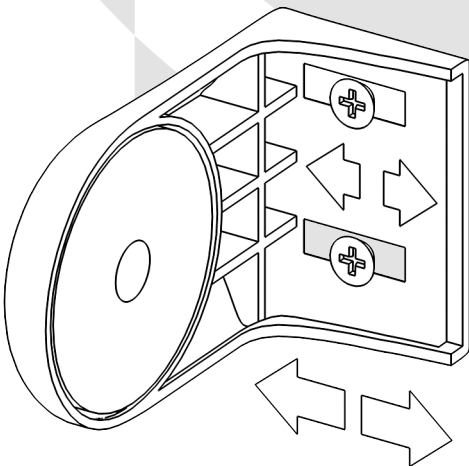
Installing sides / brackets - ceiling.



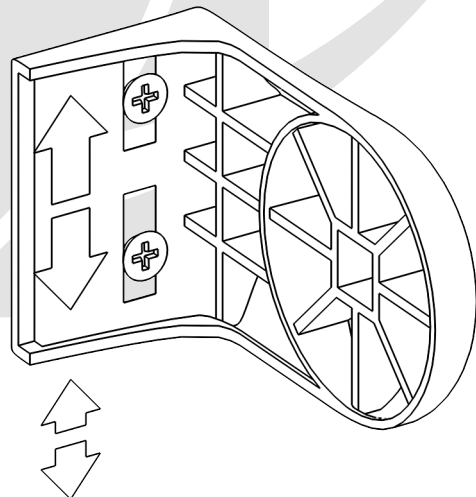
Installing roller blind.



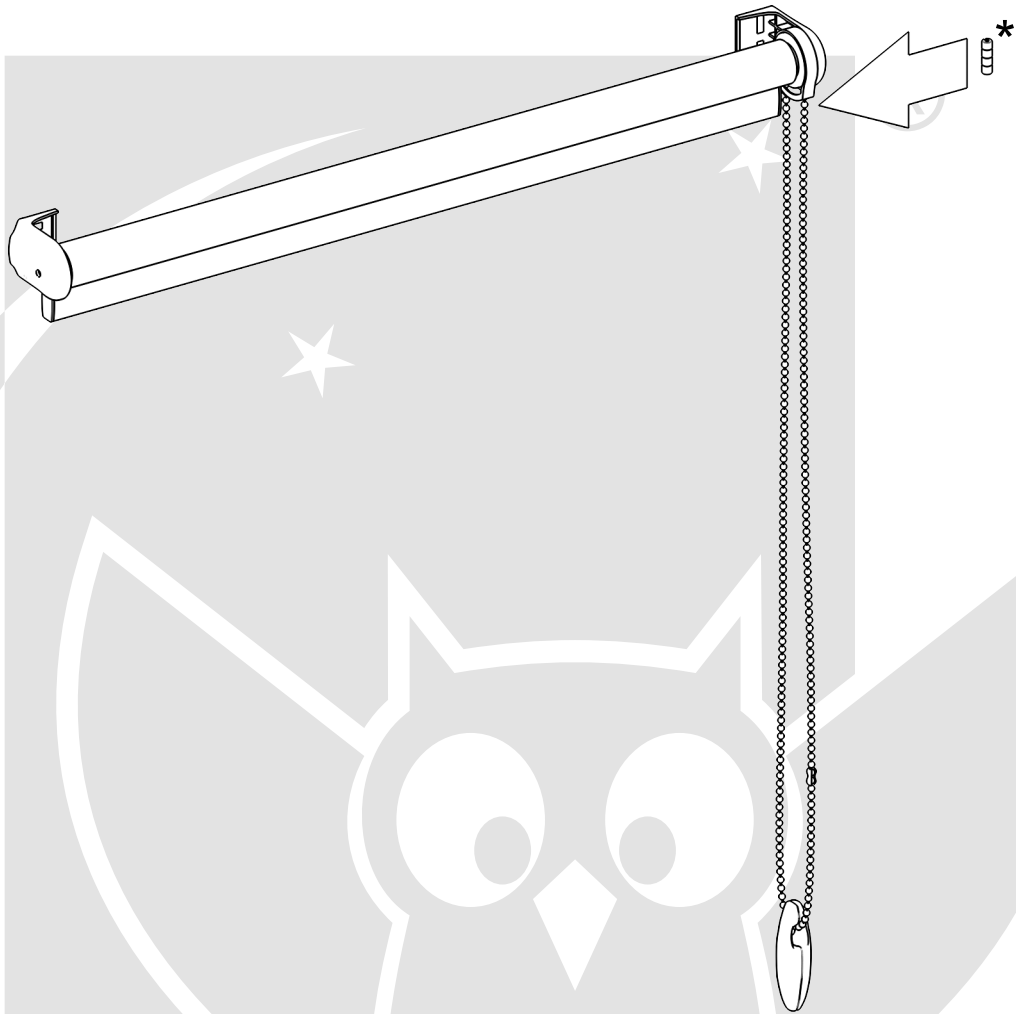
Adjusting side / bracket position - left.



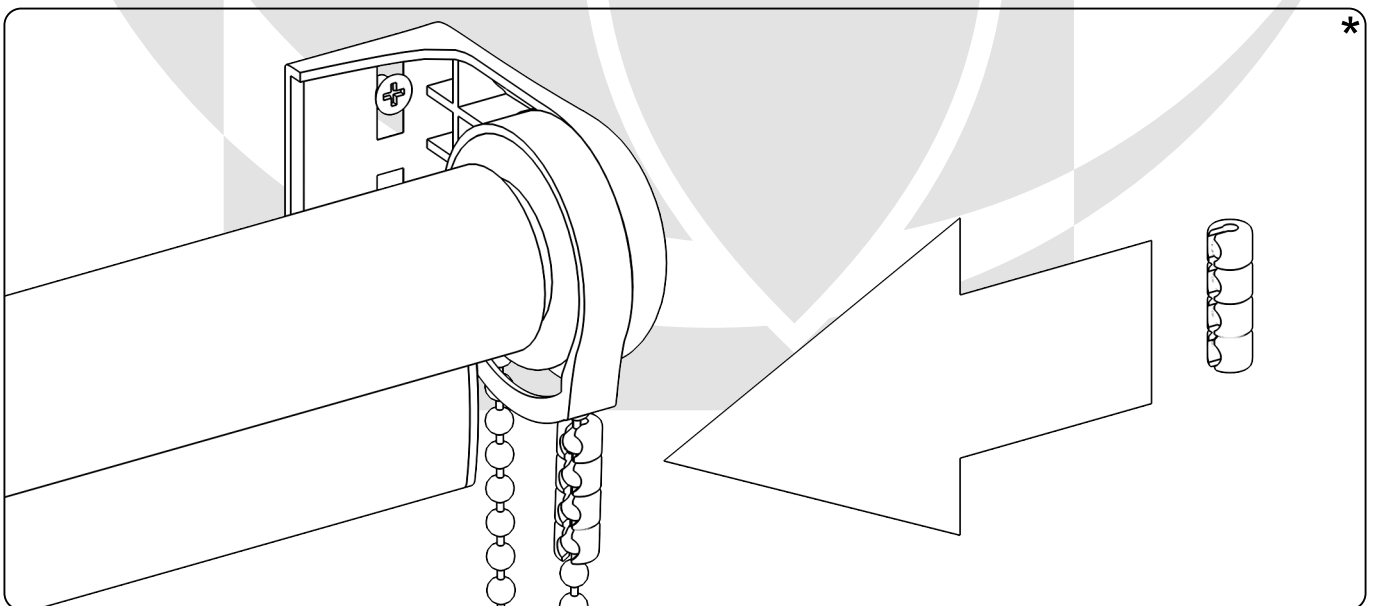
Adjusting side / bracket position - right.



Installing chain connectors.

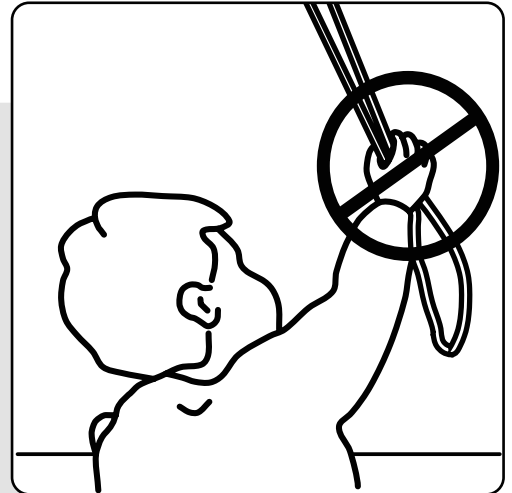


Set maximum top and bottom fabric position with the chain connectors.

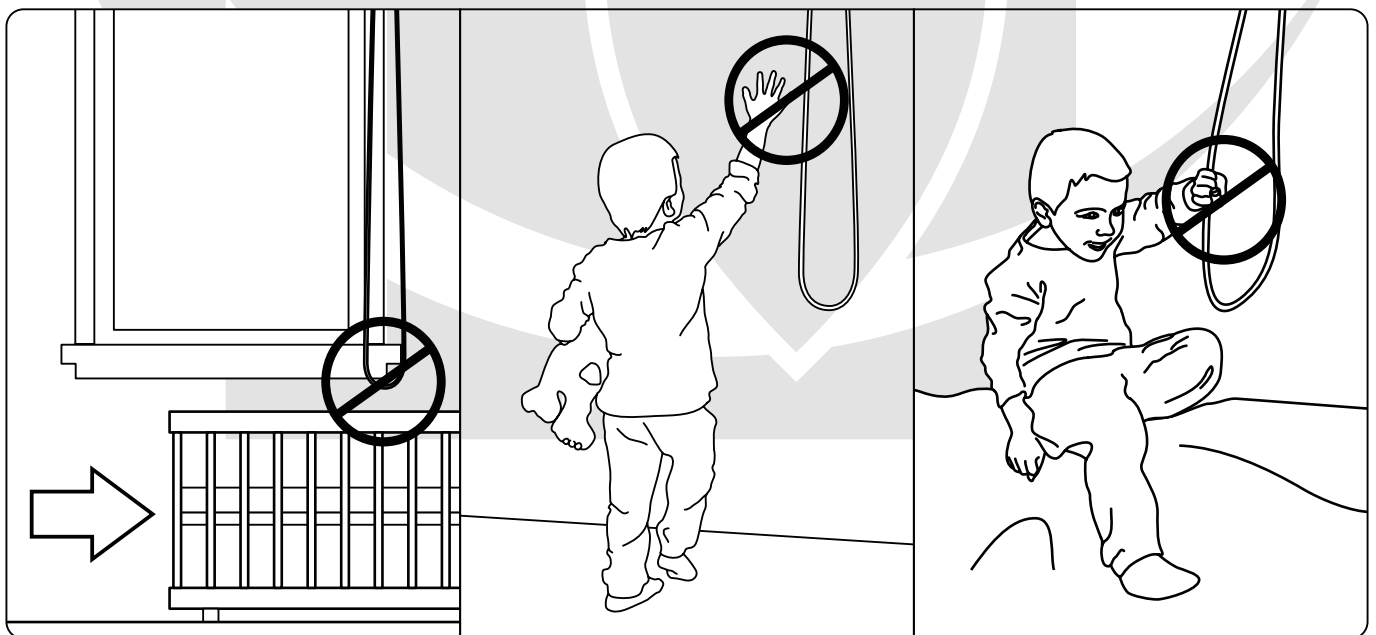
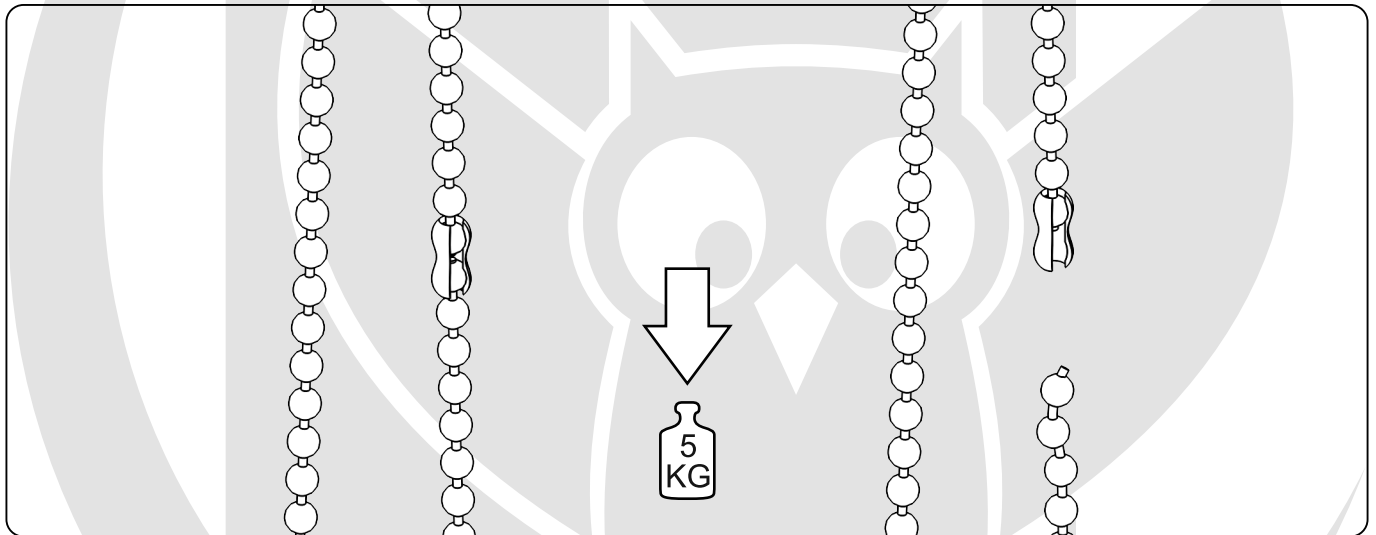


# WARNING!

Small children can be strangled in the loops of cords, chains or belts used to operate roller blinds. Children can also wrap cords around their necks. Cords must be kept out of reach of children to avoid entanglement and strangulation. Move beds, cots and furniture away from window covering cords and chains.



To prevent accidental strangulation, all roller blinds are fitted with a chain-break connector as per **EN 13120:2009+A1:2014**.





Fart Produkt Sp. z o. o. Sp. k.  
ul. Towarowa 3, 87-100 Toruń  
tel. +48 56 623 55 77  
e-mail: [export@fartprodukt.pl](mailto:export@fartprodukt.pl)  
[www.fartprodukt.pl](http://www.fartprodukt.pl)