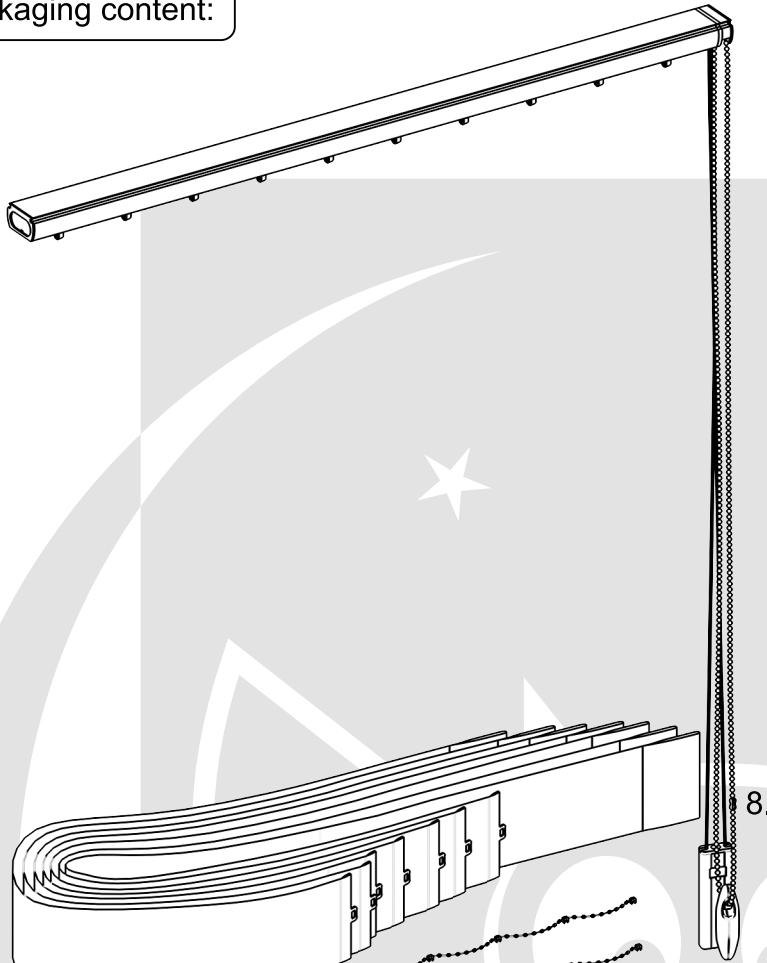




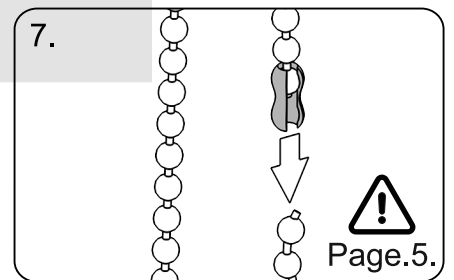
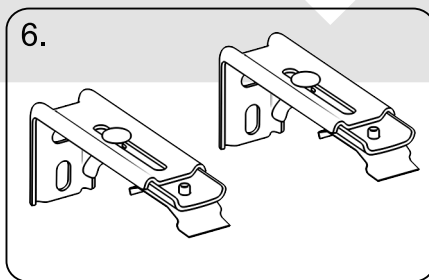
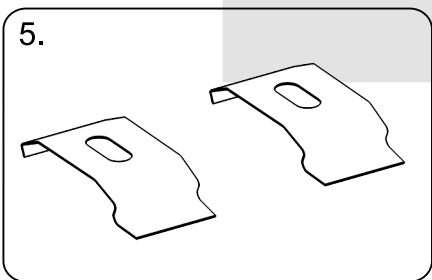
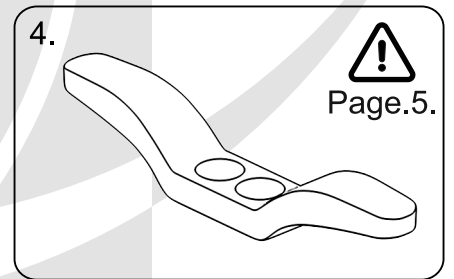
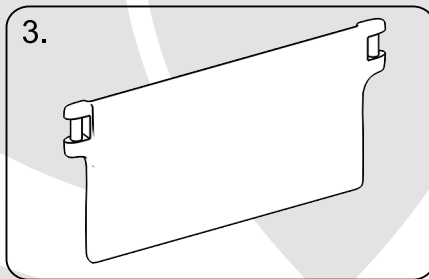
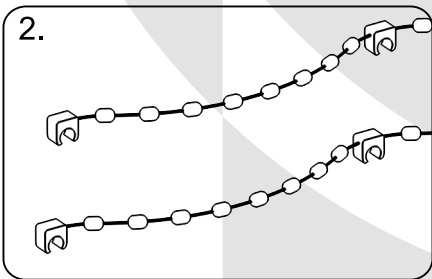
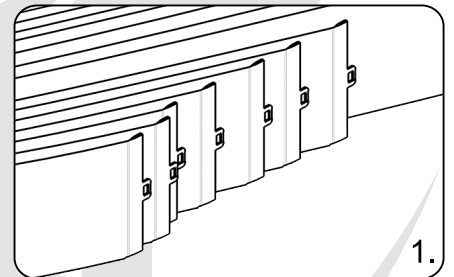
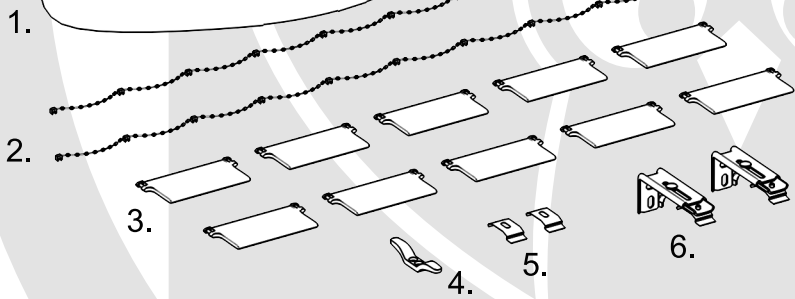
Installation instructions

Vertical blinds

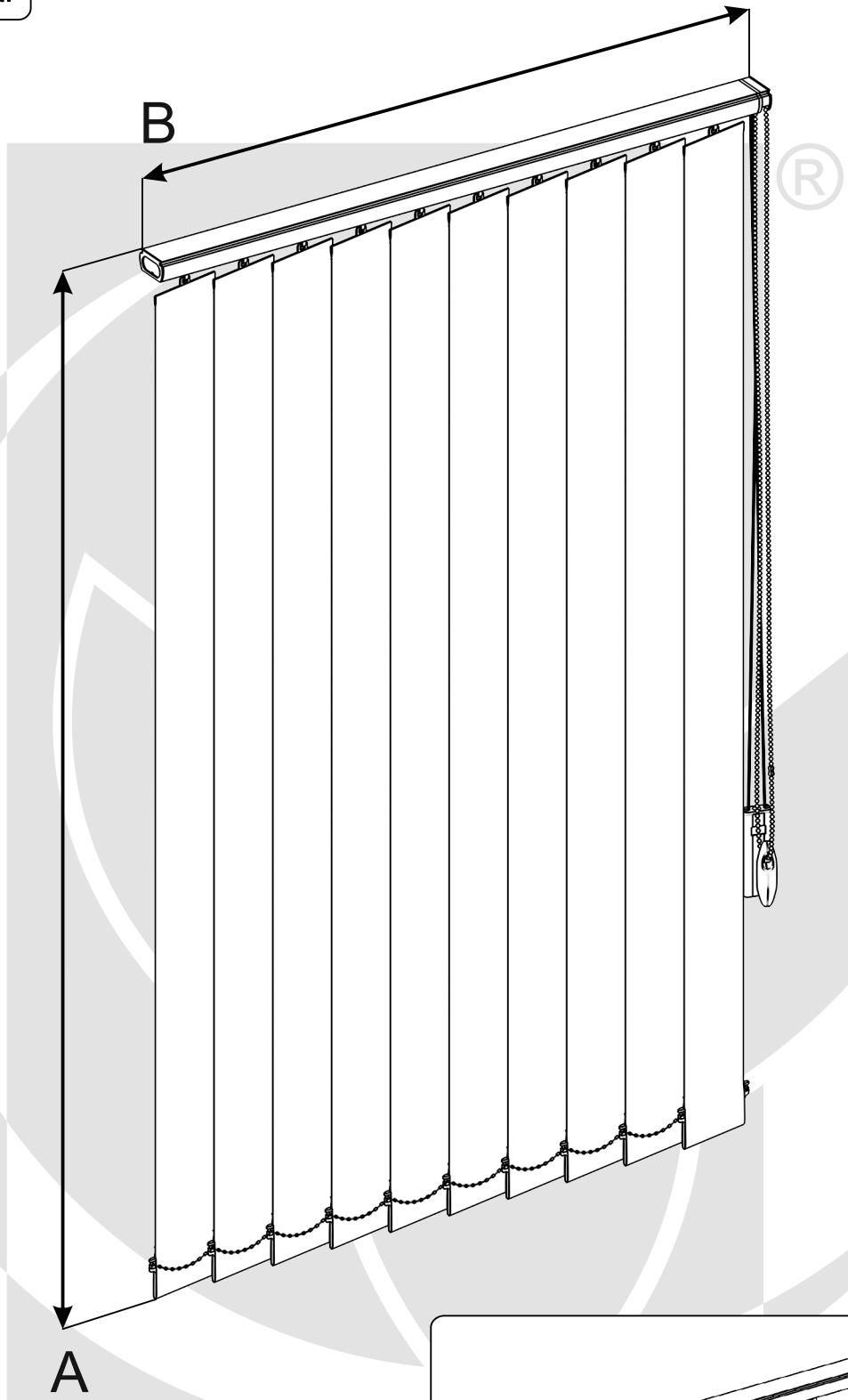
Packaging content:



1. Slats.
2. Bottom chain.
3. Slat weights.
4. Cleat hook.
5. Ceiling mount brackets - (installation option)
6. Wall mount brackets - (installation option)
7. Chain-break connector.

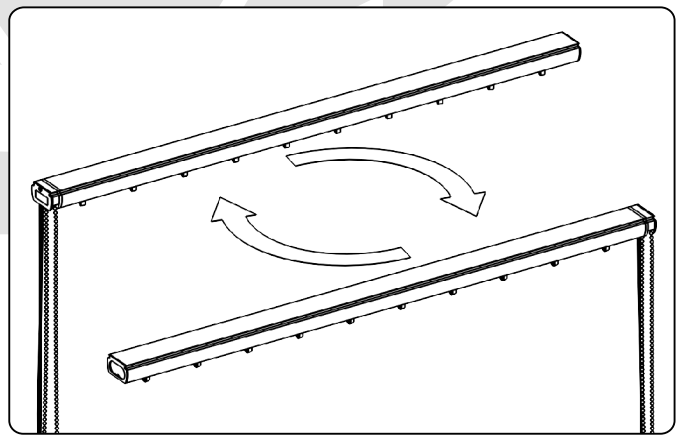


Measurement.

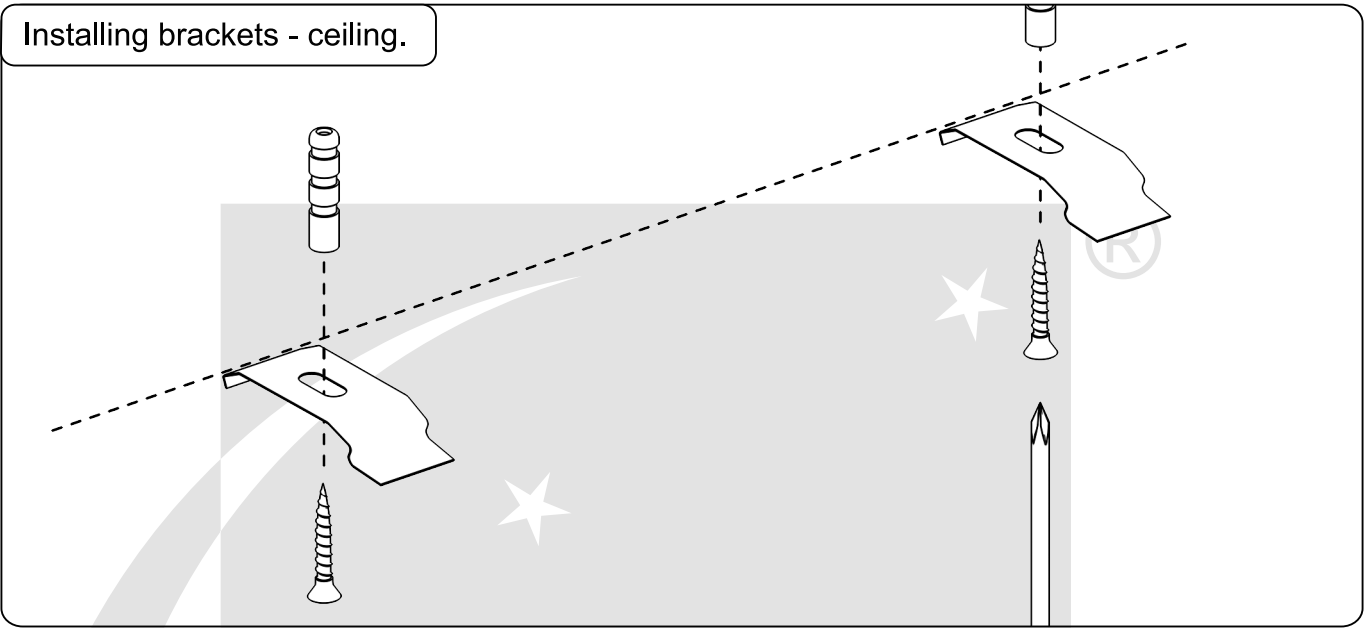


A - vertical blind height.
B - vertical blind width.

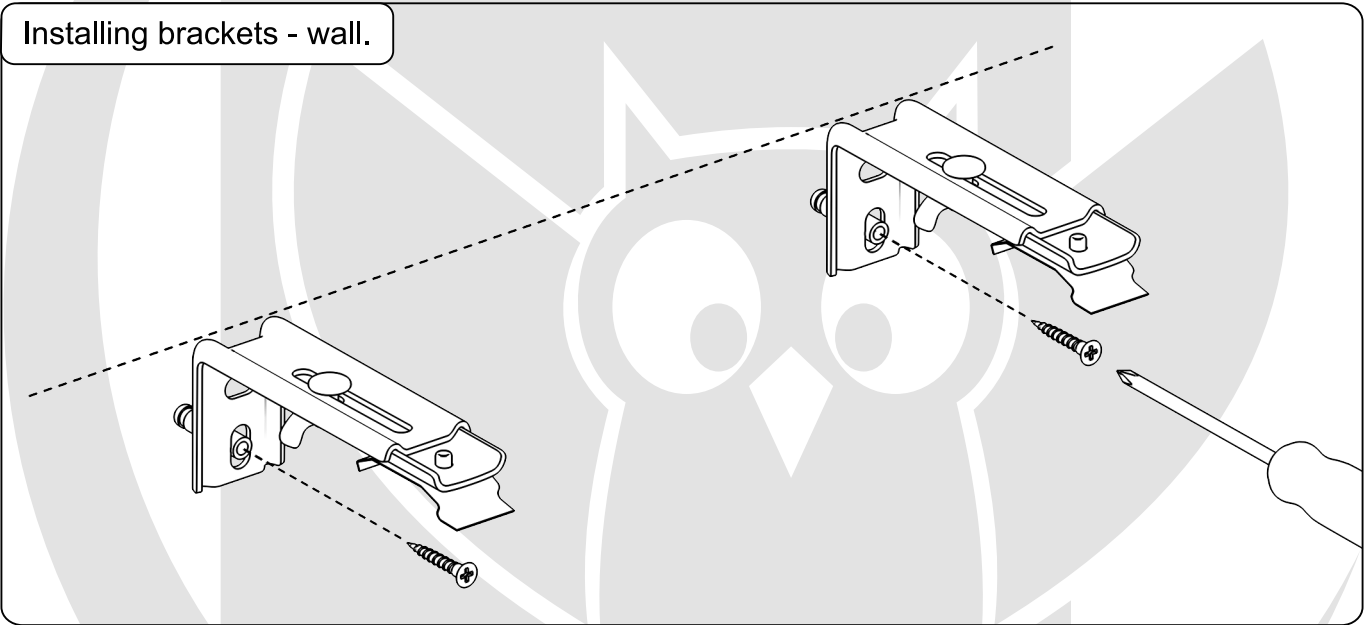
Vertical blind is a symmetrical system and can be installed on both sides. →



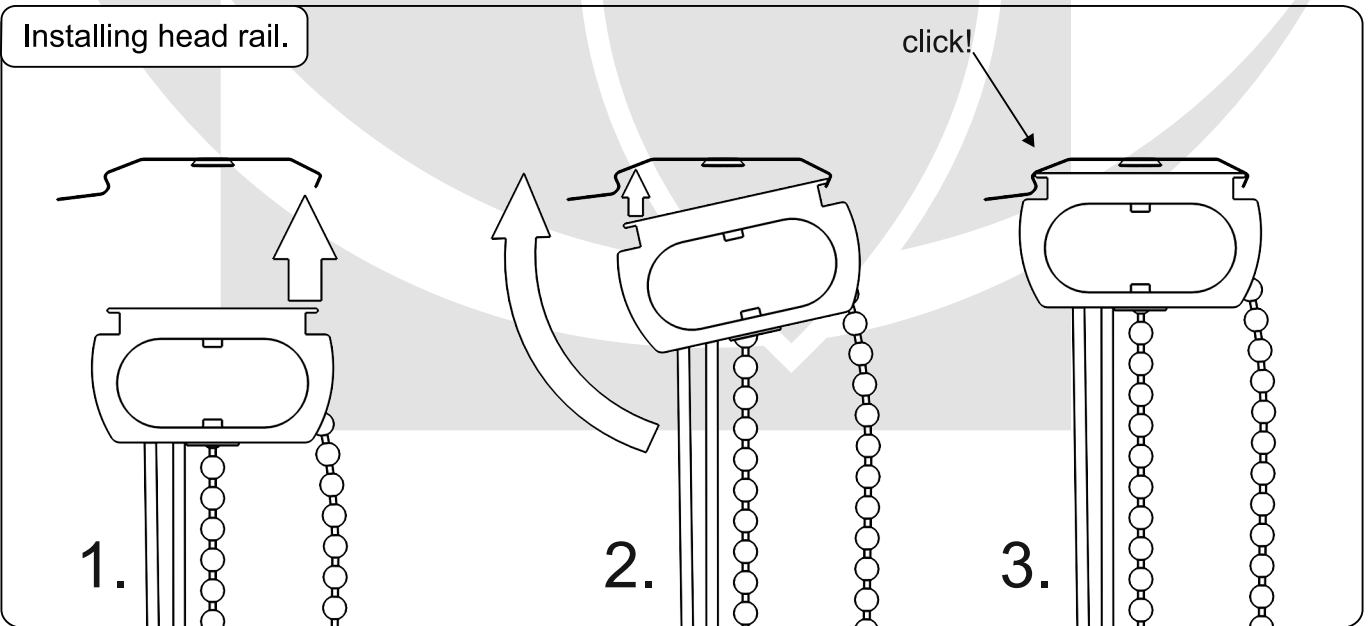
Installing brackets - ceiling.



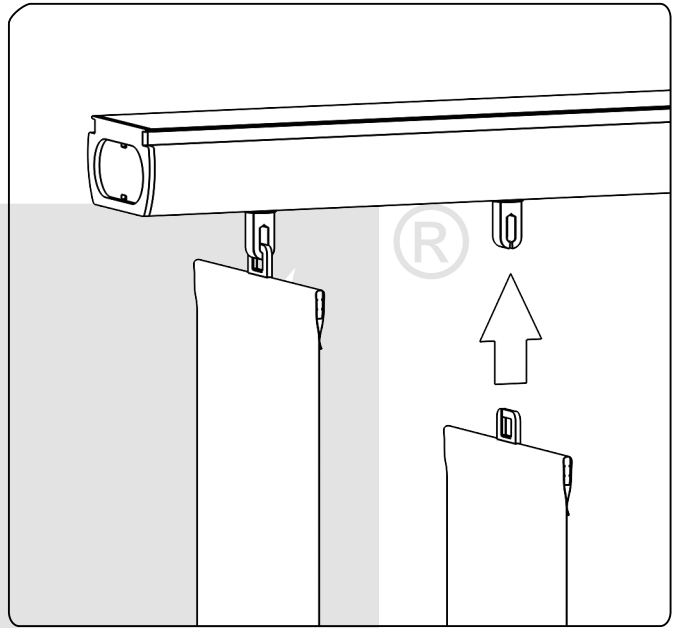
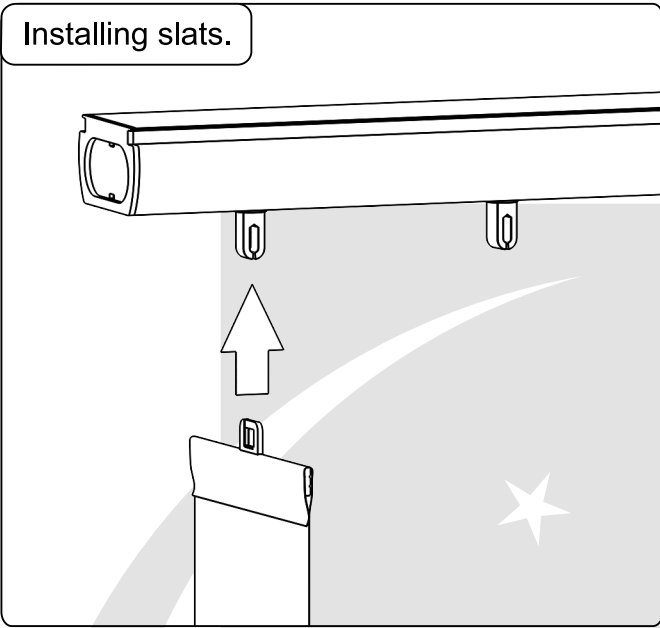
Installing brackets - wall.



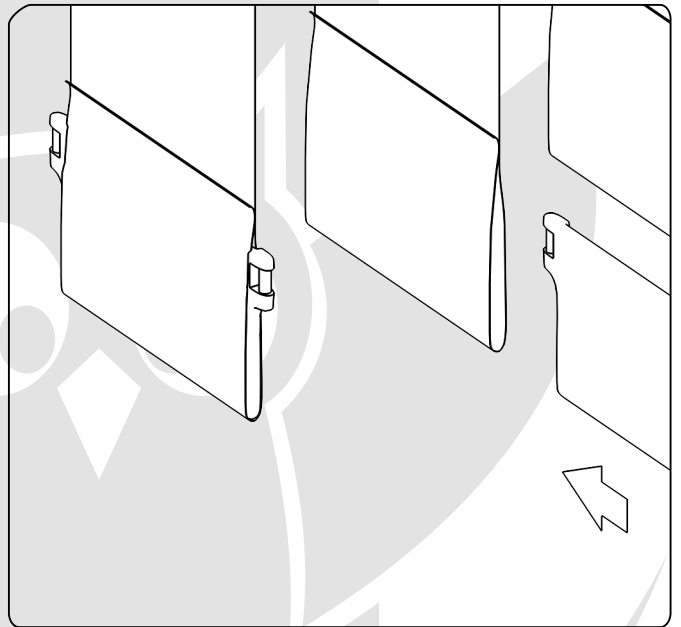
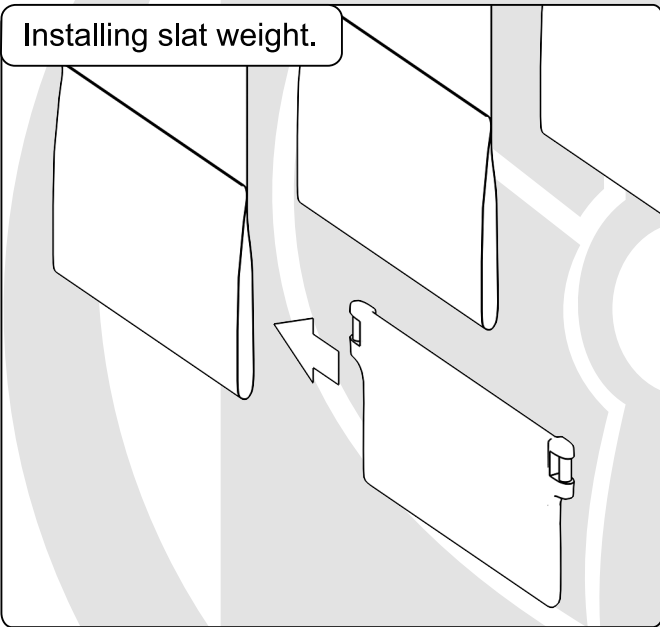
Installing head rail.



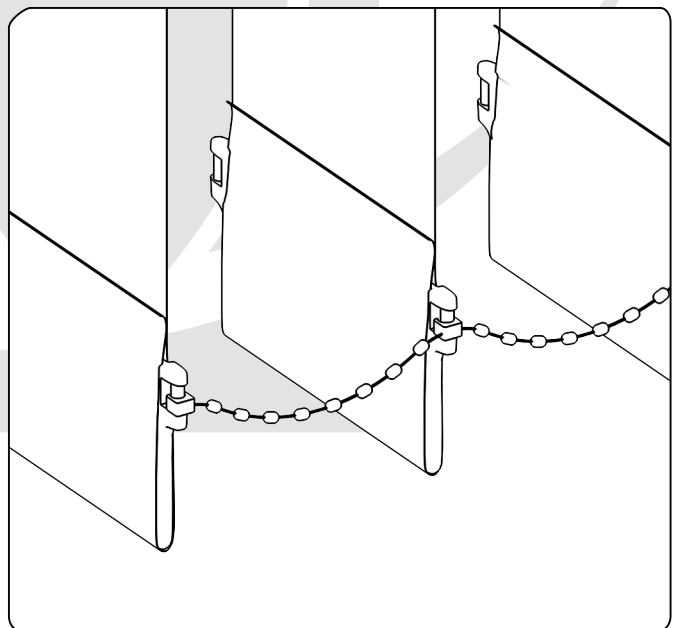
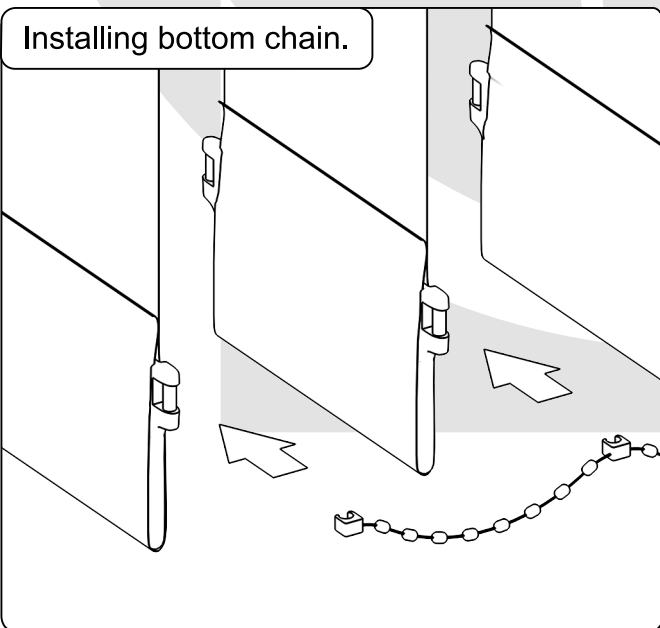
Installing slats.



Installing slat weight.

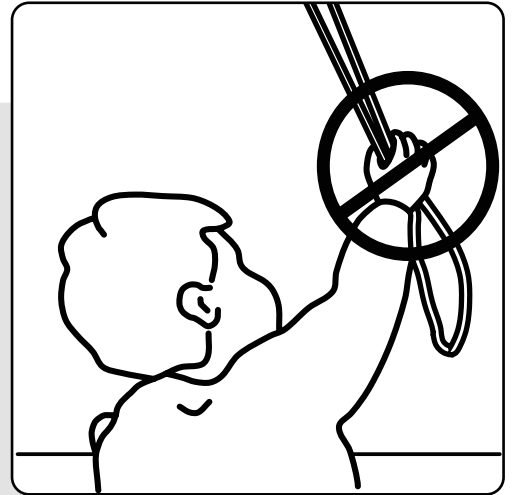


Installing bottom chain.

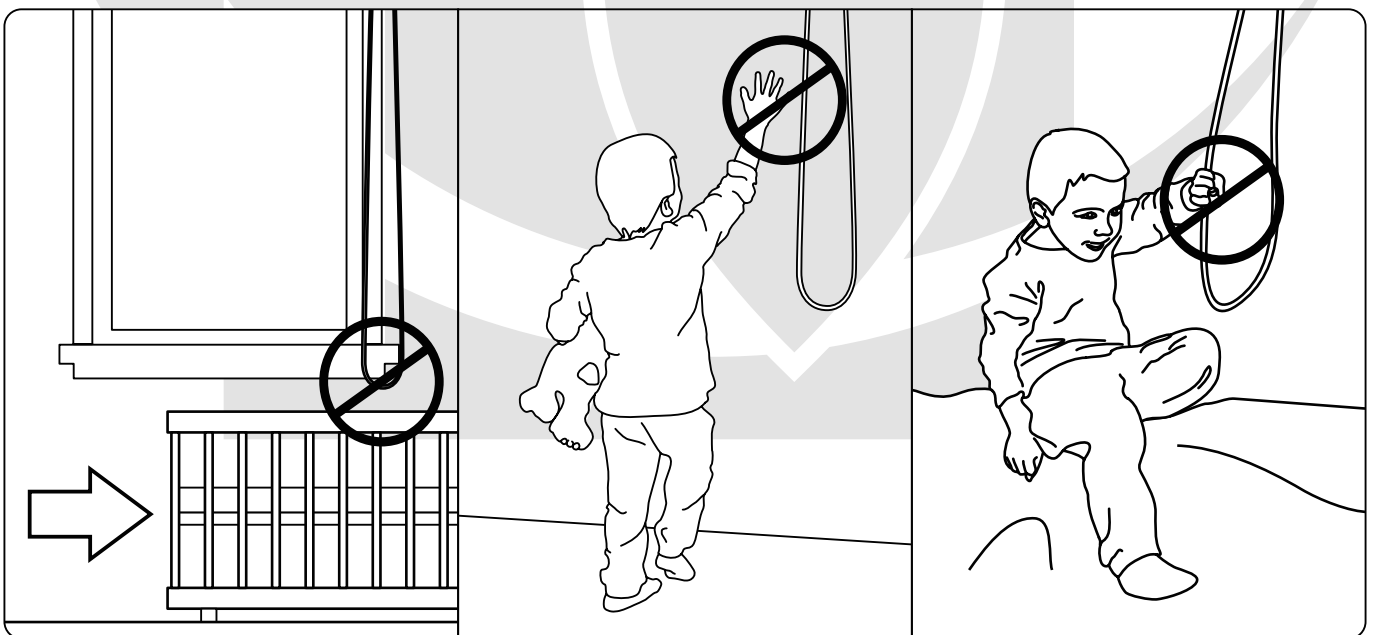
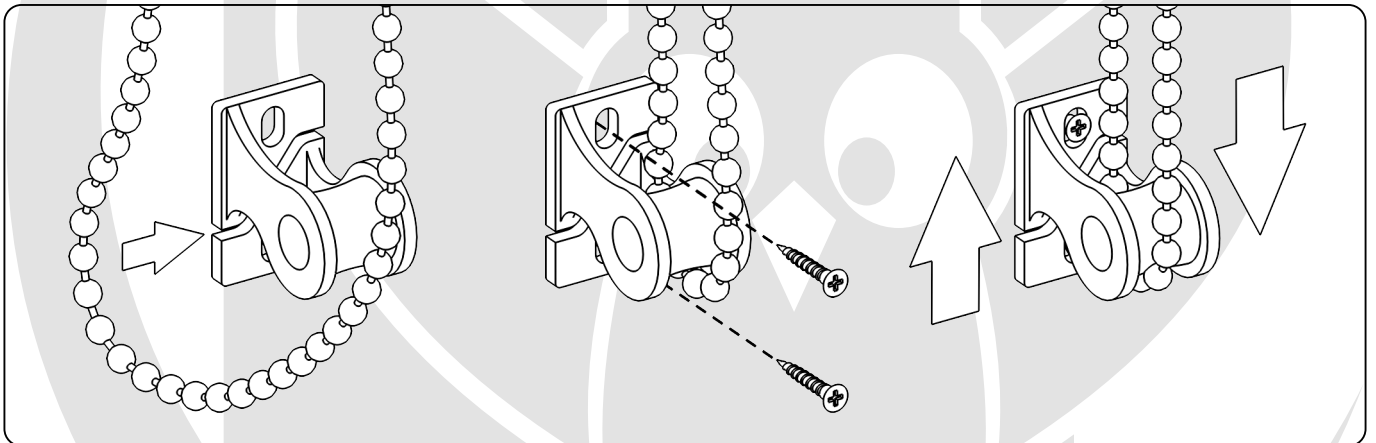


WARNING!

Small children can be strangled in the loops of cords, chains or belts used to operate Vertical blind curtains. Children can also wrap cords around their necks. Cords must be kept out of reach of children to avoid entanglement and strangulation. Move beds, cots and furniture away from window covering cords and chains.



To prevent accidental strangulation, all Vertical blinds are fitted with a tensioner, as per: **EN 13120:2009+A1:2014.**





Fart Produkt Sp. z o. o. Sp. k.
ul. Towarowa 3, 87-100 Toruń
tel. +48 56 623 55 77
e-mail: export@fartprodukt.pl
www.fartprodukt.pl