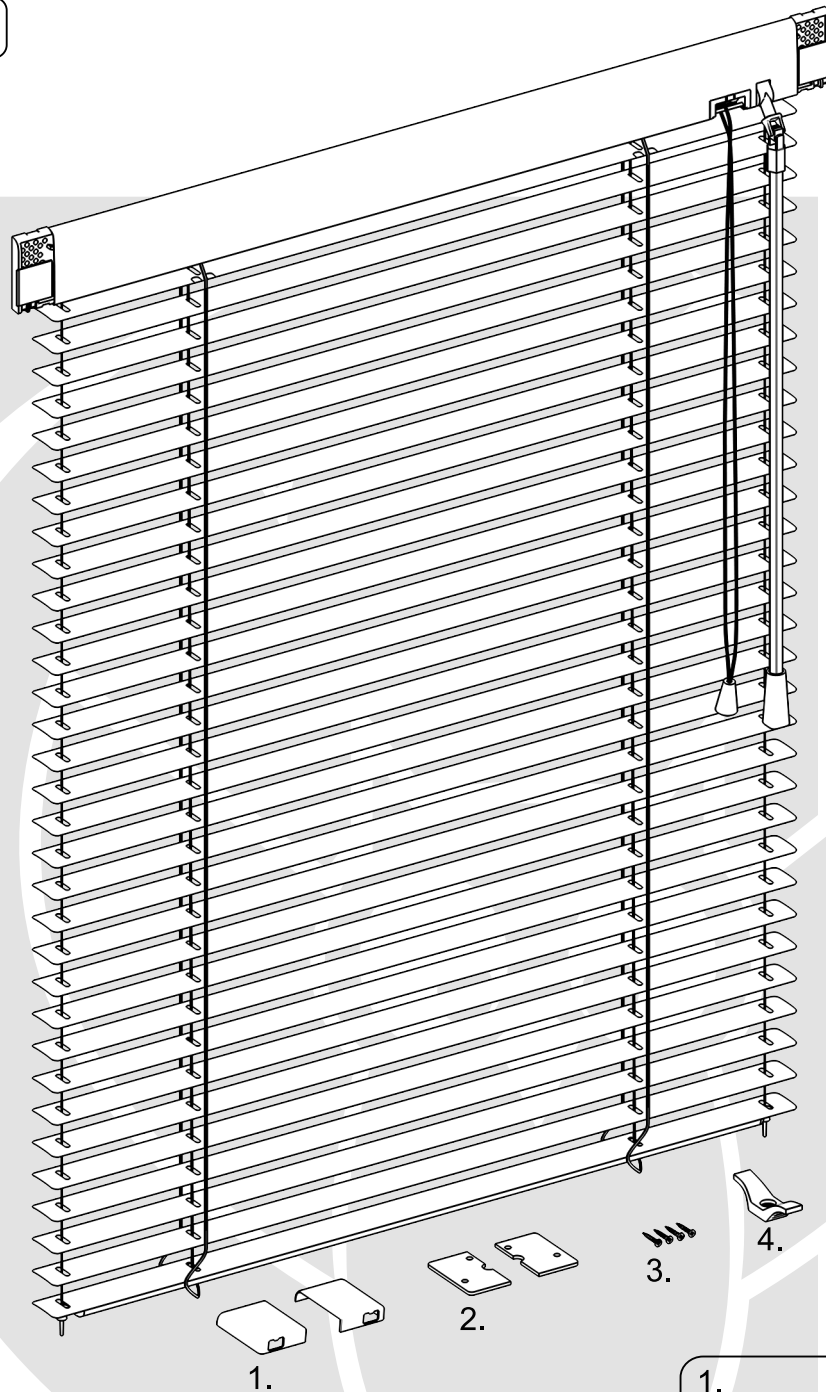




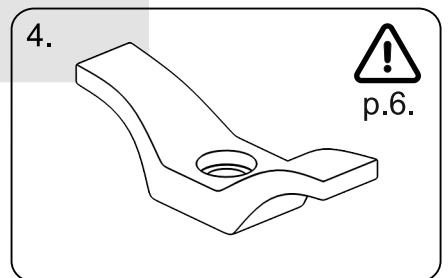
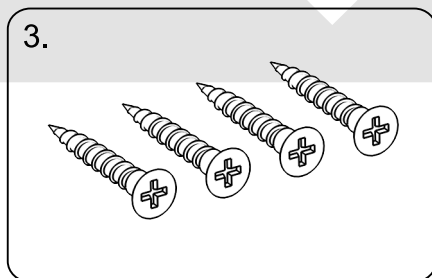
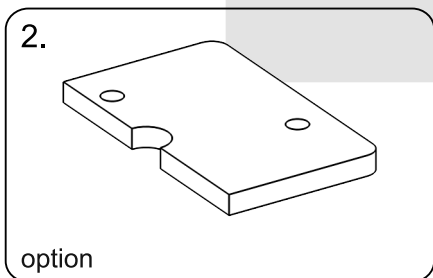
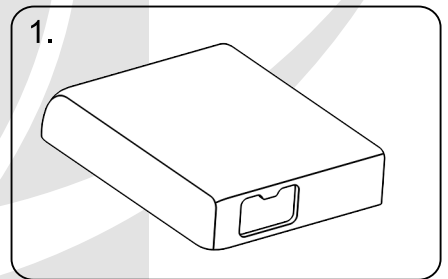
Installation instructions

Venus and Venus standard venetian blind

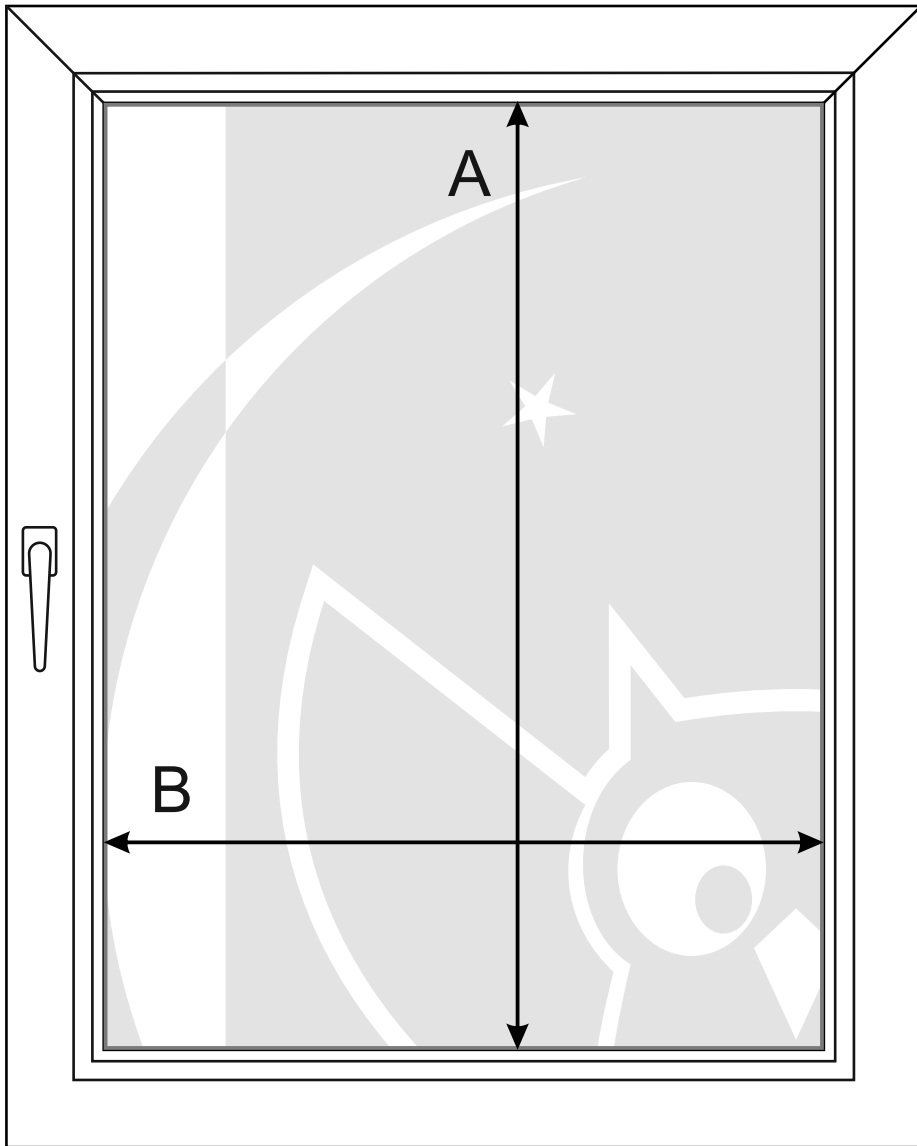
Measurements.



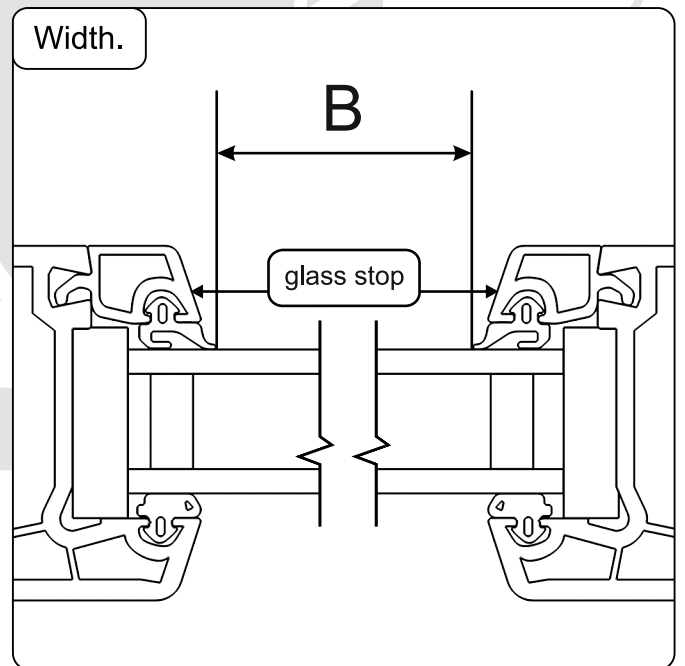
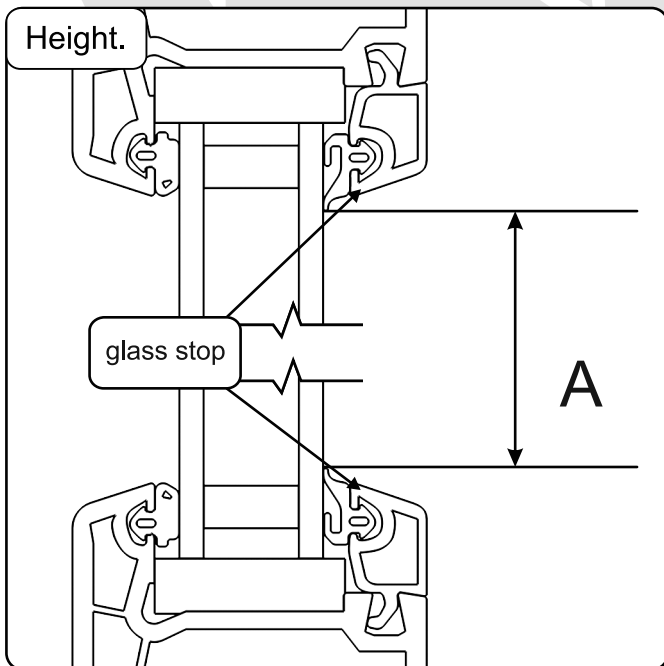
- 1. Side covers.
- 2. Spacers.
- 3. Screws.
- 4. Cleat hook.



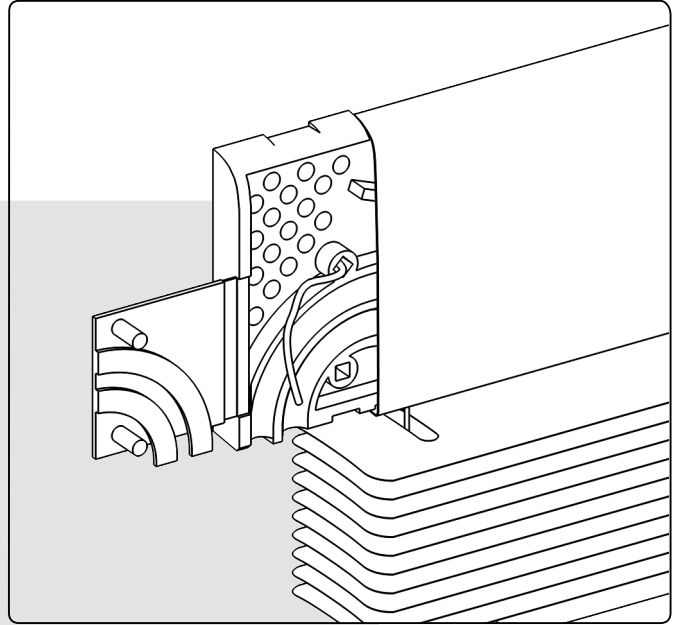
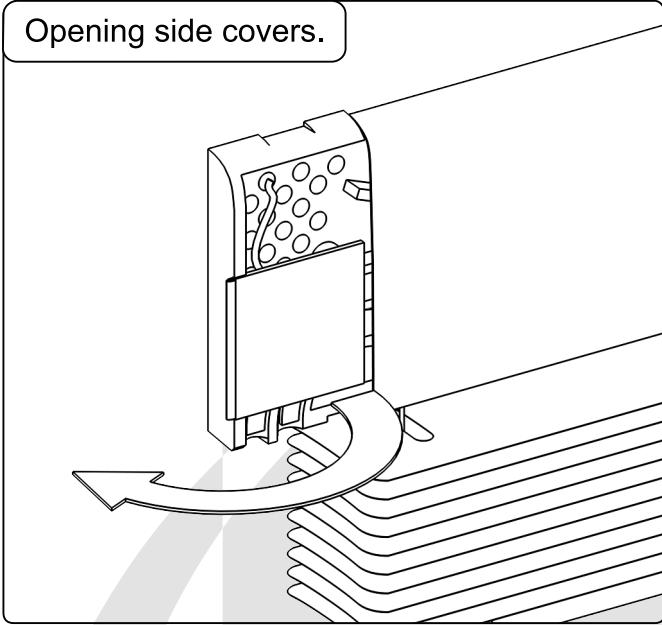
Measurements.



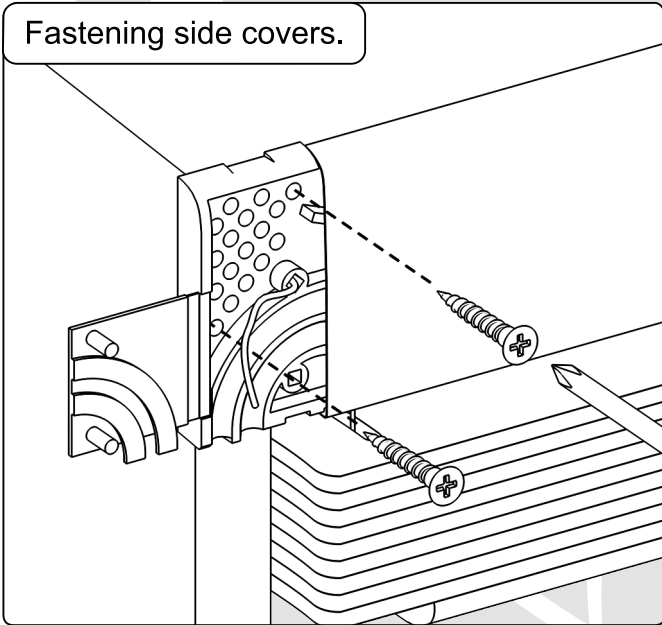
A - measured height.
B - measured width.



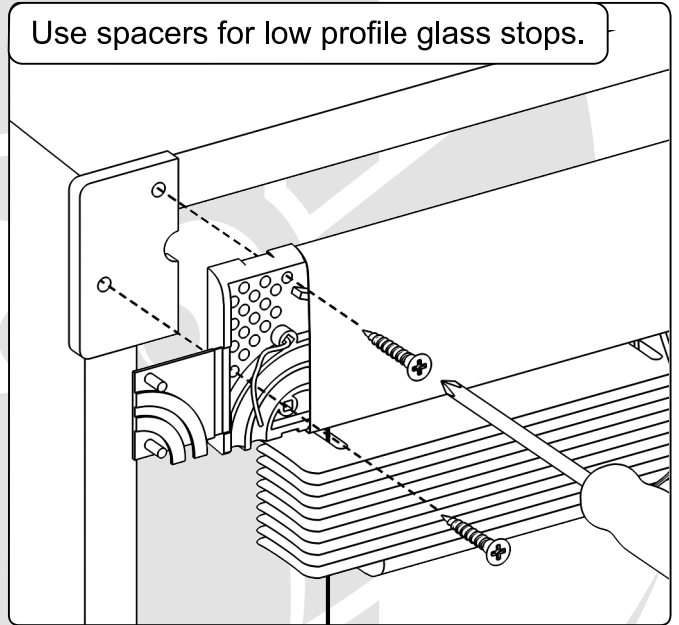
Opening side covers.



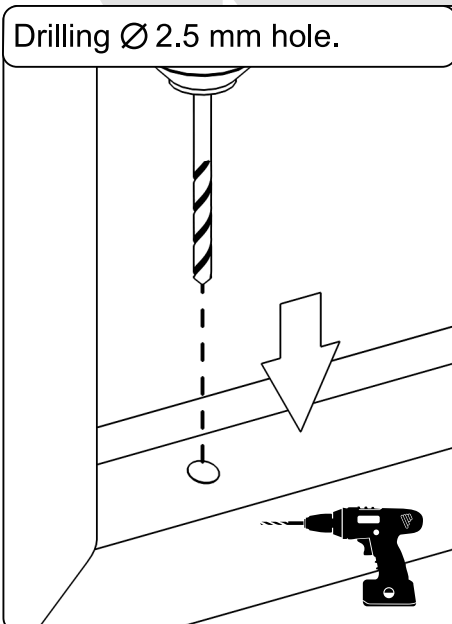
Fastening side covers.



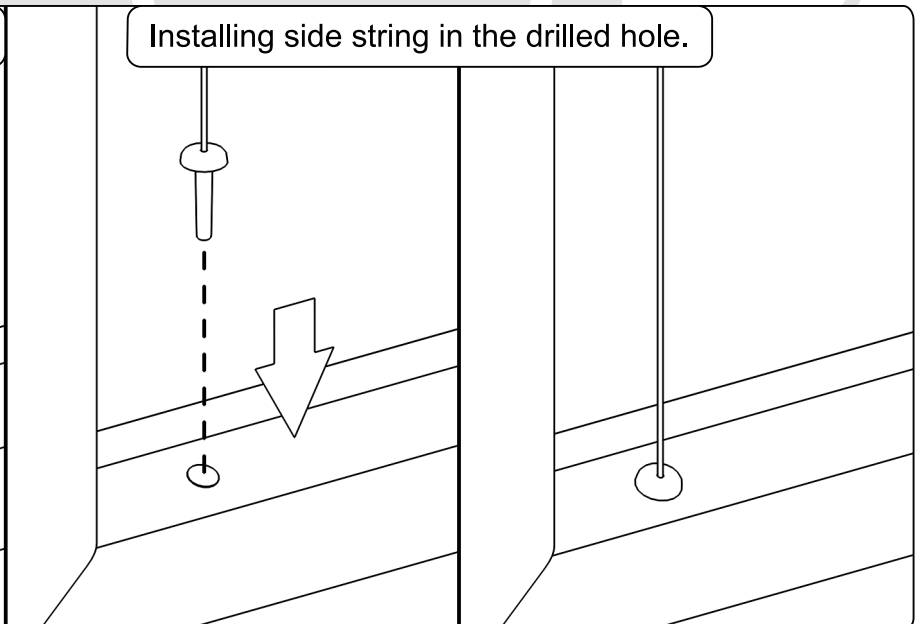
Use spacers for low profile glass stops.



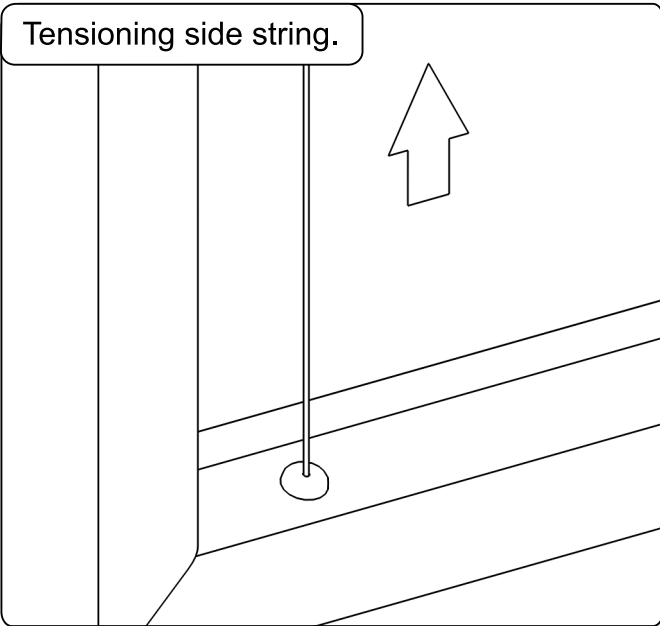
Drilling Ø 2.5 mm hole.



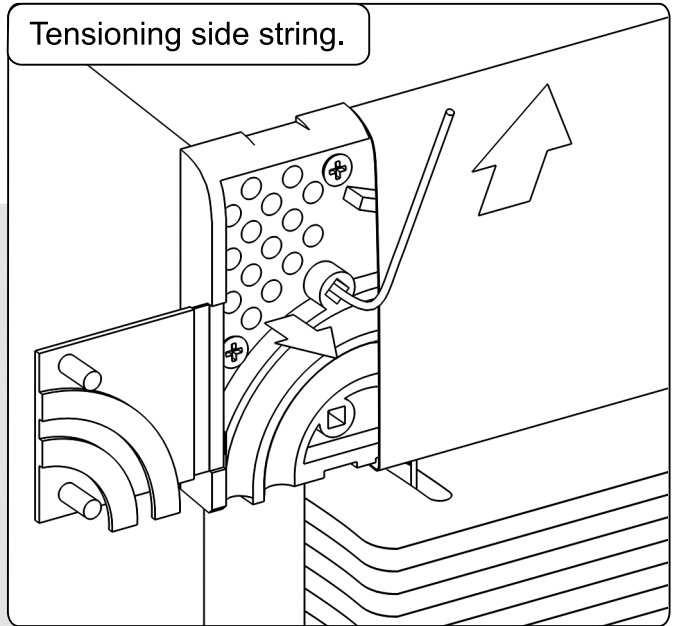
Installing side string in the drilled hole.



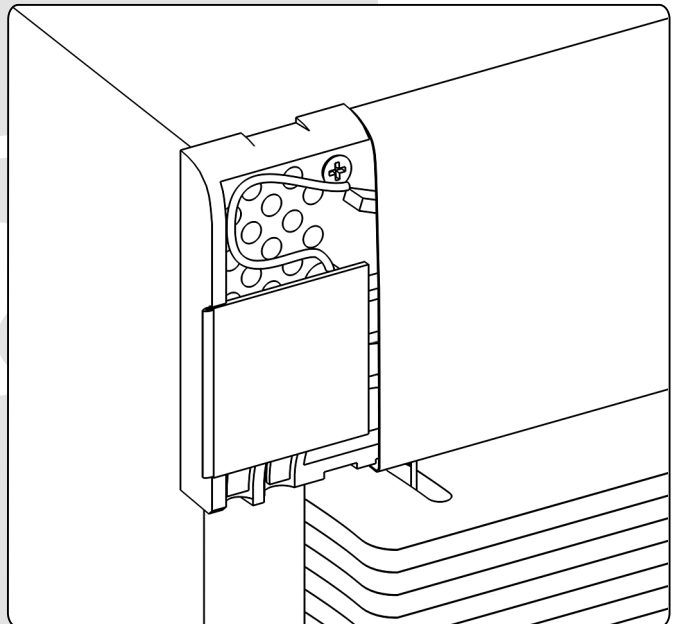
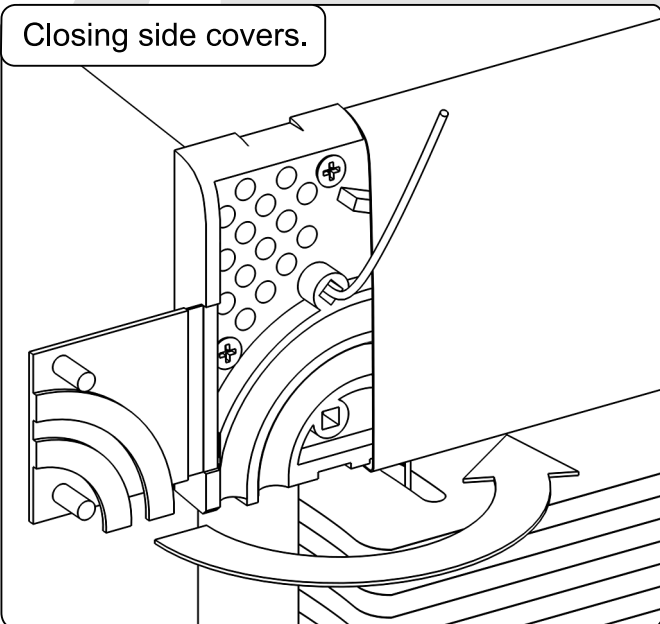
Tensioning side string.



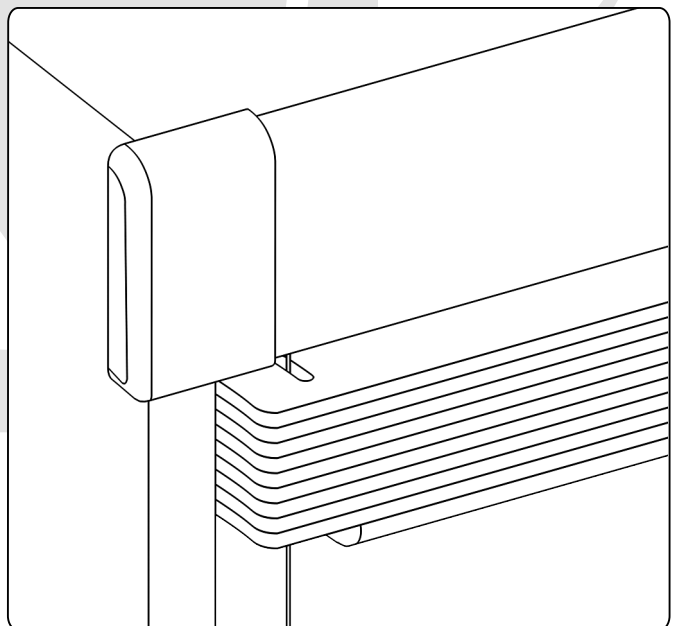
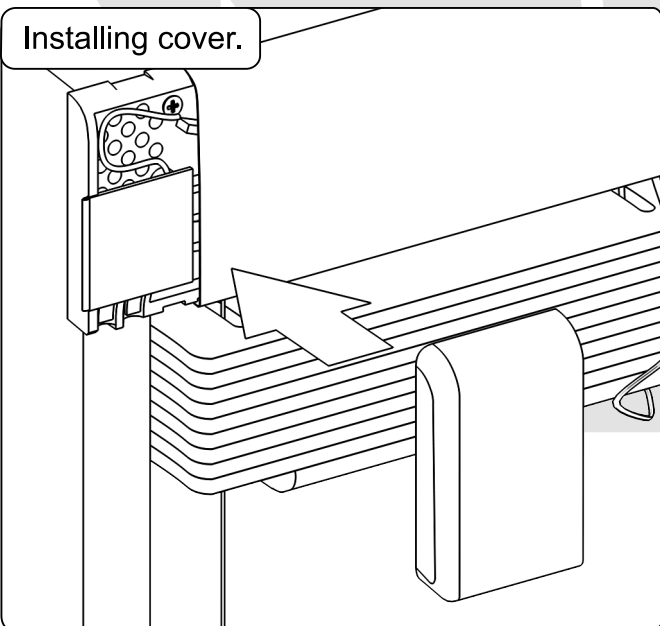
Tensioning side string.



Closing side covers.

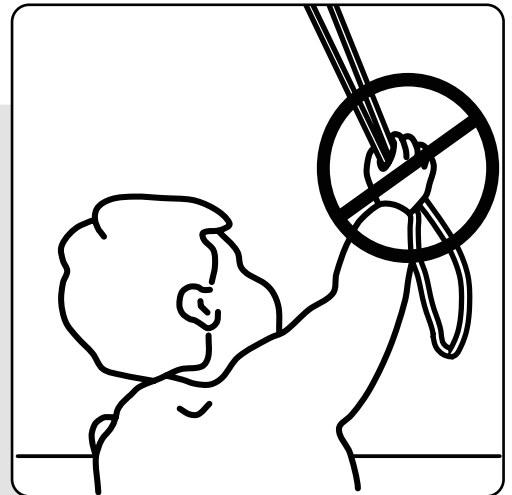


Installing cover.



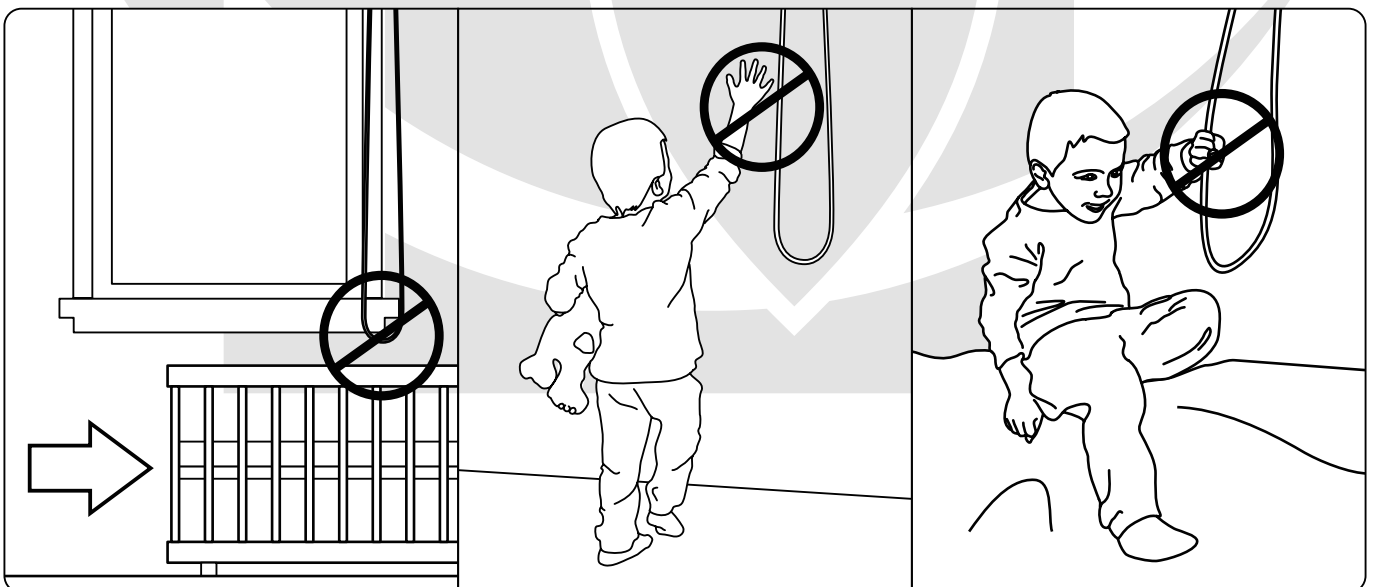
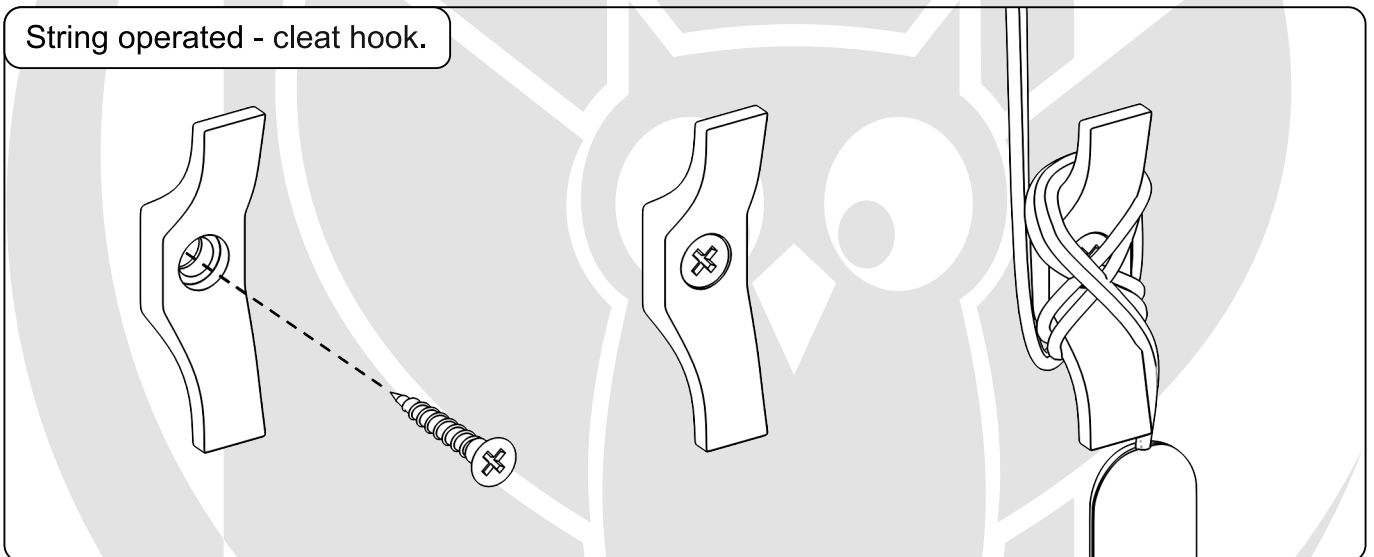
WARNING!

Small children can be strangled in the loops of cords, chains or belts used to operate venetian blinds. Children can also wrap cords around their necks. Cords must be kept out of reach of children to avoid entanglement and strangulation. Move beds, cots and furniture away from window covering cords and chains.



To prevent accidental strangulation, all venetian blinds are fitted with a cleat hook as per **EN 13120:2009+A1:2014**.

String operated - cleat hook.





Fart Produkt Sp. z o. o. Sp. k.
ul. Towarowa 3, 87-100 Toruń
tel. +48 56 623 55 77
e-mail: export@fartprodukt.pl
www.fartprodukt.pl