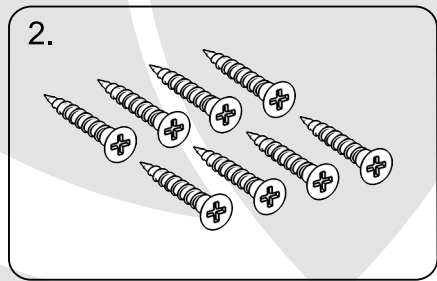
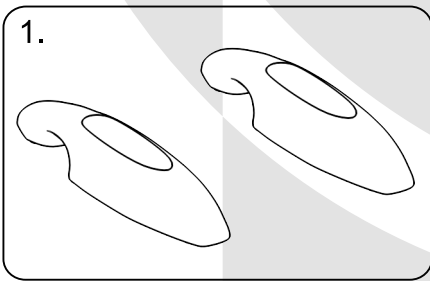
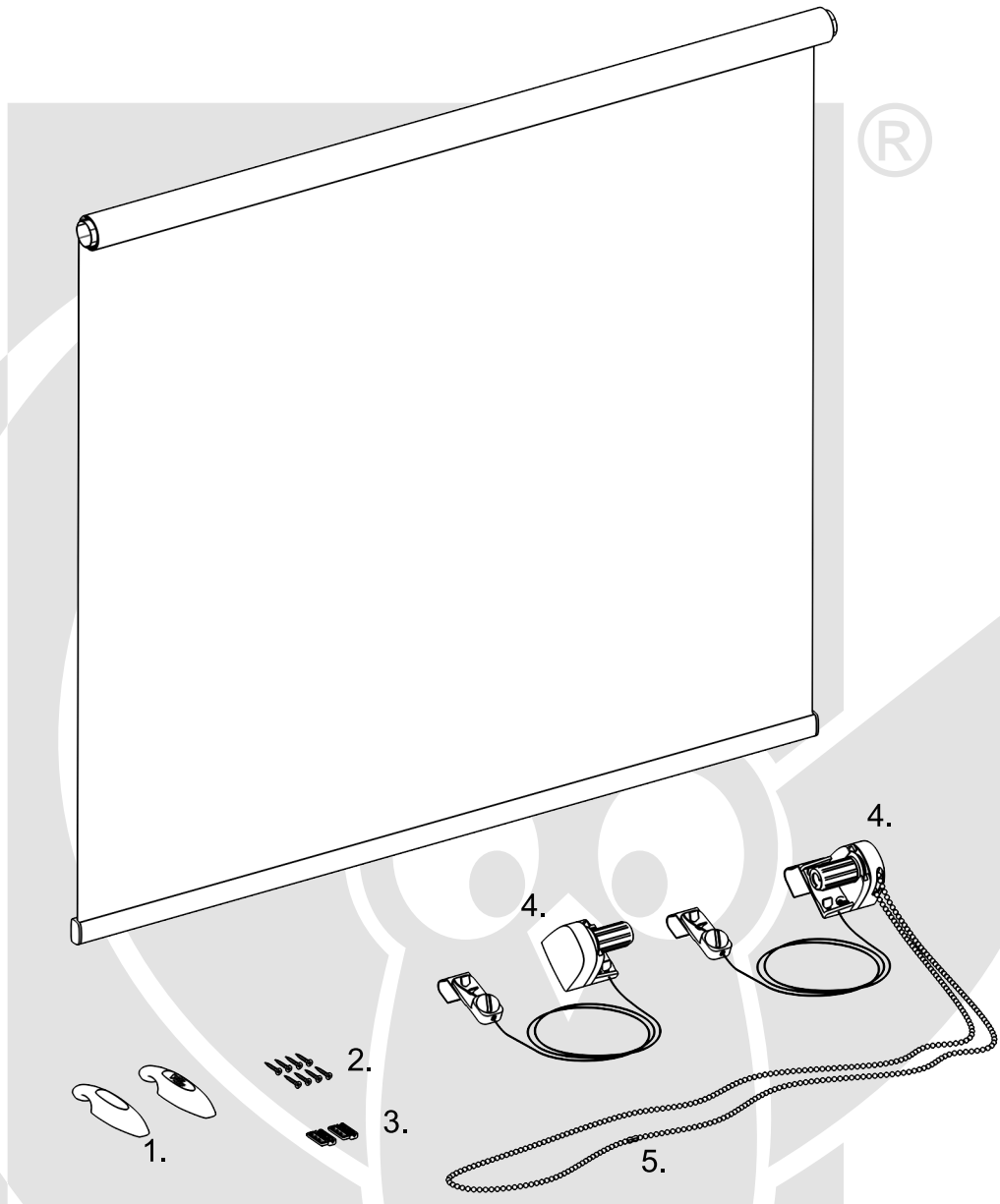




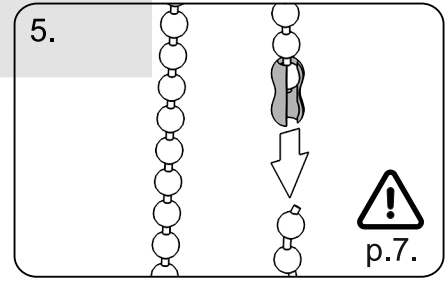
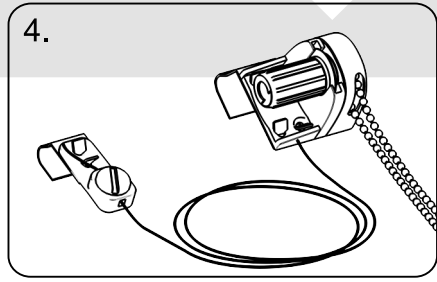
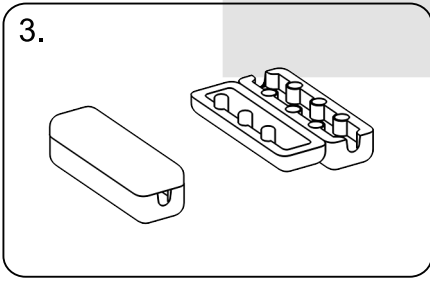
Installation instructions

Vegas Mini fabric roller blind

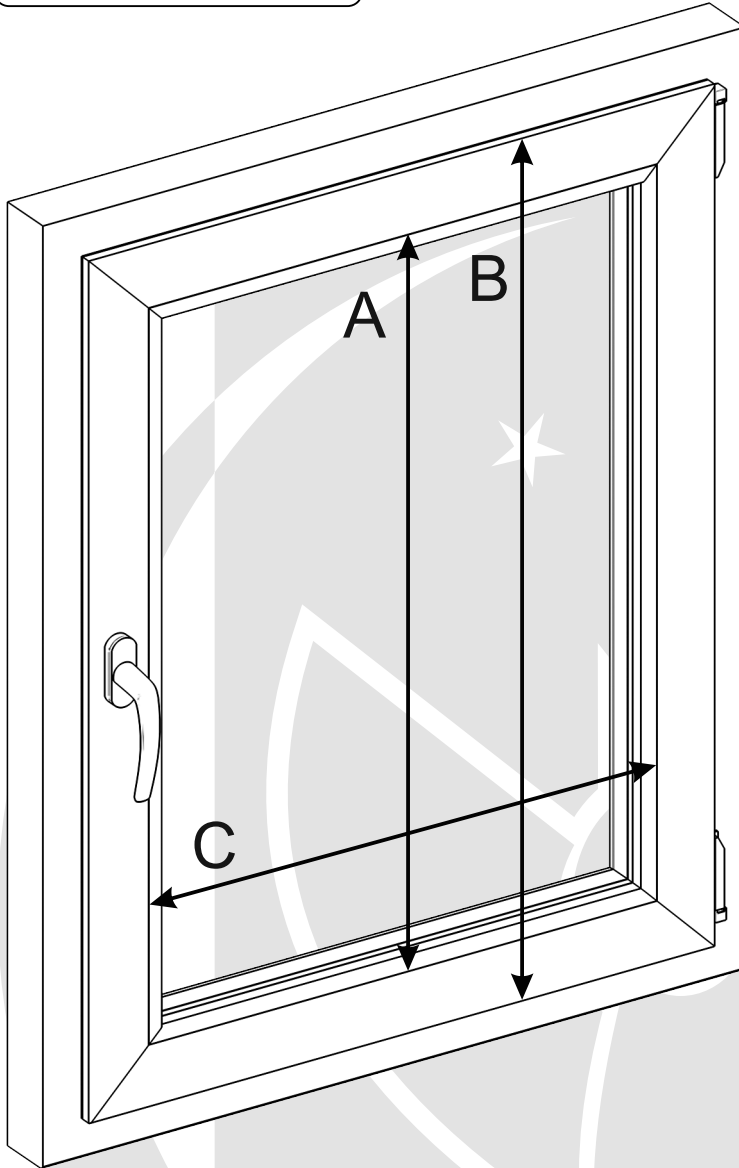
Packaging content:



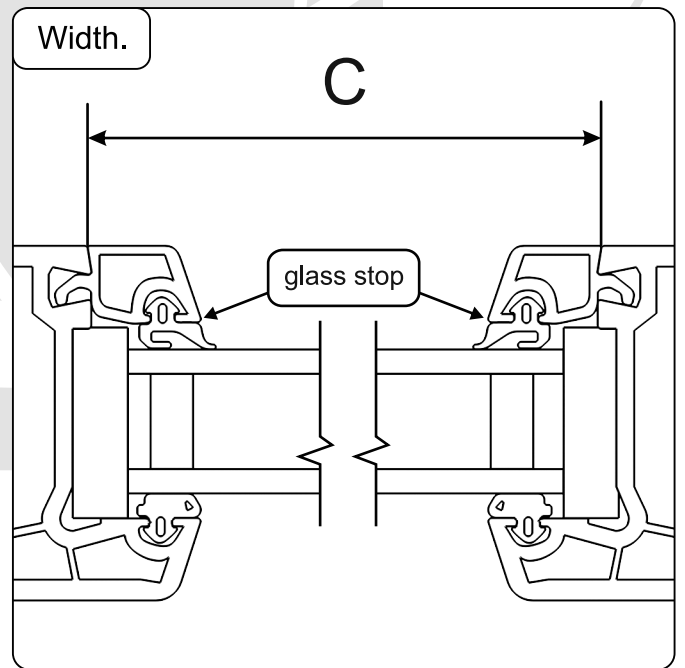
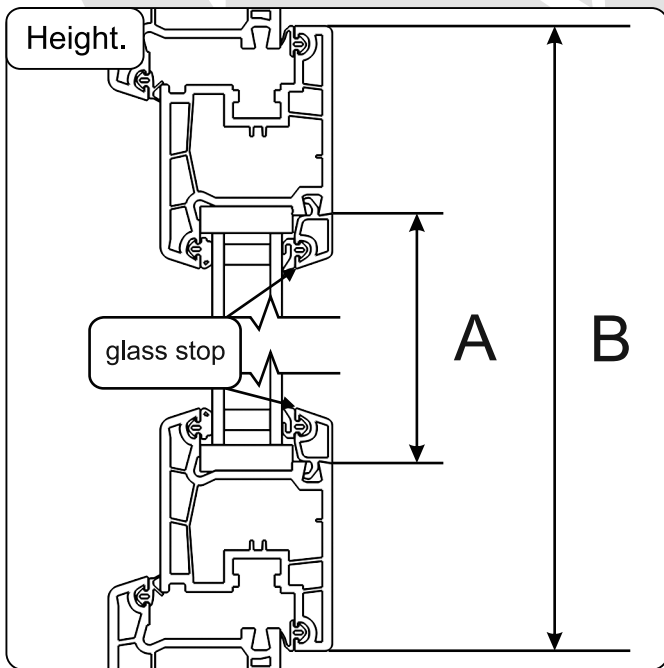
- 1. Chain weight.
- 2. Screws (installation option).
- 3. Chain connectors.
- 4. Side string covers and mounts with mounting brackets (installation option).
- 5. Chain-break connector.



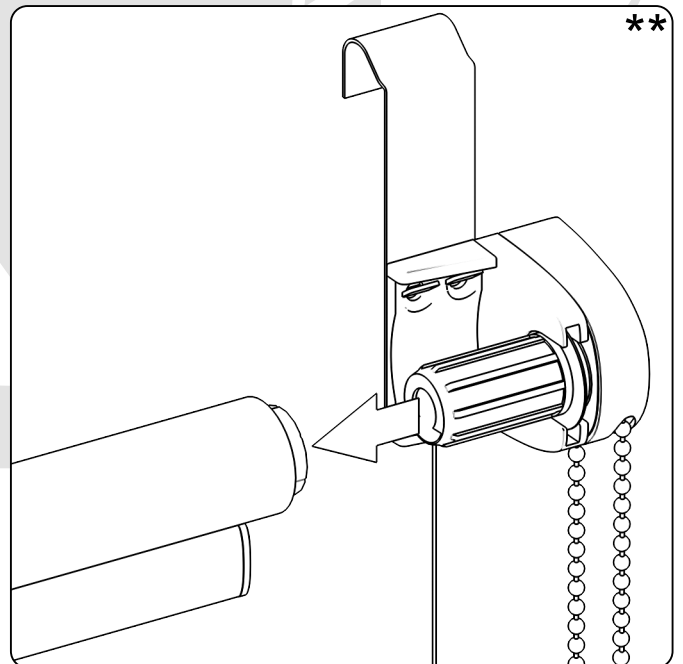
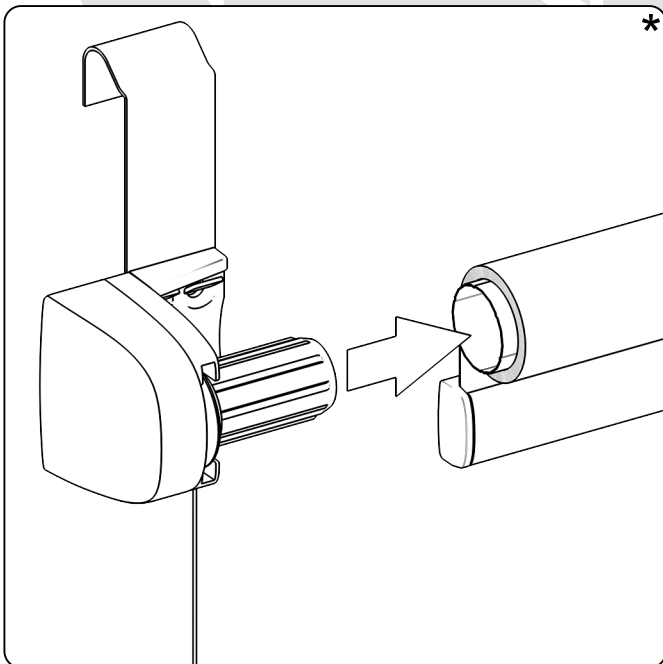
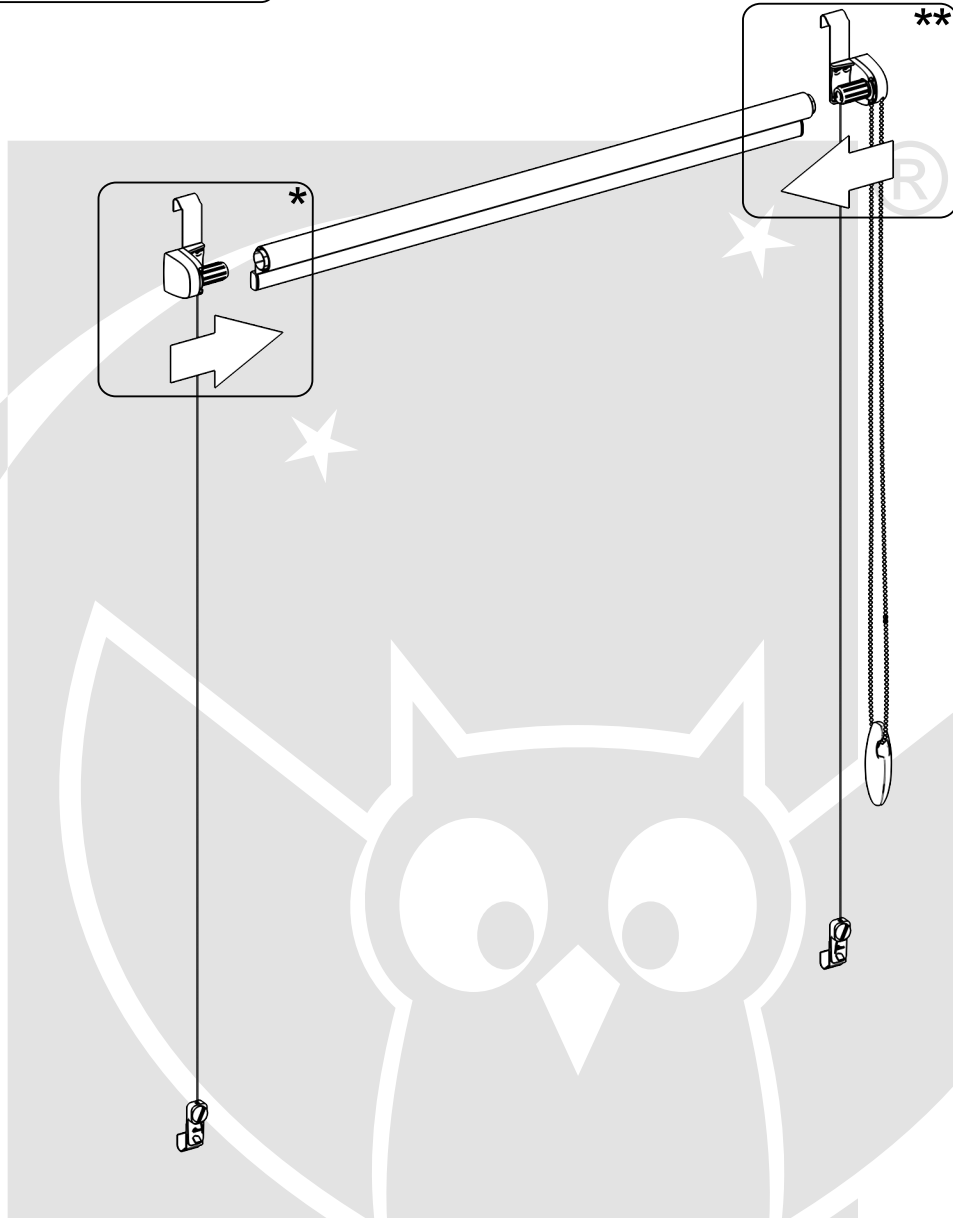
Window measurement.



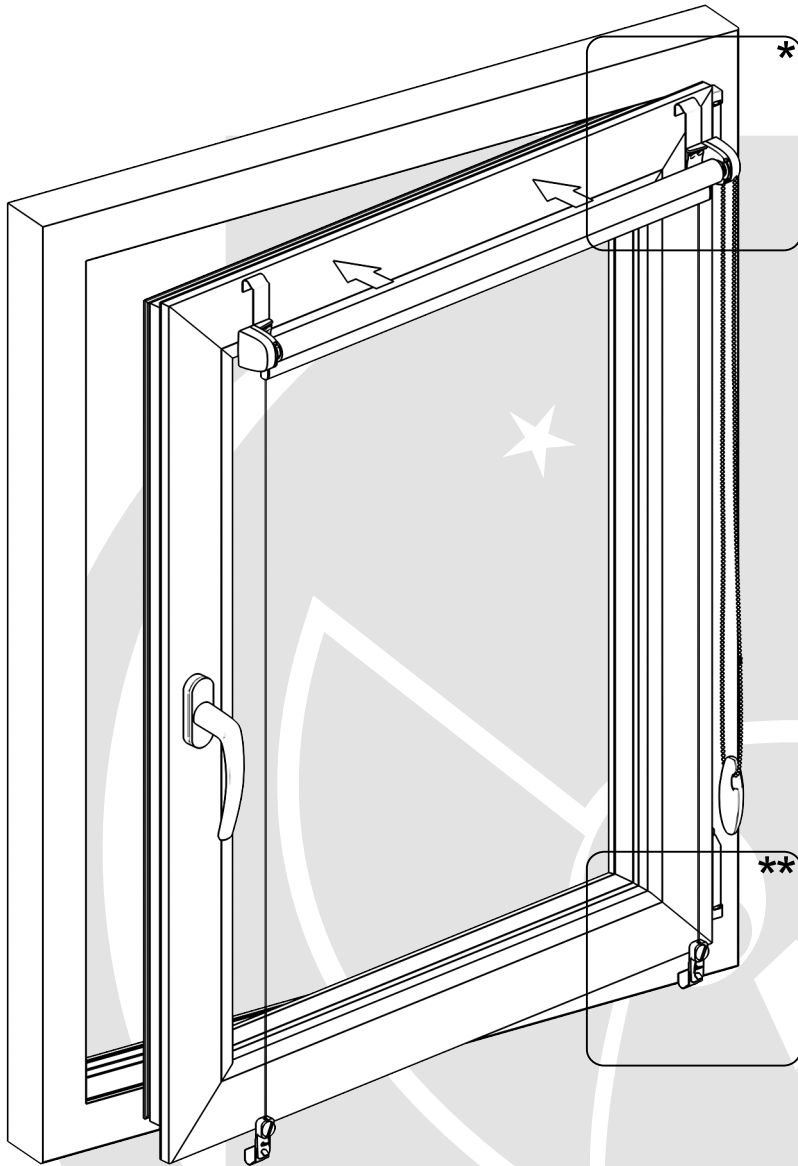
A - measured height for screw installation.
B - measured height for bracket installation. montażowych.
C - measured width.



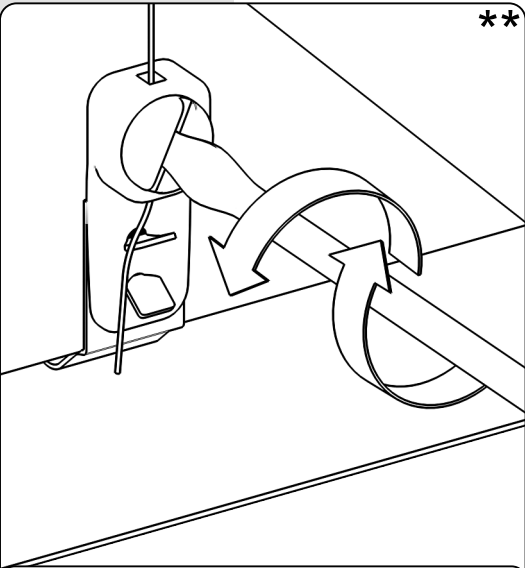
Installing roller blind (brackets).



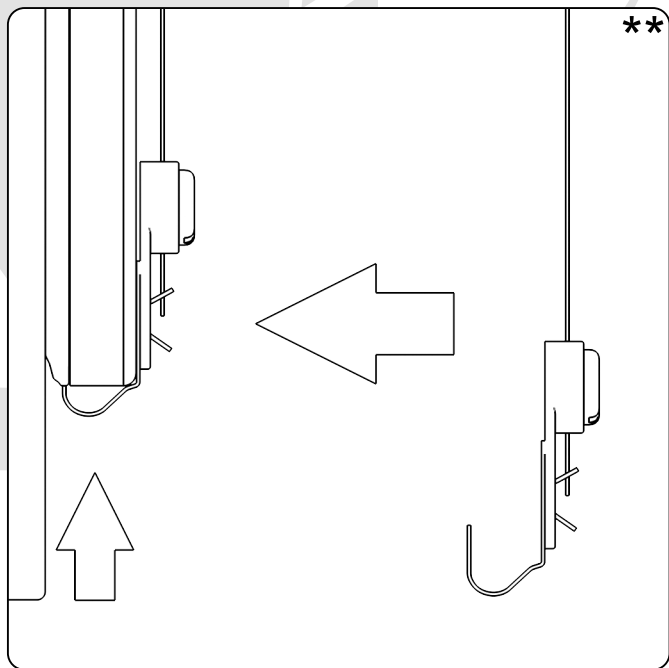
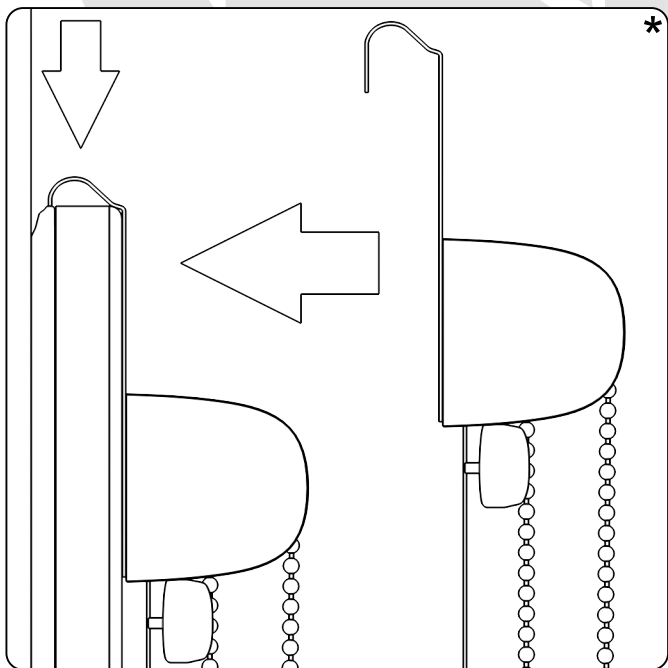
Installing roller blind (brackets).



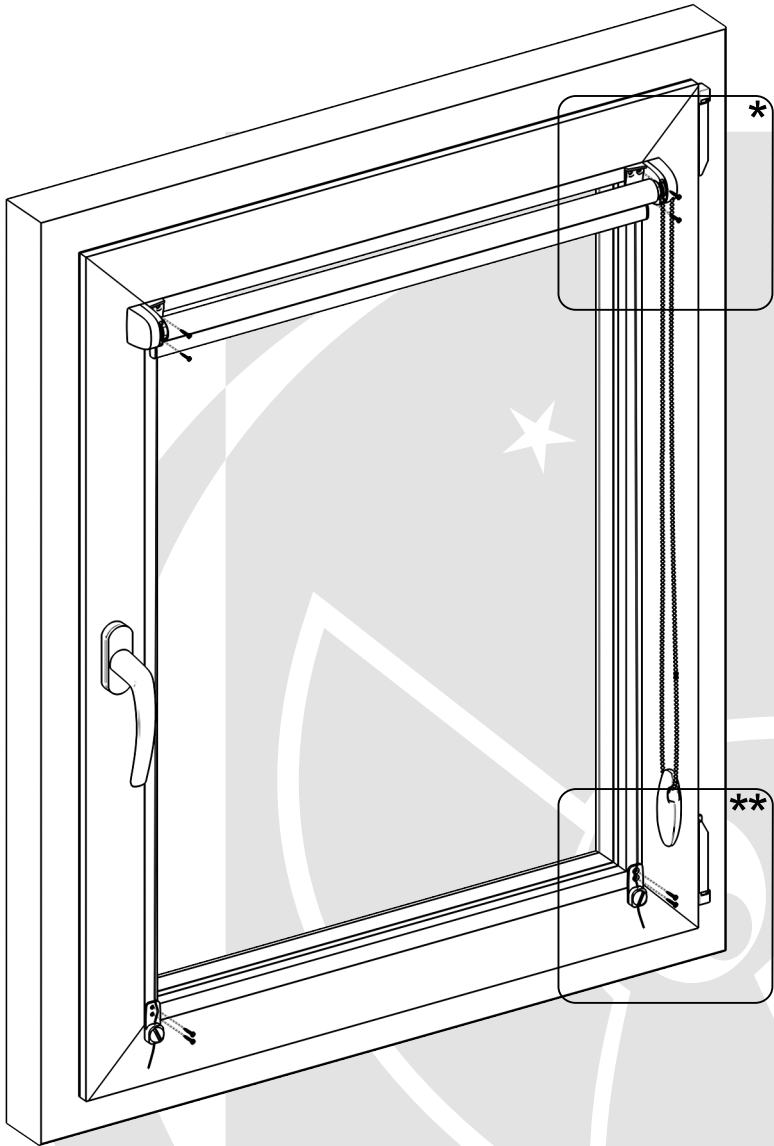
Make sure the side string is slightly loose above the mount bracket before tightening. **



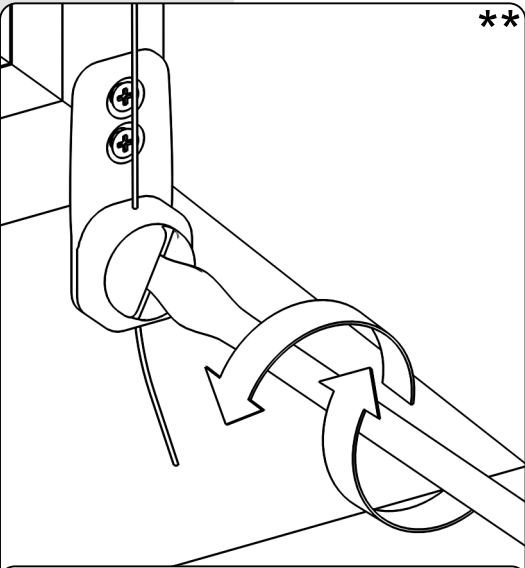
Loosening/tightening the side string



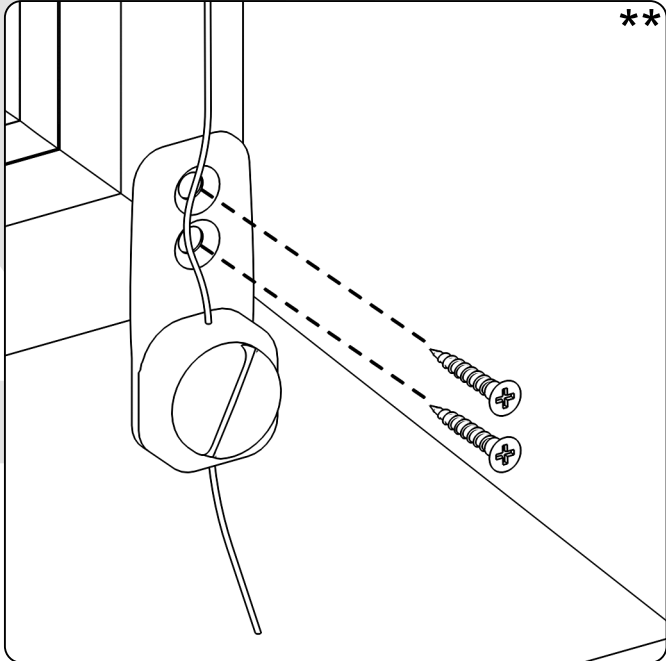
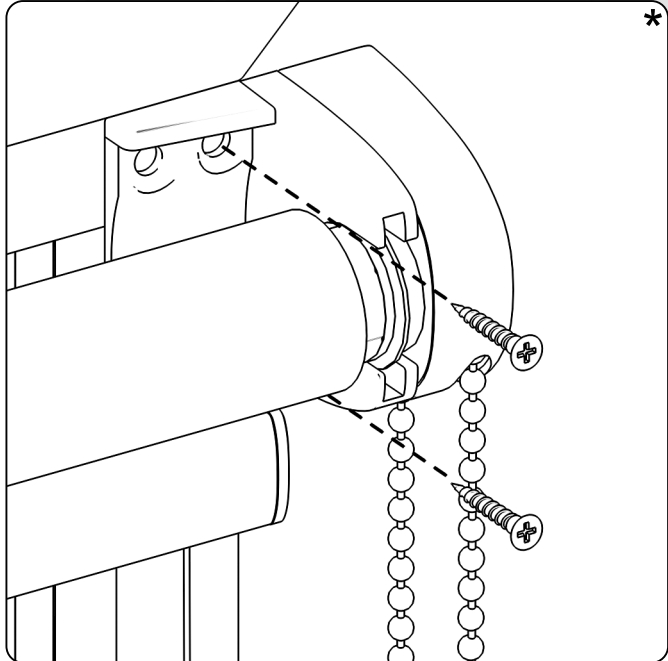
Installing roller blind (screws).



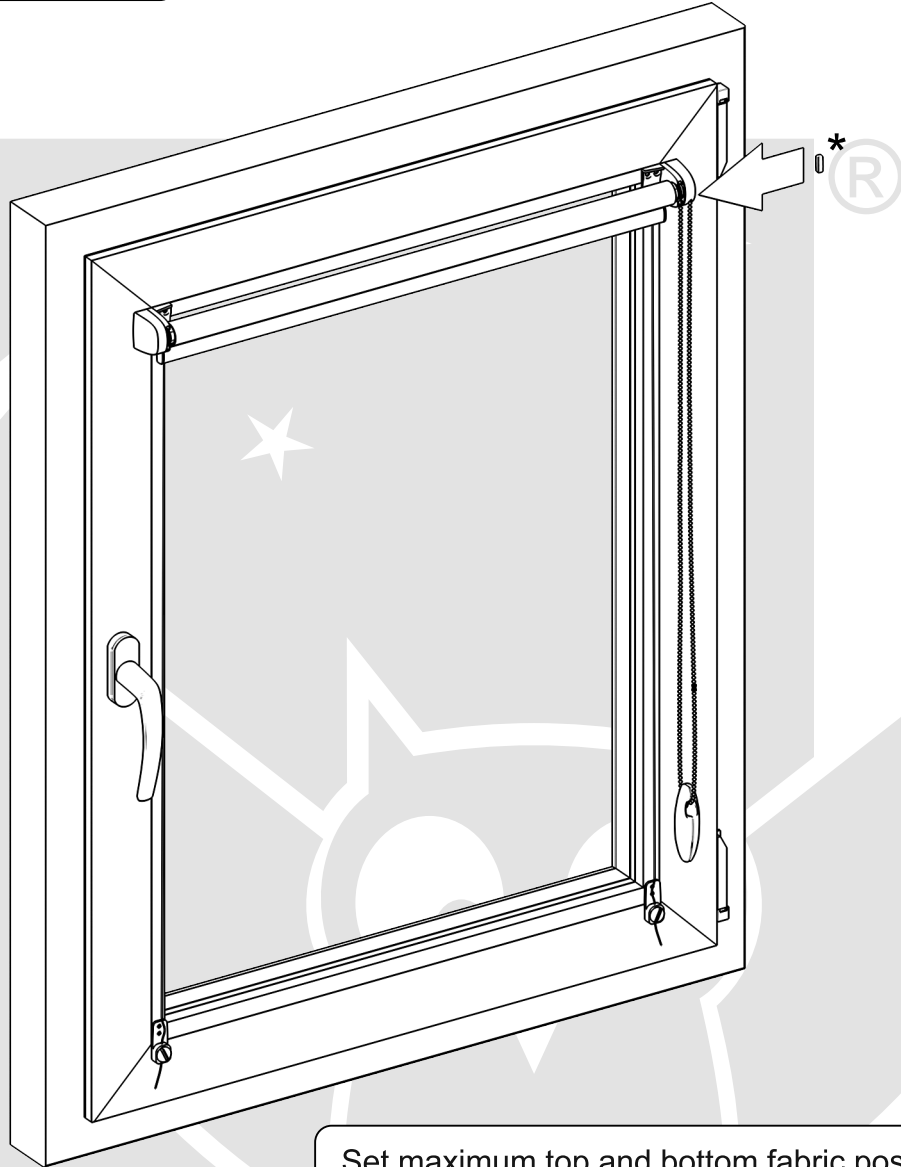
Make sure the side string is slightly loose above the mount bracket before tightening. **



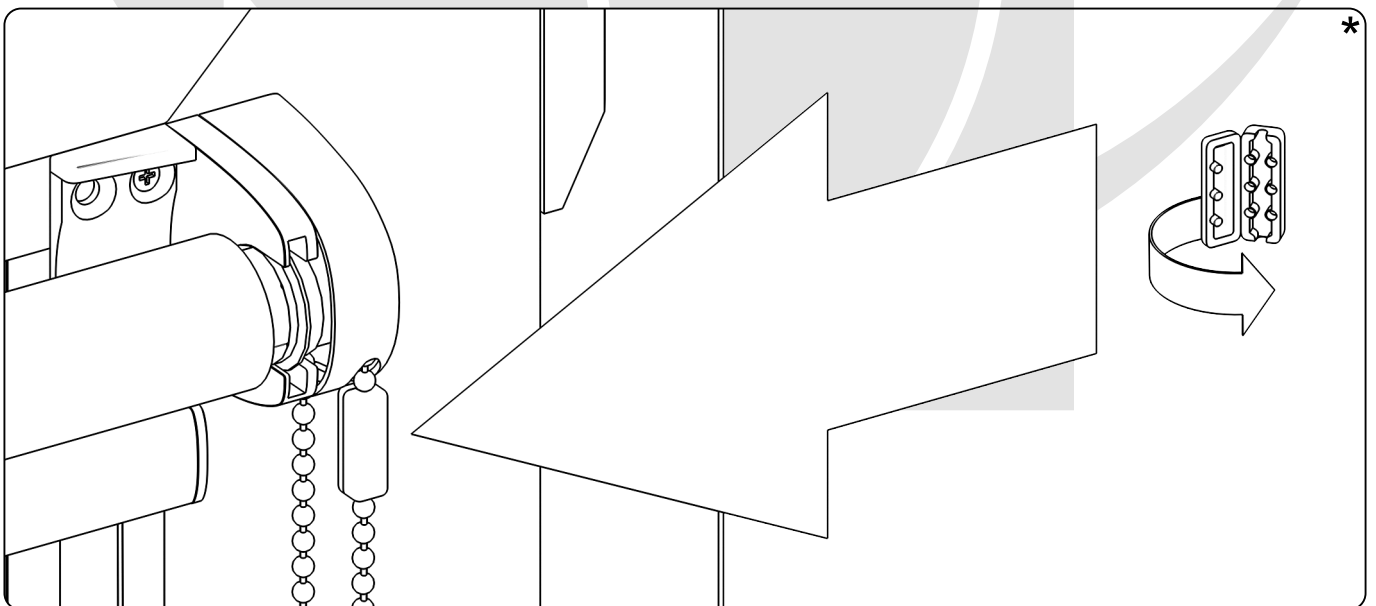
Loosening/tightening the side string



Installing chain connectors.

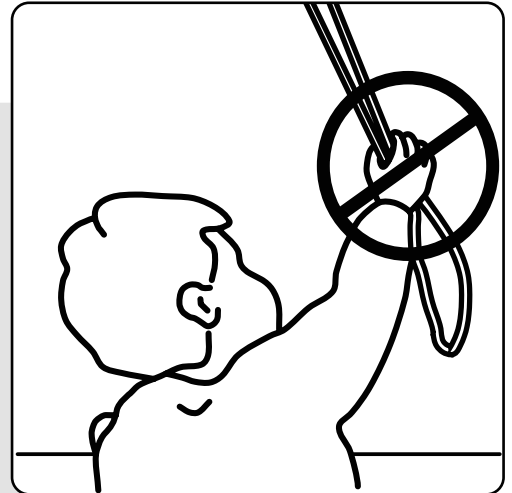


Set maximum top and bottom fabric position with the chain connectors.

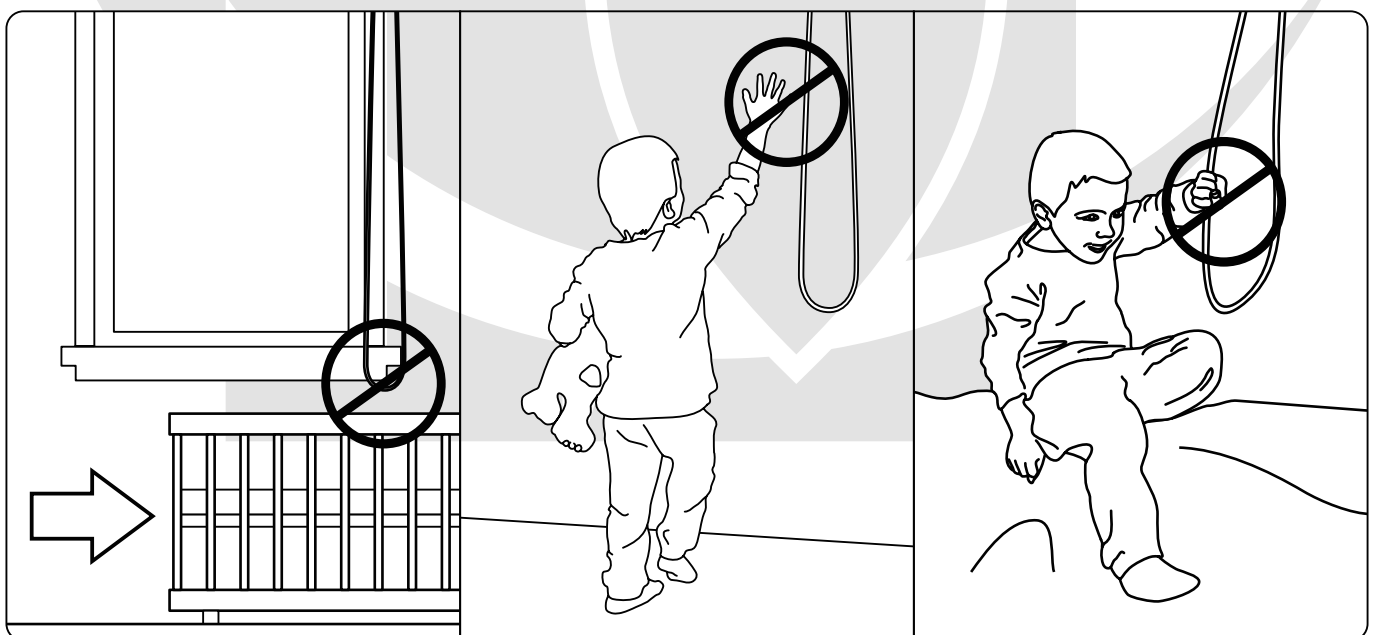
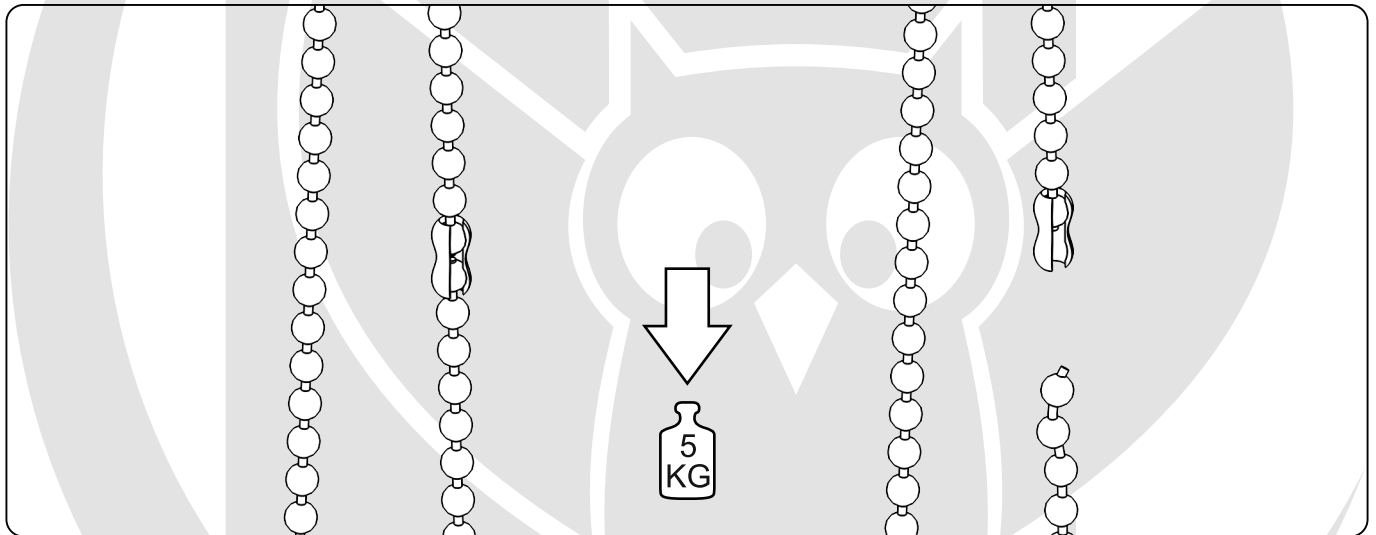


WARNING!

Small children can be strangled in the loops of cords, chains or belts used to operate roller blinds. Children can also wrap cords around their necks. Cords must be kept out of reach of children to avoid entanglement and strangulation. Move beds, cots and furniture away from window covering cords and chains.



To prevent accidental strangulation, all roller blinds are fitted with a chain-break connector as per **EN 13120:2009+A1:2014**.





Fart Produkt Sp. z o. o. Sp. k.
ul. Towarowa 3, 87-100 Toruń
tel. +48 56 623 55 77
e-mail: export@fartprodukt.pl
www.fartprodukt.pl