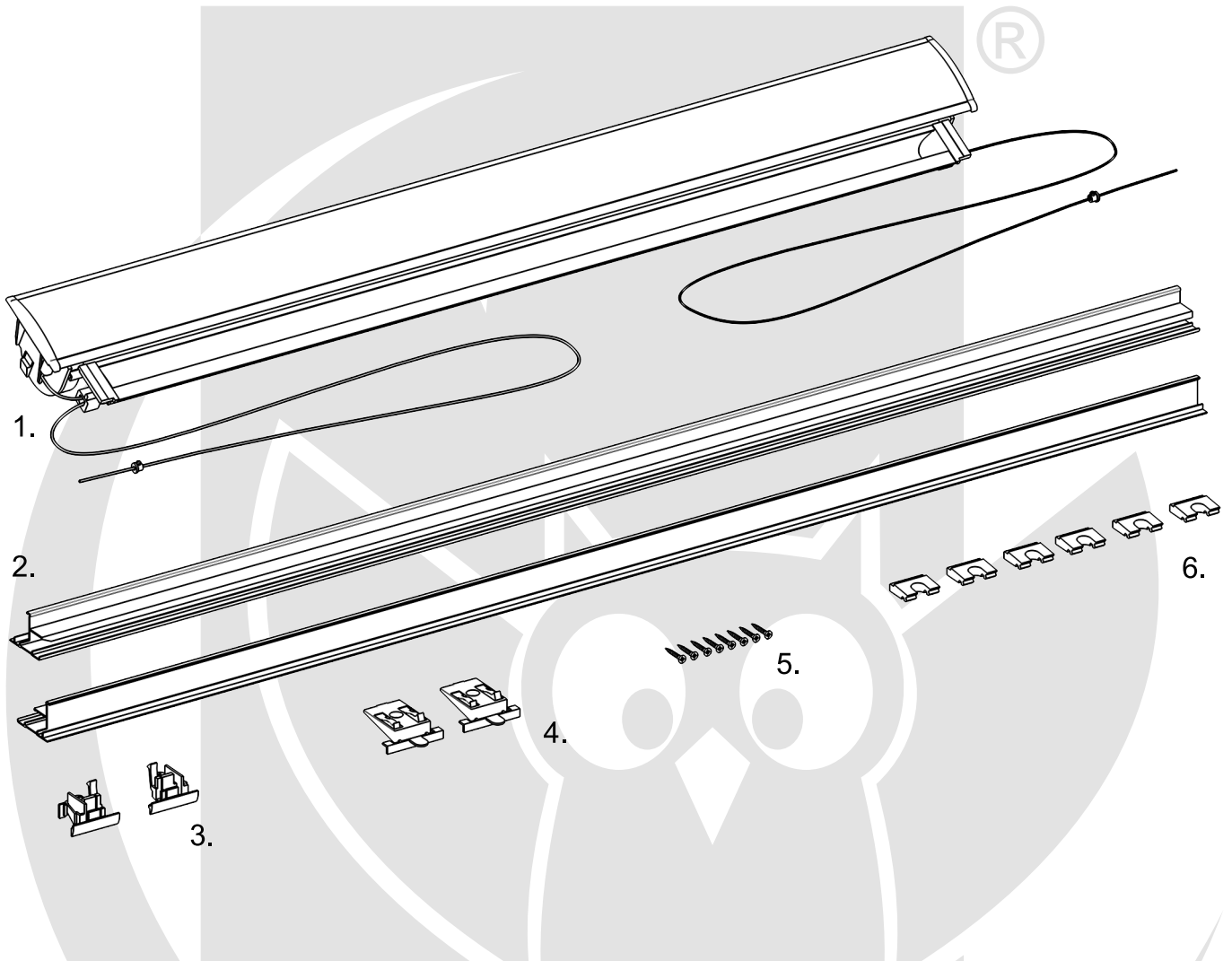




Installation instructions

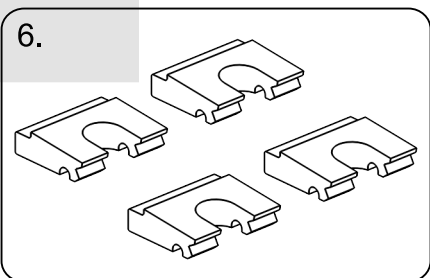
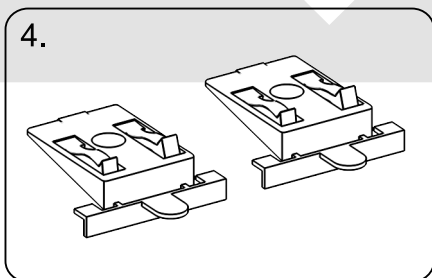
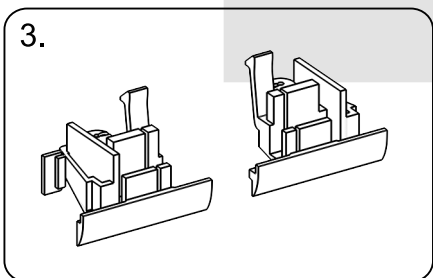
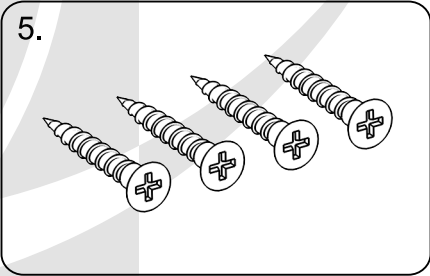
Skylux - fabric roller blind for roof windows

Delivery should contain:




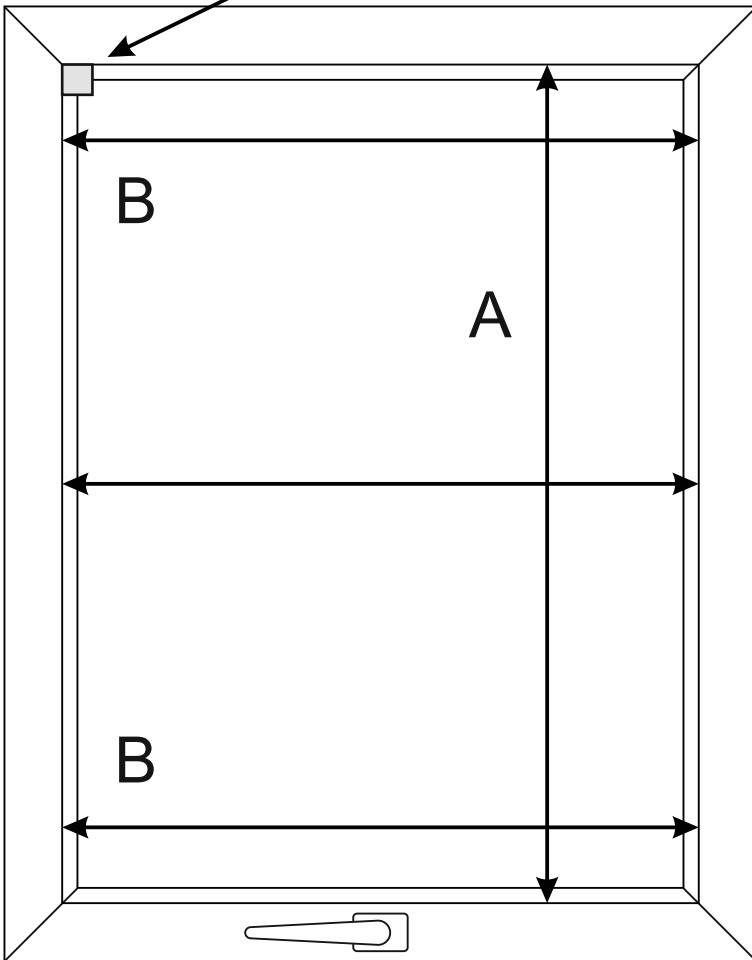
- 1. Cassette.
- 2. Guides.
- 3. End caps for guides.
- 4. Mounting bracket.*
- 5. Screws.
- 6. Brackets of guides.*

* depending on the manufacturer and model of a specific window, we attach appropriate brackets and grapples, which may differ from those shown in the picture.



Measurement.

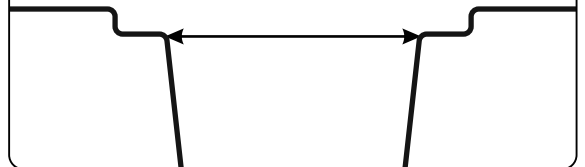
Some manufacturers may install additional elements in the corners of the window. In this case, without disassembling them, it is not possible to install the Sky lux roller blind. 



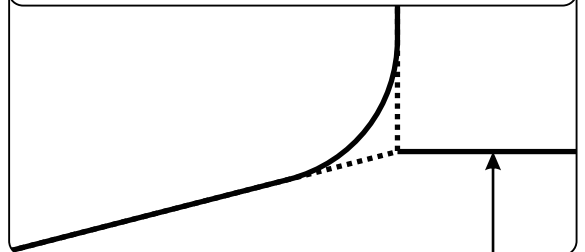
By placing the order it is necessary to enter the manufacturer of the window and its symbol.

Measure the distance between the edges of the frame crease. When it comes to width, the measurement must be made in 3 places. The lowest value is assumed as the correct one.

Measuring of windows with cut.



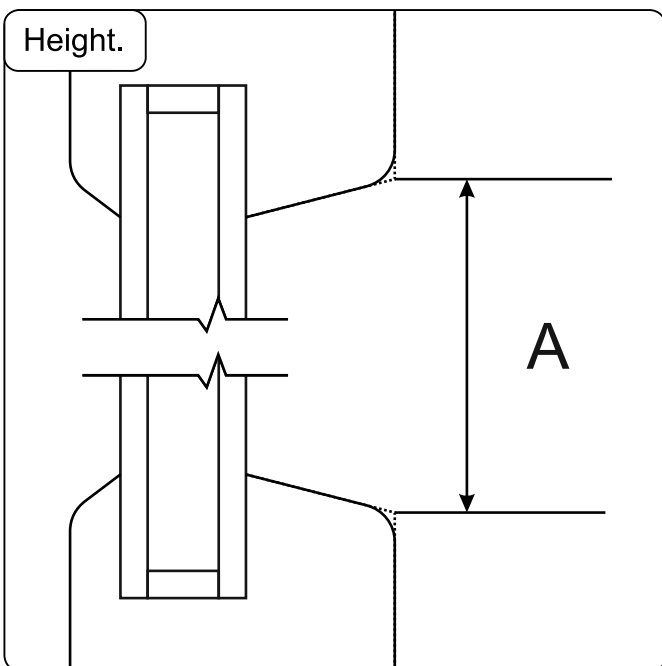
By measuring, pay attention to the possible rounding of the frame.



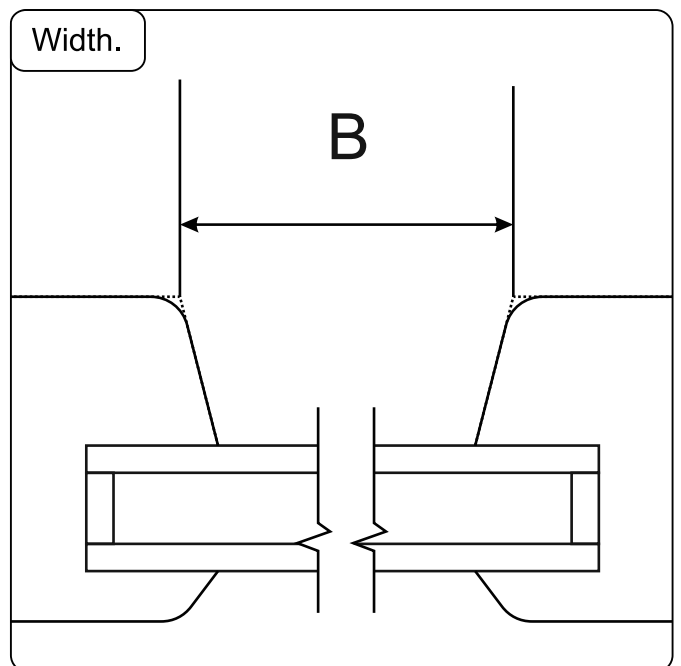
A – measurement height.

B – measurement width.

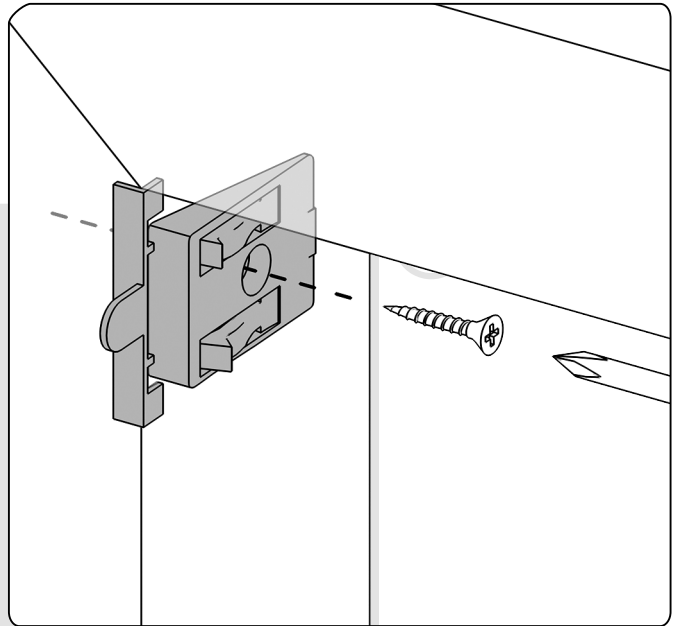
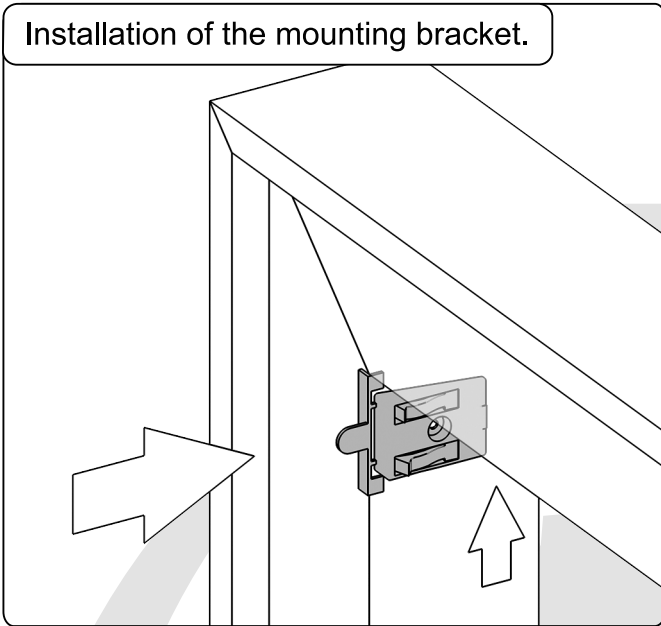
Height.



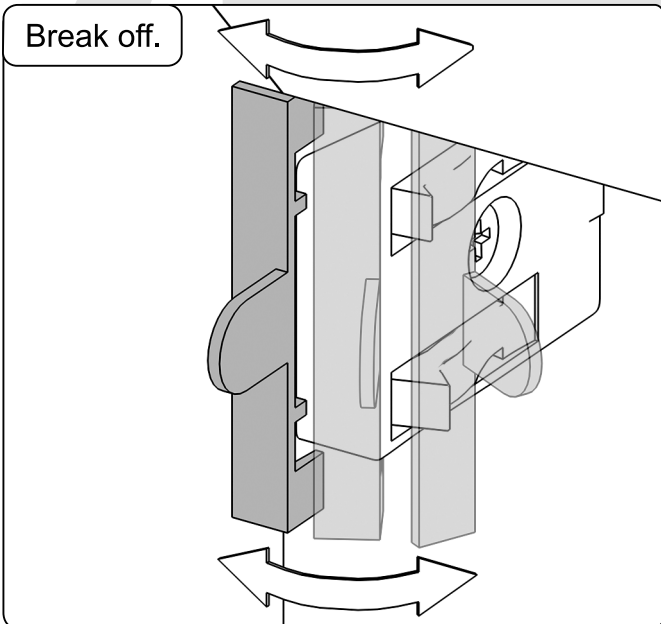
Width.



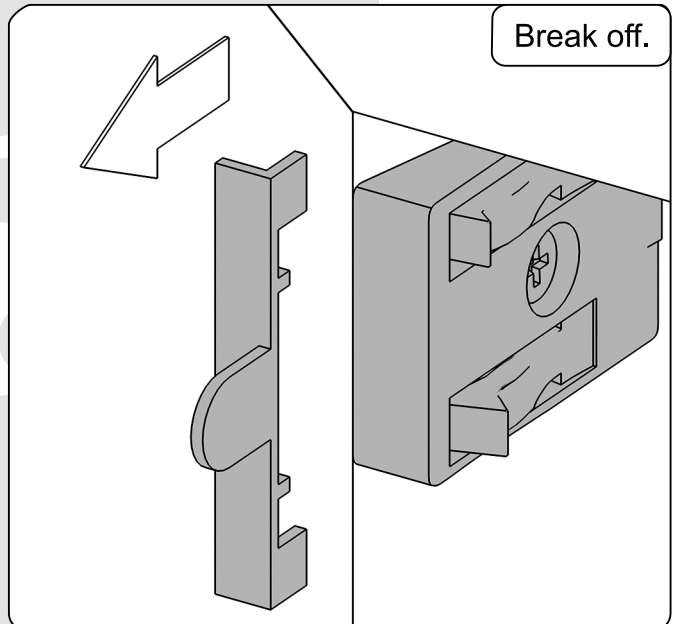
Installation of the mounting bracket.



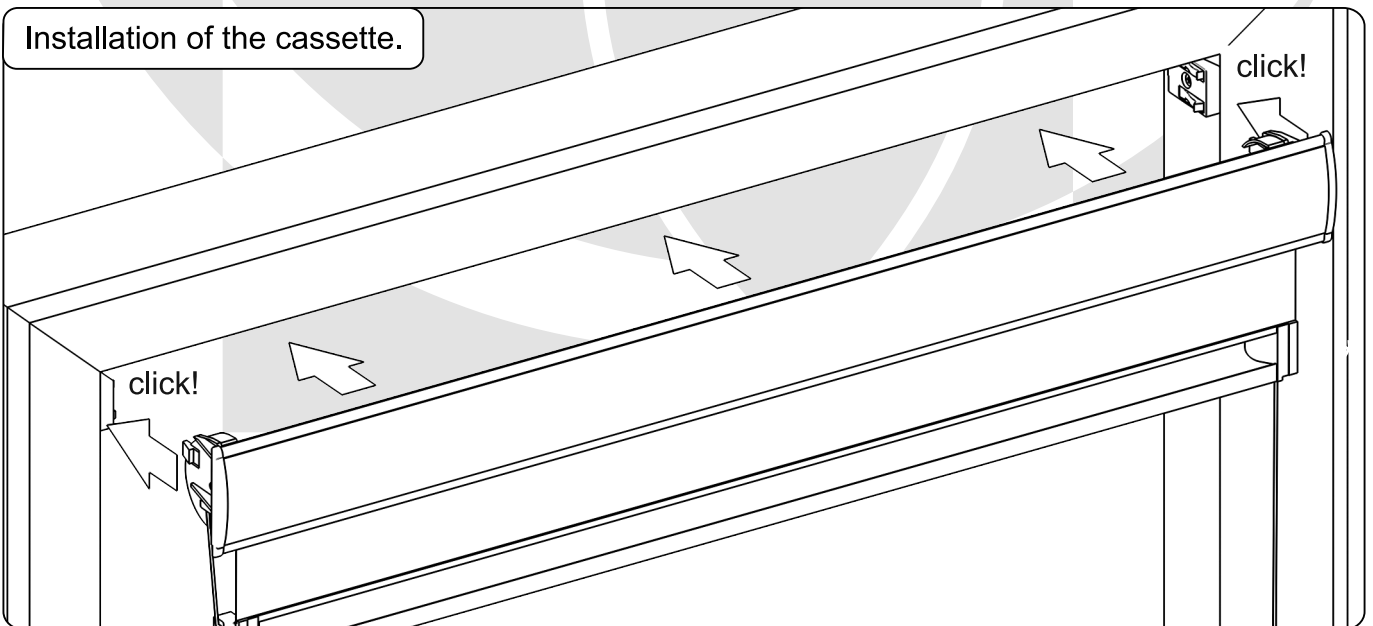
Break off.



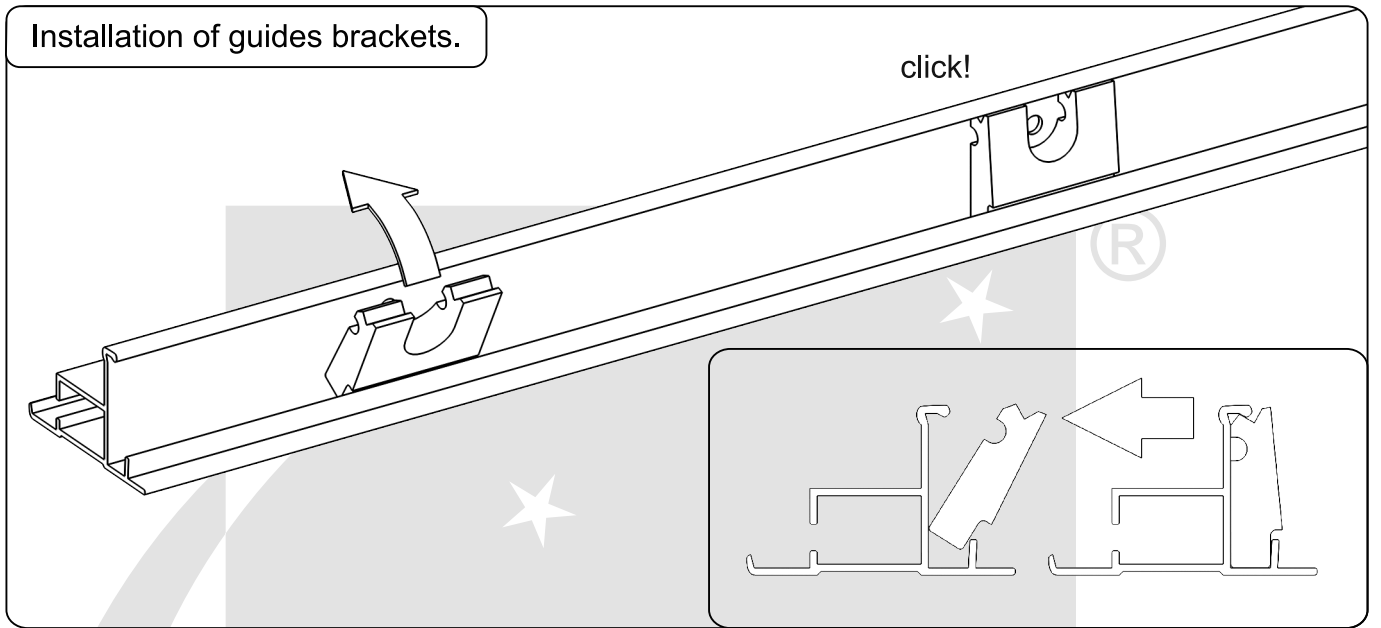
Break off.



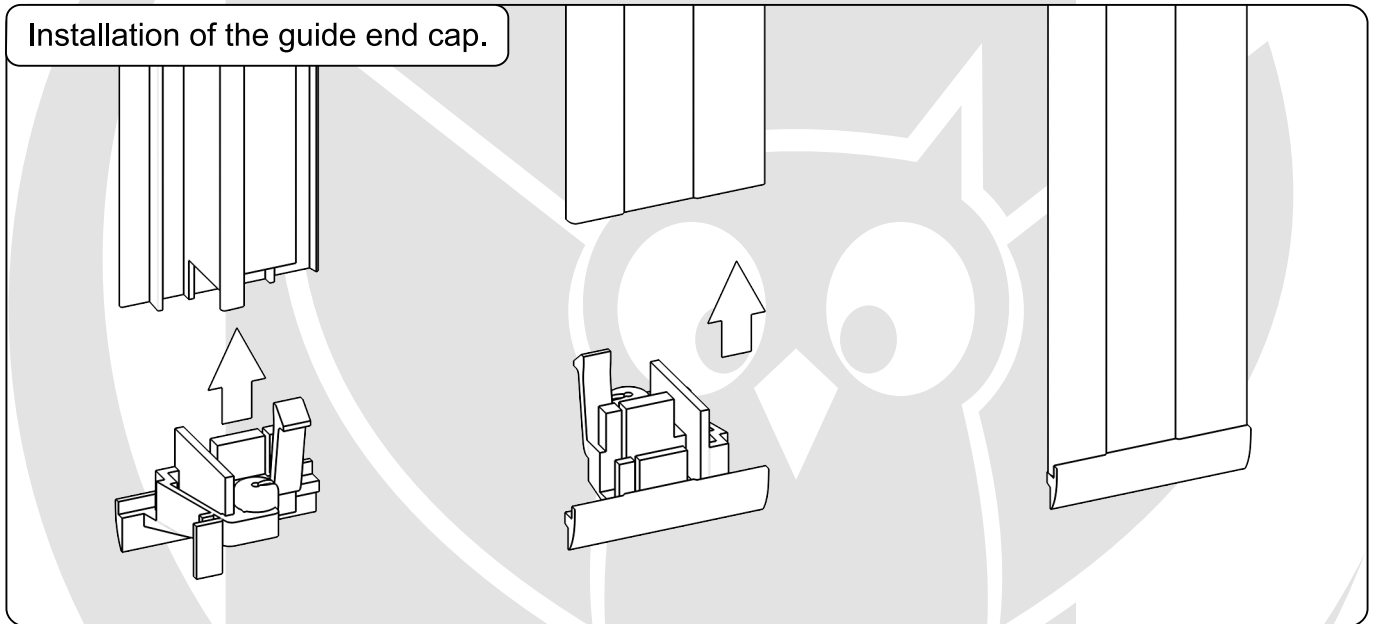
Installation of the cassette.



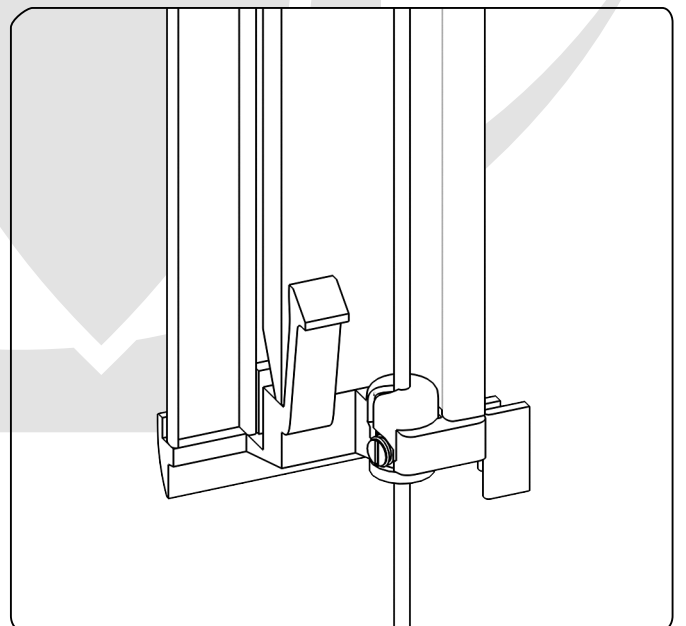
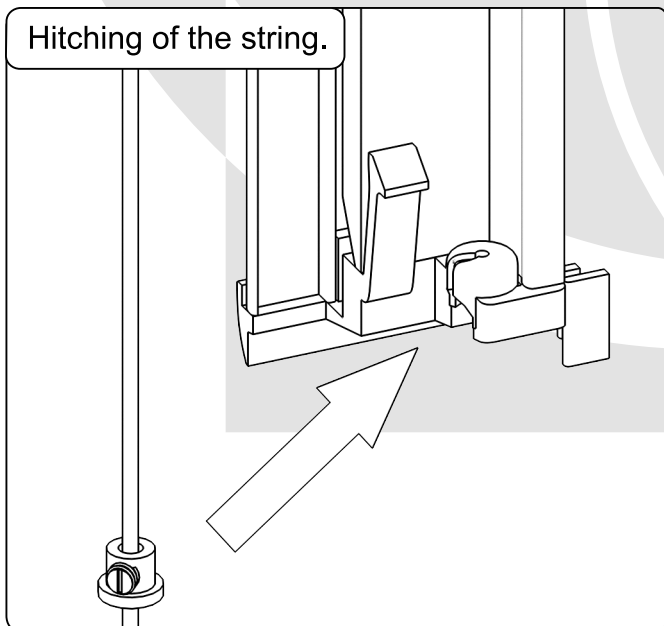
Installation of guides brackets.



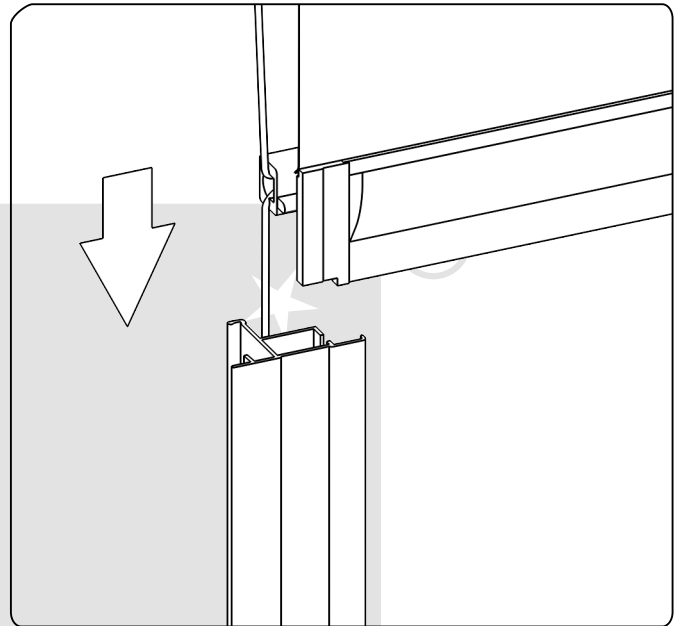
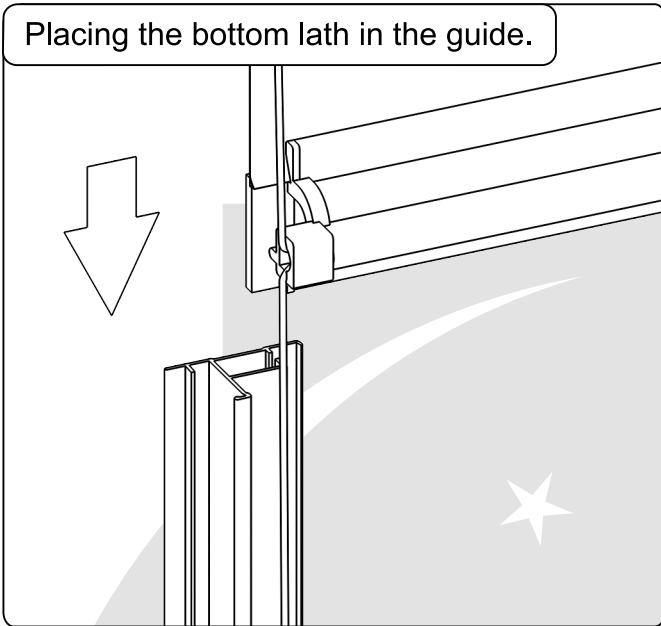
Installation of the guide end cap.



Hitching of the string.



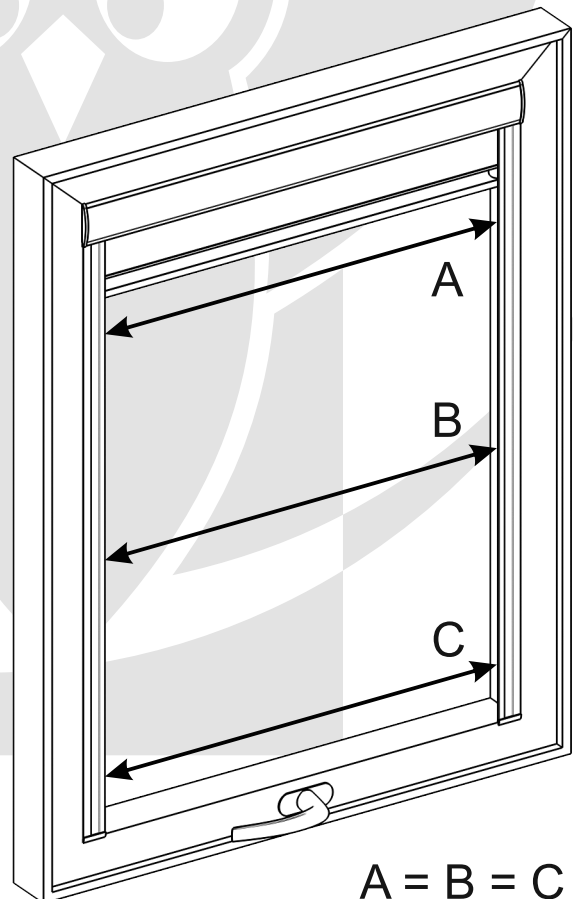
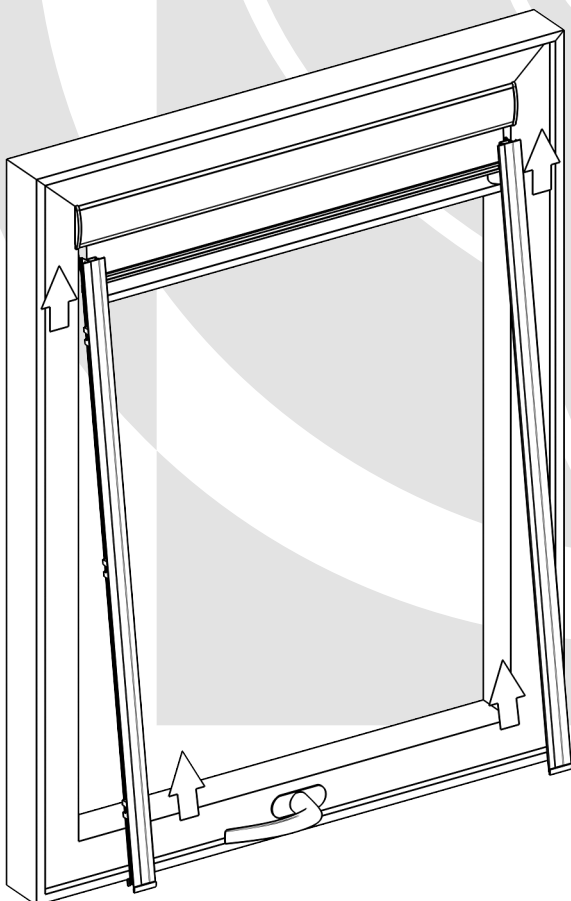
Placing the bottom lath in the guide.



Affixing of the guides.

After affixing the guides in place, before screwing them in, make additional measurements of the distance between them. If you get different results, use additional pads to equalize these distances.

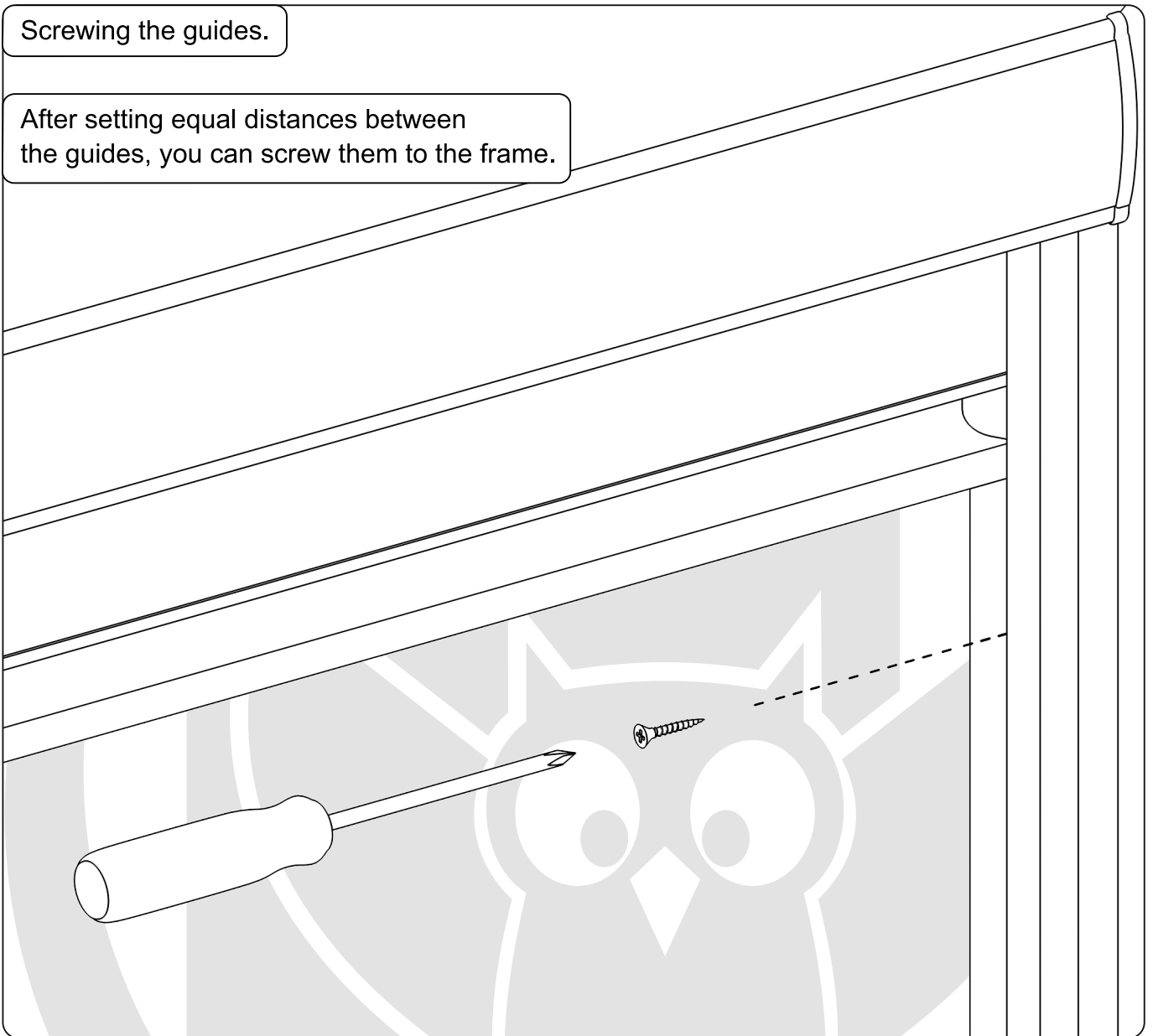
Additional pads are not included to the order.



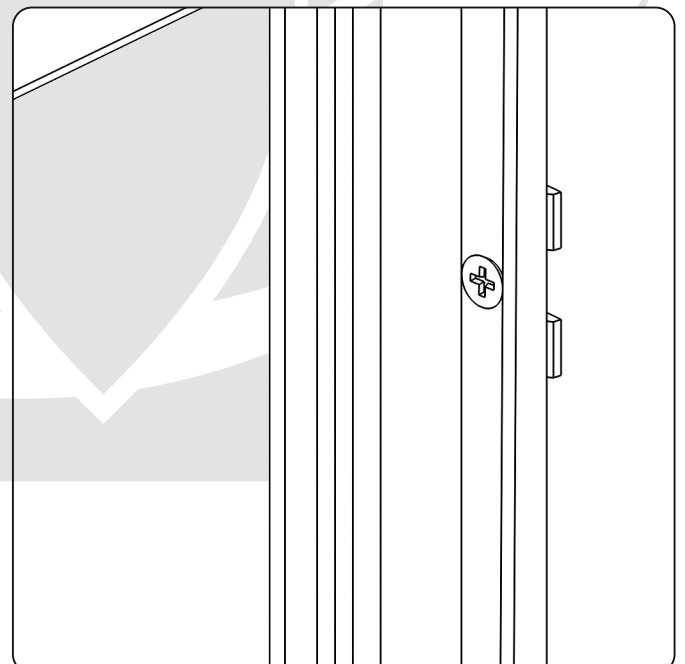
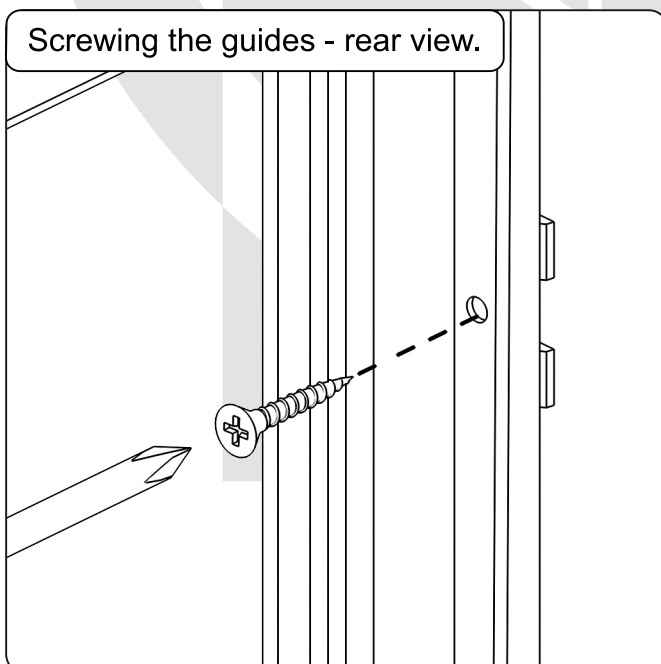
$$A = B = C$$

Screwing the guides.

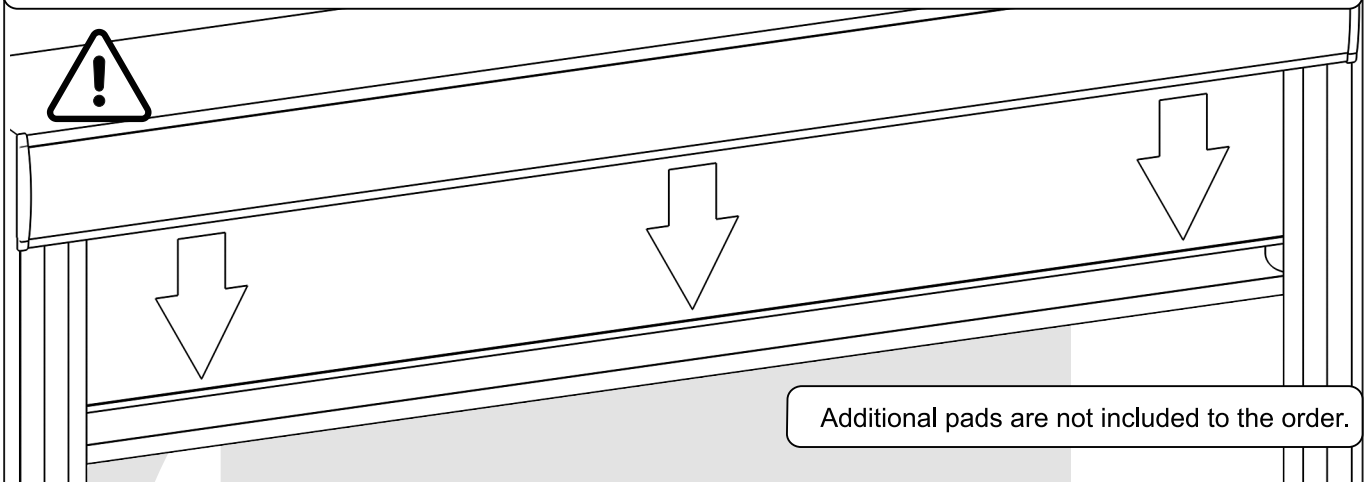
After setting equal distances between the guides, you can screw them to the frame.



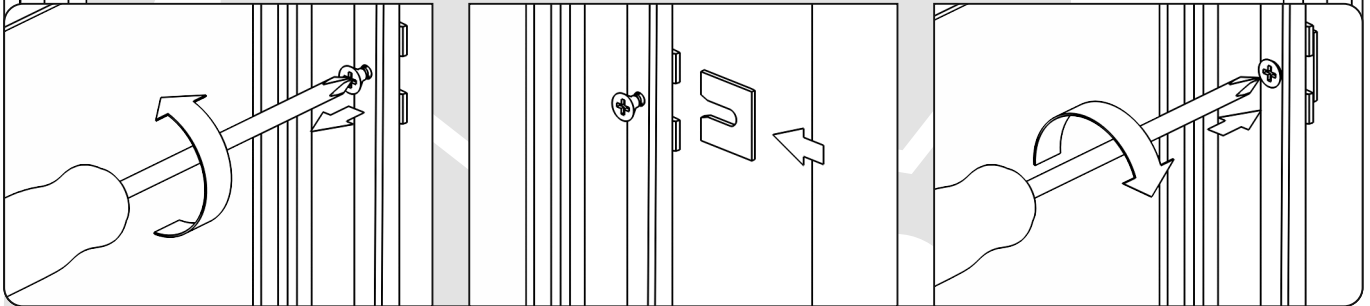
Screwing the guides - rear view.



After completing the installation, the roller shutter should be experimental lowered. If you feel resistance, do not pull at a push! Check which side there is resistance and install additional pads for the guides there. After installing additional pads, make sure that the guides are still parallel to each other and the distance between them is equal along their entire height.

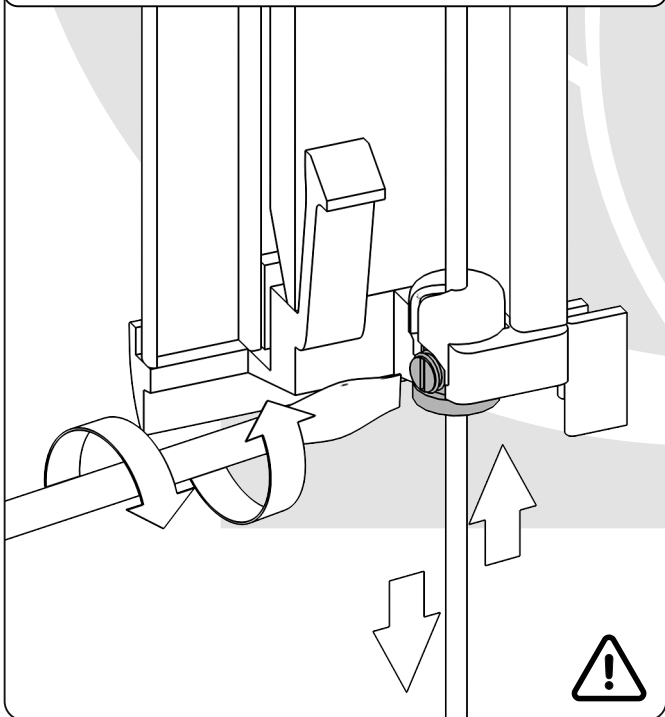


Additional pads are not included to the order.

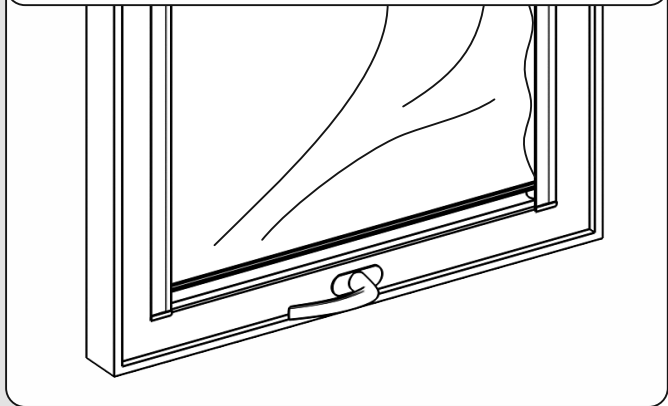


Strings adjustment.

By adjusting the strings, be careful not to tighten the screw too much. If it is tightened too much, the string may break.



The formation of folds in the lowered position is a result of uneven string tension. In this case, adjust their tension.



The strings tension balances the force of the spring located in the cassette. Their correct adjustment means that the roller blind does not move back automatically and does not resist while using.

- If:
- the roller blind rolls up by itself – increase the string tension;
 - the roller blind resists while using – reduce the tension of the strings;



Fart Produkt Sp. z o. o. Sp. k.
ul. Towarowa 3, 87-100 Toruń
tel. +48 56 623 55 77
e-mail: export@fartprodukt.pl
www.fartprodukt.pl