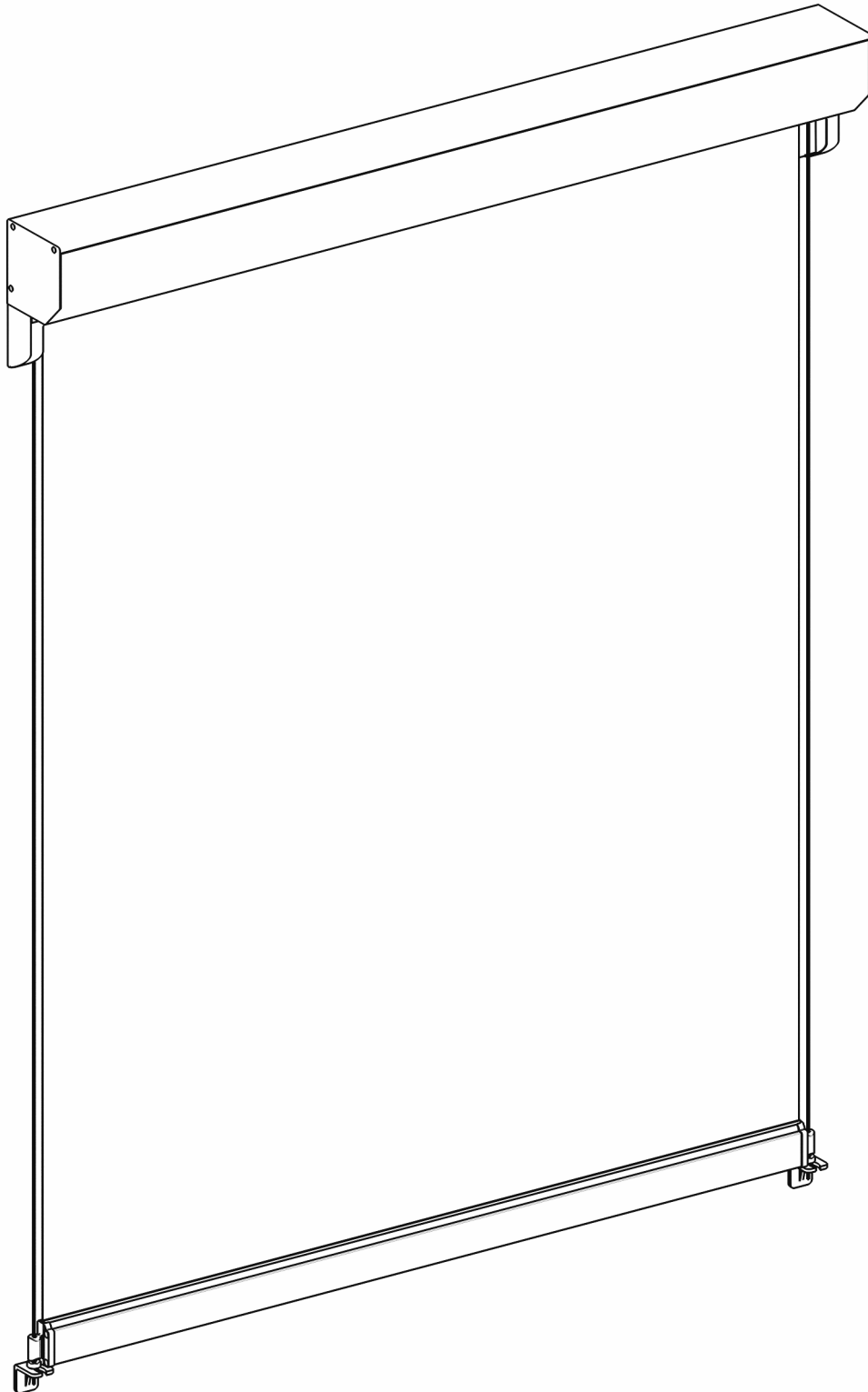
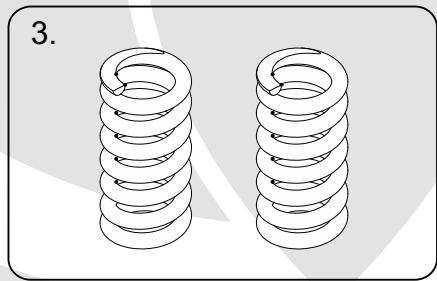
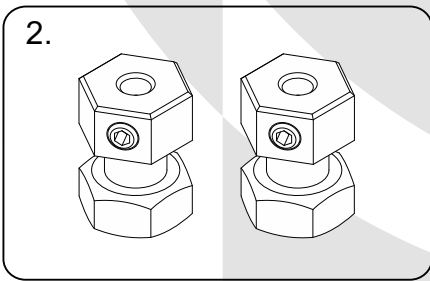
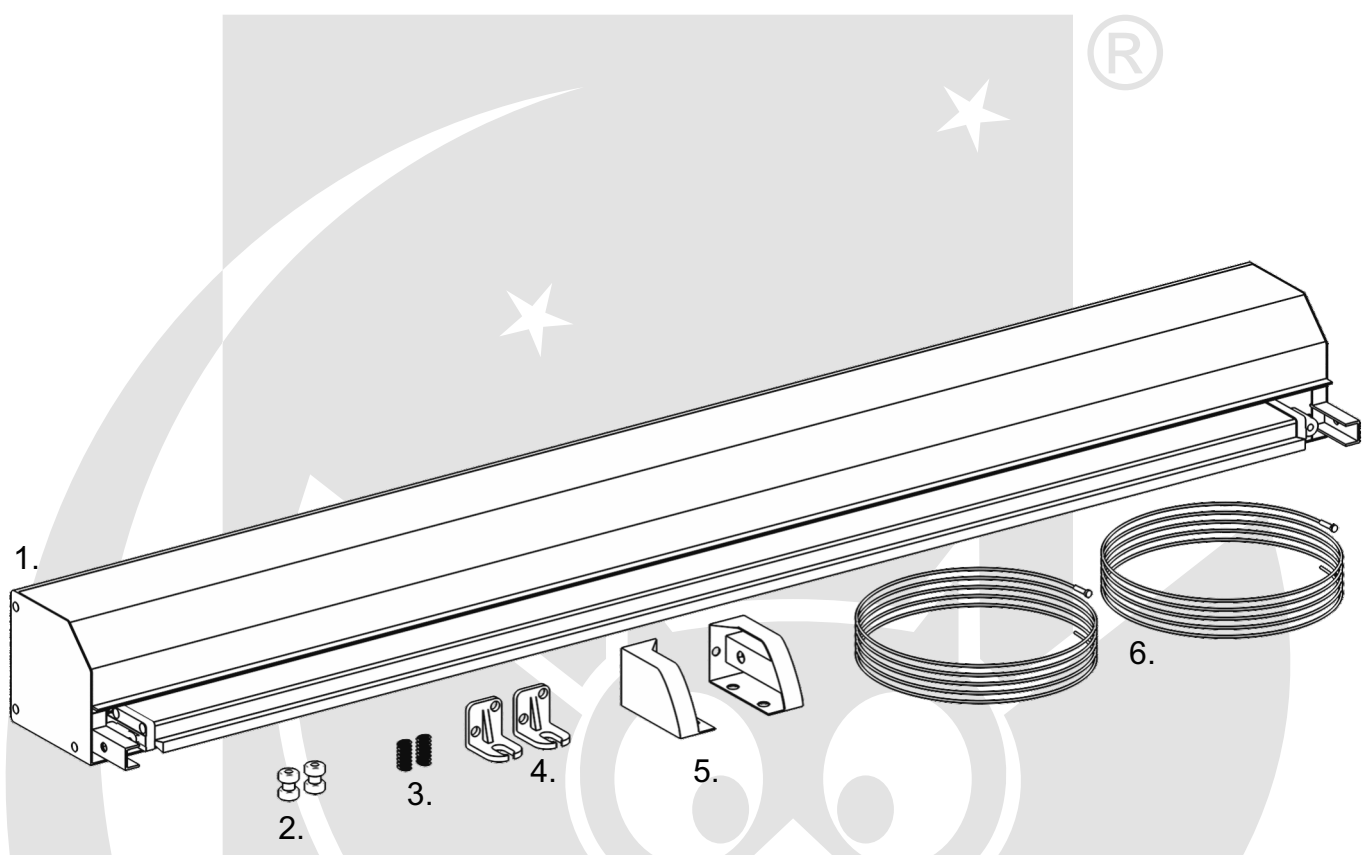
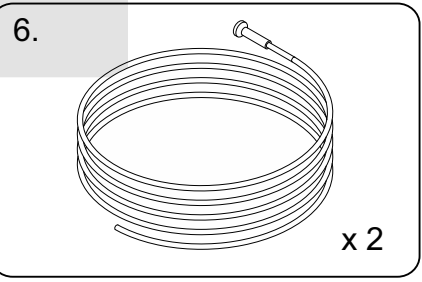
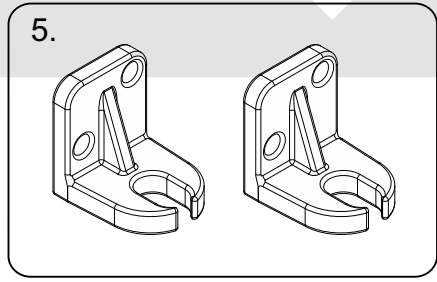
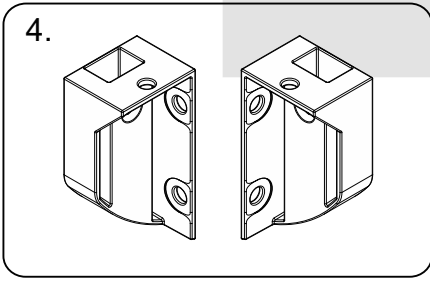

SCREEN Premium, guidance with steel cables



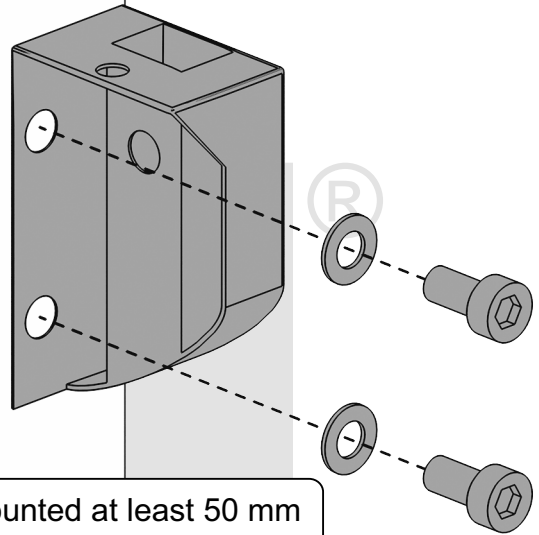
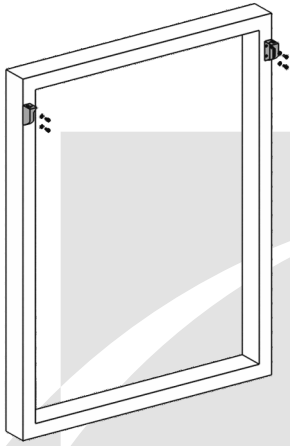
The delivery should include:



- 1. Cassette with cover.
- 2. Cable clamps.
- 3. Pressure springs.
- 4. Cassette brackets.
- 5. Cable holders.
- 6. Steel cables.

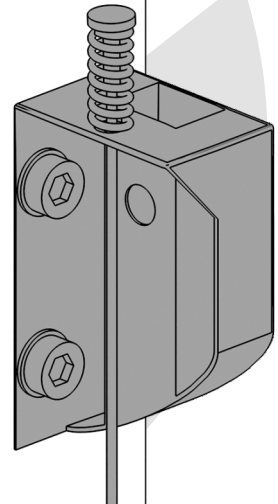
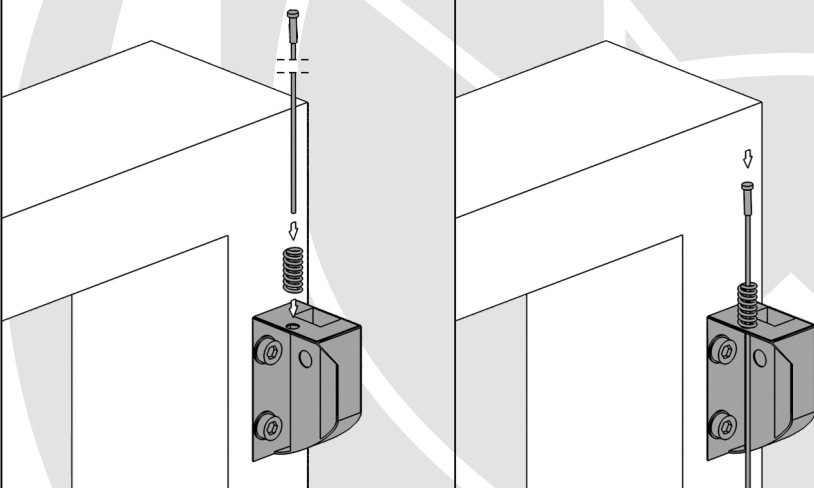


Mounting the cassette brackets.



When installing in a recess, the bracket should be mounted at least 50 mm below the upper edge of the recess + the height of the box.

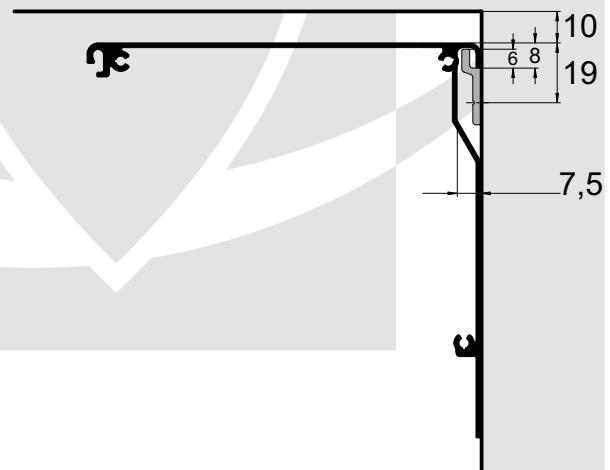
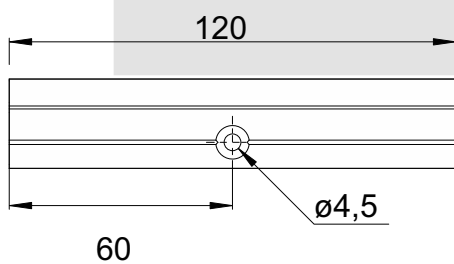
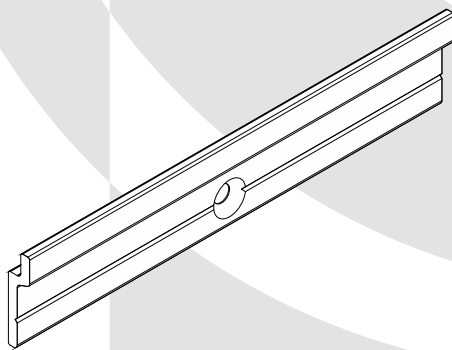
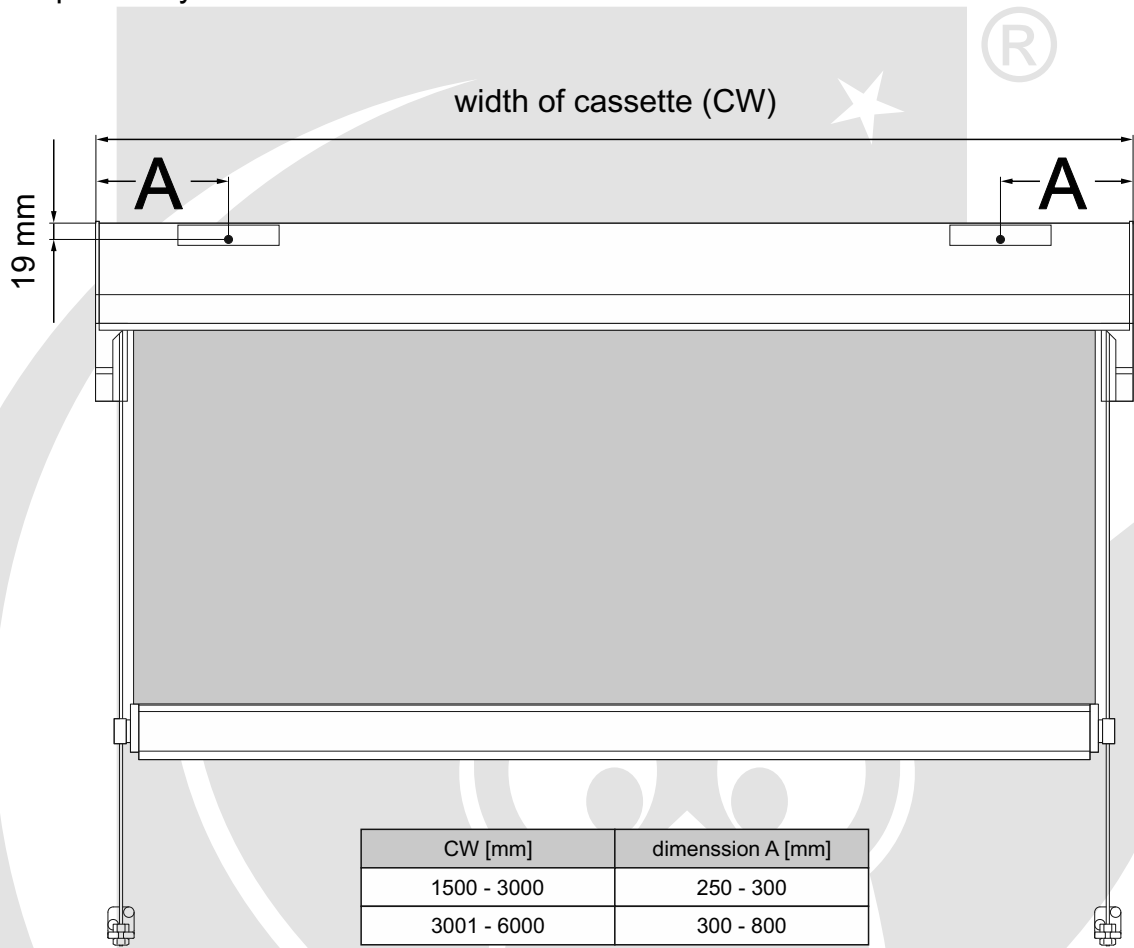
Installation of a pressure spring and a steel cable.



Slide the pressure spring onto the steel cable, which should be threaded through the hole in the bracket.

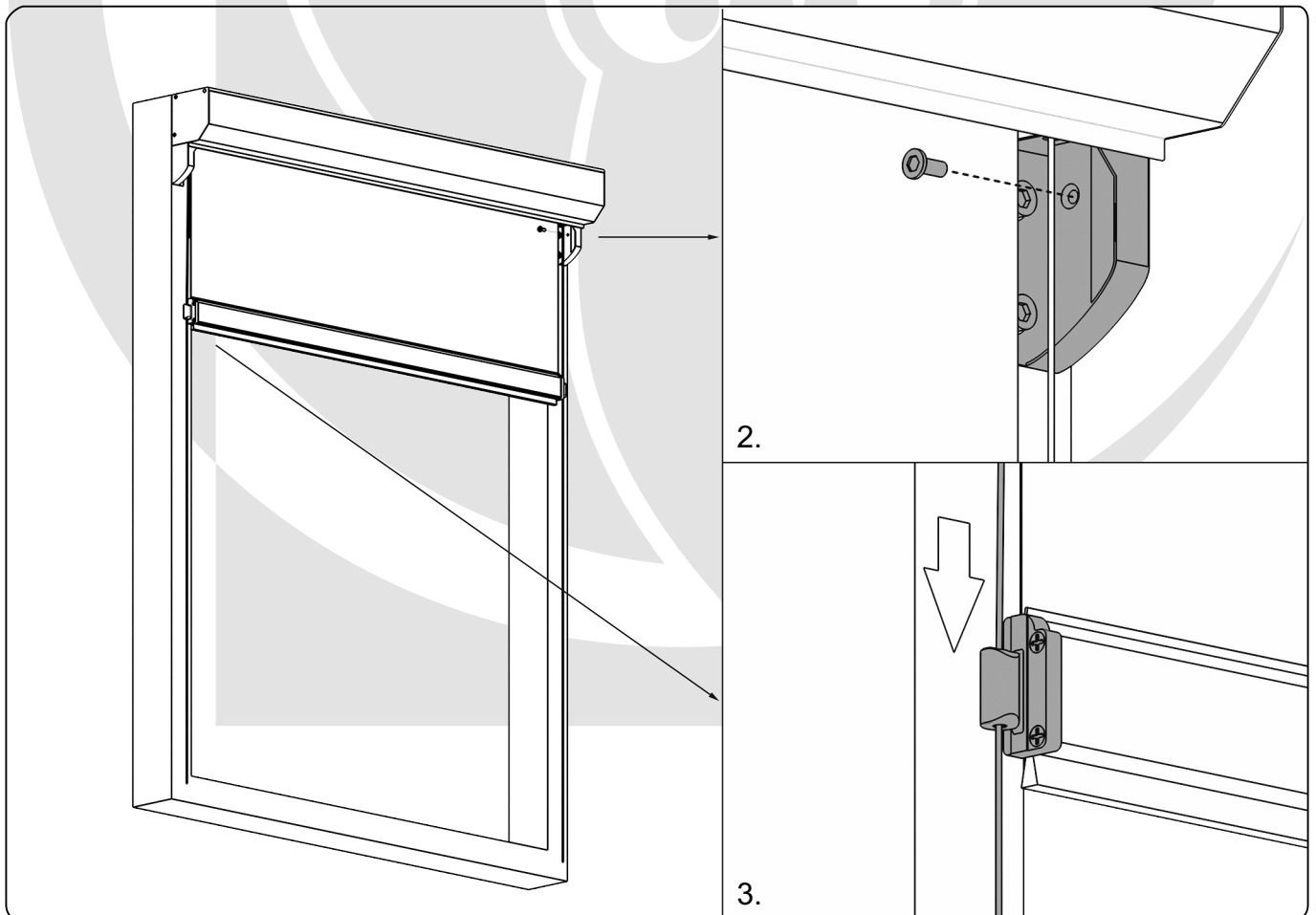
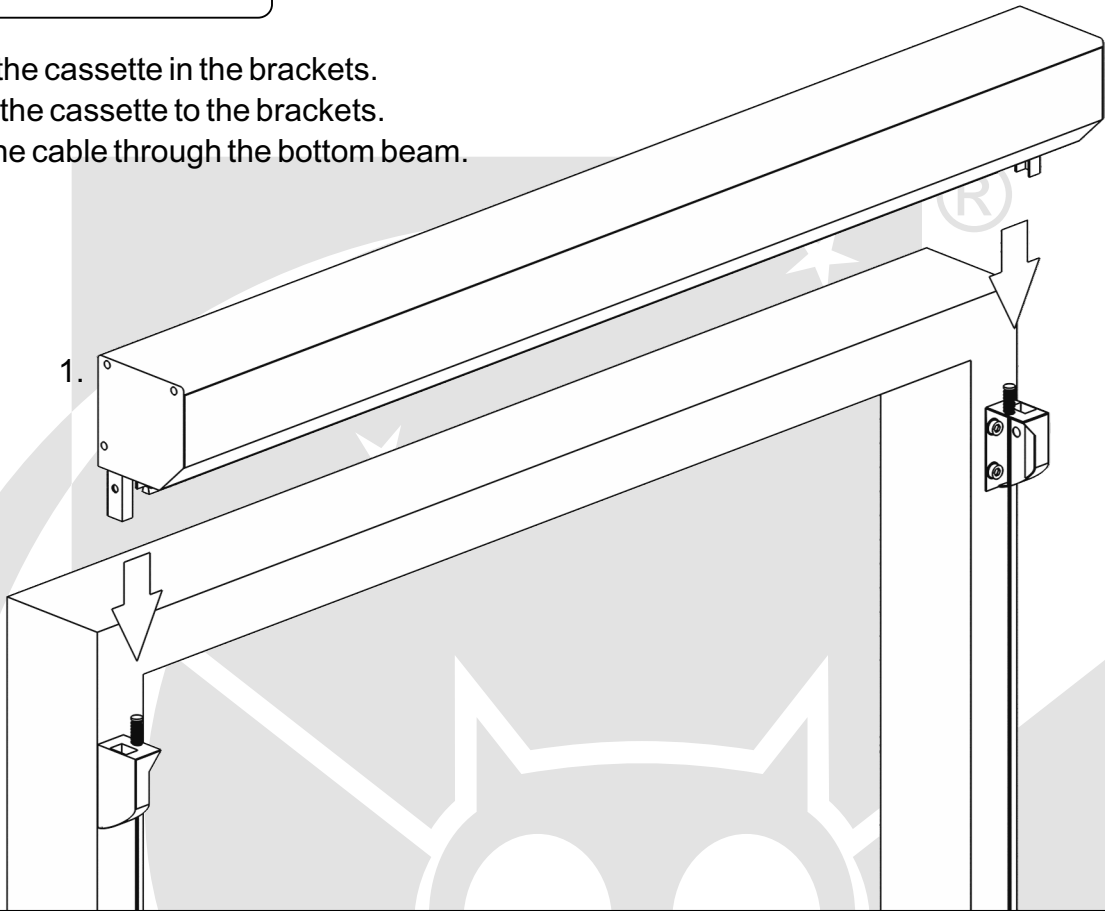
Cassette mounting clip (125 mm cassettes only).

By cassettes 125 mm high and ≥ 105 mm wide, the cassette mounting clips can be used. Clips facilitate installation and reduce the load on the cassette brackets, and the box can be hung on them independently of the brackets.

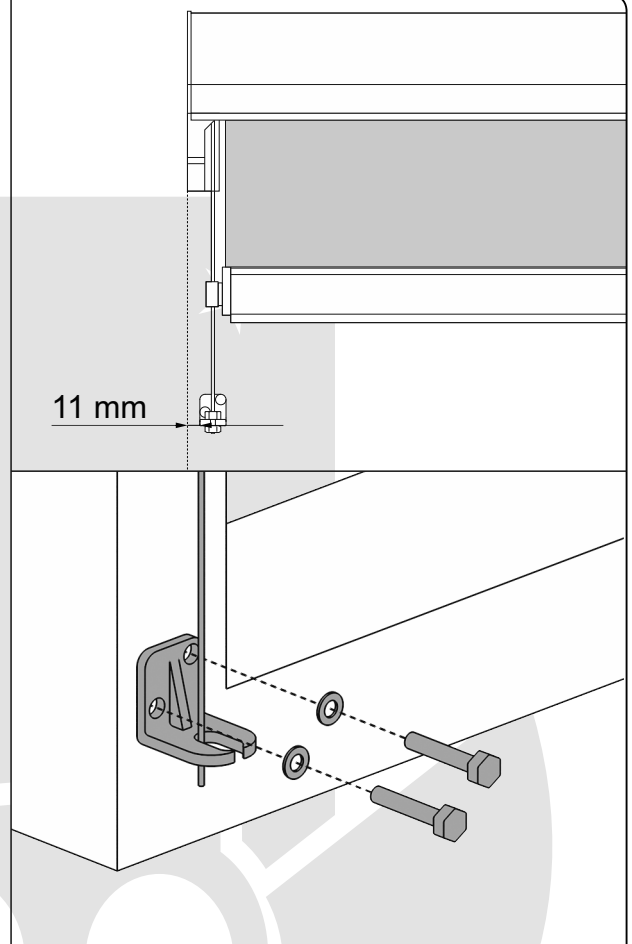
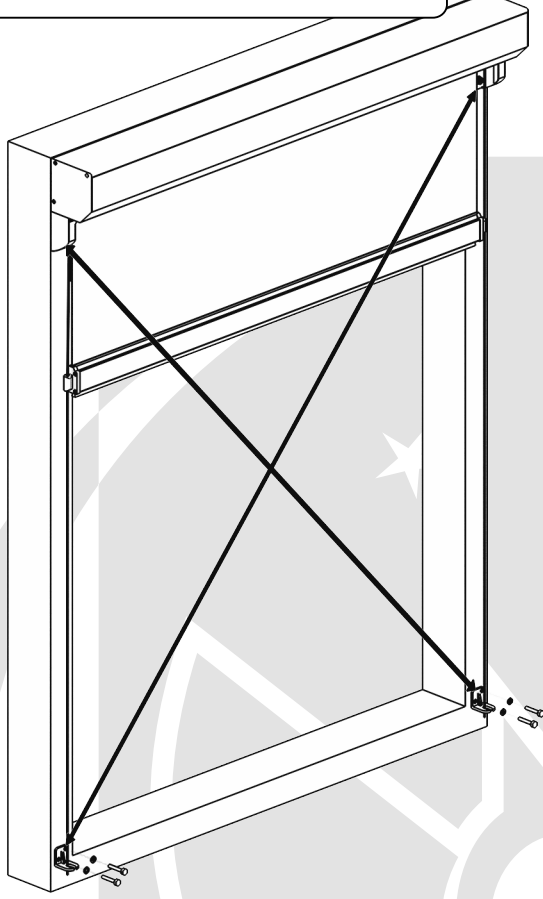


Installation of the cassette.

1. Install the cassette in the brackets.
2. Screw the cassette to the brackets.
3. Pass the cable through the bottom beam.

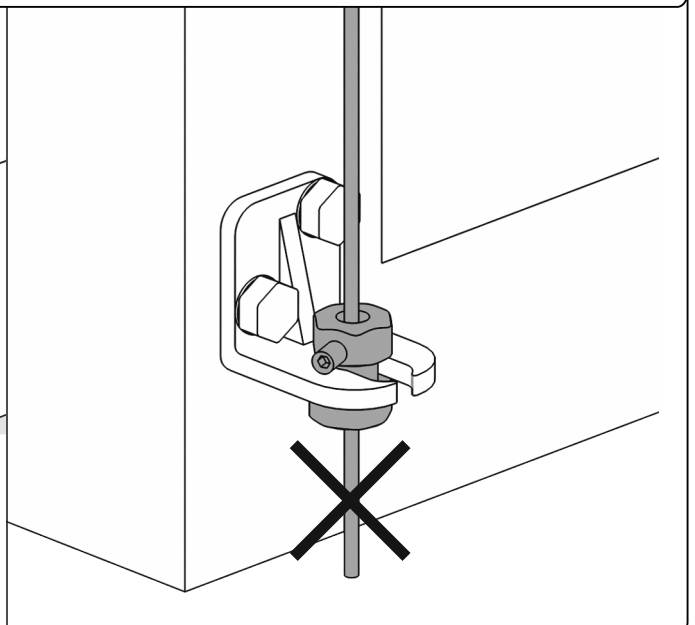
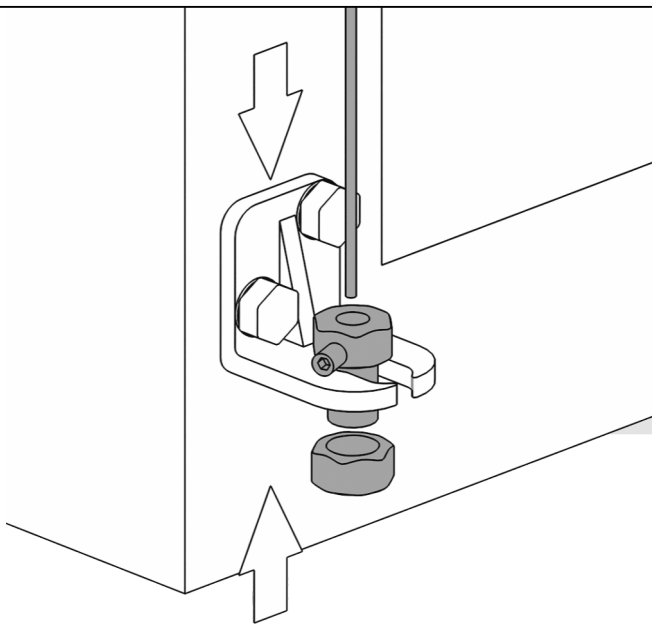


Installation of the steel cable holders.



While installing of the cable and cable holders, make sure that the cables are the same lengths and run perpendicular to each other. The diagonals between the 2 brackets and the 2 cable holders must be equal. The distance from the outer edge of the cable guide bracket to the outer edge of the cassette bracket is approximately 11 mm.

Fasten the cable holders with using of 2 hexagonal bolts and washers. Place the cable clamp in each angle iron and tighten the nut. Guide the steel cables through them, tension them and fix them with the set screws. Cut off the protruding steel cable at the bottom flush with the cable clamp.





Fart Produkt Sp. z o. o. Sp. k.
ul. Towarowa 3, 87-100 Toruń
tel. +48 56 623 55 77
e-mail: export@fartprodukt.pl
www.fartprodukt.pl