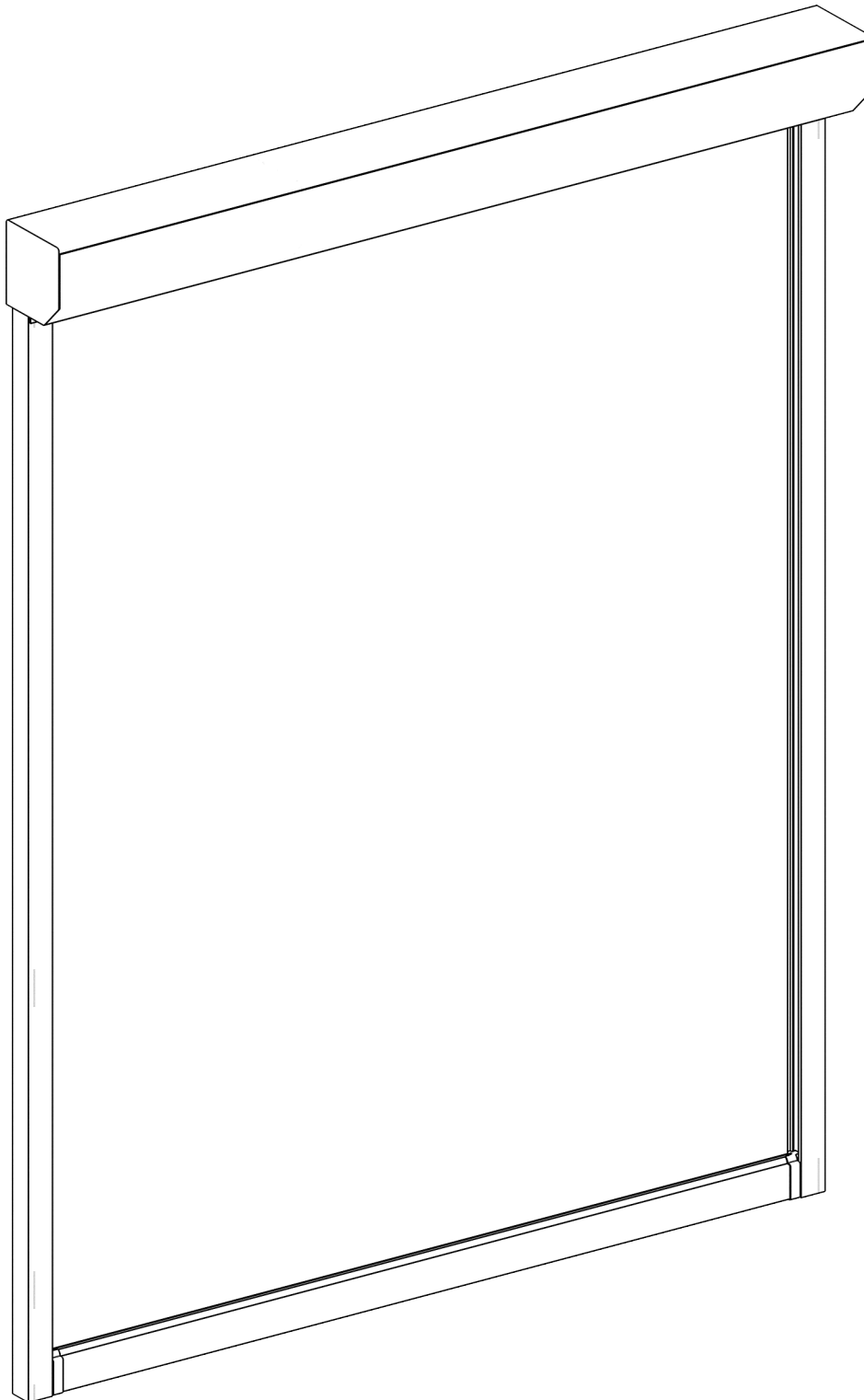
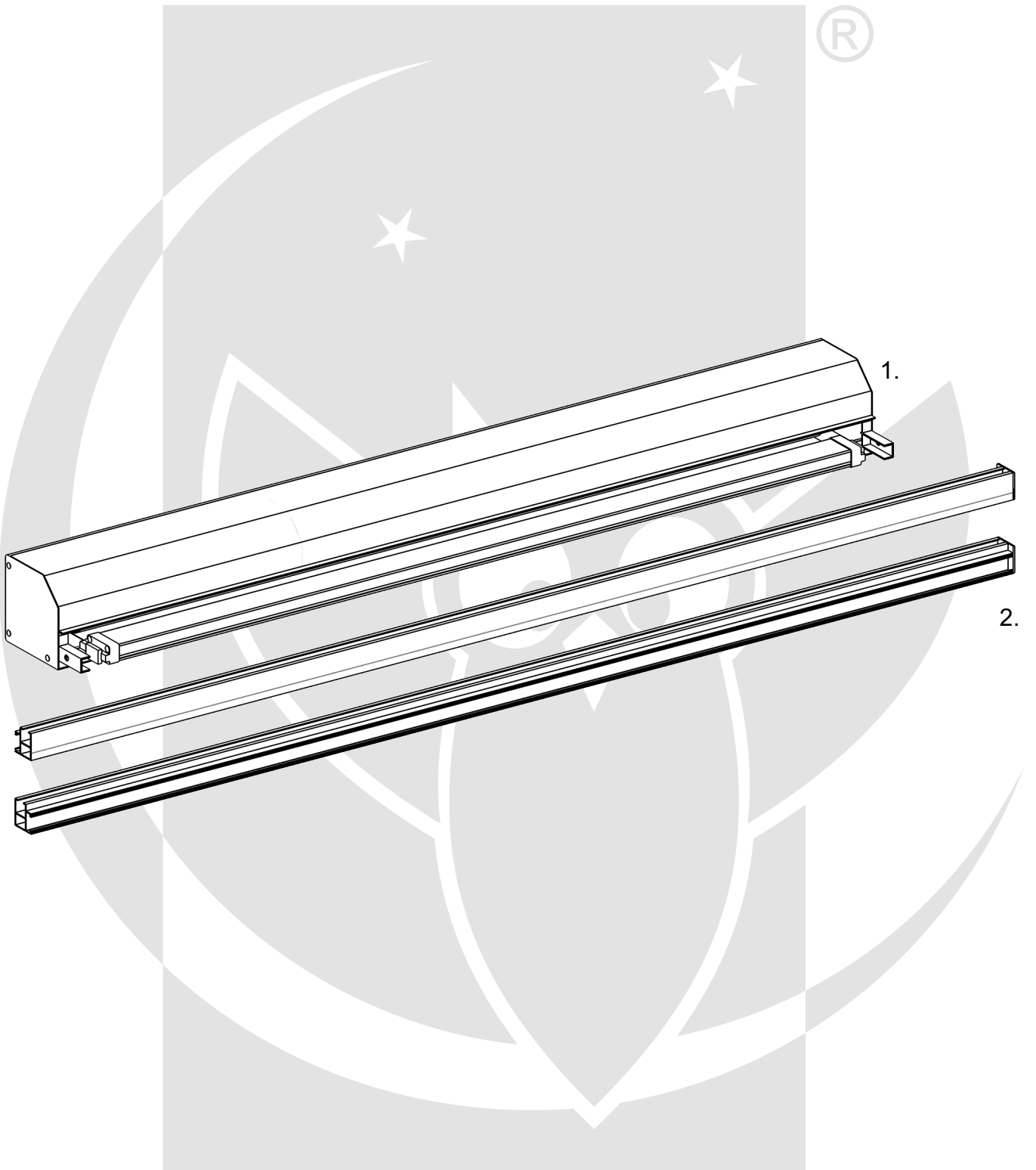

SCREEN Premium, guidance - bottom beam in the guides



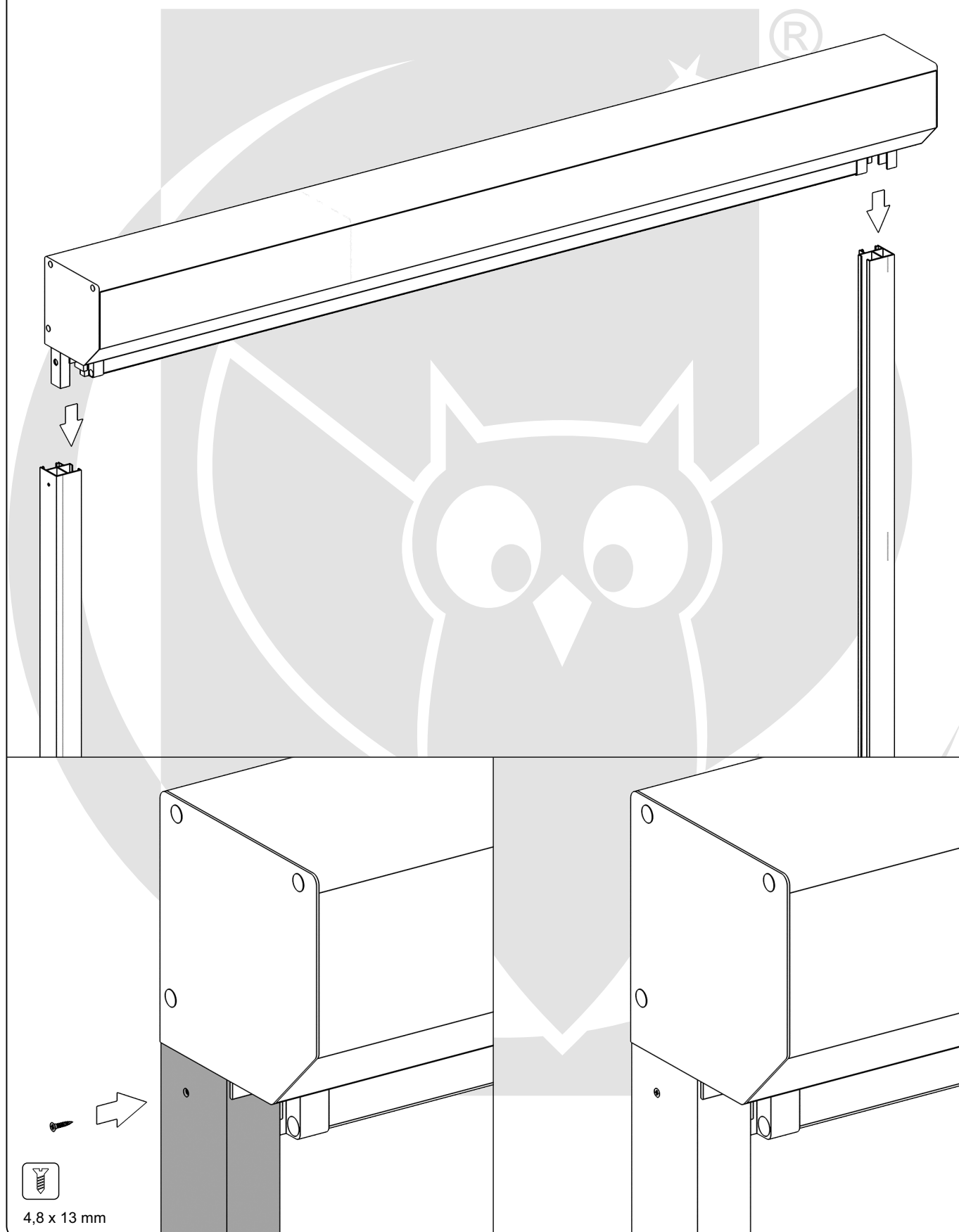
The delivery should include:



1. Cassette with cover.
2. Sideguides.

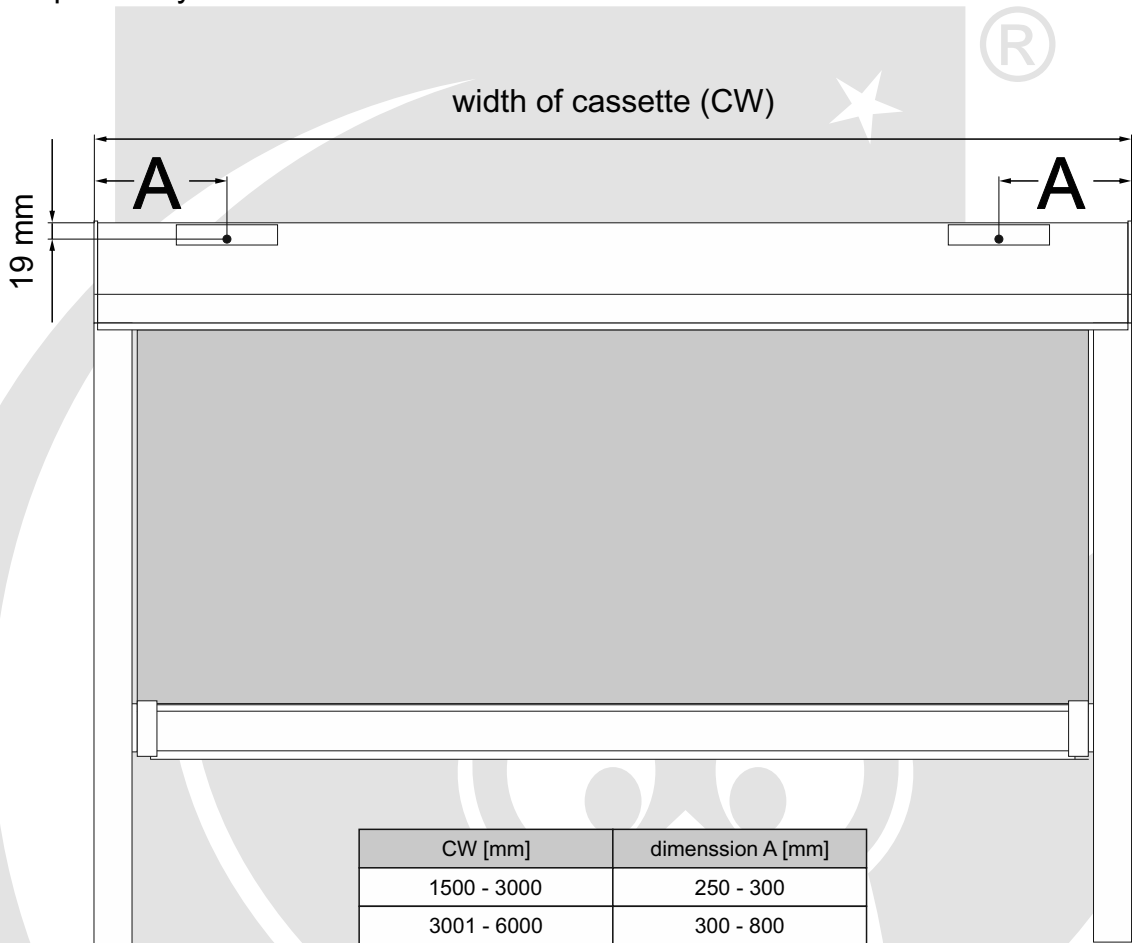
Assembling the cassette and guides.

1. Insert the cassette into the guides.
2. Twist the cassette and the guides together.

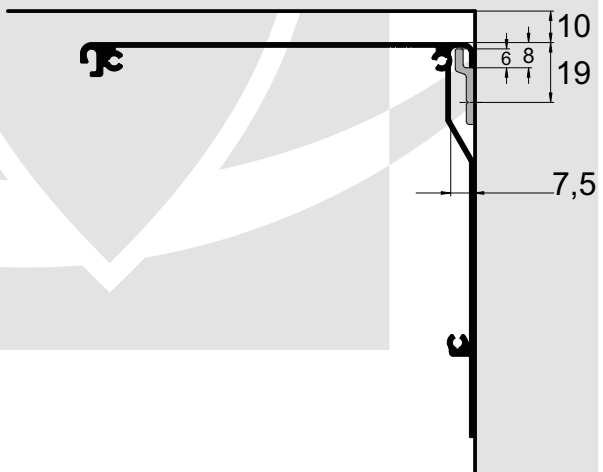
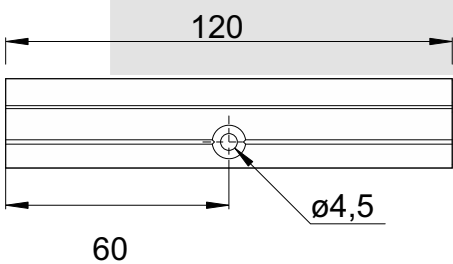
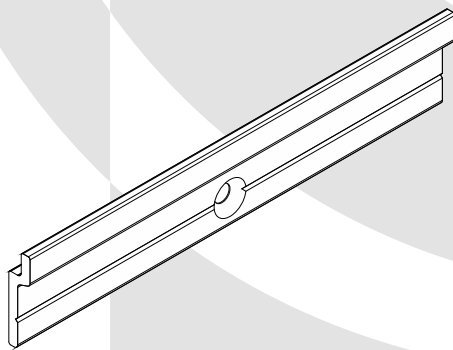


Cassette mounting clip (125 mm cassettes only).

By cassettes 125 mm high and ≥ 105 mm wide, the cassette mounting clips can be used. Clips facilitate installation and reduce the load on the cassette brackets, and the box can be hung on them independently of the brackets.



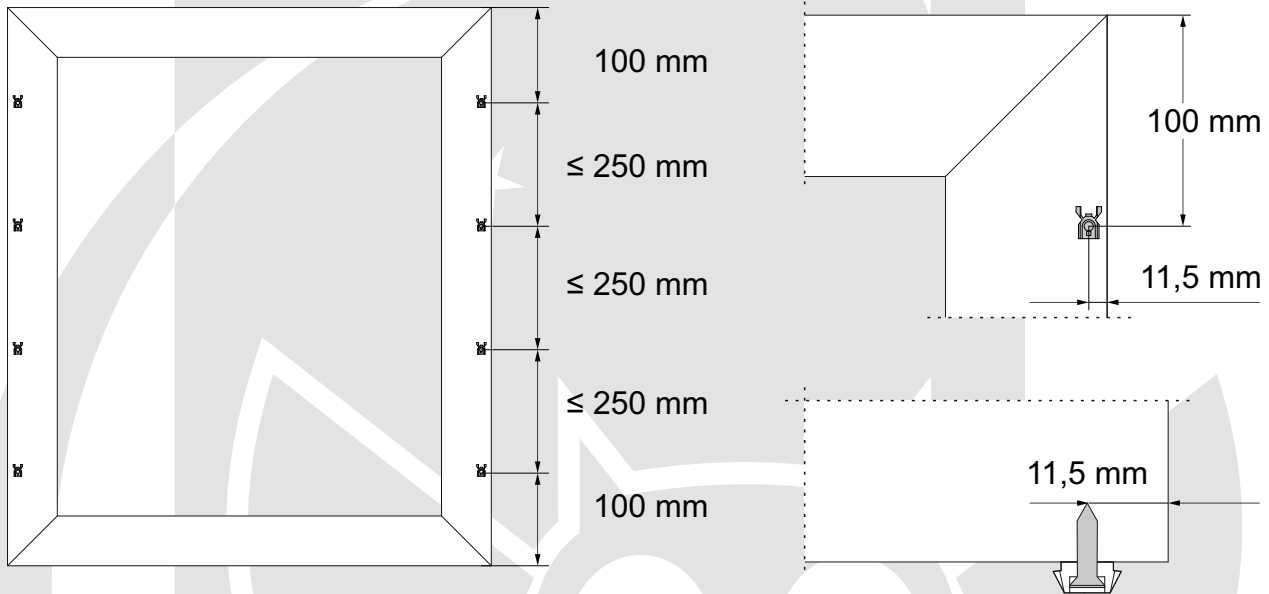
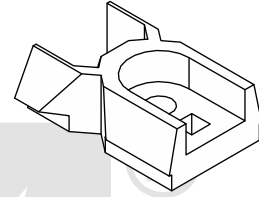
CW [mm]	dimension A [mm]
1500 - 3000	250 - 300
3001 - 6000	300 - 800



Mounting the SCREEN blind (remember to connect the power cable!).

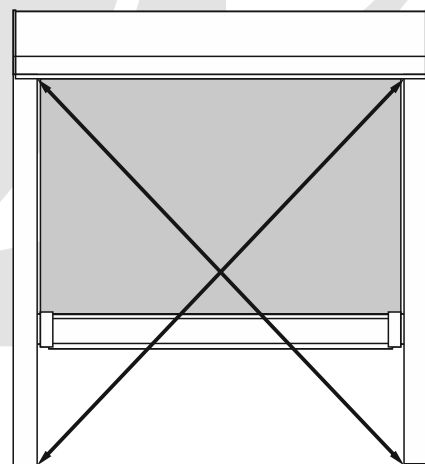
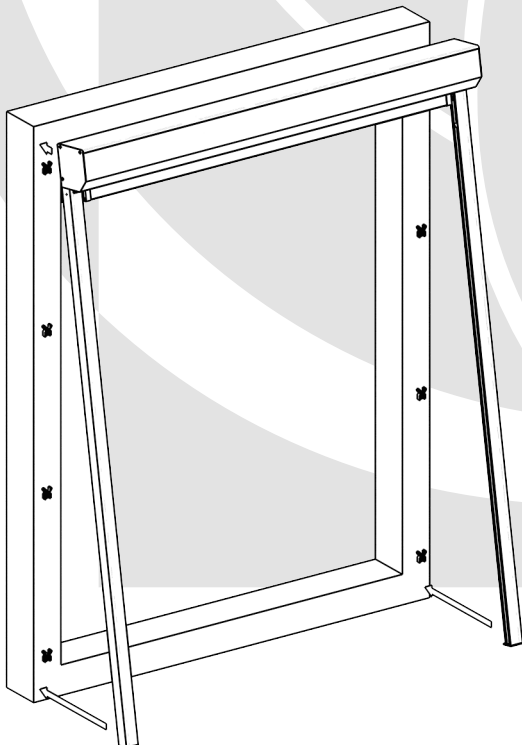
Installation of guides with PVC clips.

The clips should be screwed with the use of appropriately selected mounting accessories.



After mounting the mounting clips, slide the cover on them and "latch" it on them.

Warning! Make sure that the rails are screwed vertically parallel to each other; that the cassette is mounted horizontally and the diagonals between the guides are equal.

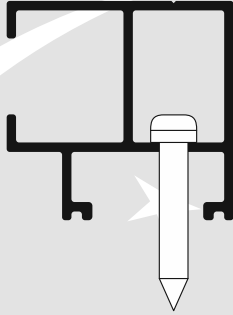


Mounting the SCREEN blind (remember to connect the power cable!).

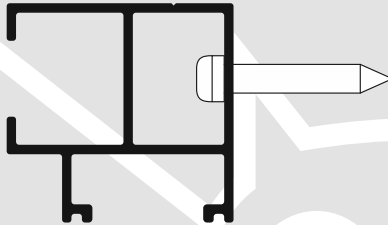
Installation of guides with using of the screws.

The guides should be screwed with the use of appropriately selected mounting accessories. They already have the mounting holes prepared in accordance with the selected mounting type (frontal / lateral mounting).

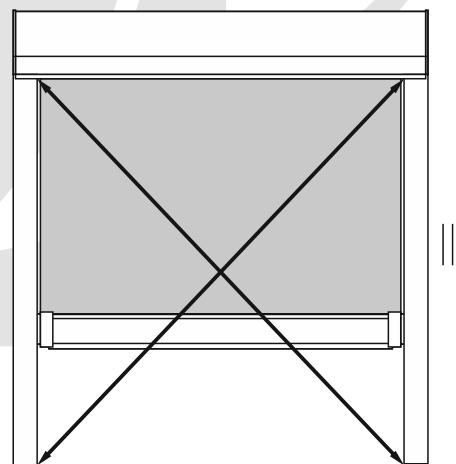
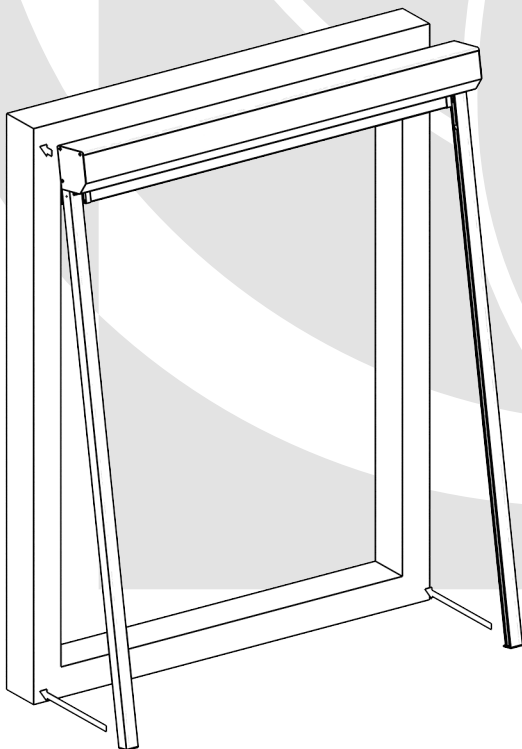
Frontal mounting.



Lateral mounting.



Warning! Make sure that the rails are screwed vertically parallel to each other; that the cassette is mounted horizontally and the diagonals between the guides are equal.





Fart Produkt Sp. z o. o. Sp. k.
ul. Towarowa 3, 87-100 Toruń
tel. +48 56 623 55 77
e-mail: export@fartprodukt.pl
www.fartprodukt.pl