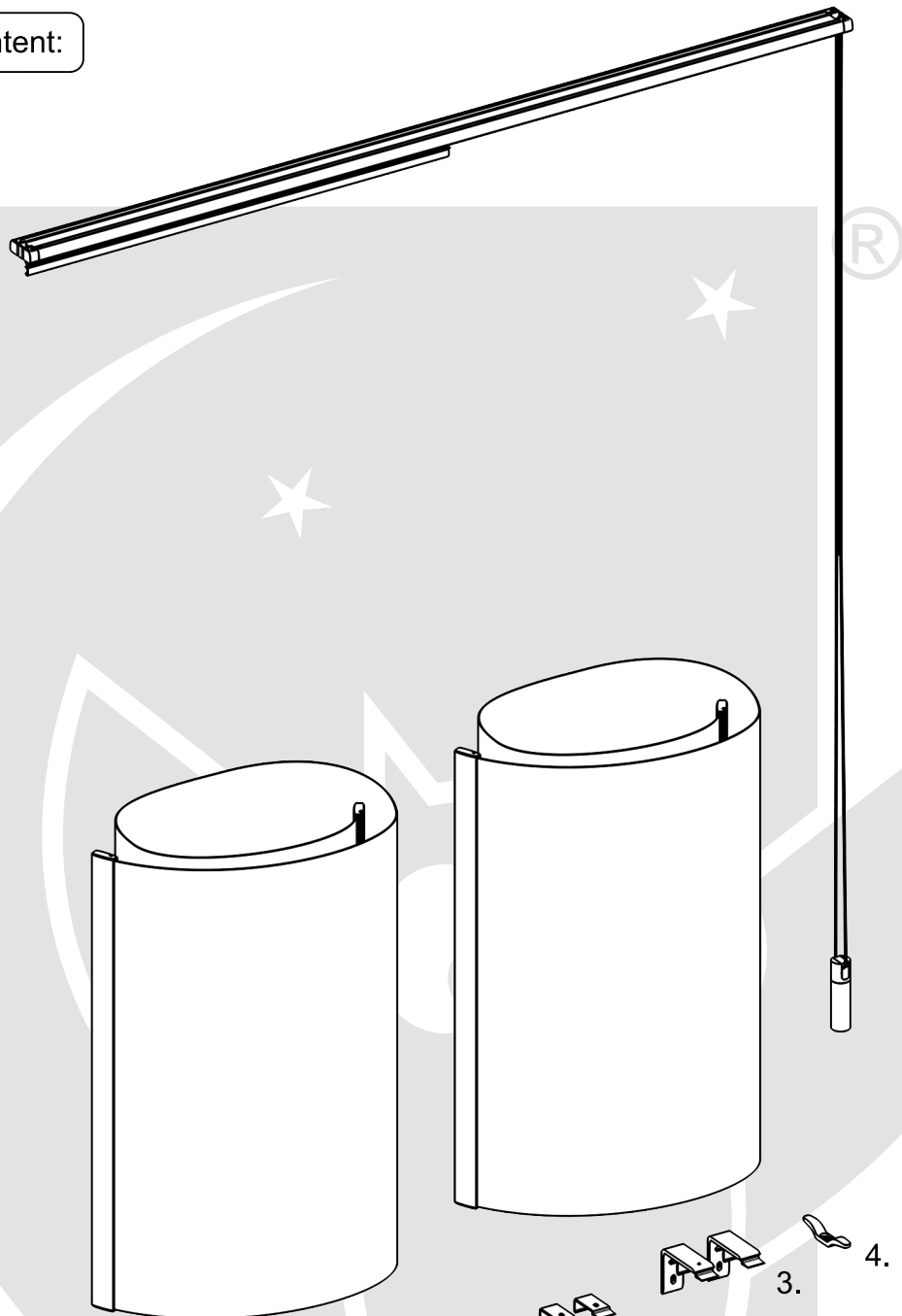




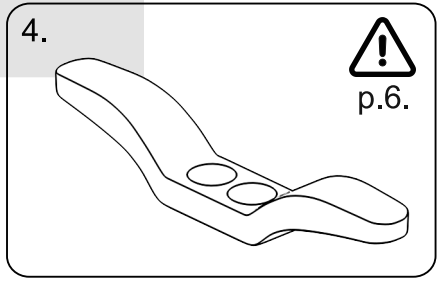
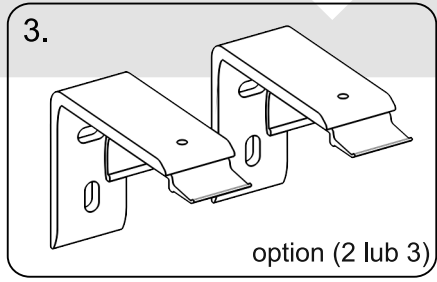
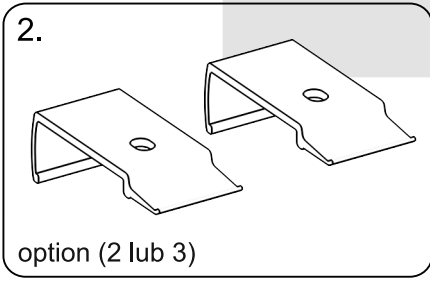
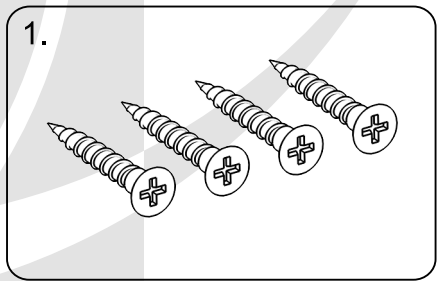
Installation instructions

“Panel track” curtains

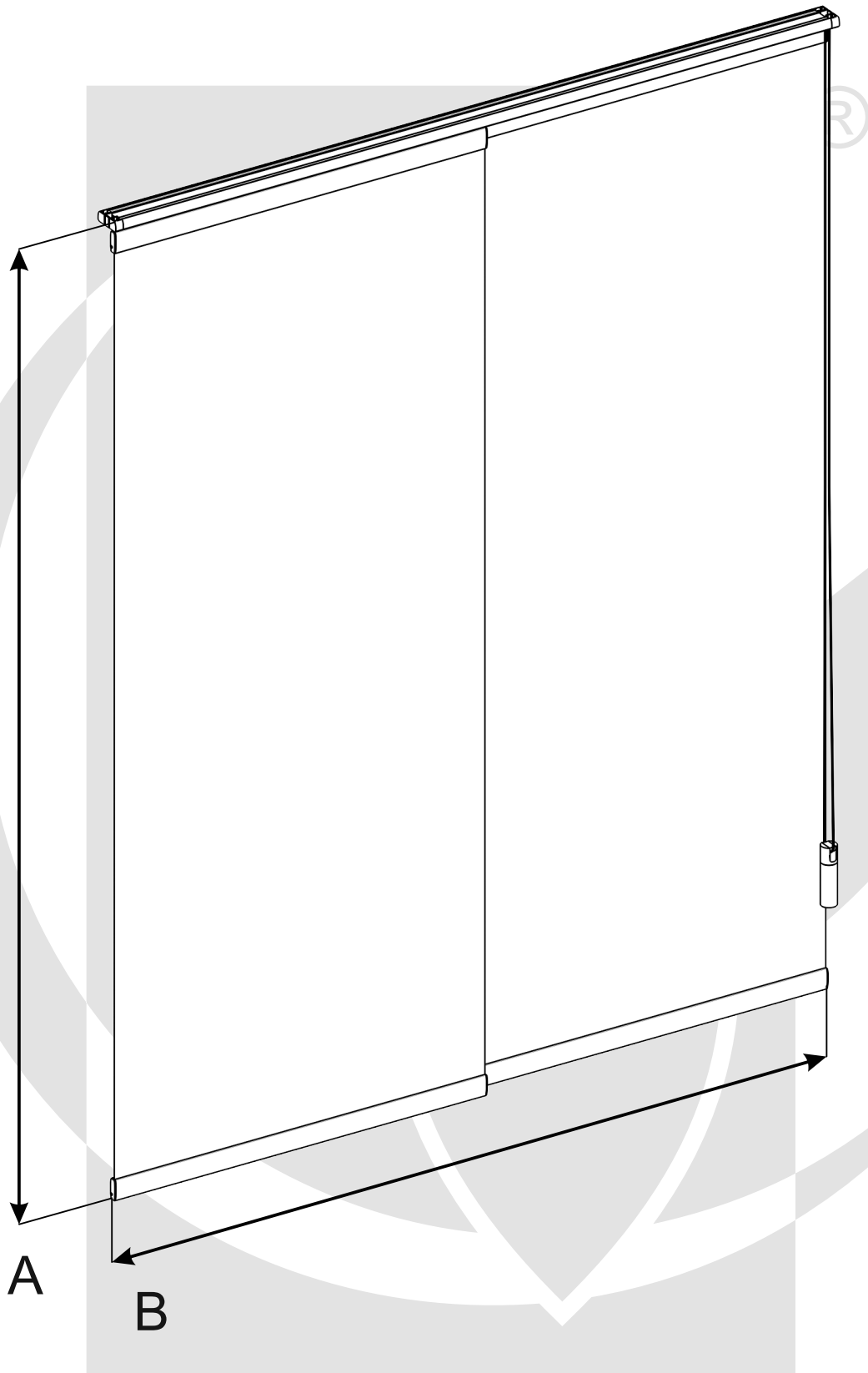
Packaging content:



- 1. Screws.
- 2. Ceiling mount brackets.
- 3. Wall mount brackets.
- 4. Cleat hook.
- 5. Panels.



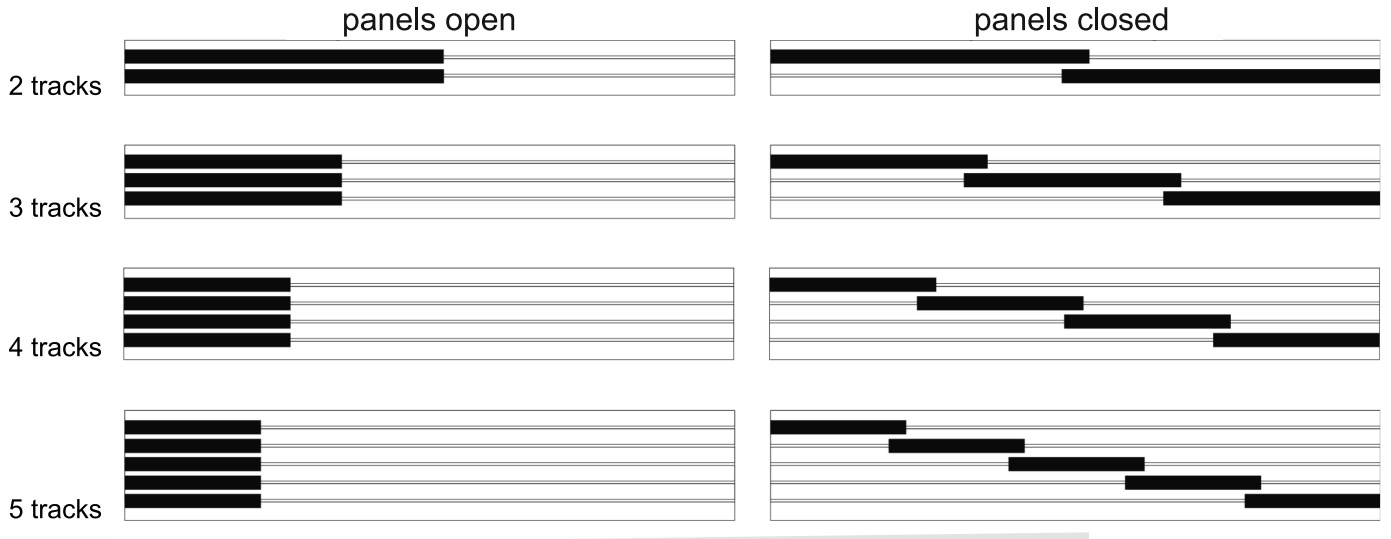
Measurement.



A - height
B - width

Panel track versions.

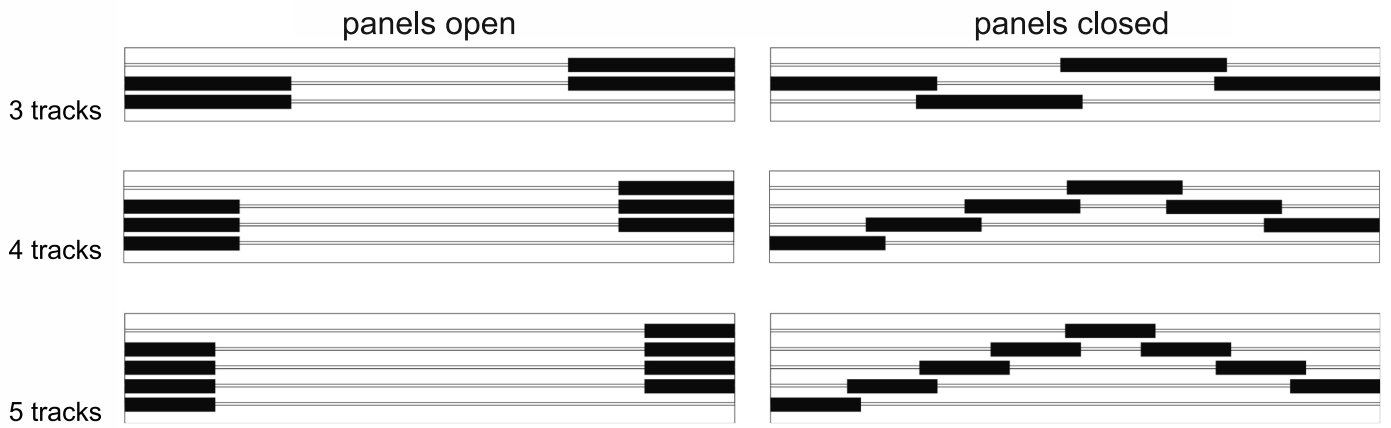
one-sided

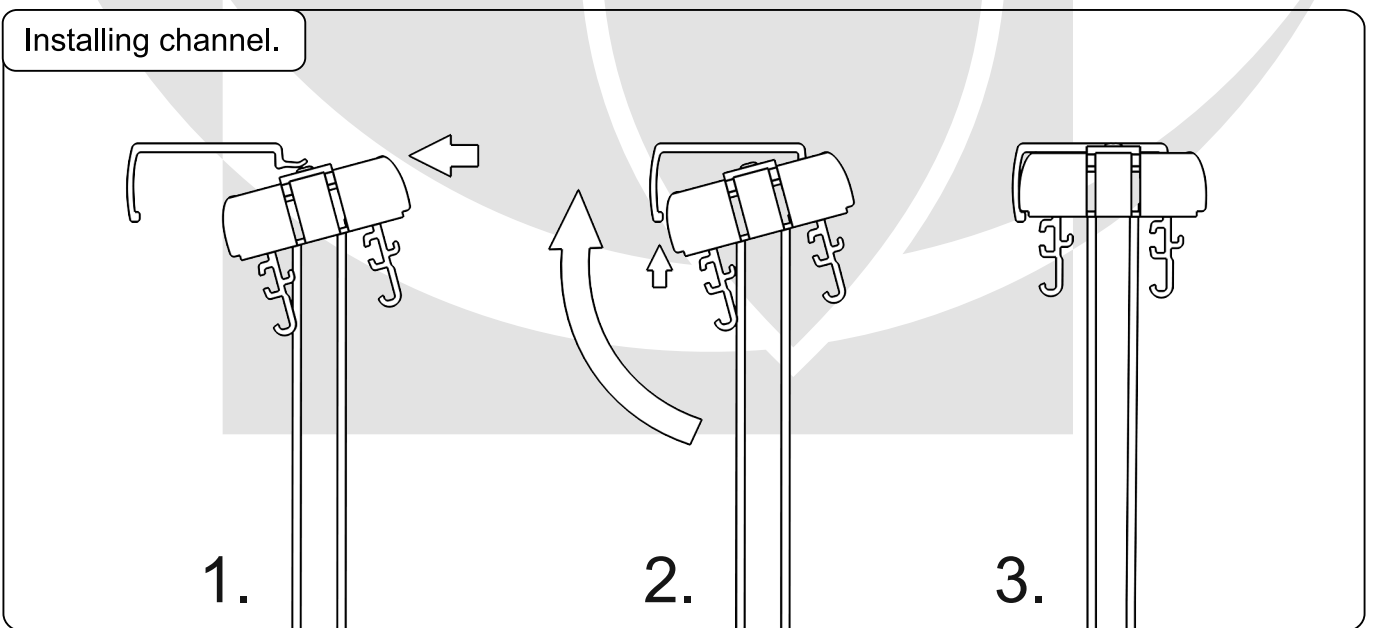
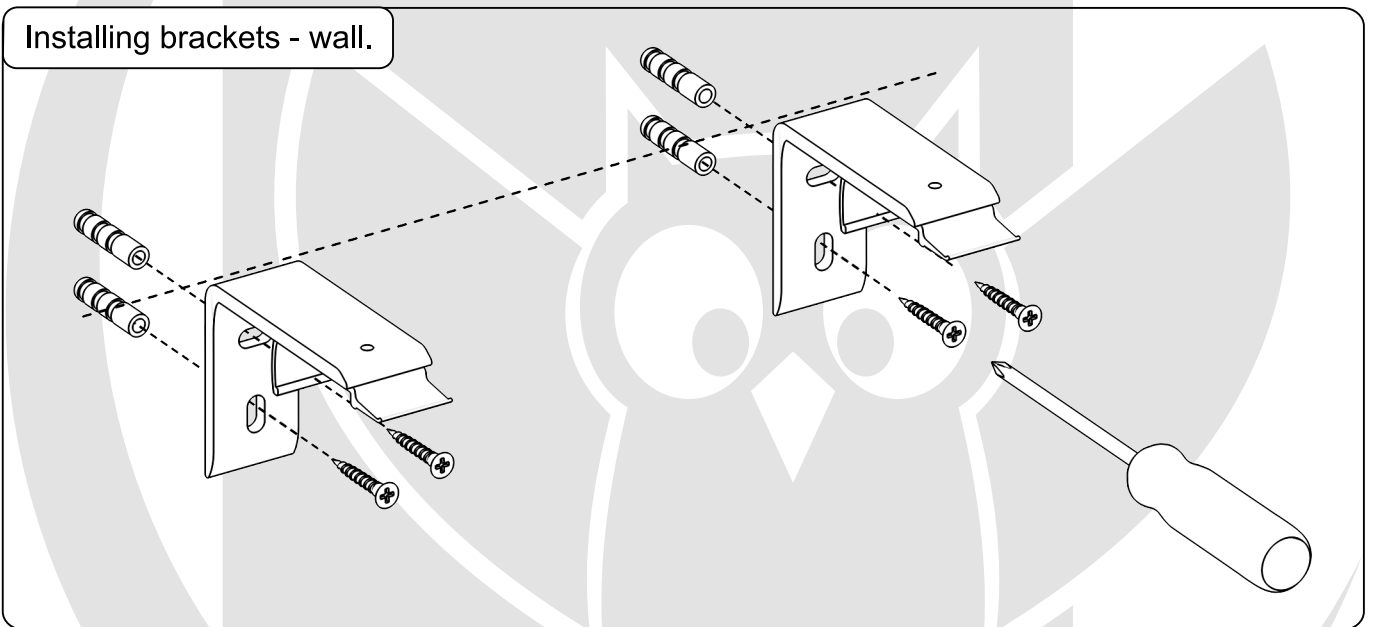
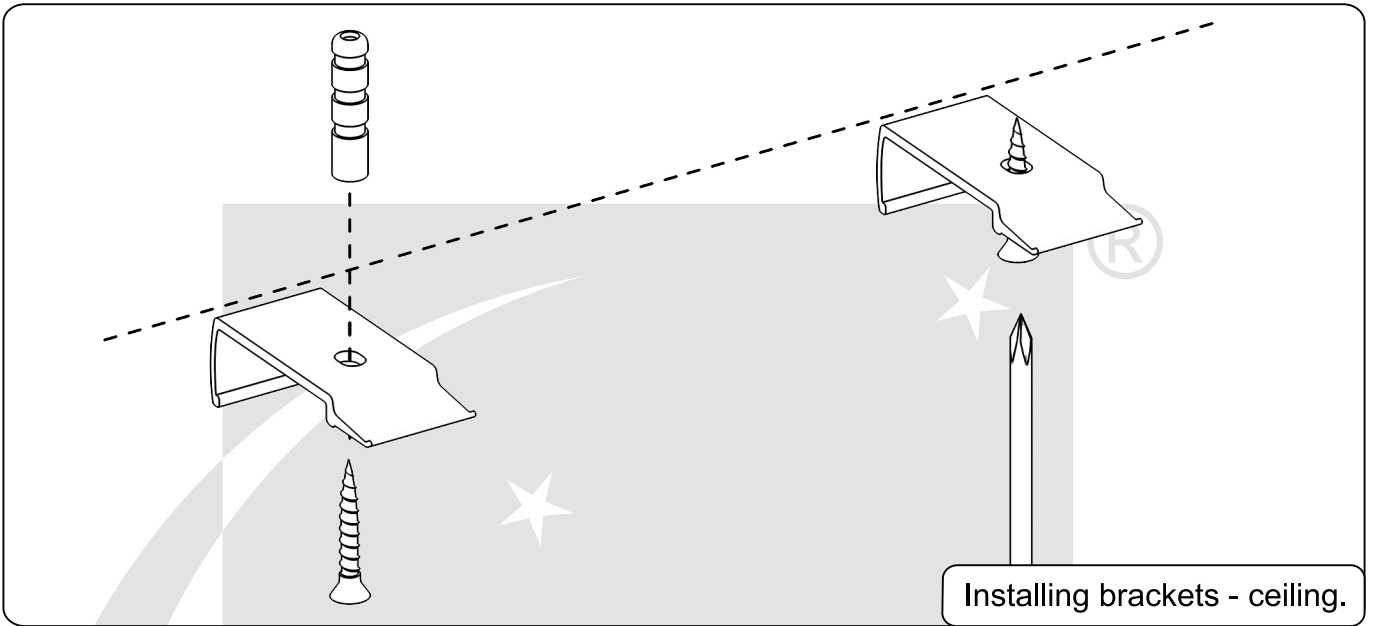


two-sided asymmetrical

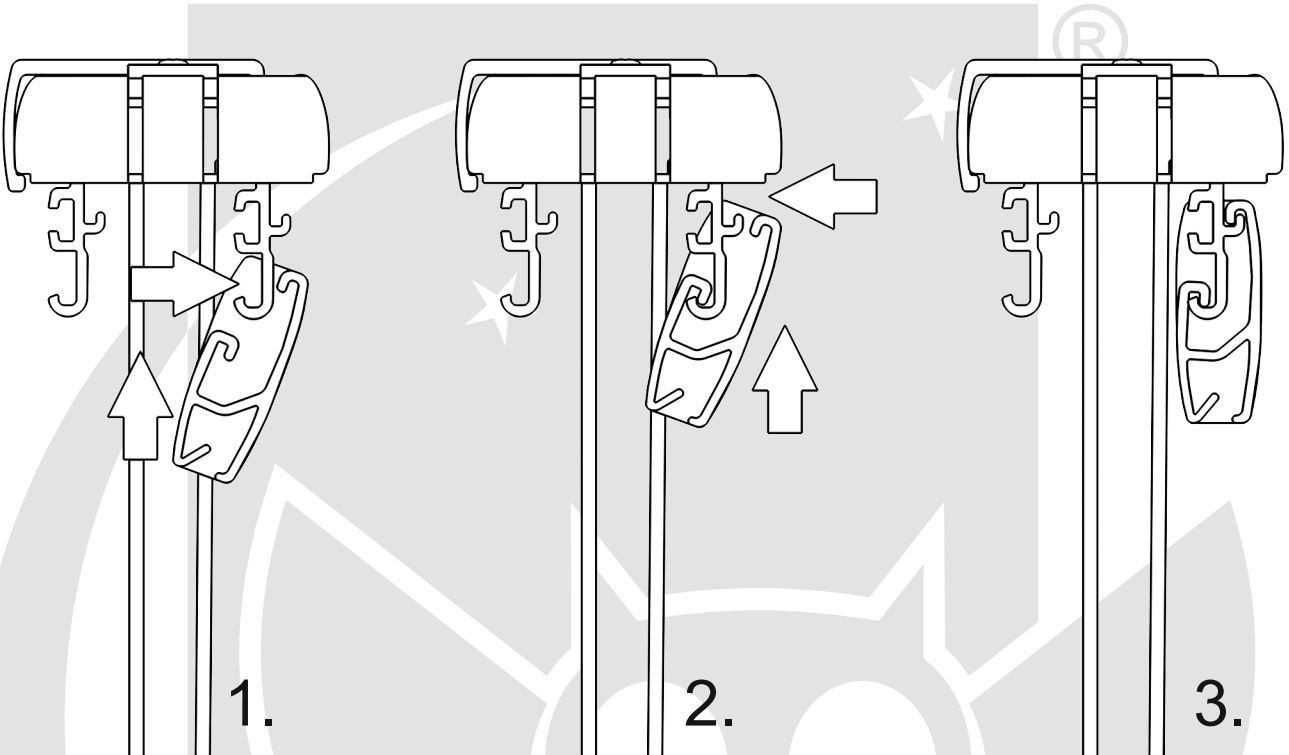


two-sided symmetrical

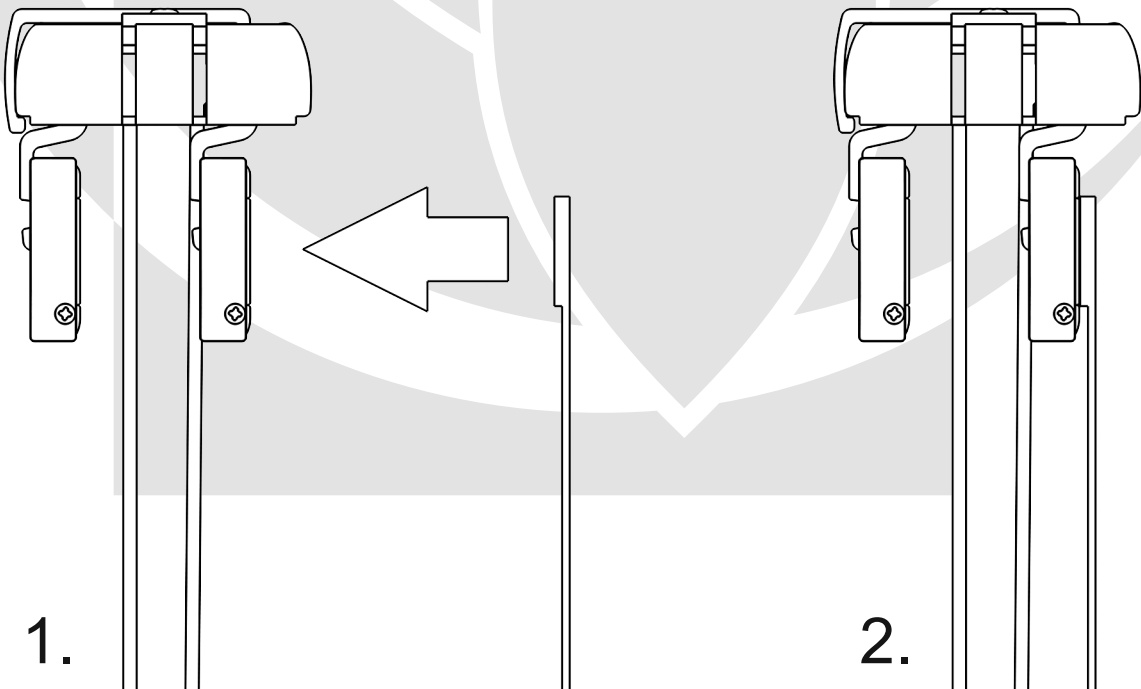




Installing panel with visible weights.

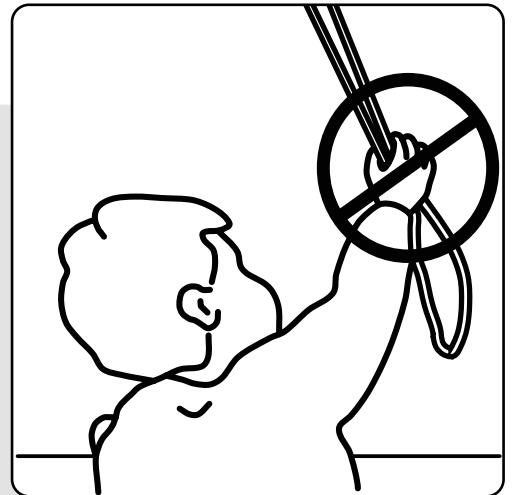


Installing panels with velcro.

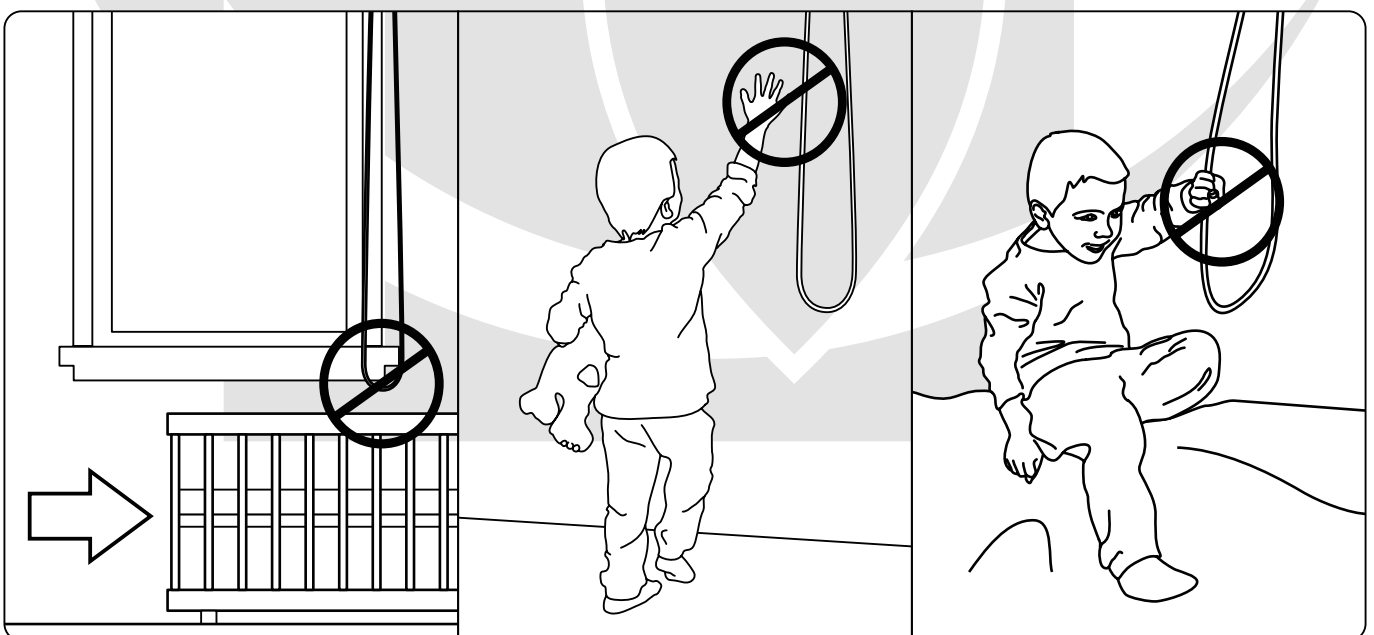
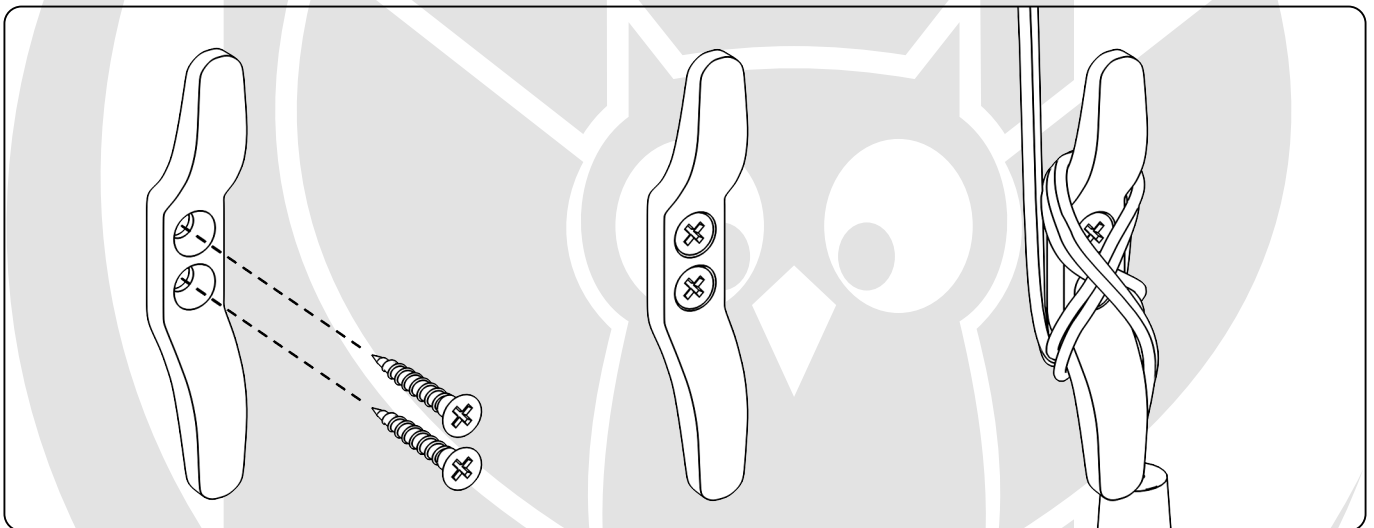


WARNING!

Small children can be strangled in the loops of cords, chains or belts used to operate "Panel track" curtains. Children can also wrap cords around their necks. Cords must be kept out of reach of children to avoid entanglement and strangulation. Move beds, cots and furniture away from window covering cords and chains.



To prevent accidental strangulation, all panel tracks are fitted with a cleat hook as per **EN 13120:2009+A1:2014**.





Fart Produkt Sp. z o. o. Sp. k.
ul. Towarowa 3, 87-100 Toruń
tel. +48 56 623 55 77
e-mail: export@fartprodukt.pl
www.fartprodukt.pl