

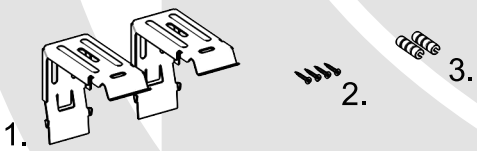
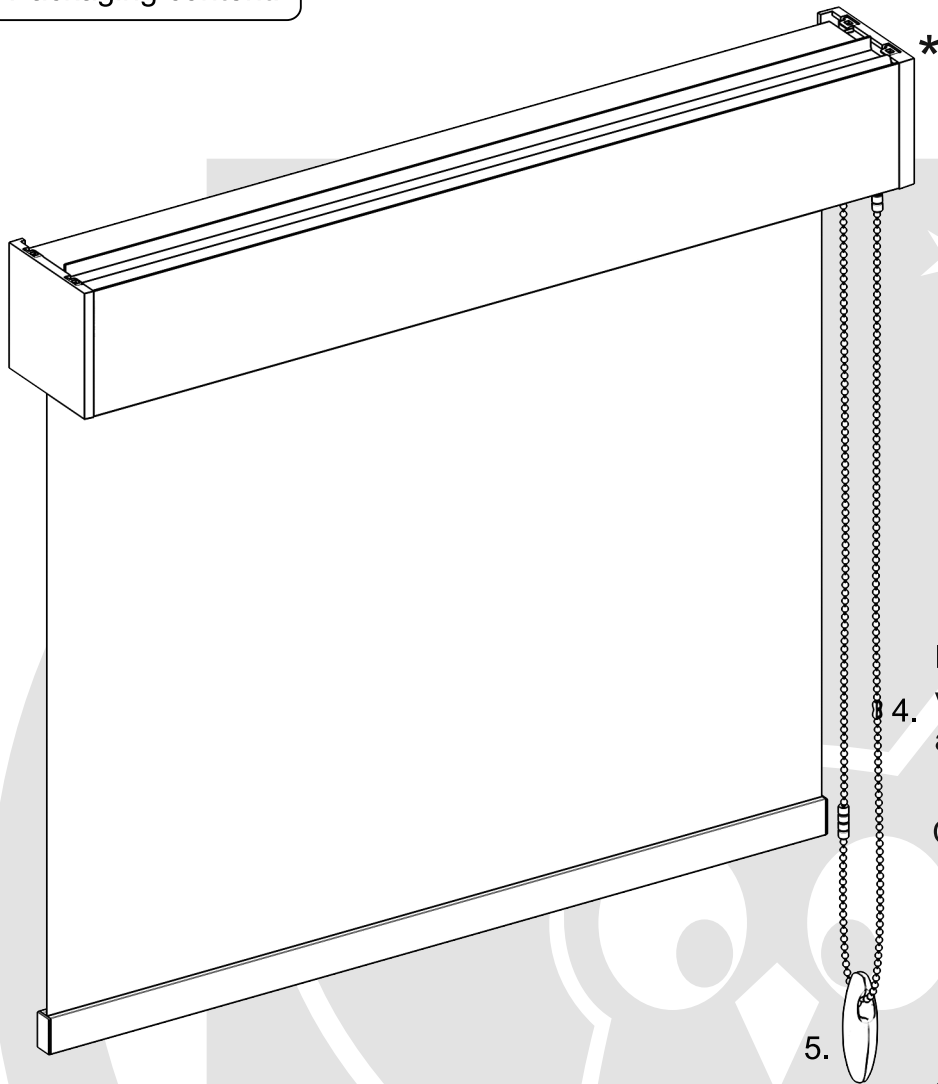


# Installation instructions

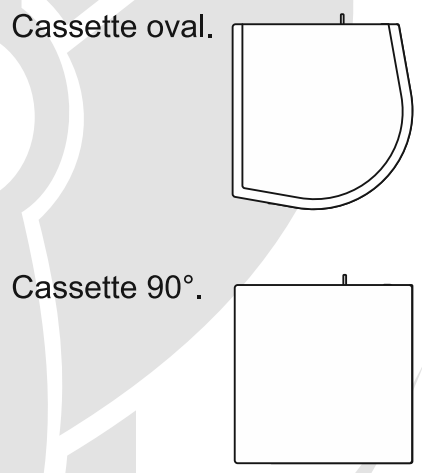
---

Maxi Premium fabric roller blind

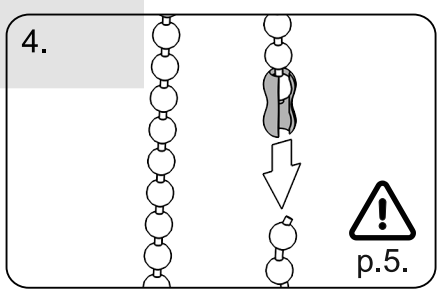
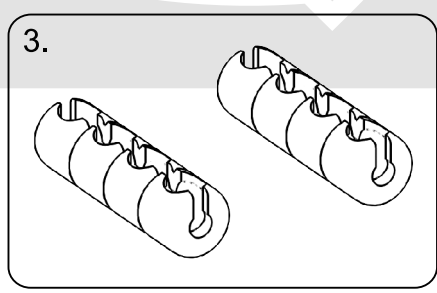
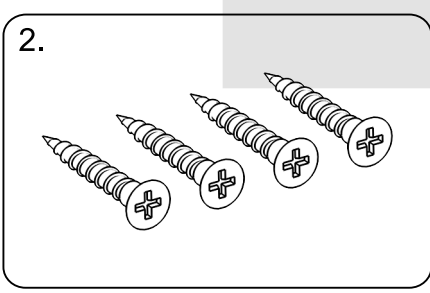
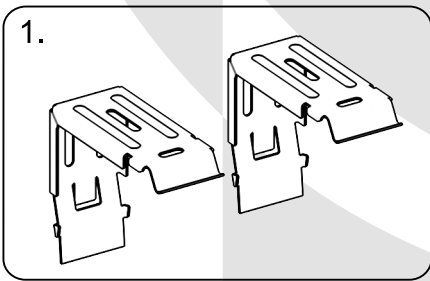
Packaging content:



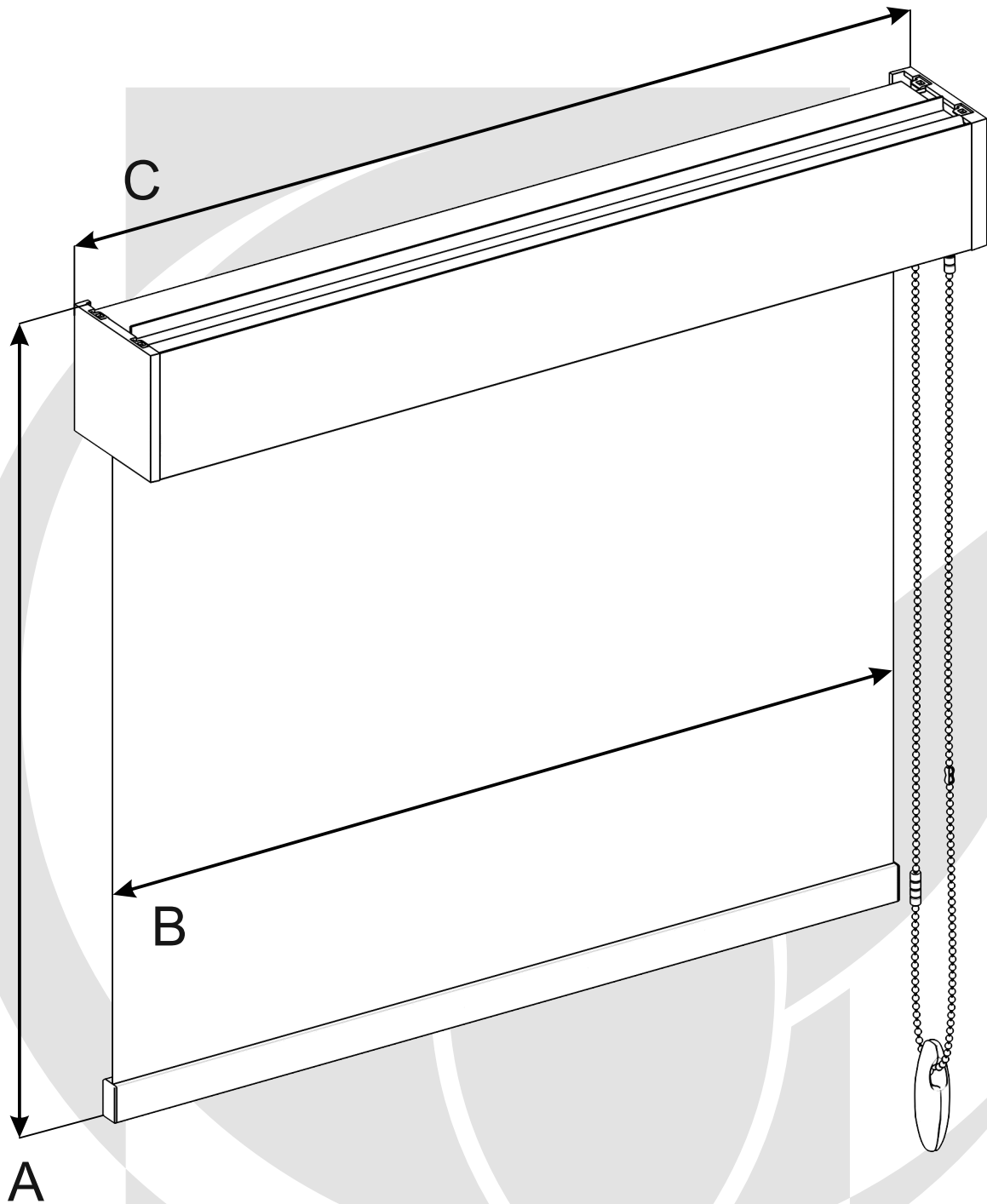
Depending on chosen variant 2 cassette types are available: \*



- 1. Mounting brackets.
- 2. Screws.
- 3. Chain connectors.
- 4. Chain-break connector.
- 5. Chain weight.

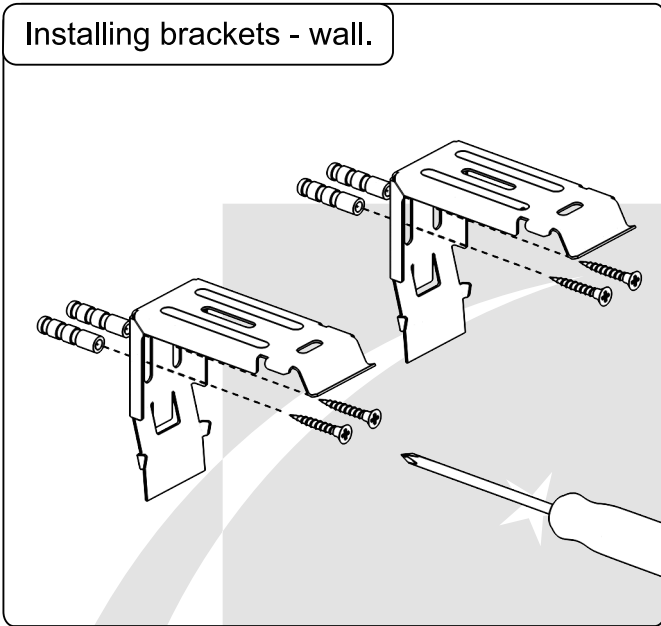


Measurement.

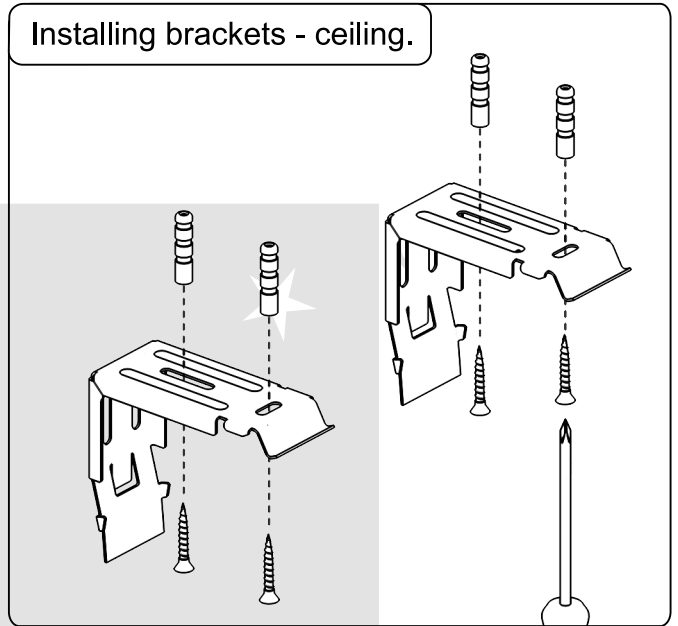


- A - roller blind height.
- B - fabric width specified when ordering.
- C - overall roller blind width exceeds fabric width by 47 mm.

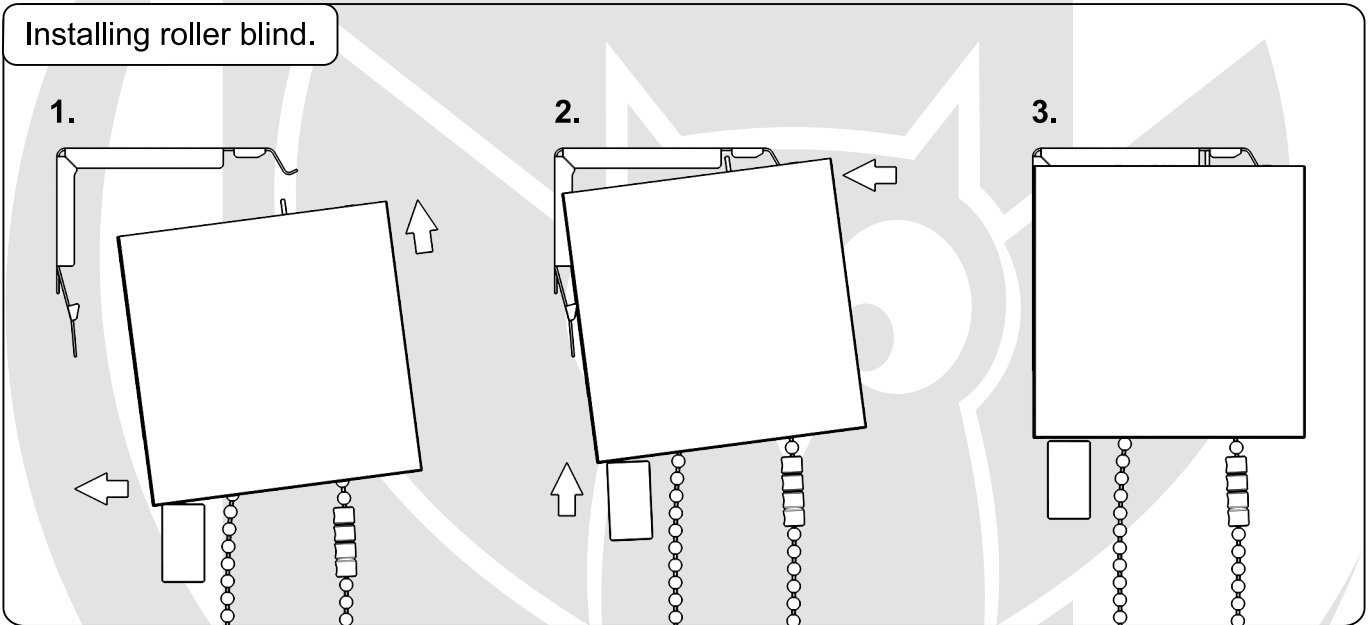
Installing brackets - wall.



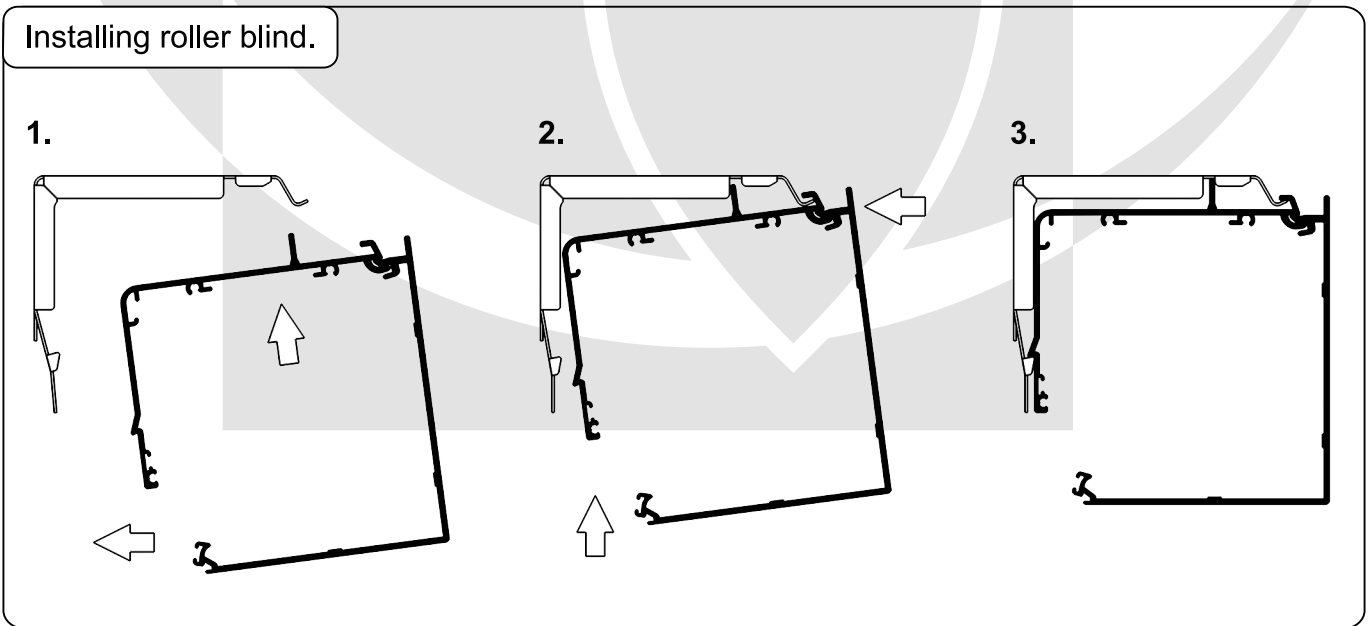
Installing brackets - ceiling.



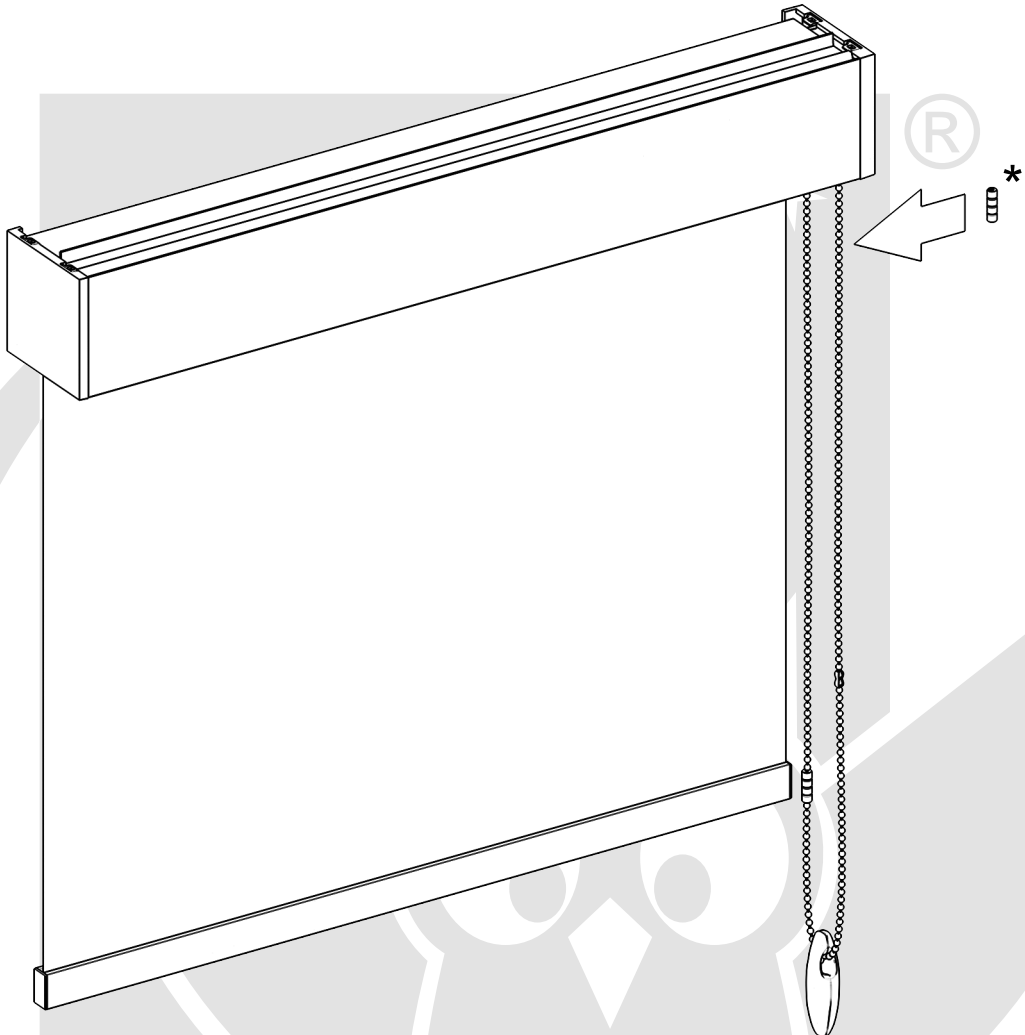
Installing roller blind.



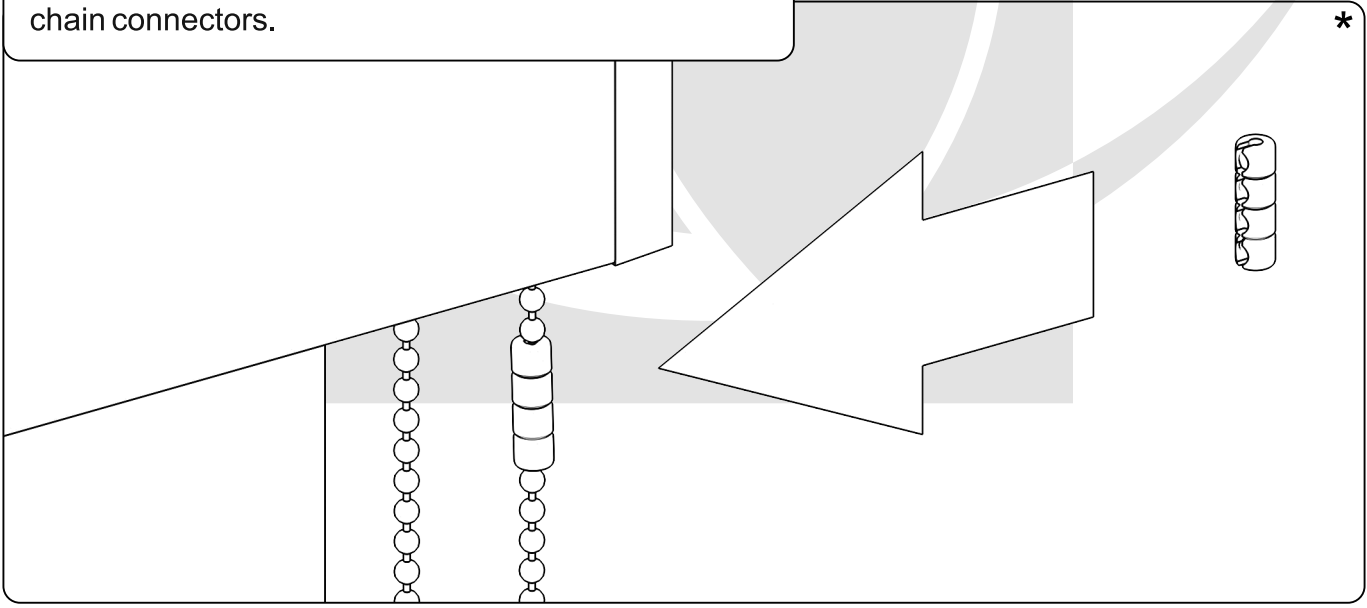
Installing roller blind.



Installing chain connectors.

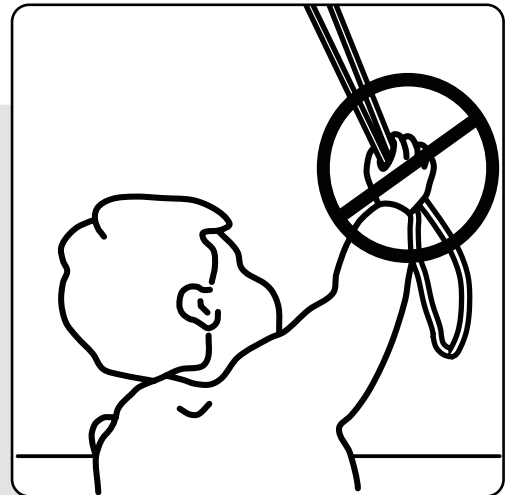


Set maximum top and bottom fabric position with the chain connectors.

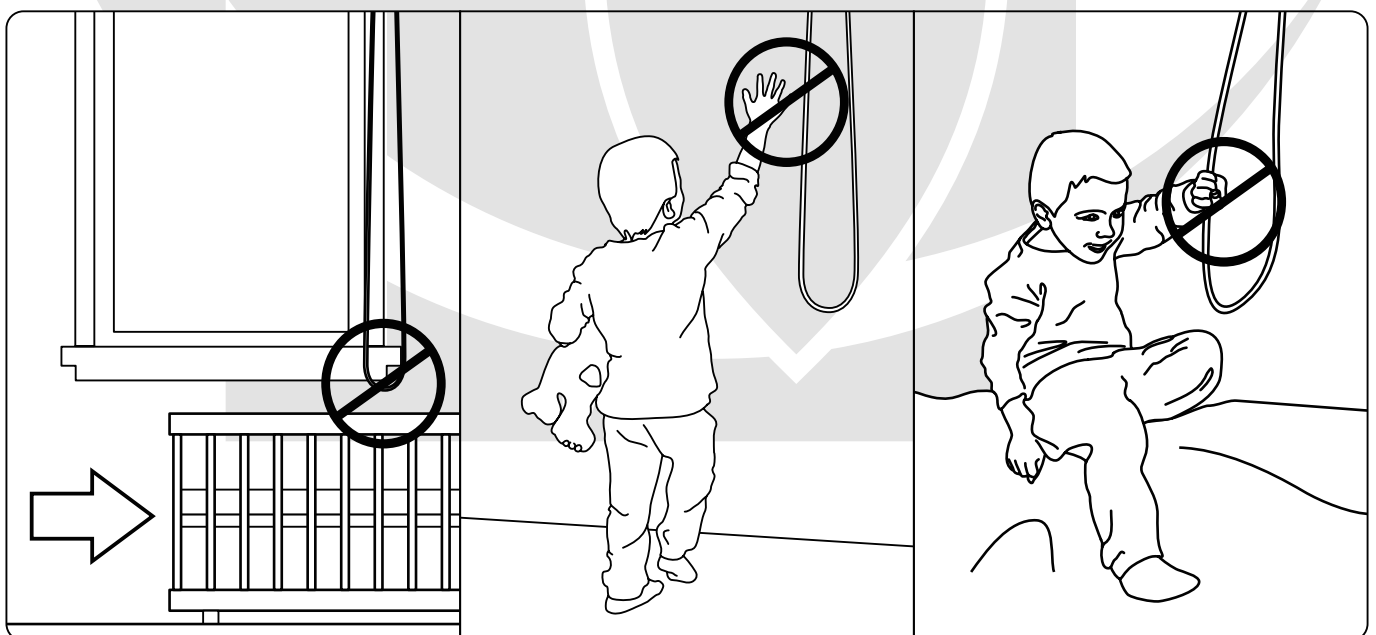
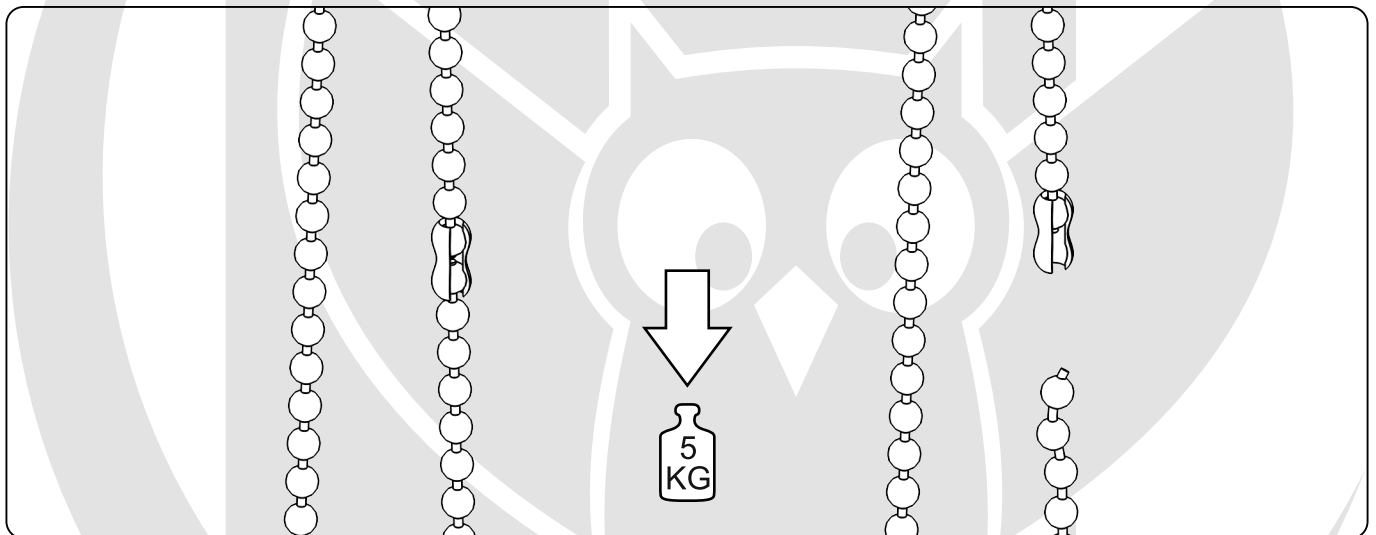


# WARNING!

Small children can be strangled in the loops of cords, chains or belts used to operate roller blinds. Children can also wrap cords around their necks. Cords must be kept out of reach of children to avoid entanglement and strangulation. Move beds, cots and furniture away from window covering cords and chains.



To prevent accidental strangulation, all roller blinds are fitted with a chain-break connector as per **EN 13120:2009+A1:2014**.





Fart Produkt Sp. z o. o. Sp. k.  
ul. Towarowa 3, 87-100 Toruń  
tel. +48 56 623 55 77  
e-mail: [export@fartprodukt.pl](mailto:export@fartprodukt.pl)  
[www.fartprodukt.pl](http://www.fartprodukt.pl)