

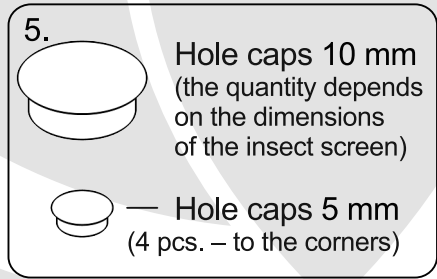
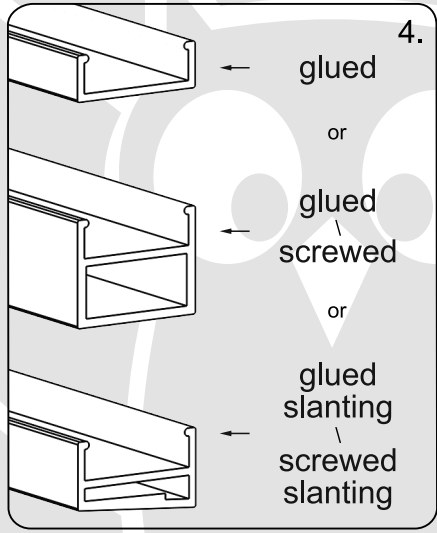
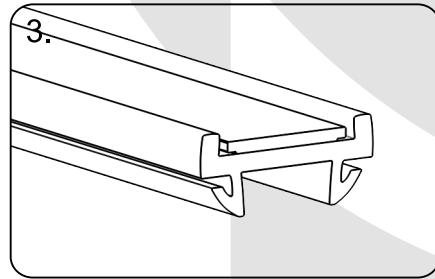
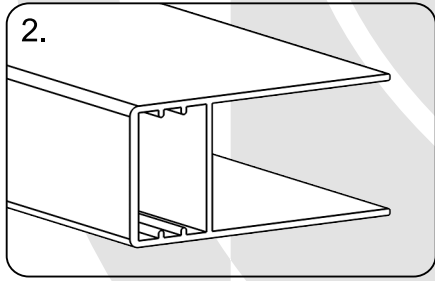
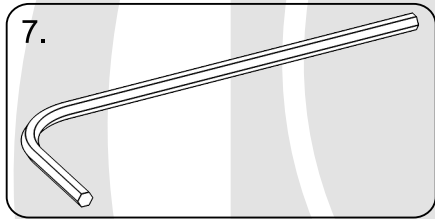
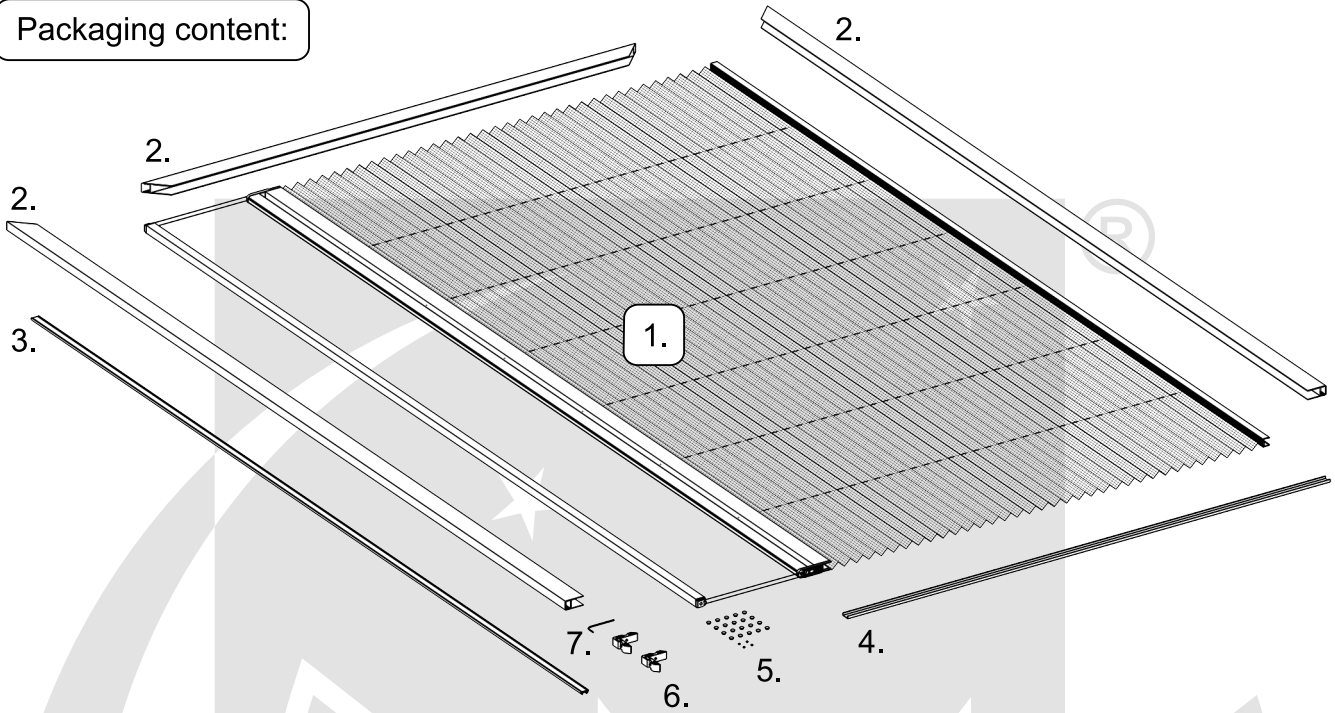


# Installation instructions

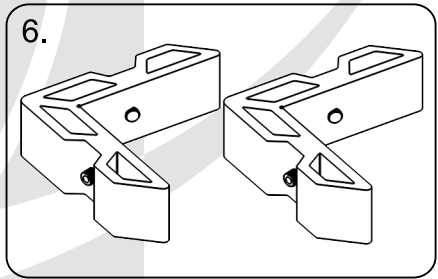
---

Insect screen – single pleated version

**Packaging content:**



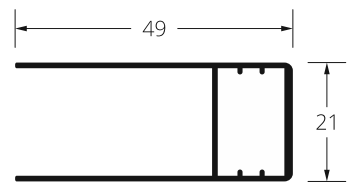
- 1. Package MPH.
- 2. Guide channels – insect screen frame
- 3. Covering profile – with magnetic tape.
- 4. Bottom guide channel – 3 variants (optional).
- 5. Hole caps.
- 6. Corners – guide channels connectors.
- 7. Allen key 2,5 mm.



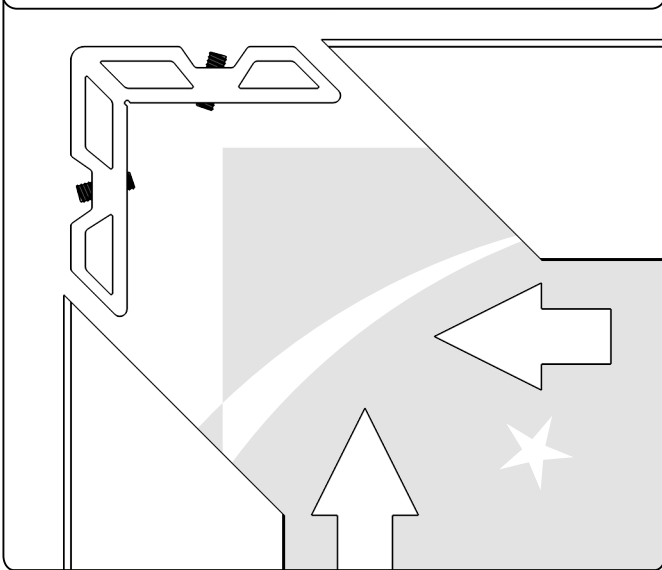
Measurement – please specify total width and height of the insect screen when ordering.

Total dimensions- dimensions of insect screen frame (guide channels).

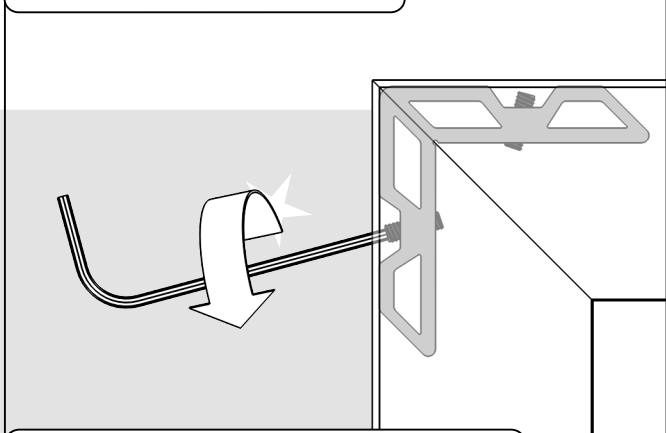
Dimensions of guide channels:





Assembling of guide channels and corners.



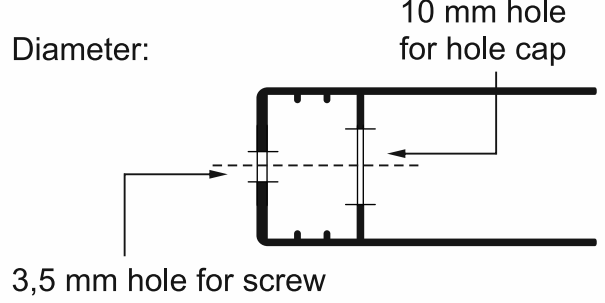
After assembling fasten the screws in the corners.



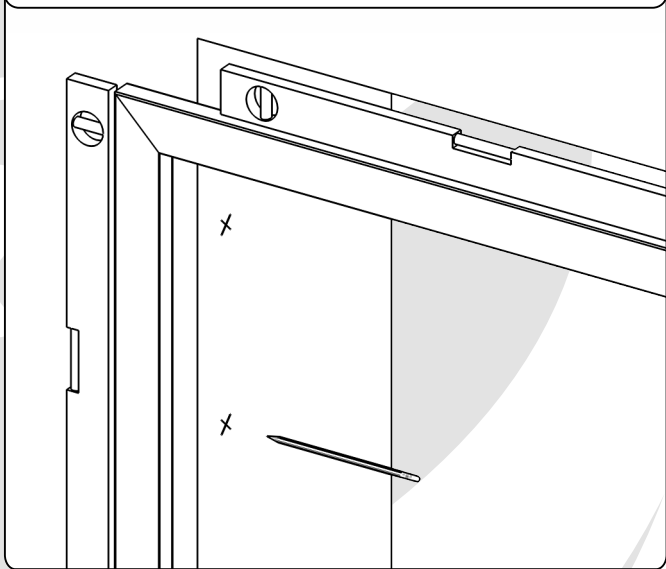
When fastened – place the hole caps (5 mm). 

Mounting in recess. 

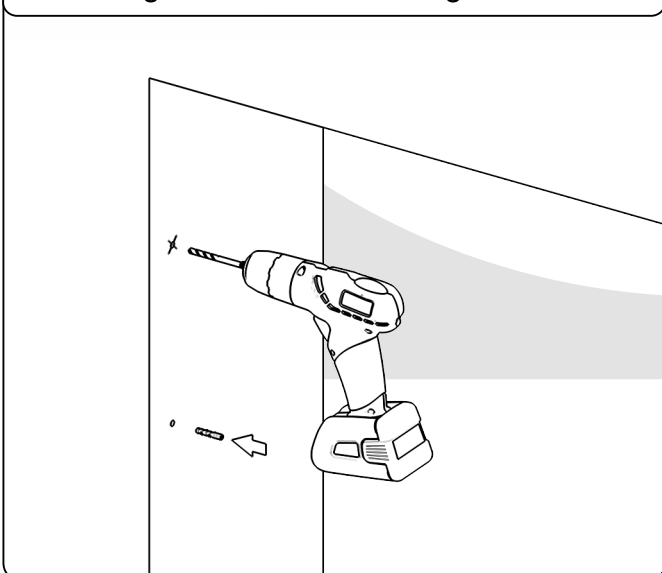
Before mounting of the frame, drill the holes in guide channels. When the screen is mounted in recess – the holes must be drilled on the side of guide channel (pic.).



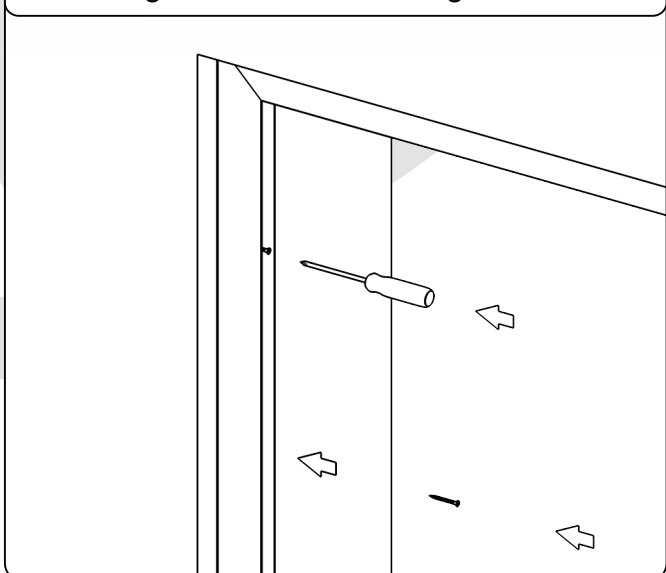
Mounting in recess – fastening the frame 1.



Mounting in recess – fastening the frame 2.



Mounting in recess – fastening the frame 3.

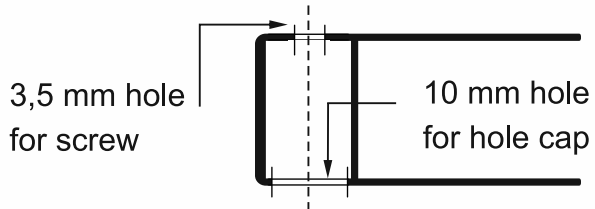


Surface mounting.

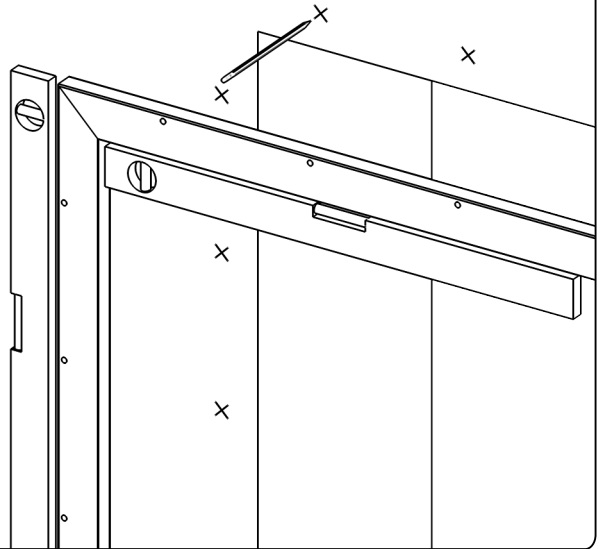


Before mounting of the frame, drill the holes in guide channels. When the screen is surface mounted- holes must be drilled on the front of guide channel (pic.).

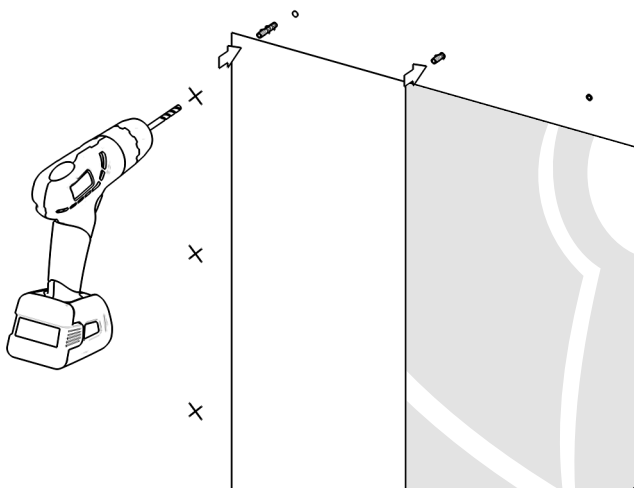
Diameter:



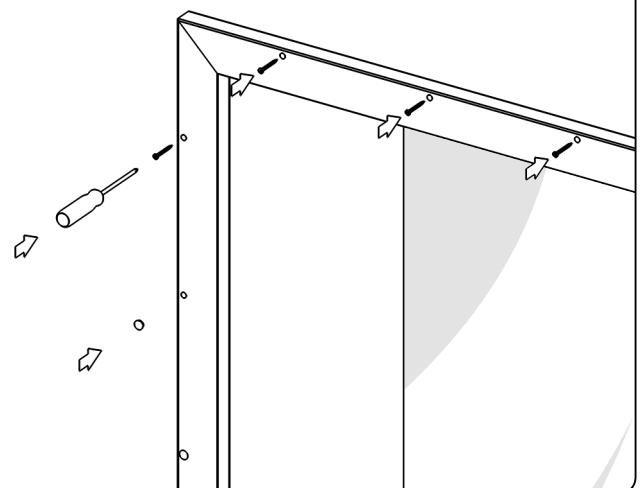
Surface mounting – fastening the frame 1.



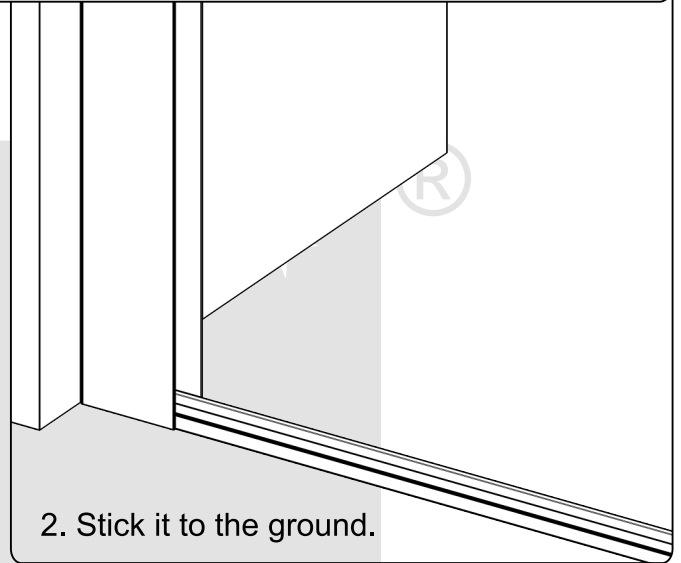
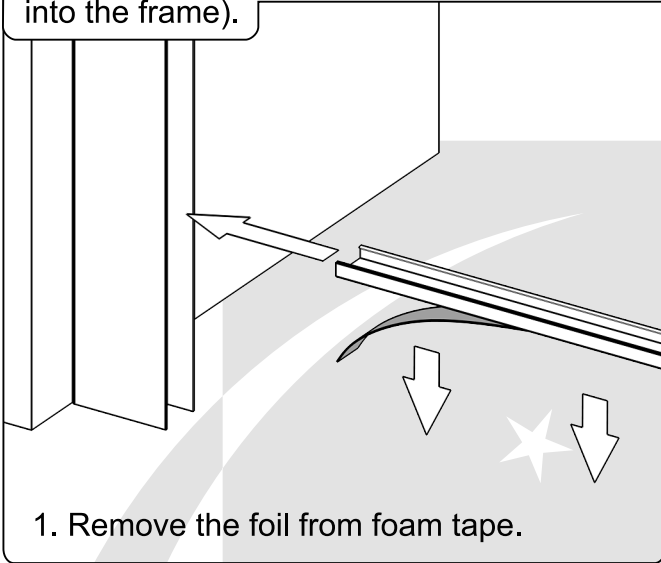
Surface mounting – fastening the frame 2.



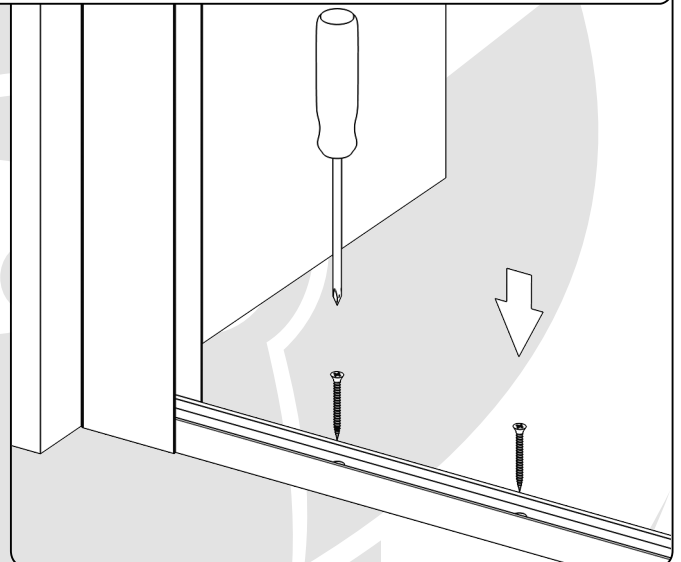
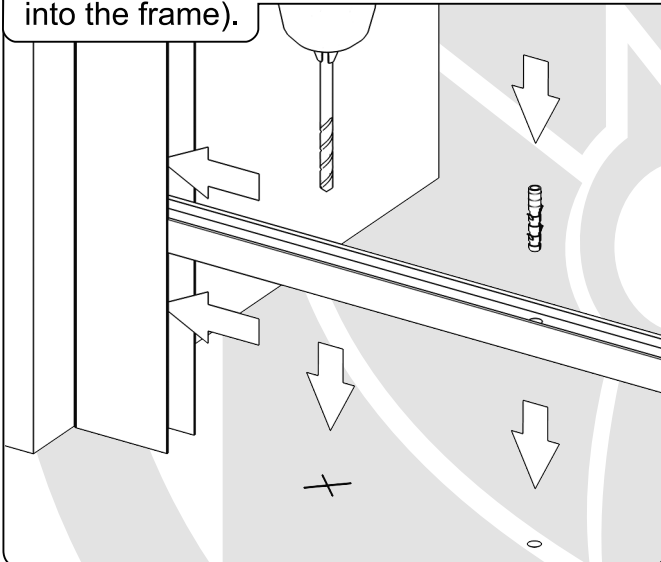
Surface mounting – fastening the frame 3.



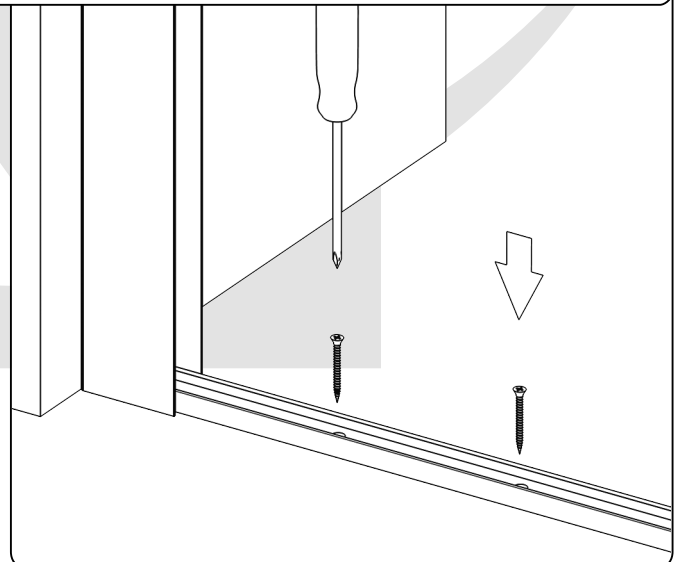
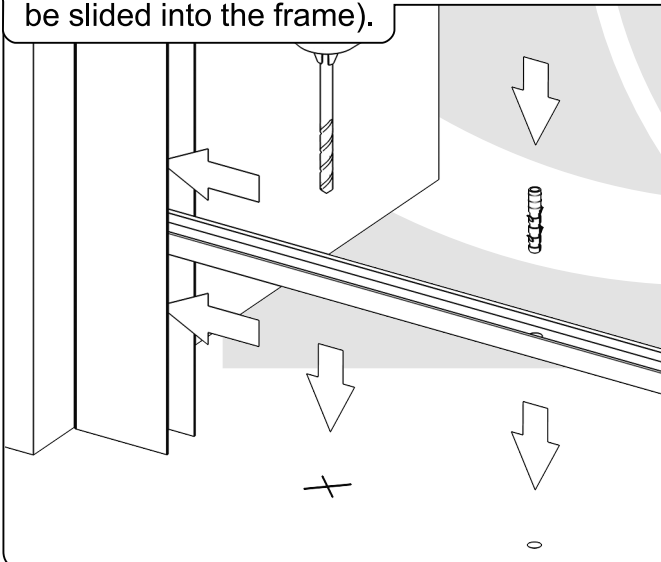
Installation of the glued bottom profile (during the assembly of the profile it should be slid into the frame).



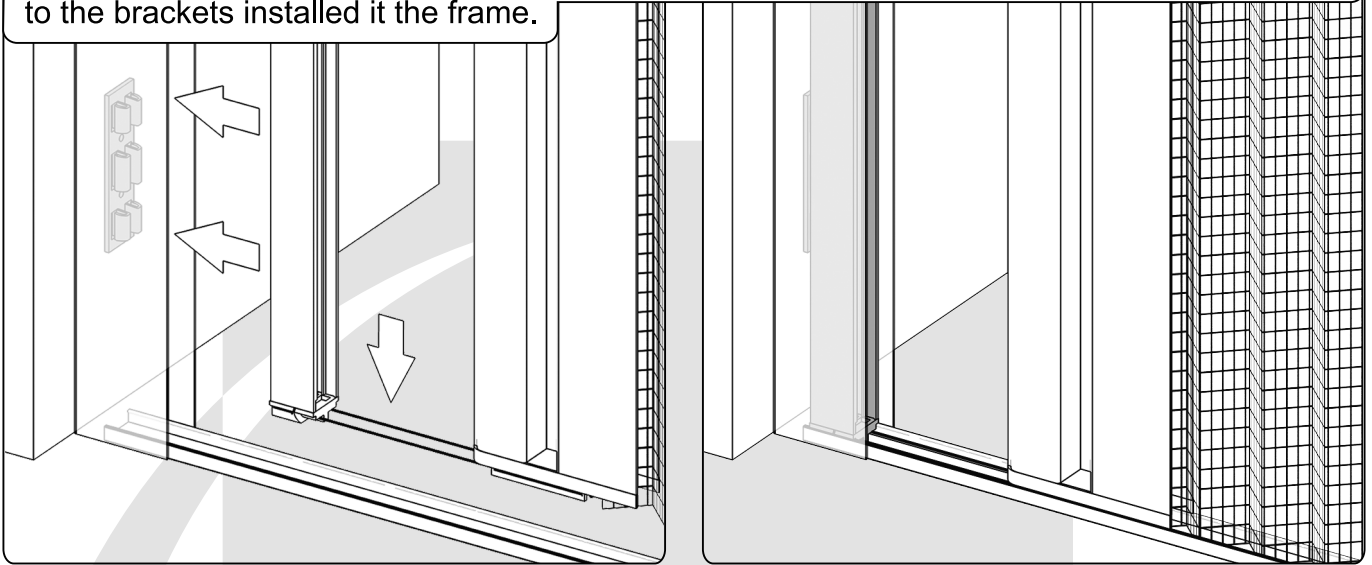
Installation of the screwed bottom profile (during the assembly of the profile it should be slid into the frame).



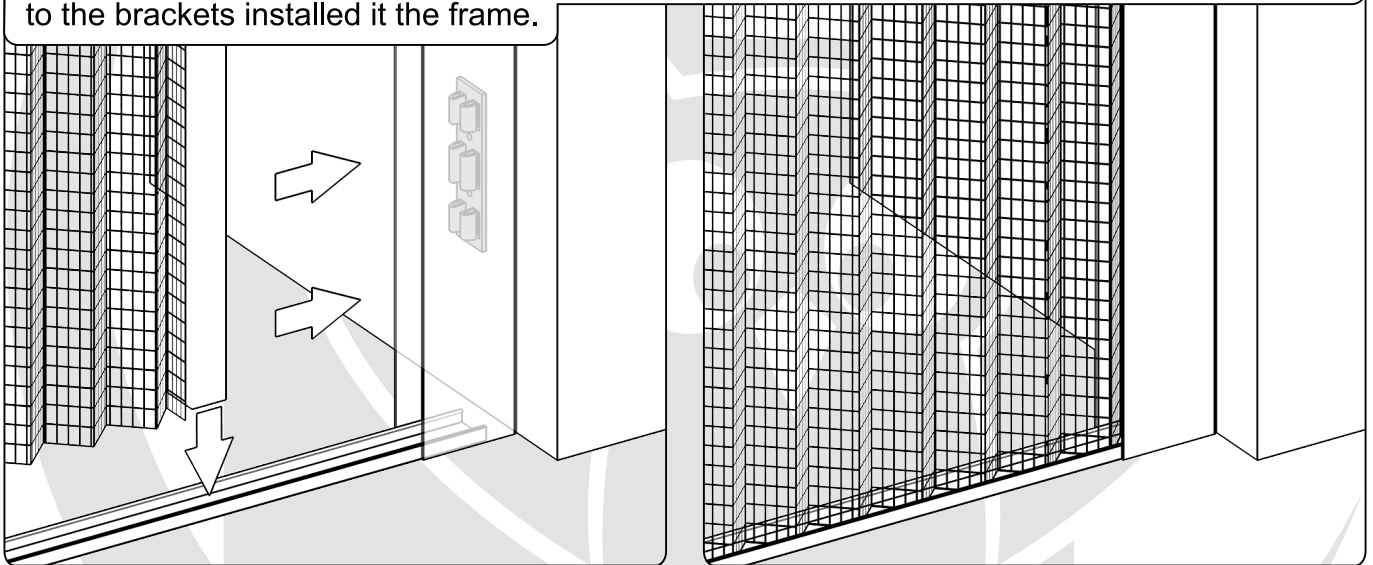
Installation of the slanting screwed bottom profile (during the assembly of the profile it should be slid into the frame).



Installation of tensioning profile – after placing in the bottom guide channel, slide it and click it to the brackets installed in the frame.



Installation of MPH package – after placing in the bottom guide channel, slide it and click it to the brackets installed in the frame.



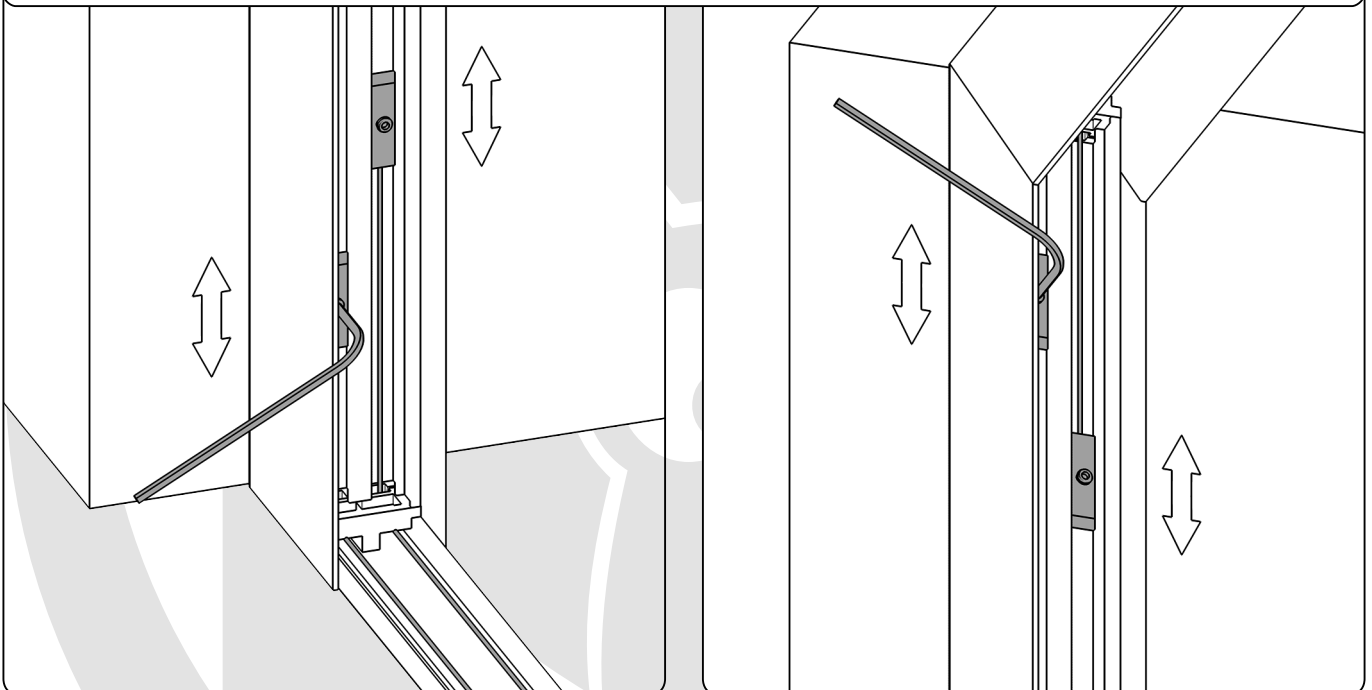
### Adjustment of the strings.

After installation of tensioning profile and MPH package you should adjust the tension of the strings by moving the pcv string endings up or down. When it's completed, fasten the screw with hex key.

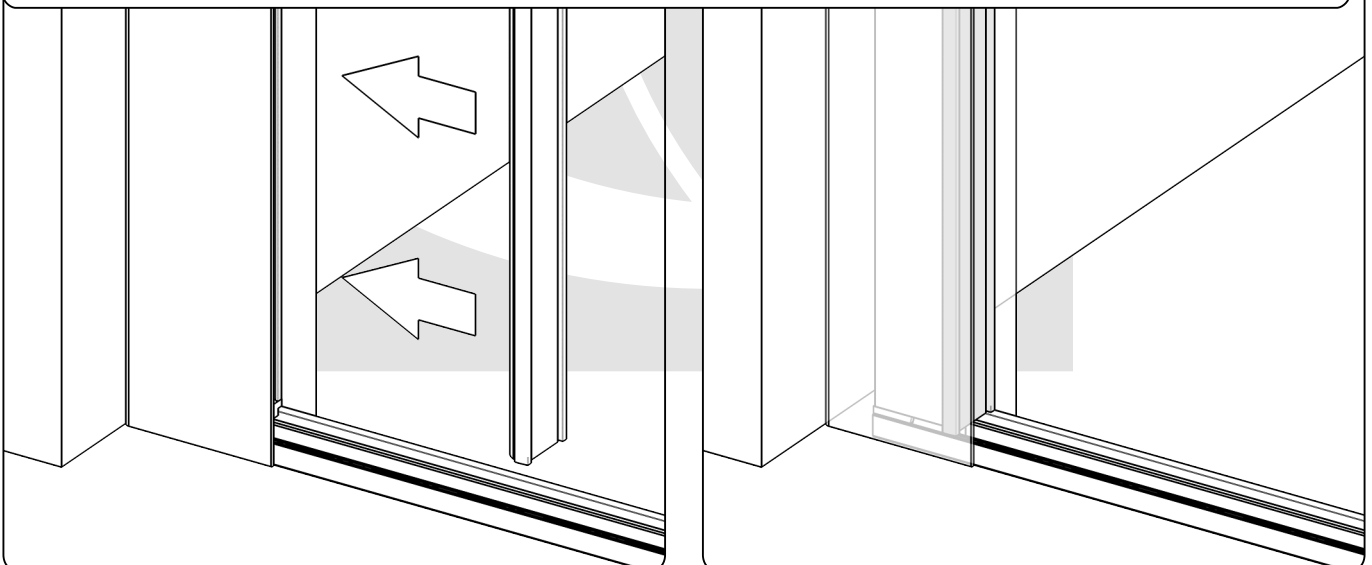
The strings mustn't be tensed too much because it may cause the damage of the insect screen. The whole process of tensioning the strings should be done in a gentle way.

If necessary, you may cut the strings and tie them again.

After preliminary adjustment of the strings, you should check if the tension is correct by opening and closing the insect screen. If necessary adjust the tension again.



### Installation of covering profile – after adjustment of the strings place it on the tensioning profile.





Fart Produkt Sp. z o. o. Sp. k.  
ul. Towarowa 3, 87-100 Toruń  
tel. +48 56 623 55 77  
e-mail: [export@fartprodukt.pl](mailto:export@fartprodukt.pl)  
[www.fartprodukt.pl](http://www.fartprodukt.pl)