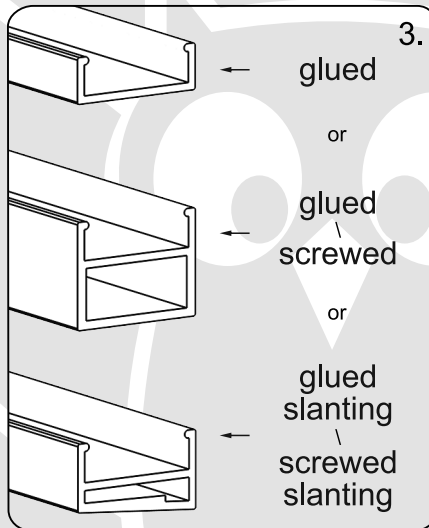
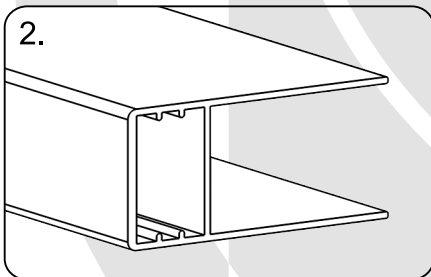
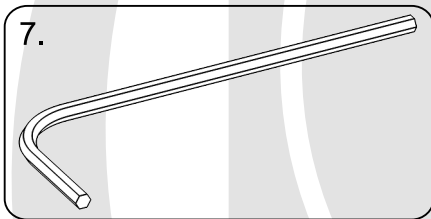
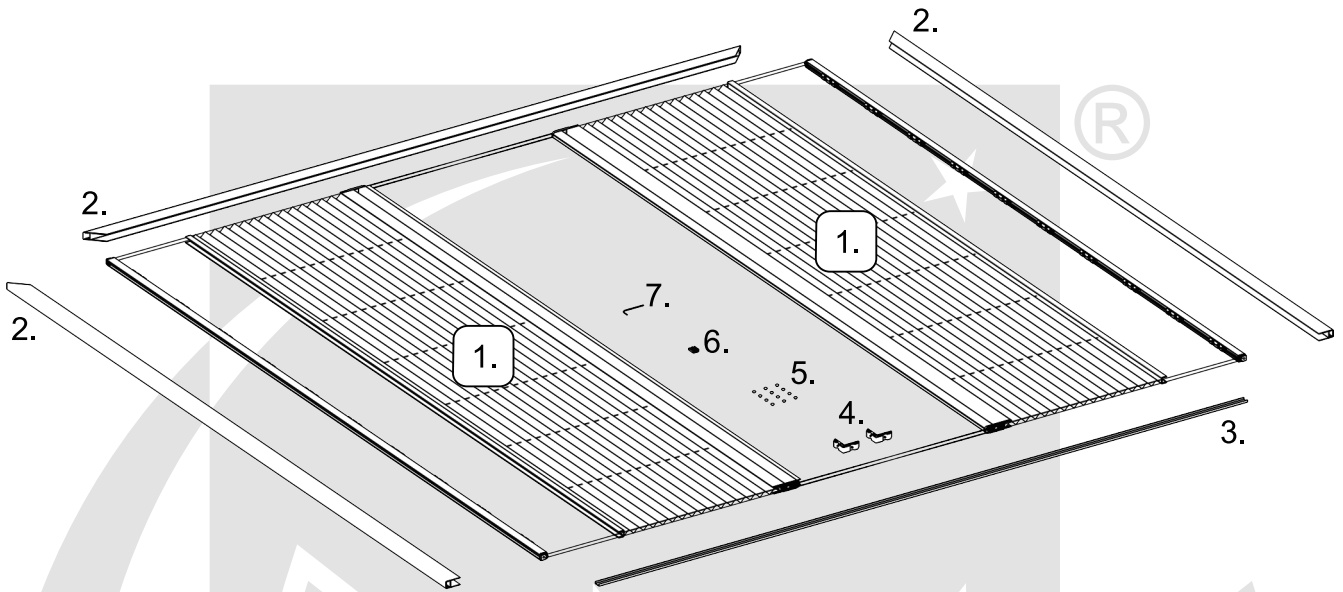




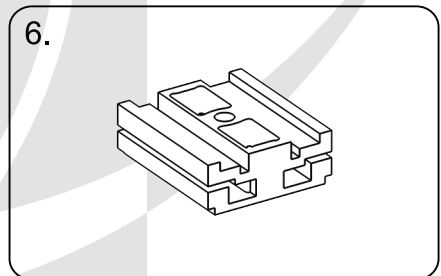
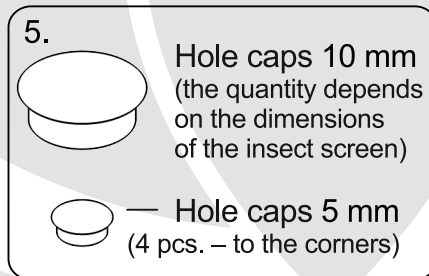
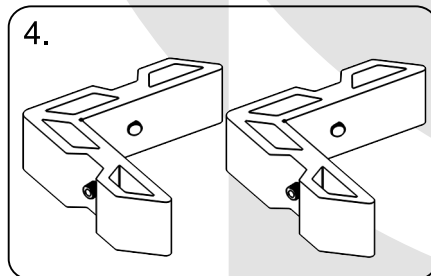
Installation instructions

Insect screen – double pleated version

Packaging content:



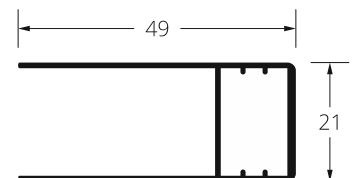
- 1. Package MPH.
- 2. Guide channels – insect screen frame
- 3. Covering profile – with magnetic tape.
- 4. Corners – guide channels connectors.
- 5. Hole caps.
- 6. Division element.
- 7. Allen key 2,5 mm.



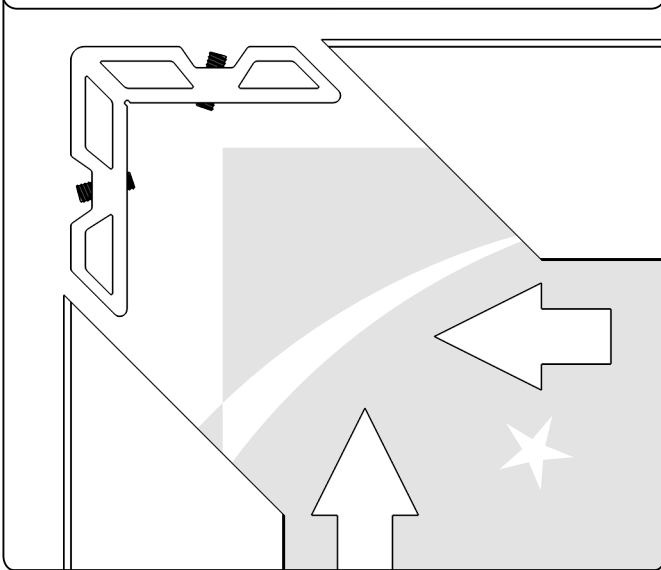
Measurement – please specify total width and height of the insect screen when ordering.

Total dimensions- dimensions of insect screen frame (guide channels).

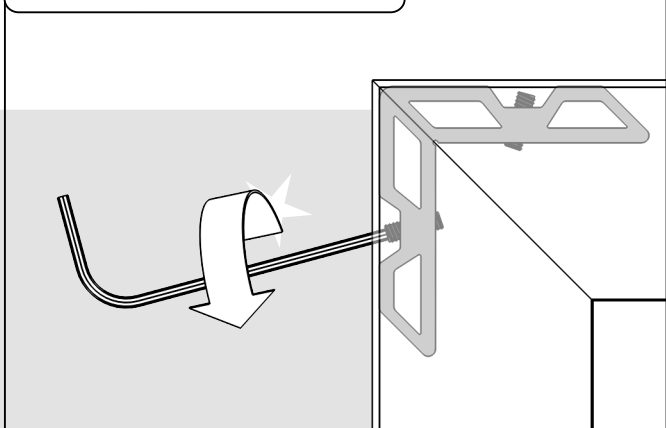
Dimensions of guide channels:





Assembling of guide channels and corners.



After assembling fasten the screws in the corners.

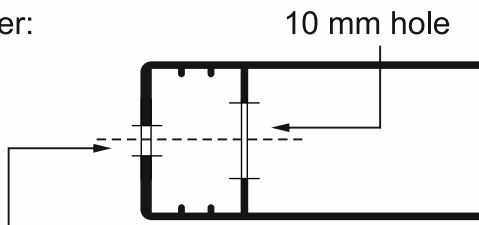


When fastened – place the hole caps (5 mm). 

Mounting in recess. 

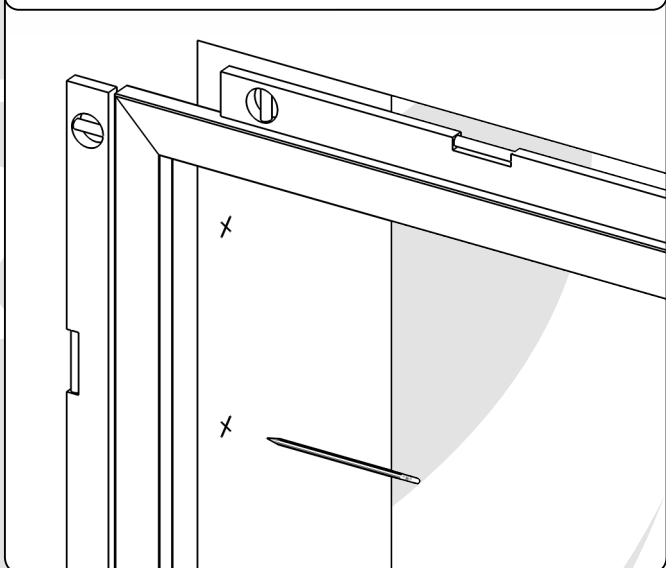
Before mounting of the frame, drill the holes in guide channels. When the screen is mounted in recess – the holes must be drilled on the side of guide channel (pic.).

Diameter:

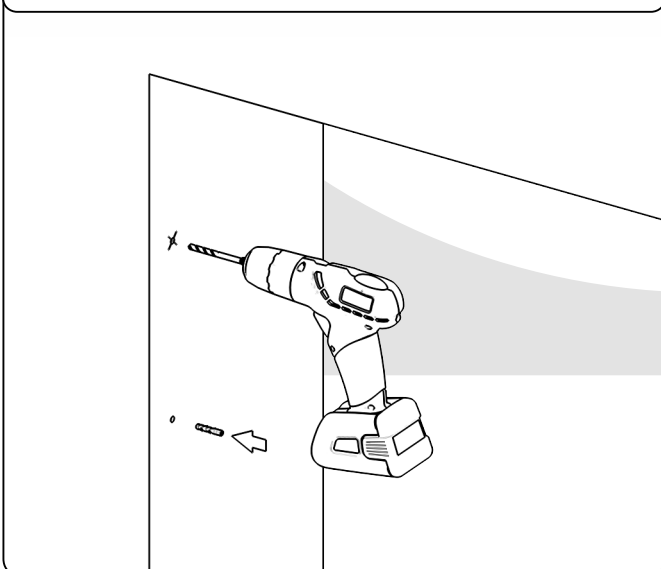


3,5 mm hole for screw

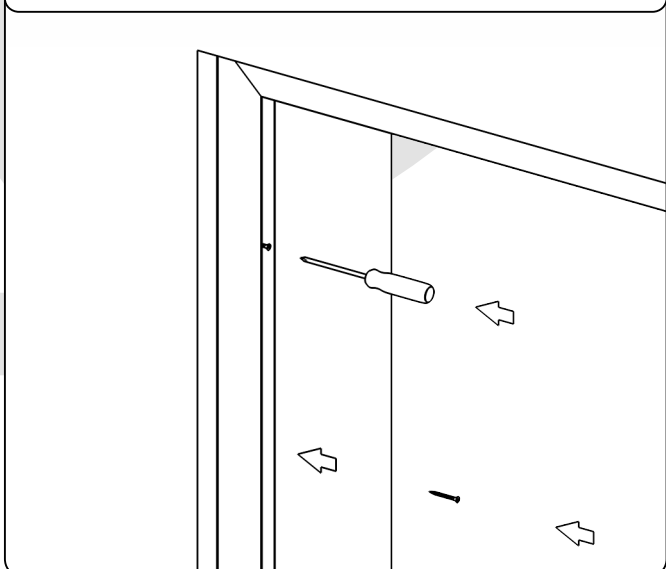
Mounting in recess – fastening the frame 1.



Mounting in recess – fastening the frame 2.



Mounting in recess – fastening the frame 3.

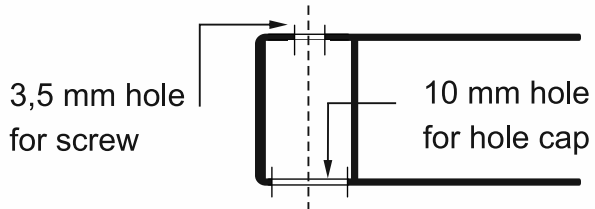


Surface mounting.

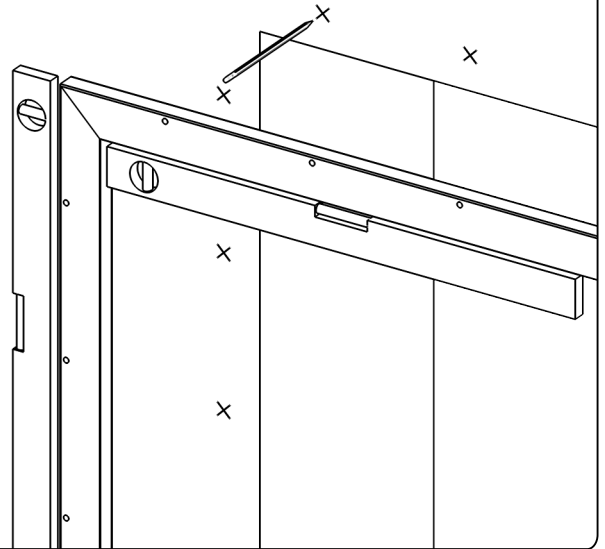


Before mounting of the frame, drill the holes in guide channels. When the screen is surface mounted- holes must be drilled on the front of guide channel (pic.).

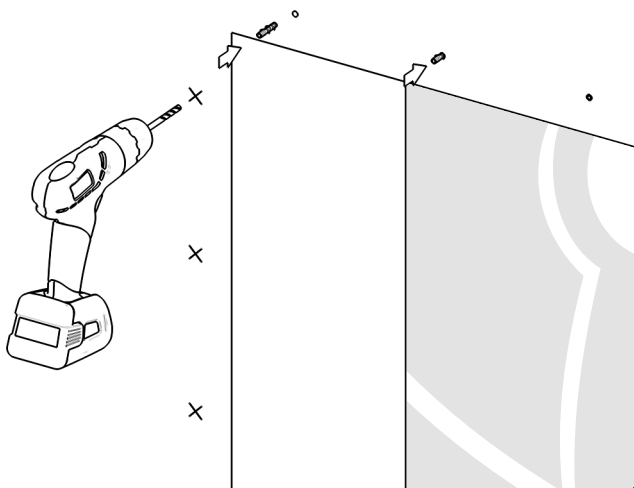
Diameter:



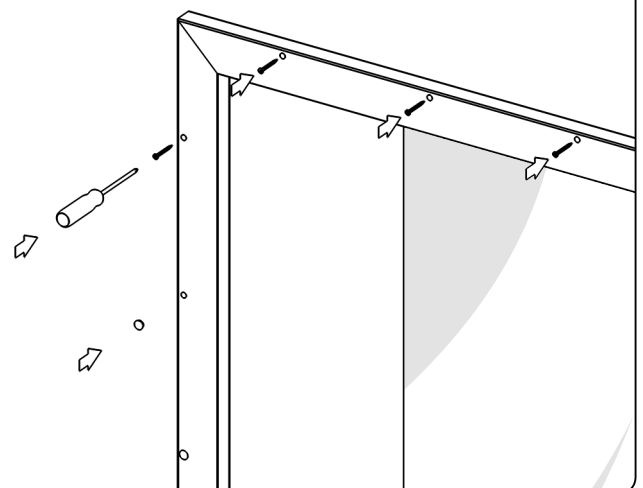
Surface mounting – fastening the frame 1.



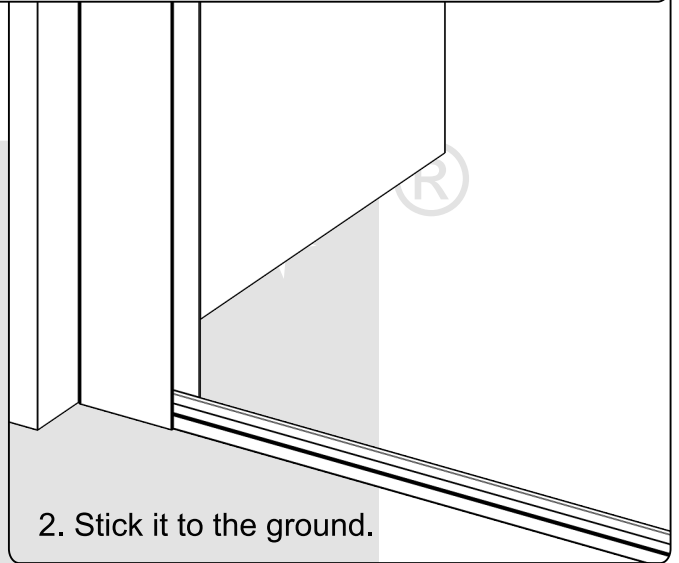
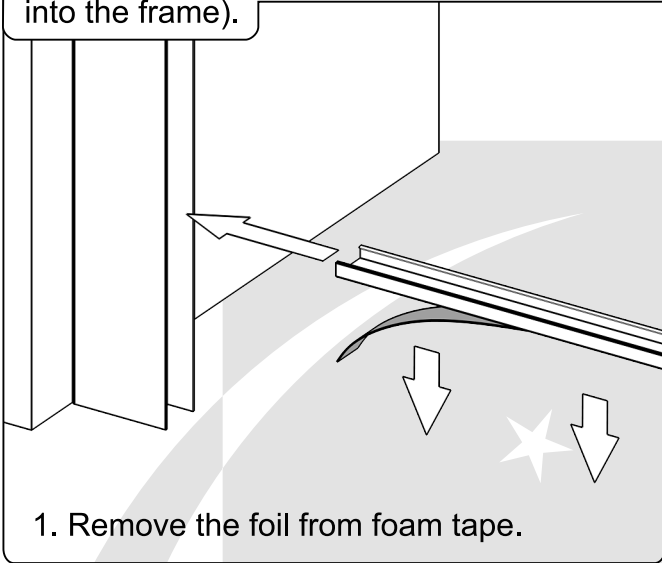
Surface mounting – fastening the frame 2.



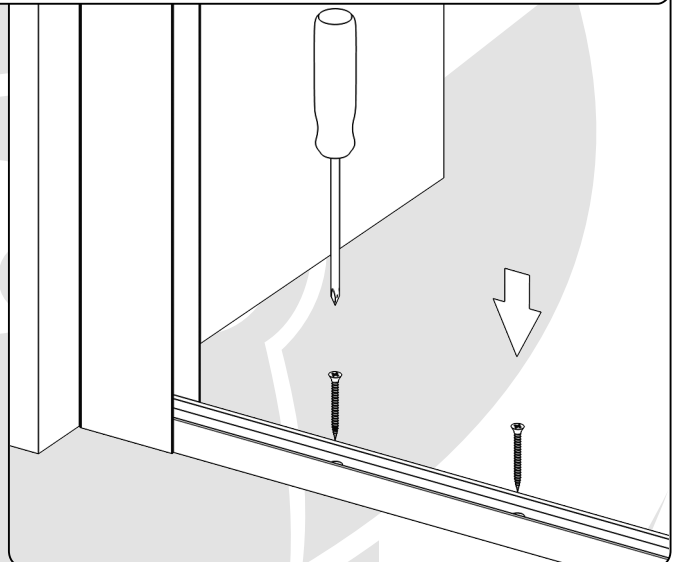
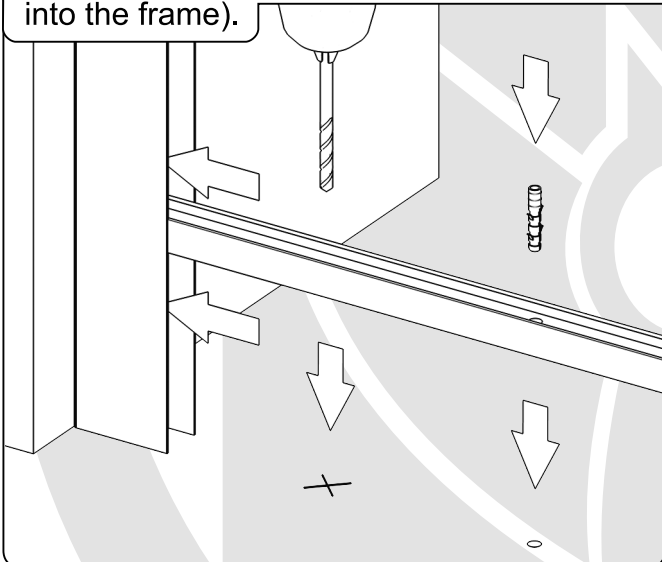
Surface mounting – fastening the frame 3.



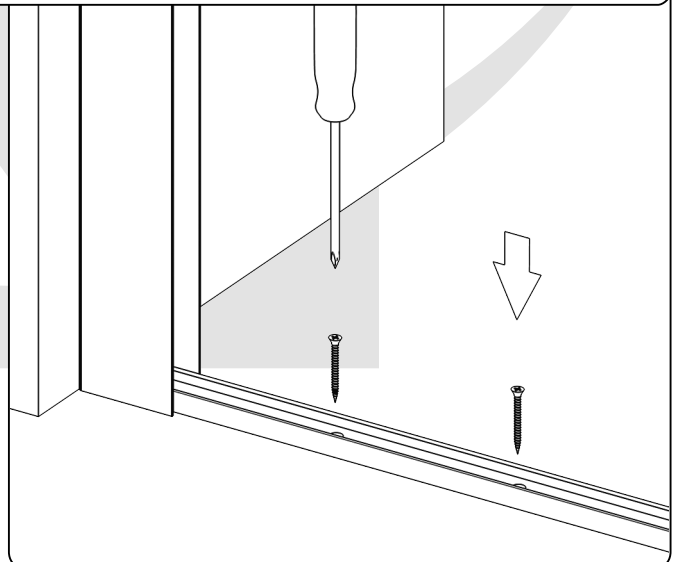
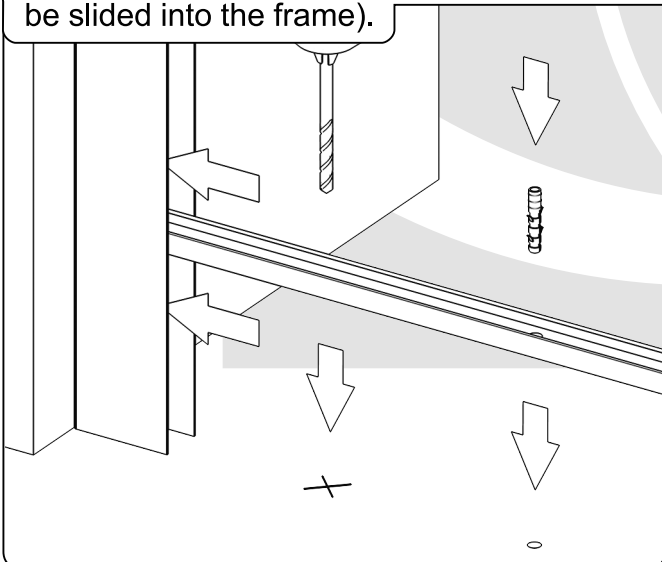
Installation of the glued bottom profile (during the assembly of the profile it should be slid into the frame).



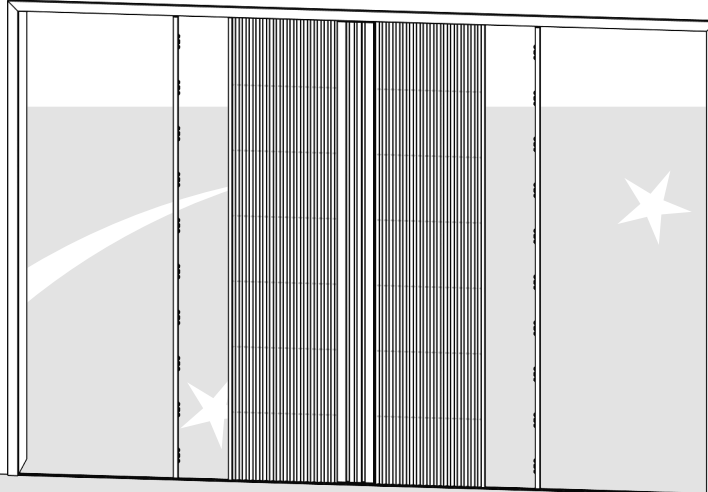
Installation of the screwed bottom profile (during the assembly of the profile it should be slid into the frame).



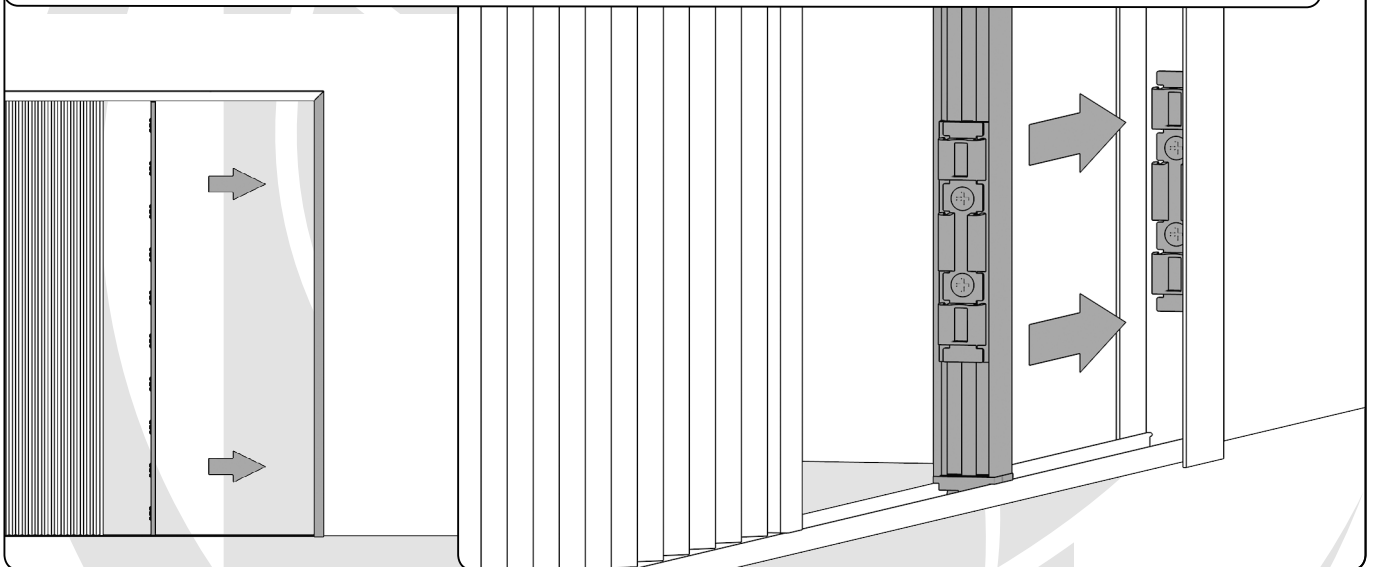
Installation of the slanting screwed bottom profile (during the assembly of the profile it should be slid into the frame).



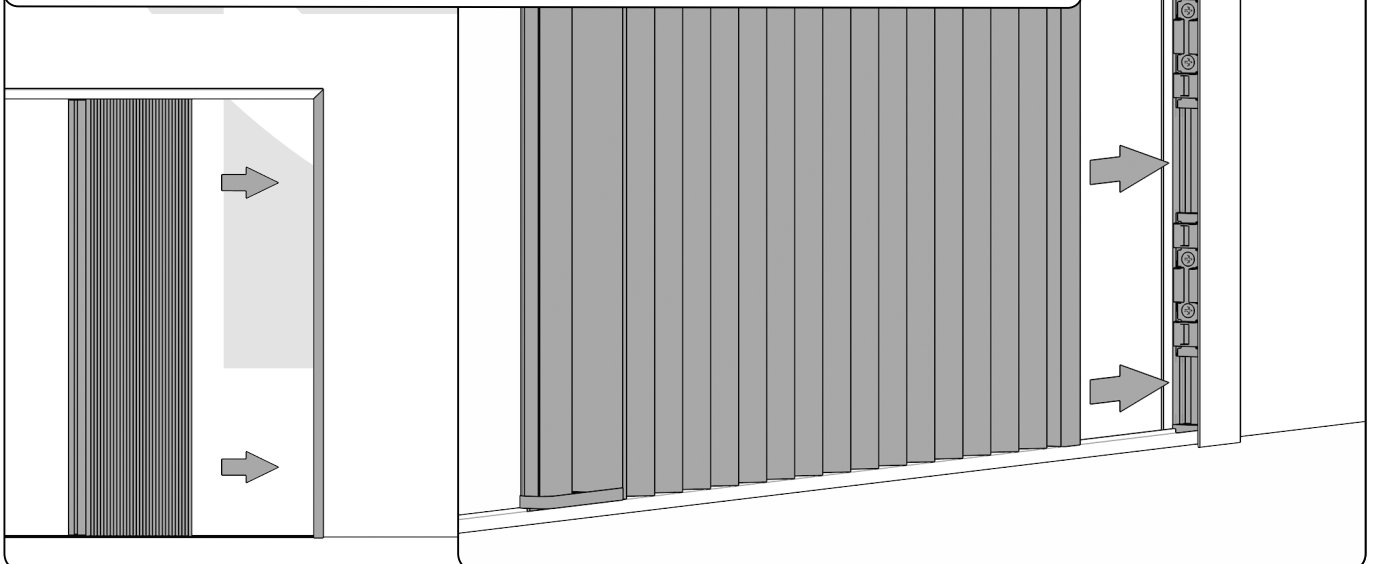
Assembling the sets - both sets should be inserted into the frame at once together with the tension profiles.



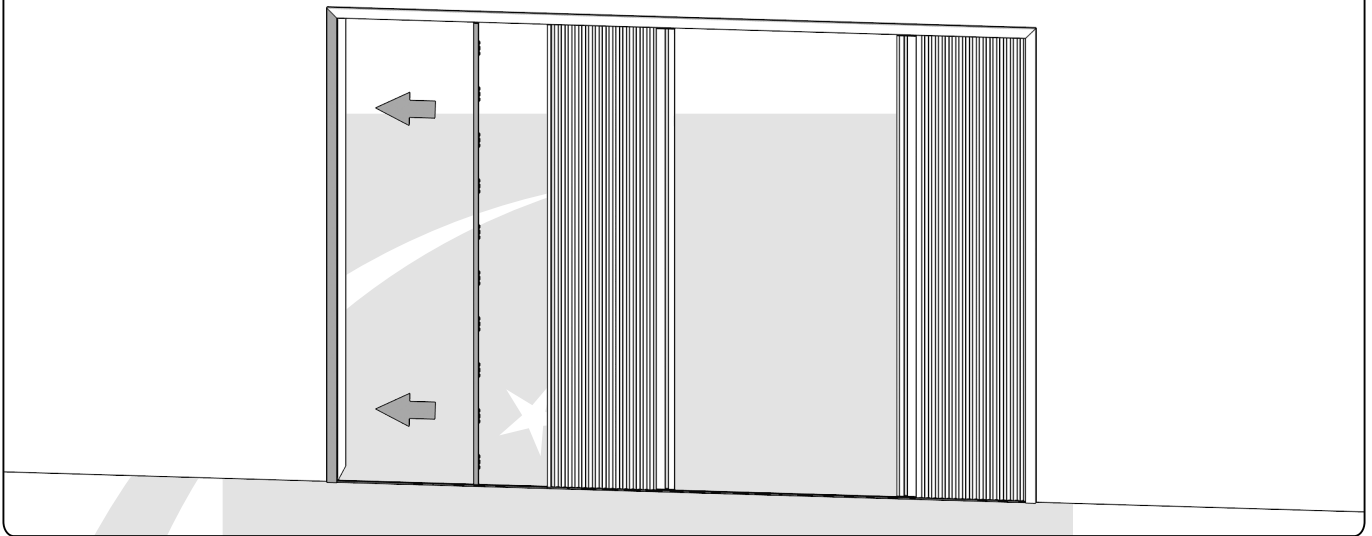
Then, install one of the tension profiles by sticking it on the click-fits mounted in the frame.



Then, on the same side, mount the MPH set by sticking it onto the frame.



Proceed in the same way with the tension profile on the opposite side, sticking it into the frame.



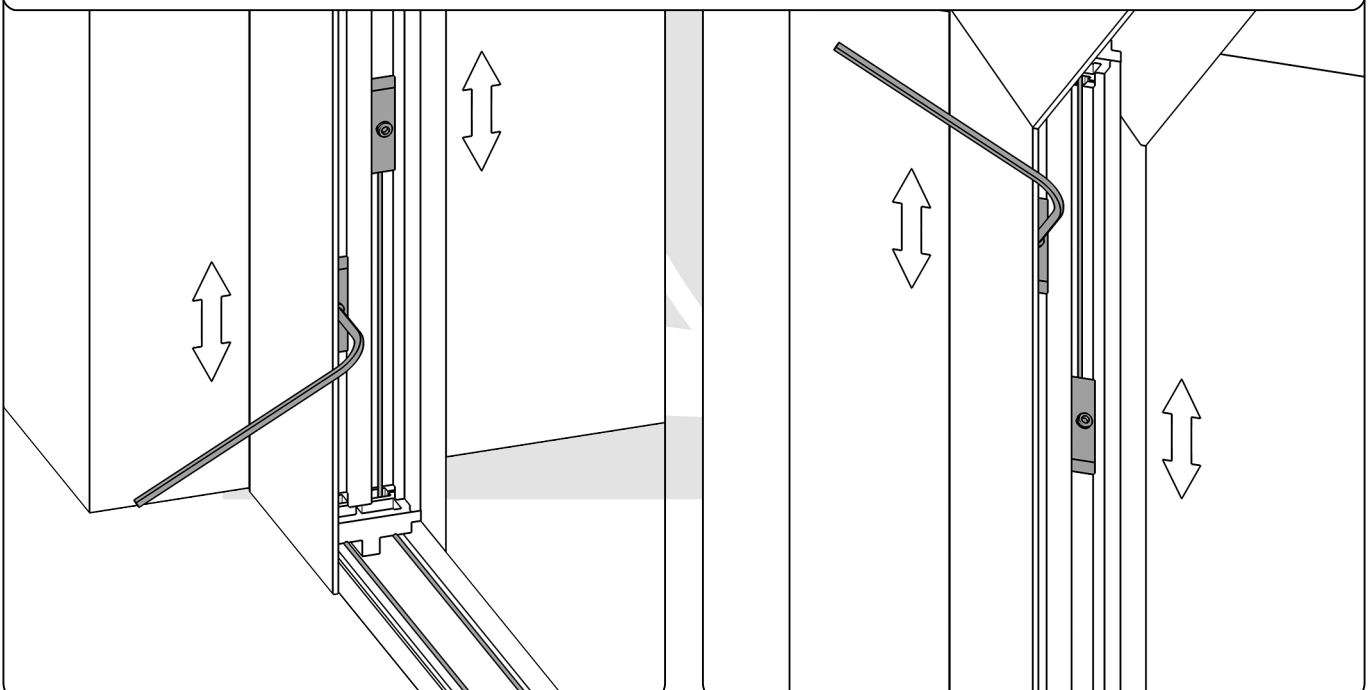
Adjustment of the strings.

After installation of tensioning profile and MPH package you should adjust the tension of the strings by moving the pvc string endings up or down. When it's completed, fasten the screw with hex key.

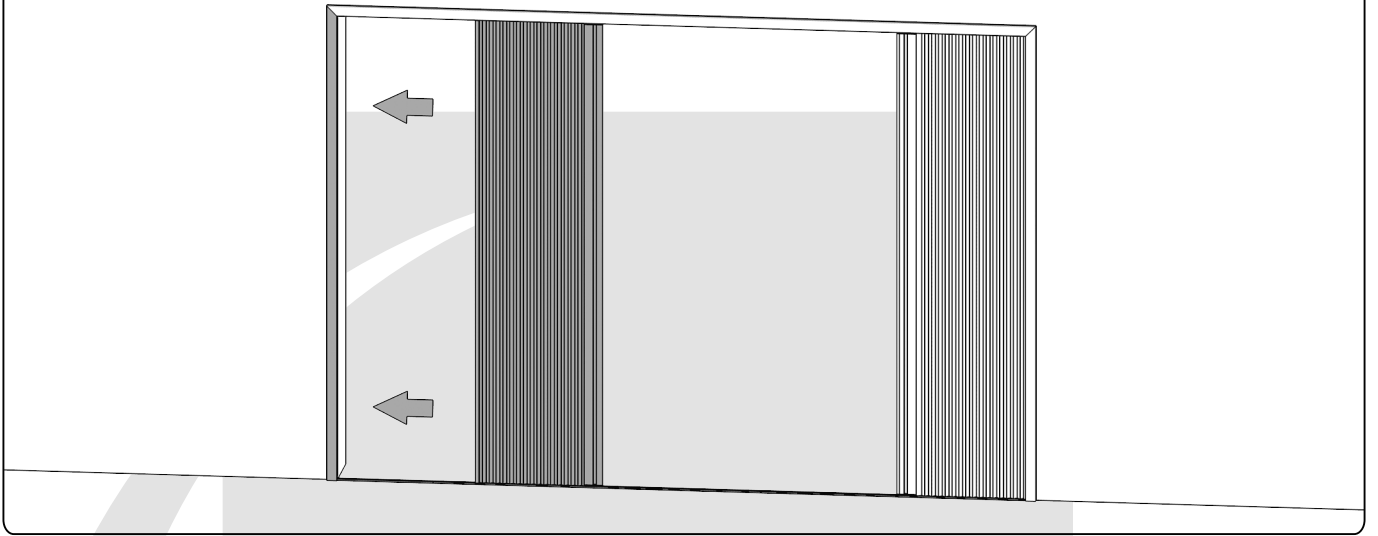
The strings mustn't be tensed too much because it may cause the damage of the insect screen. The whole process of tensioning the strings should be done in a gentle way.

If necessary, you may cut the strings and tie them again.

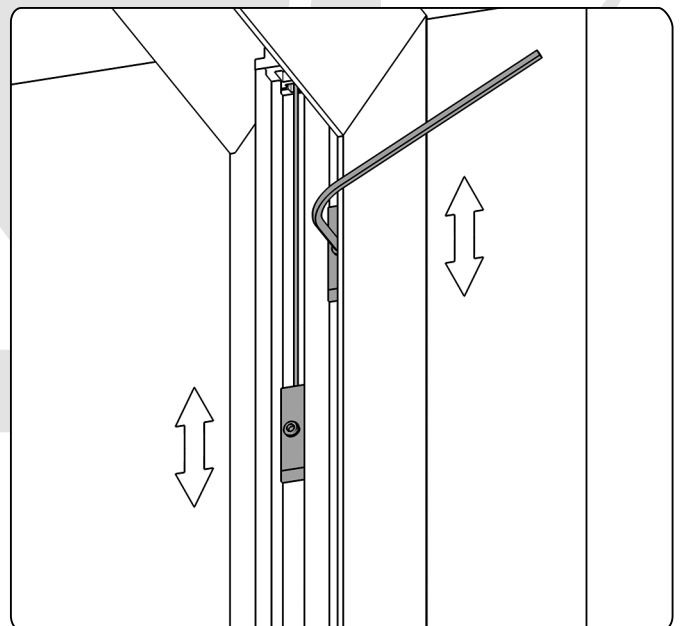
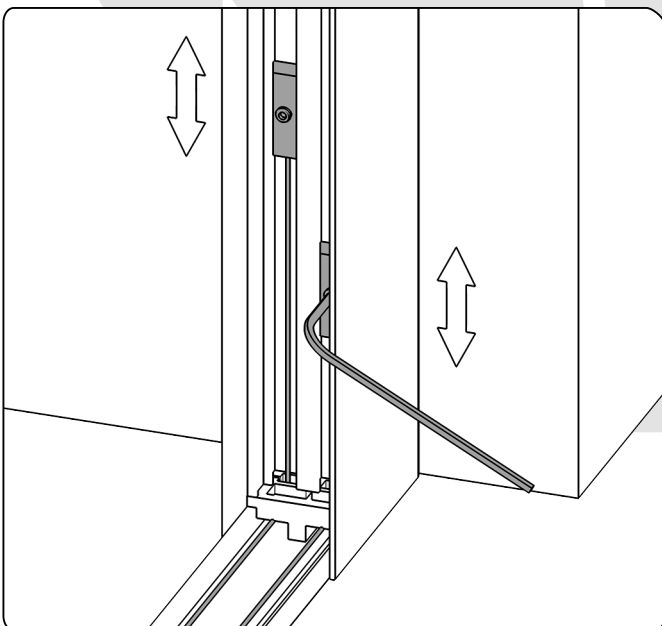
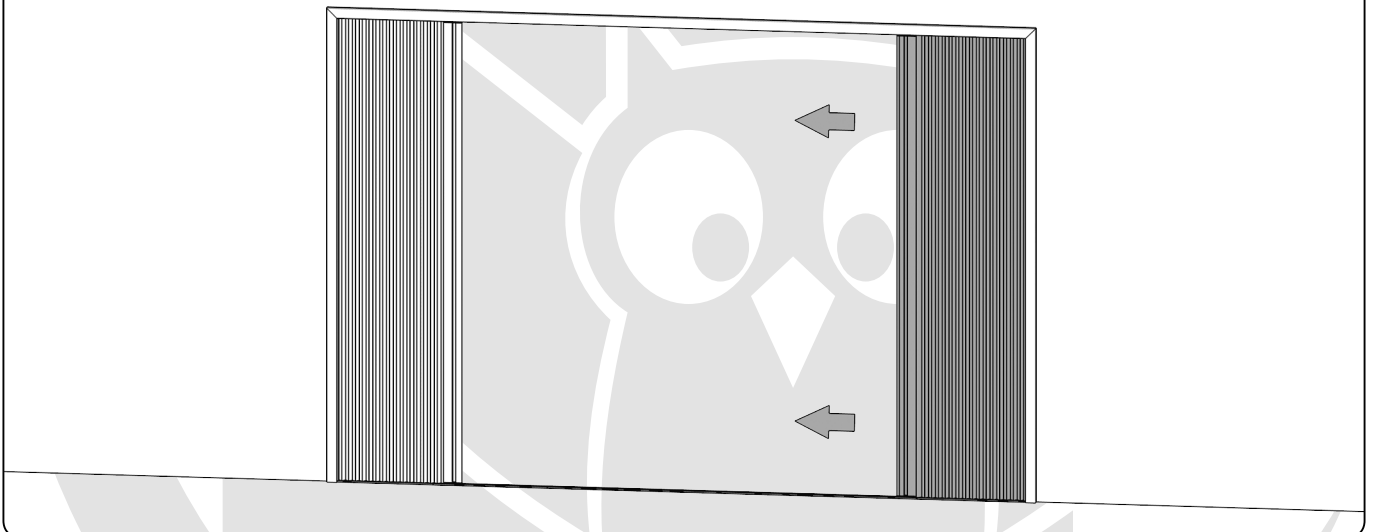
After preliminary adjustment of the strings, you should check if the tension is correct by opening and closing the insect screen. If necessary adjust the tension again.



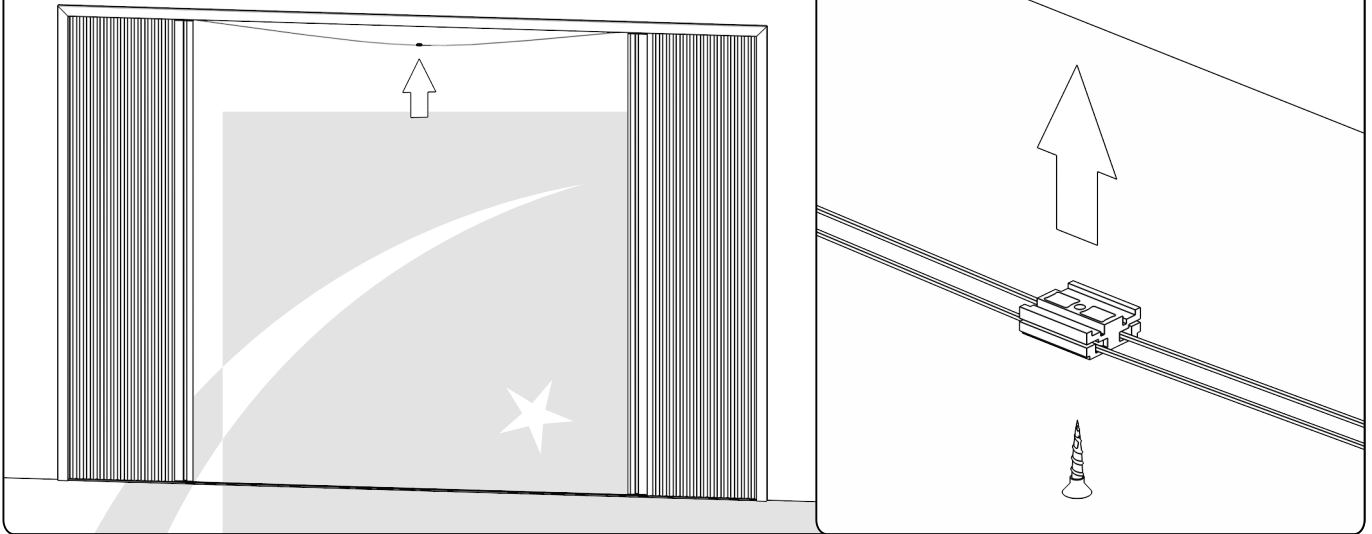
Then stick the next set, similarly to the first.



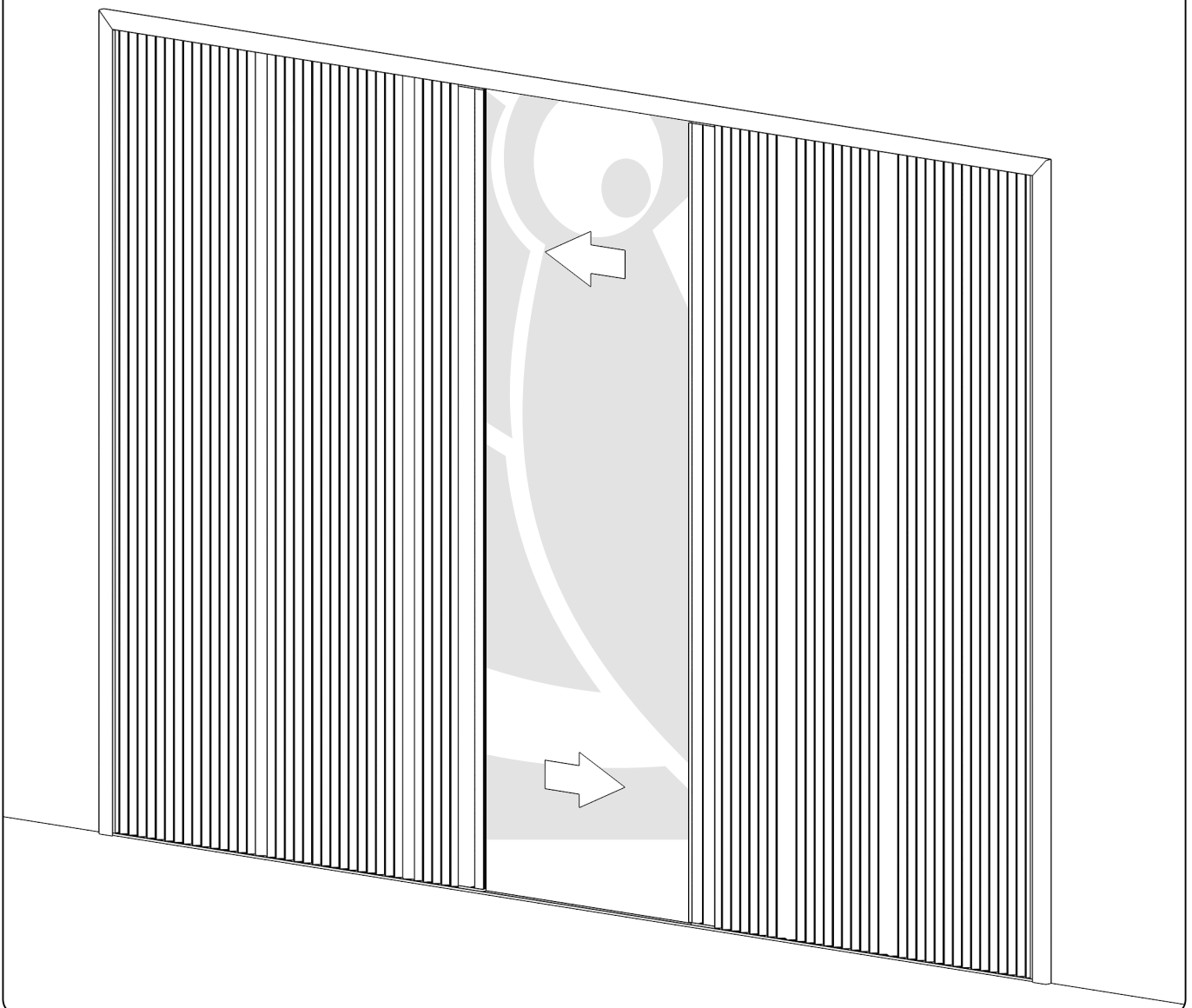
Stick off the first set to adjust the tension of the strings of the second set.



Screw the divider in the appropriate place.



To check if the strings are properly tensioned, you should fully close and open the insect screen several times. If necessary, correct the tension by taking the sets out.





Fart Produkt Sp. z o. o. Sp. k.
ul. Towarowa 3, 87-100 Toruń
tel. +48 56 623 55 77
e-mail: export@fartprodukt.pl
www.fartprodukt.pl