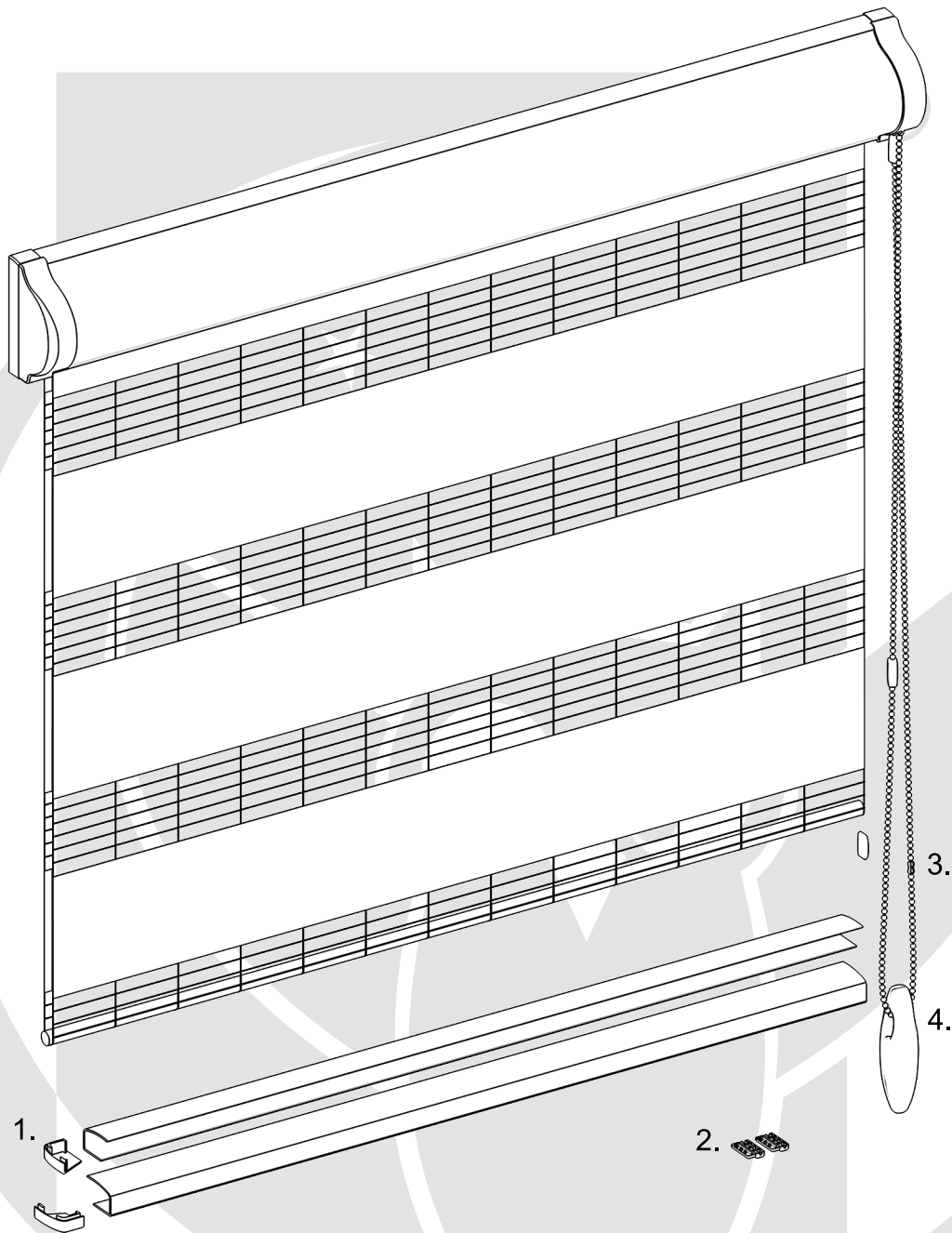




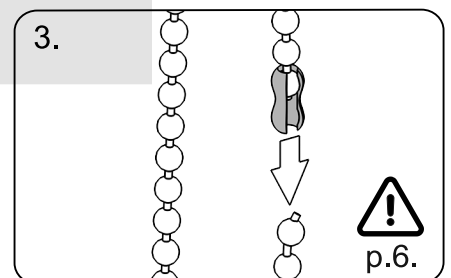
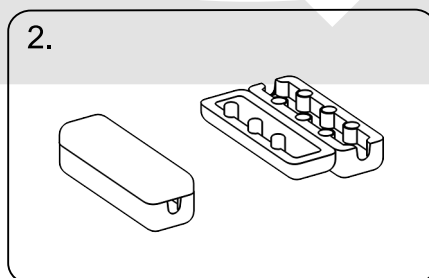
Installation instructions

Gracja profil "Day and Night" fabric roller blind

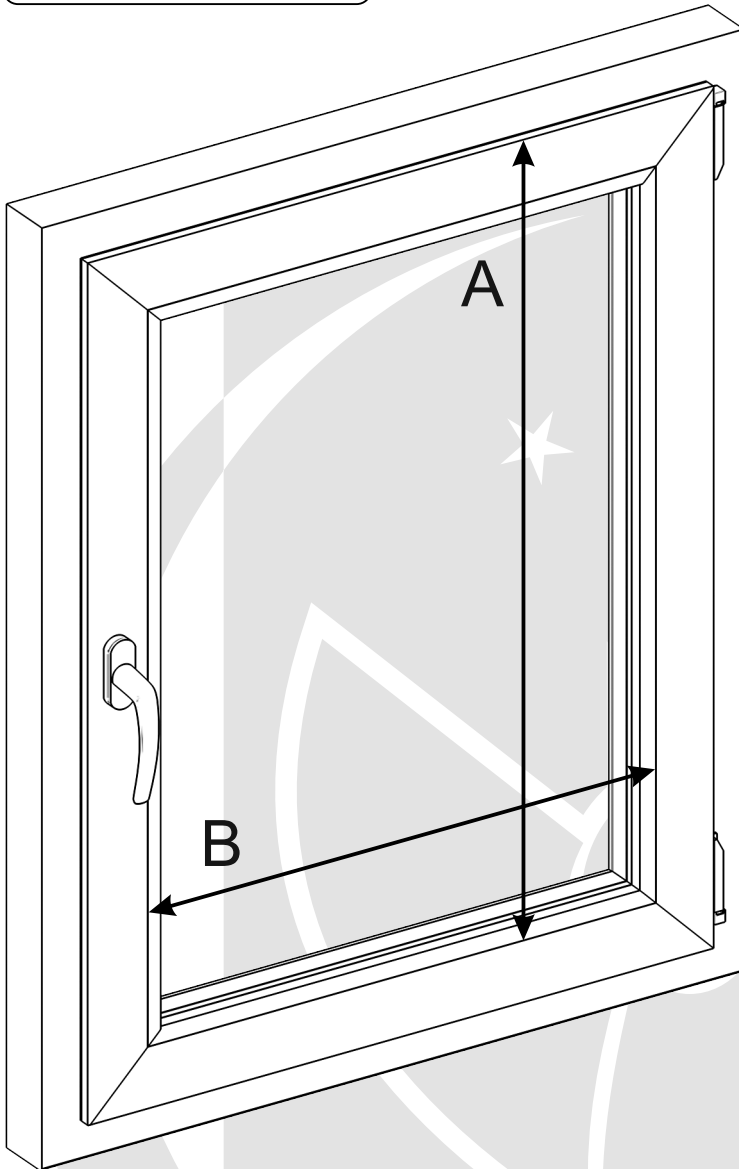
Packaging content:



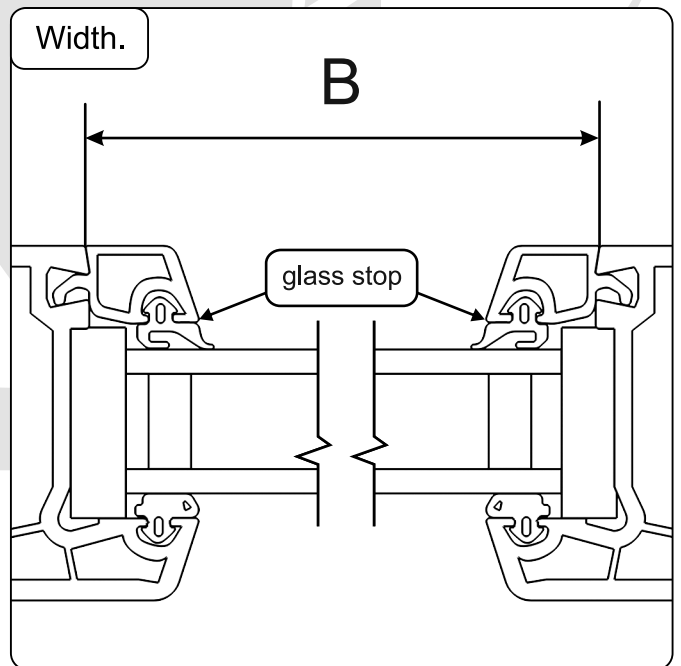
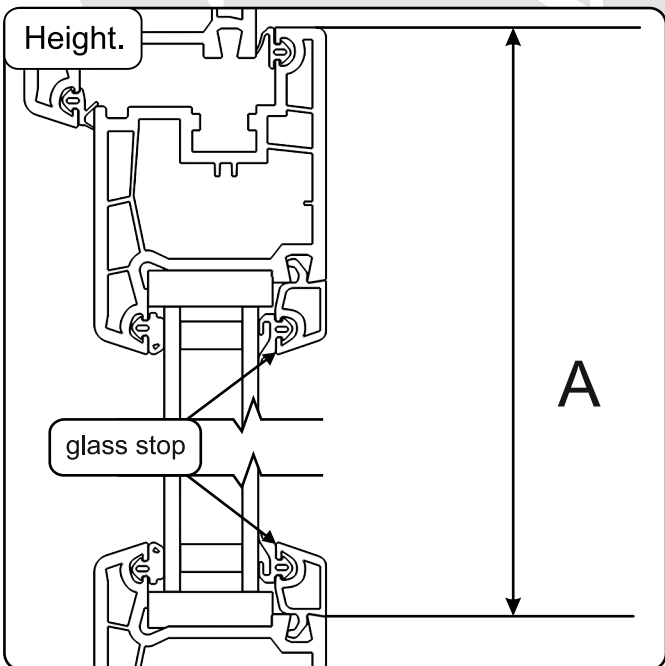
- 1. Side tracks with caps.
- 2. Chain connectors.
- 3. Chain-break connector.
- 4. Chain weight.



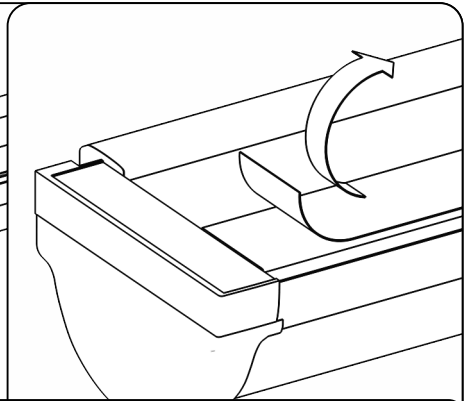
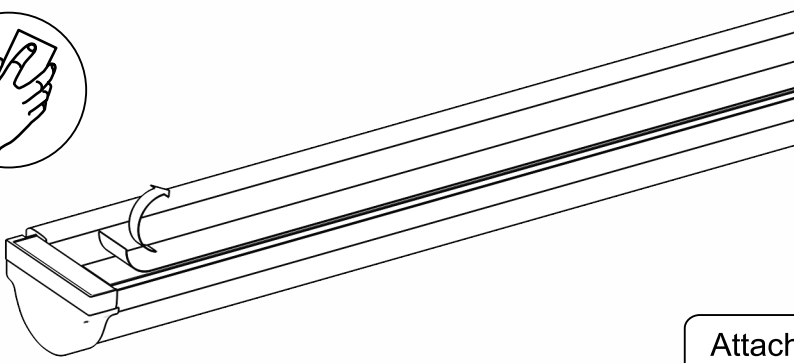
Window measurement.



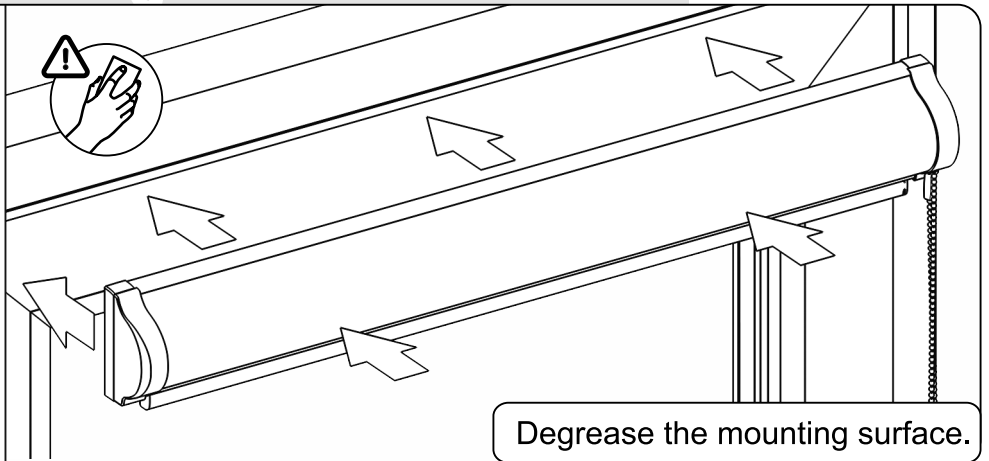
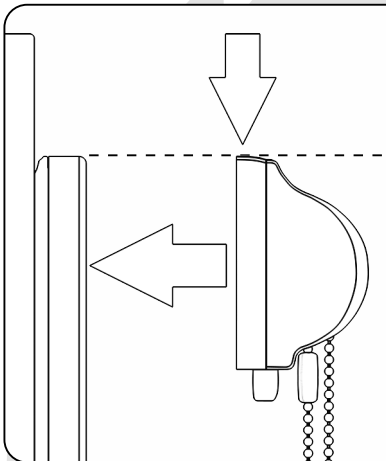
A - measured height.
B - measured width.



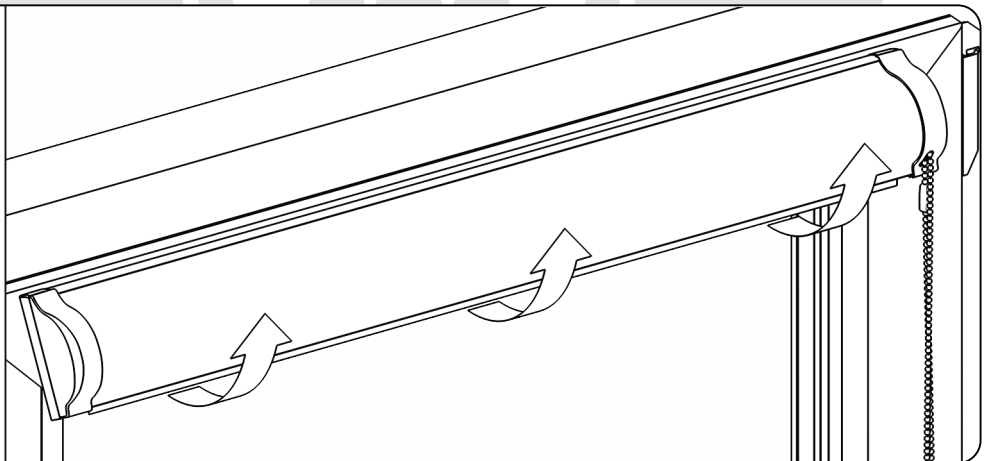
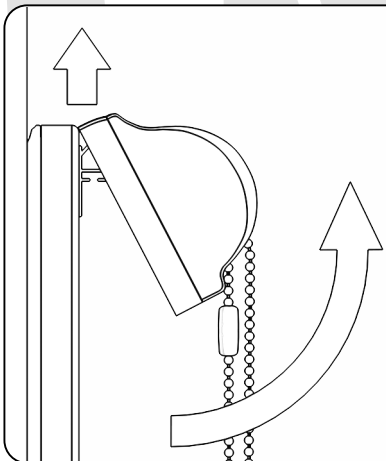
Installing roller blind.



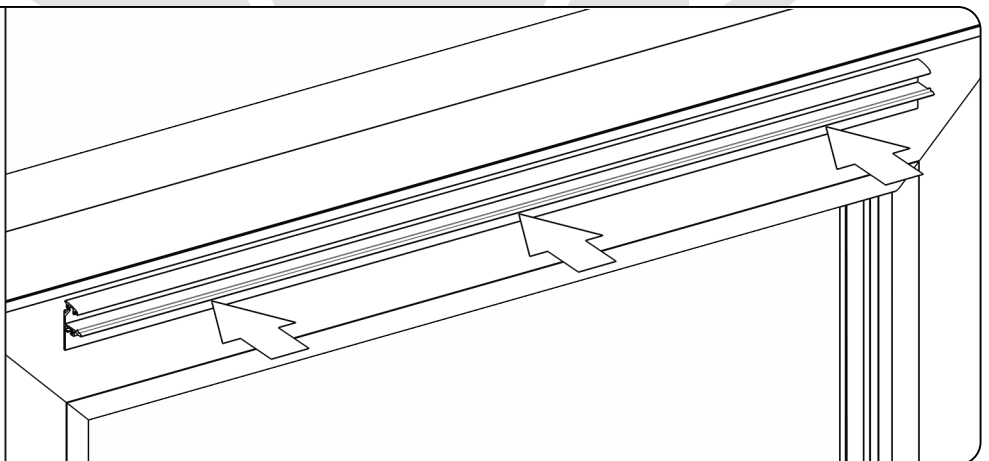
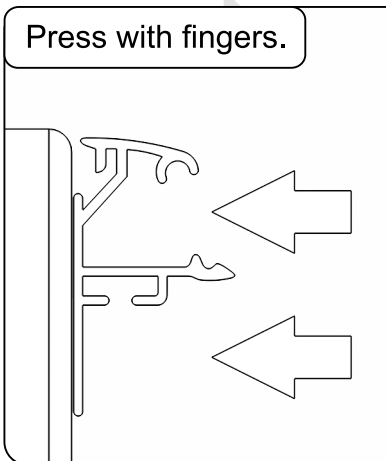
Attach roller blind with adhesive tape.



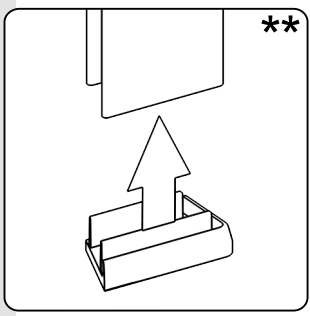
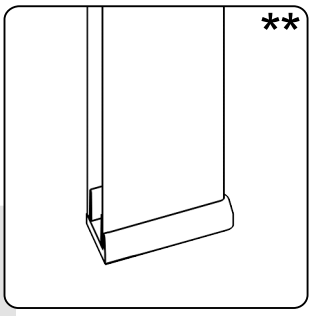
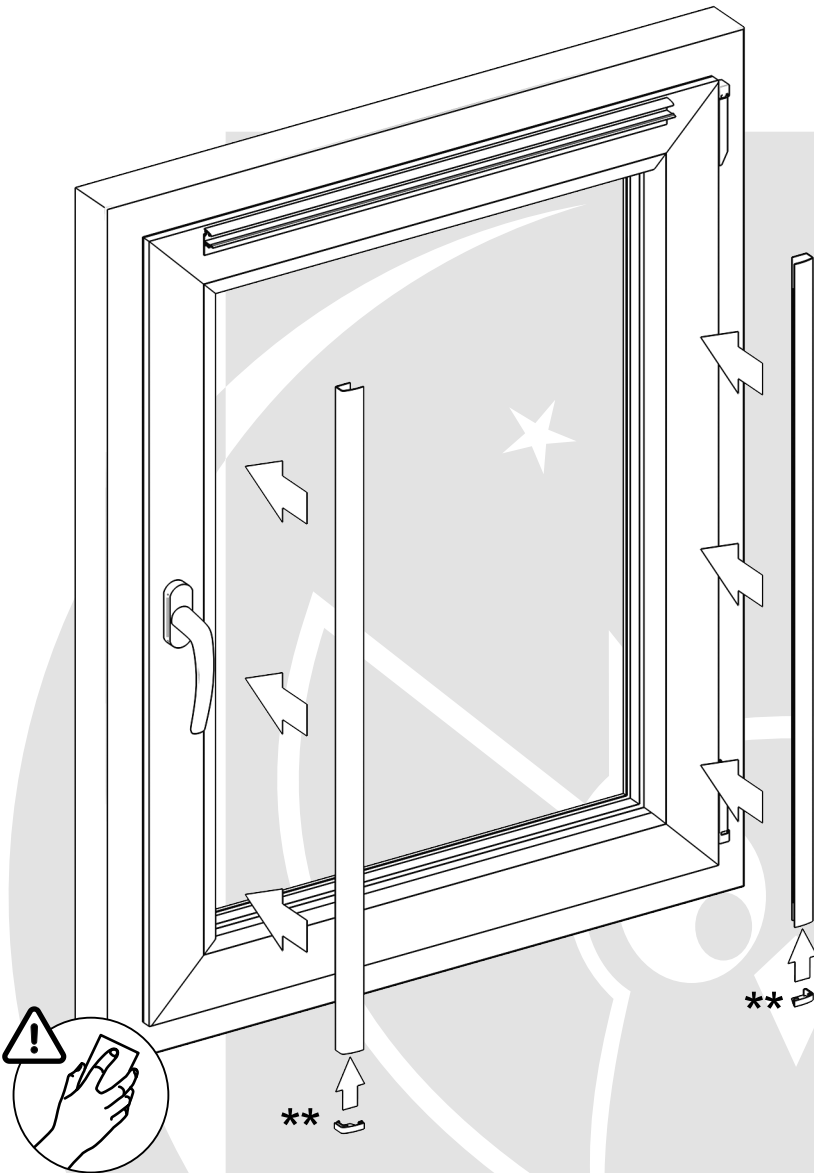
Degrease the mounting surface.



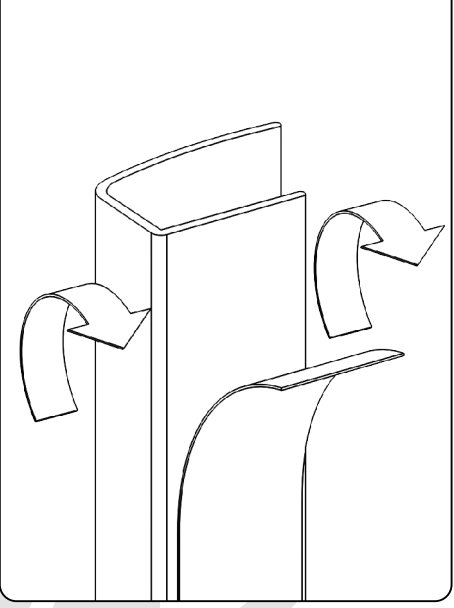
Press with fingers.



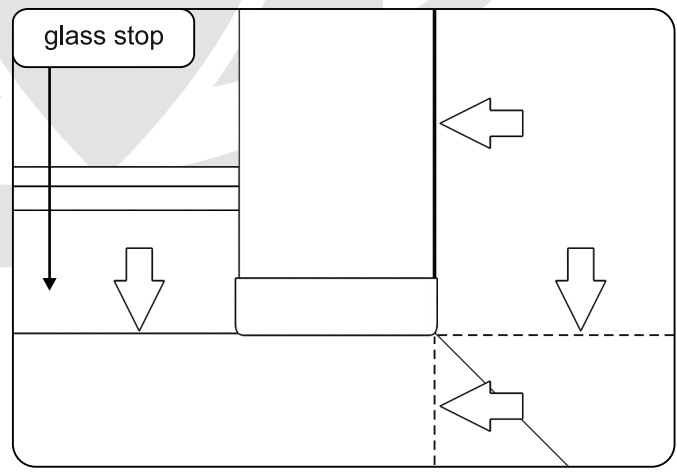
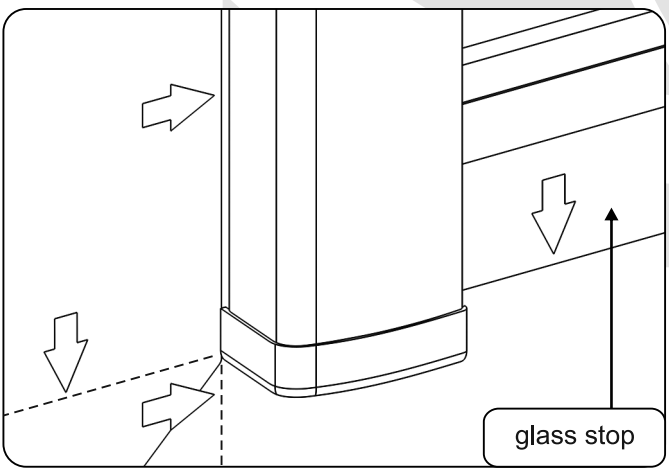
Installing tracks.



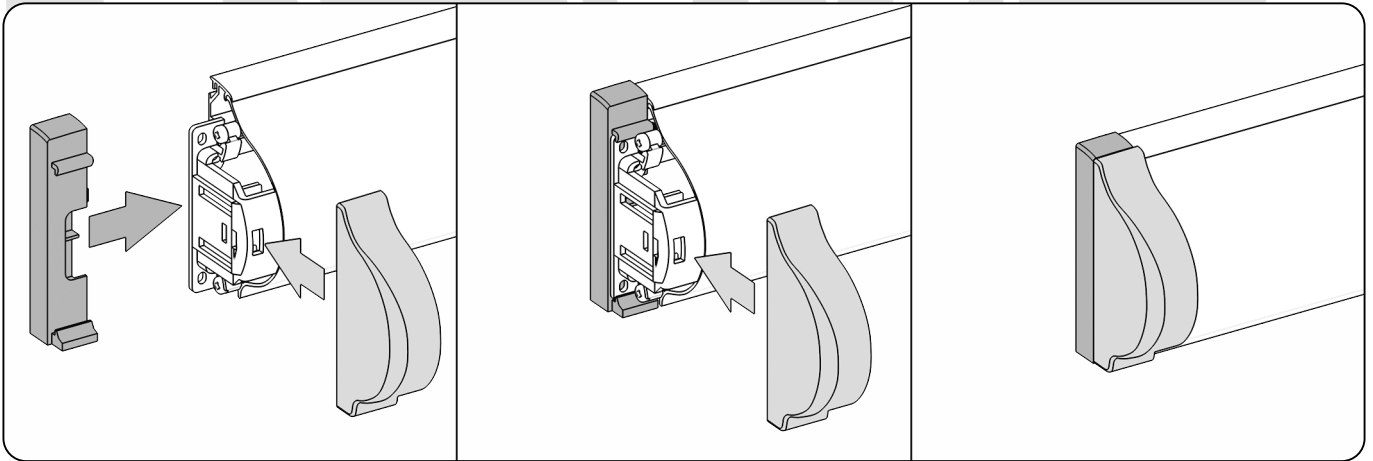
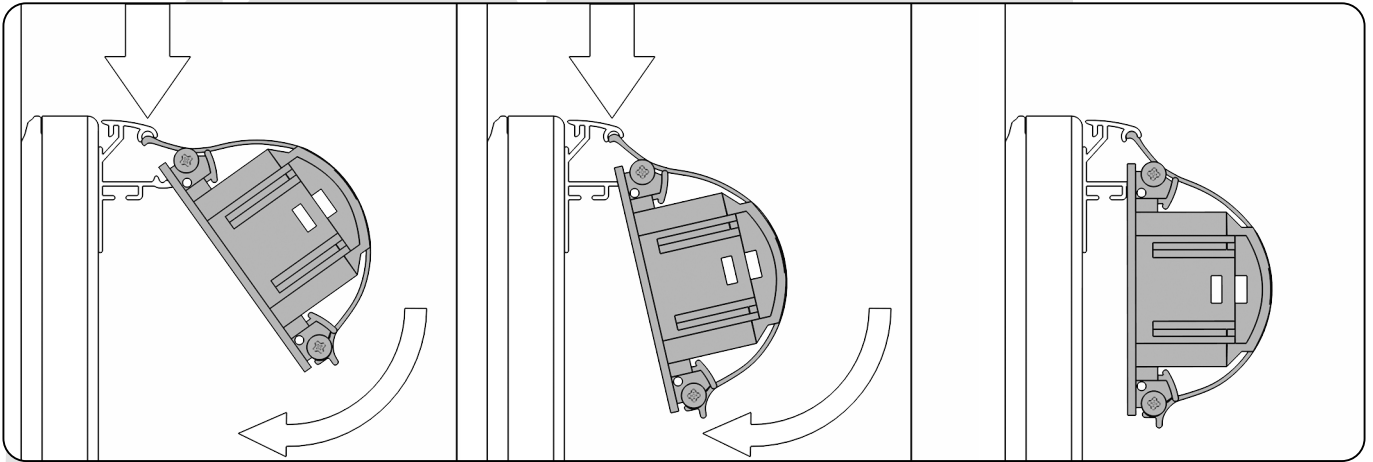
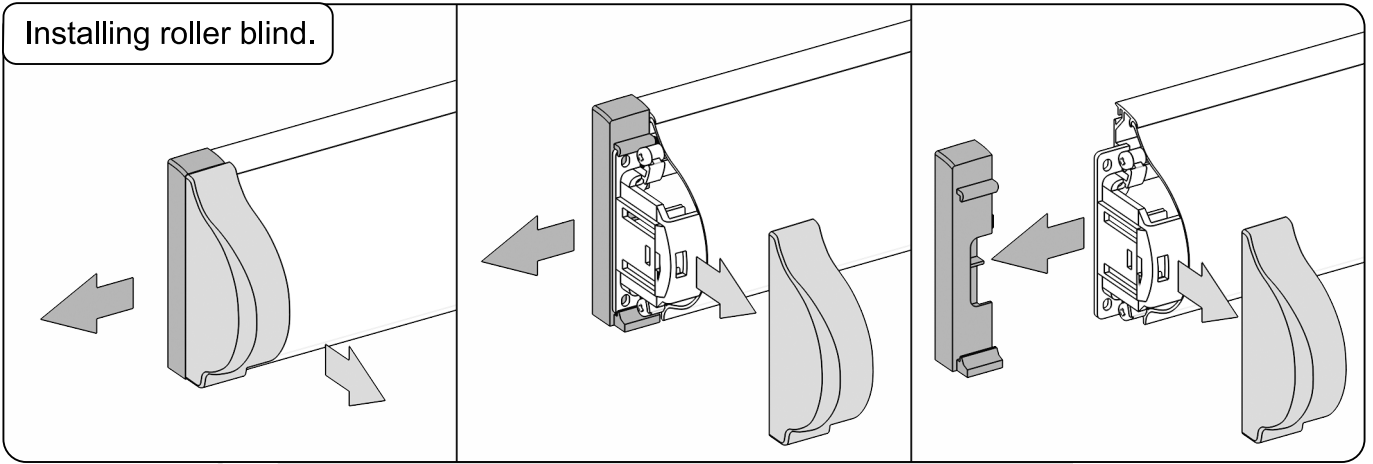
Attach track with adhesive tape.



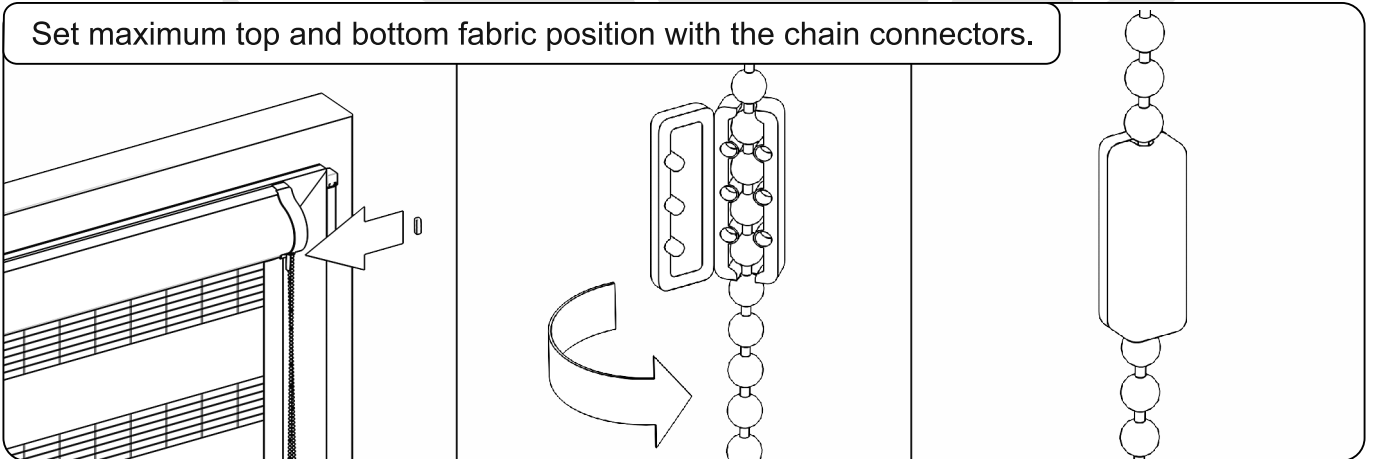
! Degrease the mounting surface.



Installing roller blind.

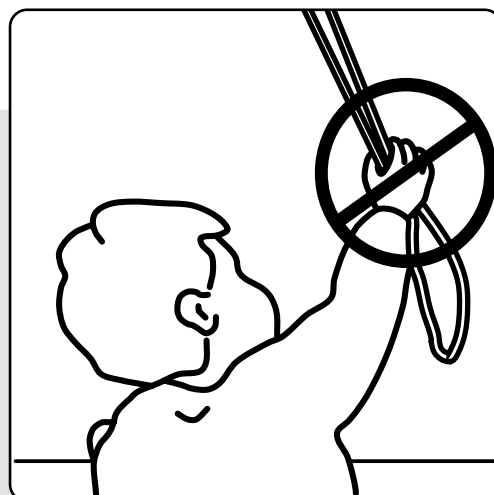


Set maximum top and bottom fabric position with the chain connectors.

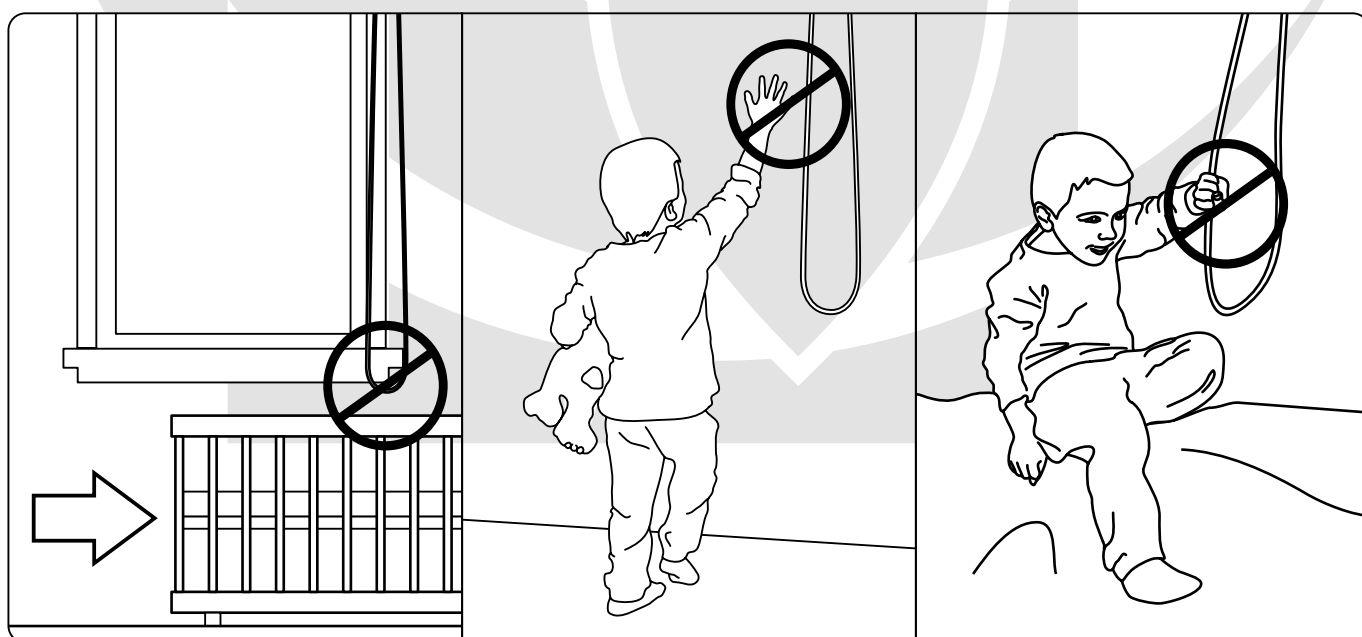
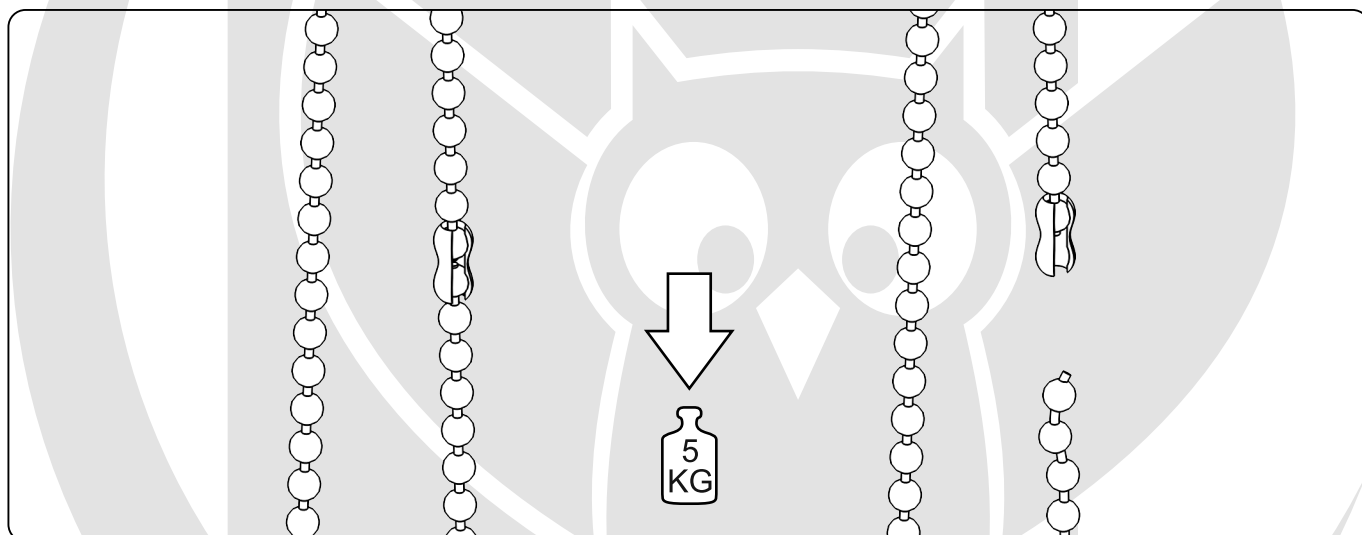


WARNING!

Small children can be strangled in the loops of cords, chains or belts used to operate roller blinds. Children can also wrap cords around their necks. Cords must be kept out of reach of children to avoid entanglement and strangulation. Move beds, cots and furniture away from window covering cords and chains.



To prevent accidental strangulation, all roller blinds are fitted with a chain-break connector as per **EN 13120:2009+A1:2014**.





Fart Produkt Sp. z o. o. Sp. k.
ul. Towarowa 3, 87-100 Toruń
tel. +48 56 623 55 77
e-mail: export@fartprodukt.pl
www.fartprodukt.pl