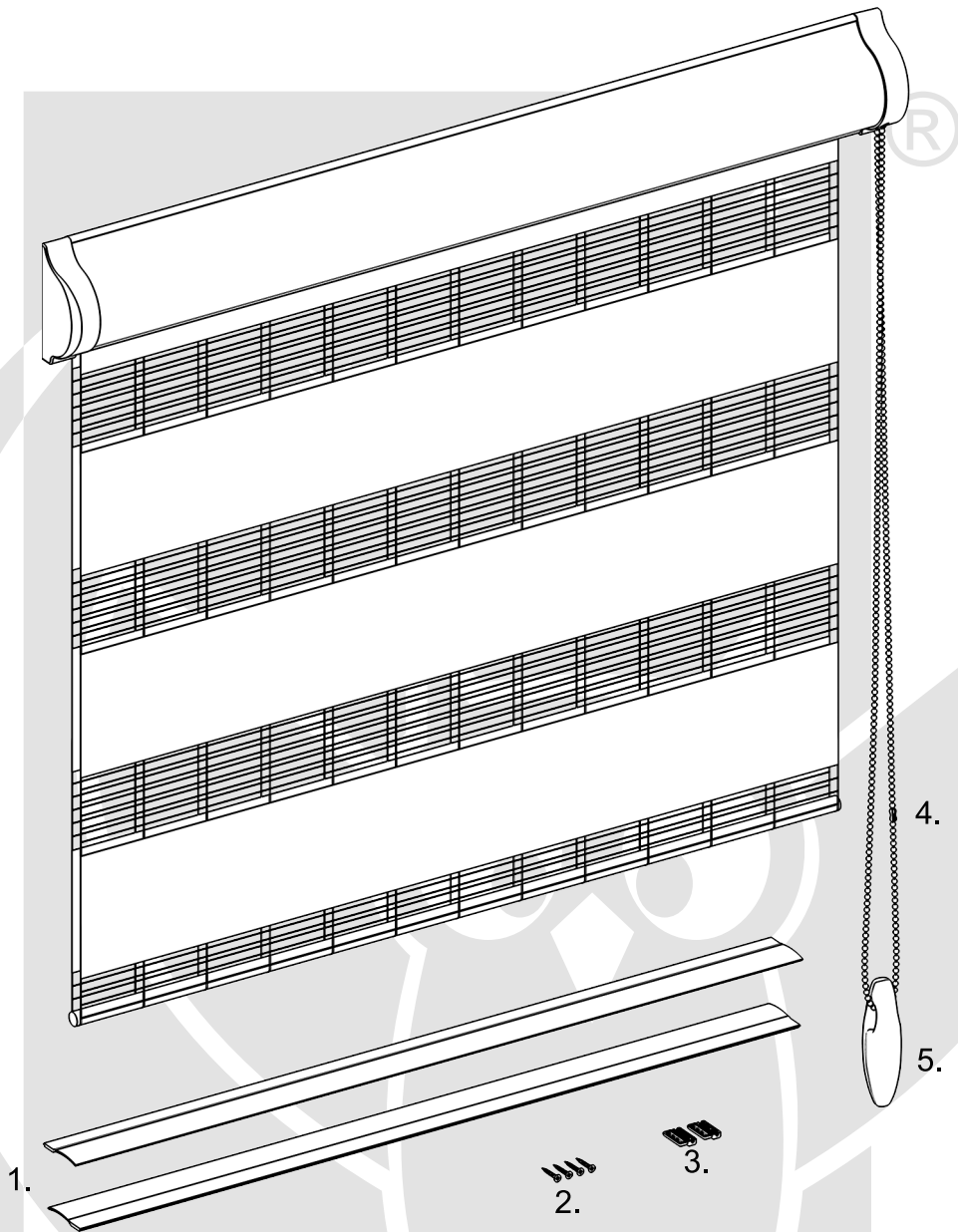




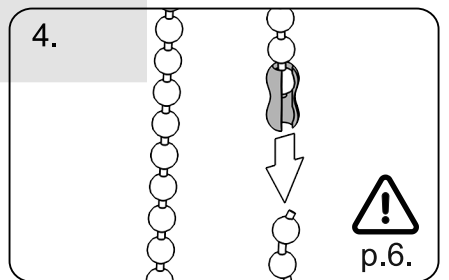
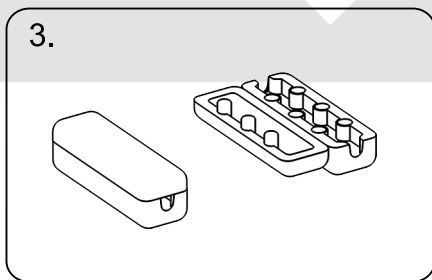
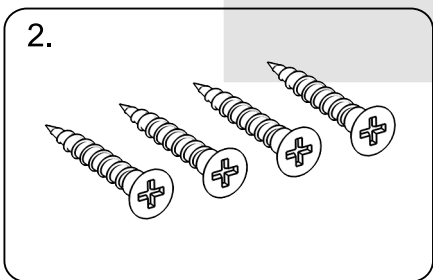
Installation instructions

Gracja "Day and Night" fabric roller blind

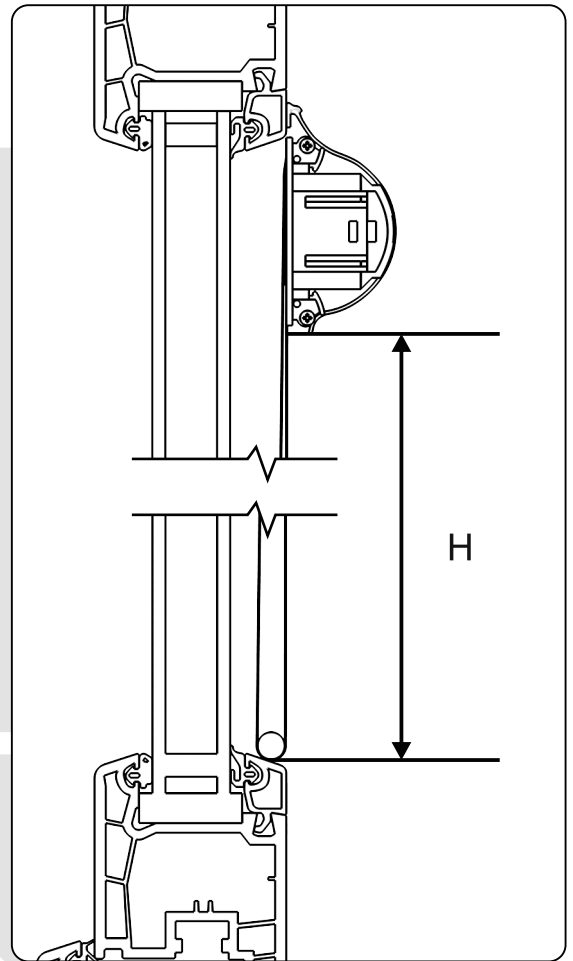
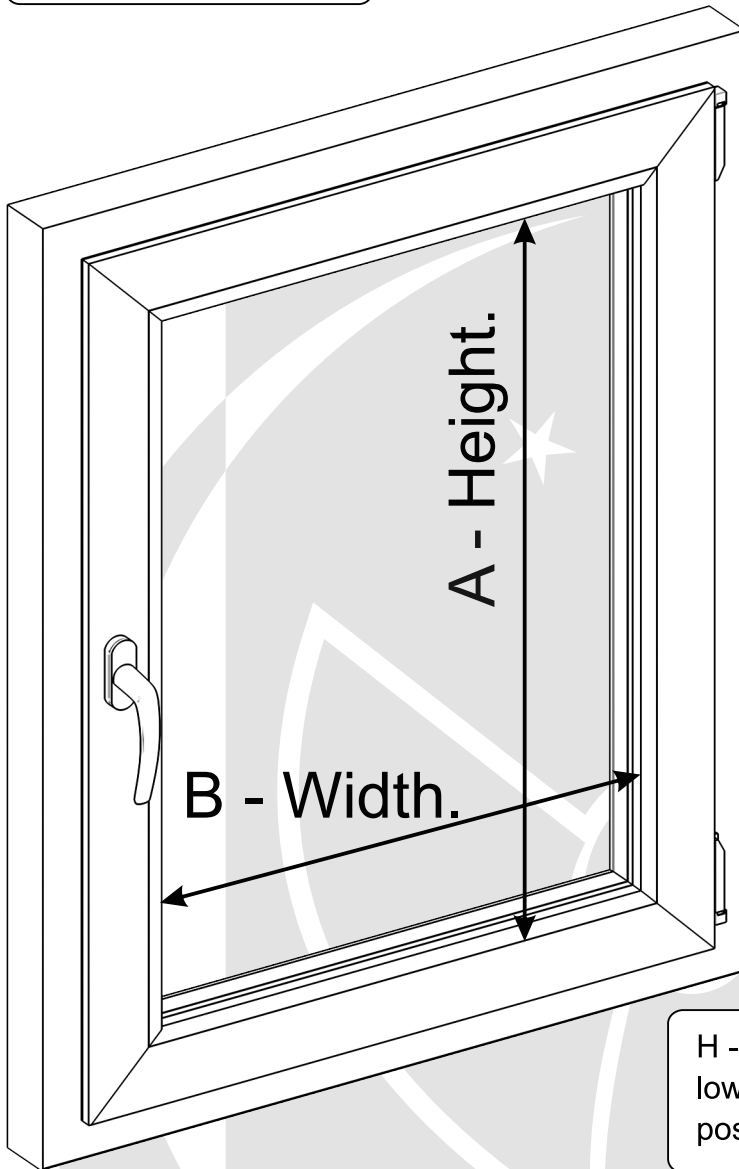
Packaging content:



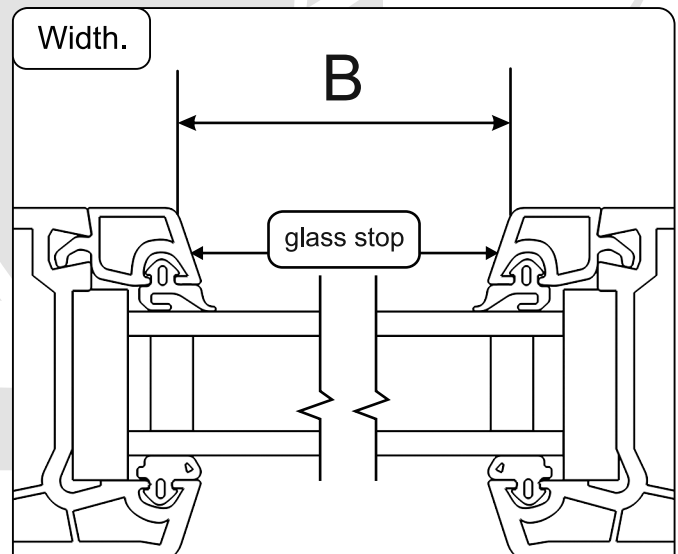
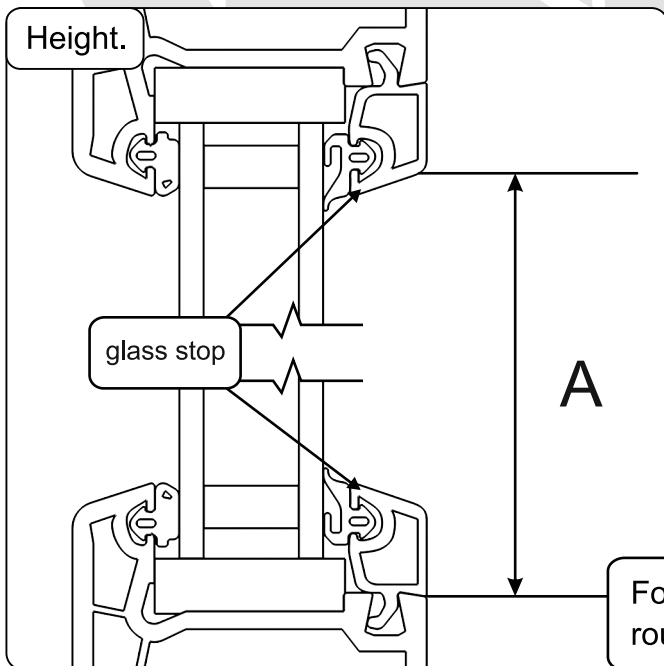
- 1. Side tracks.
- 2. Screws.
- 3. Chain connectors.
- 4. Chain-break connector.
- 5. Chain weight.



Window measurement.

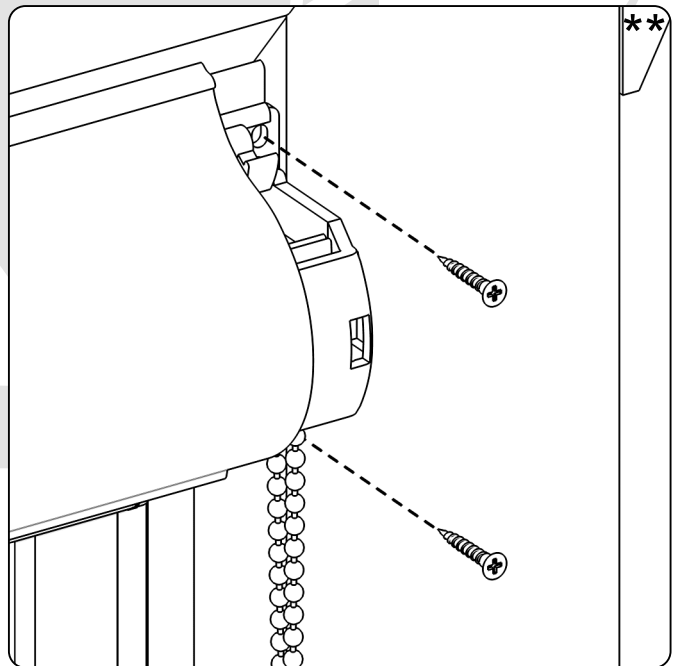
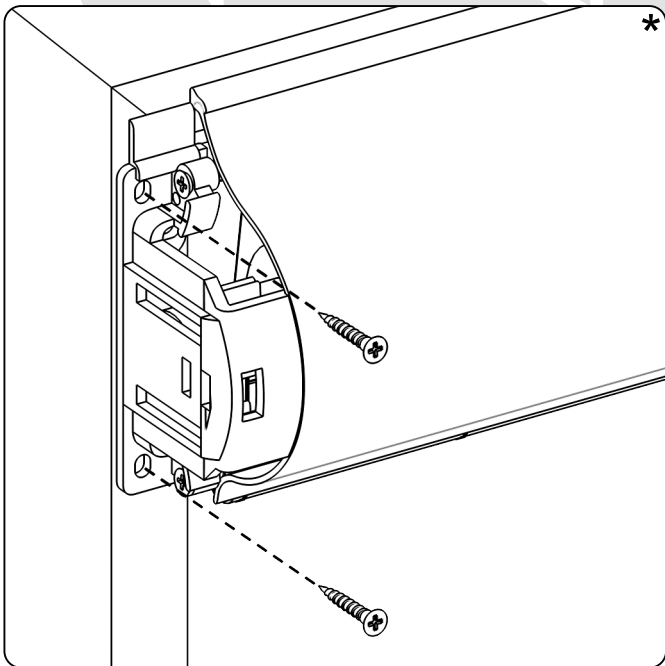
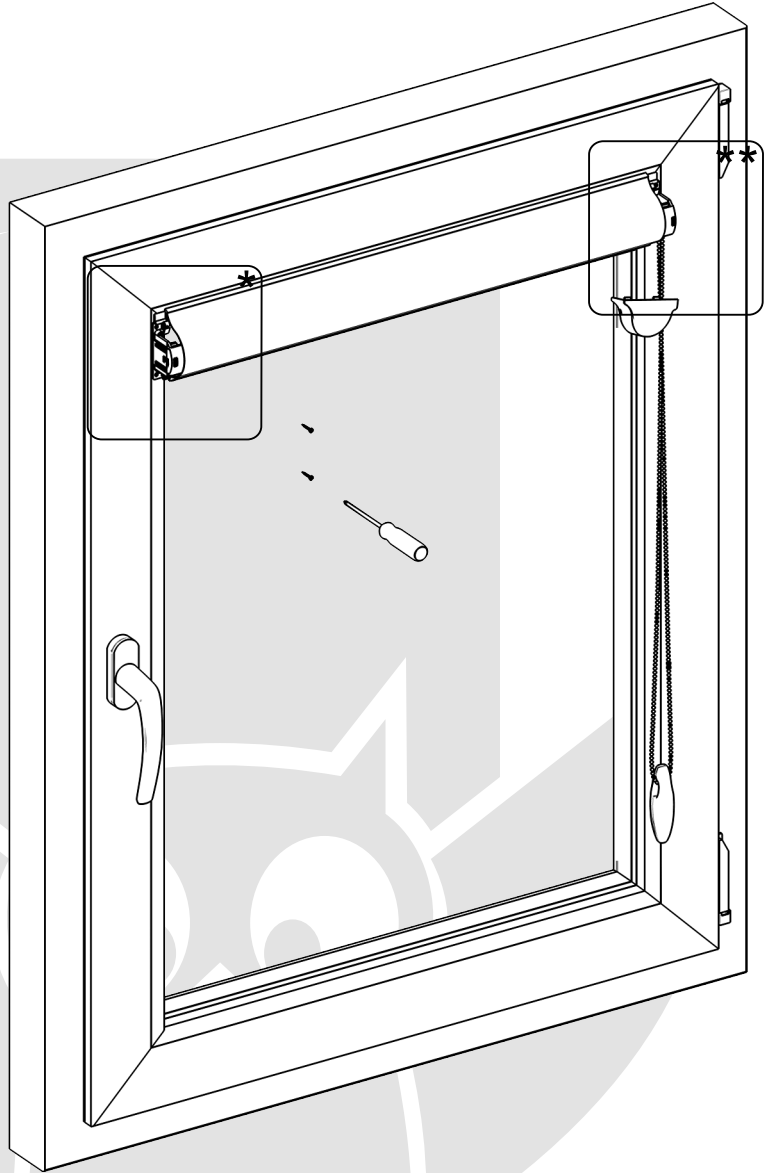
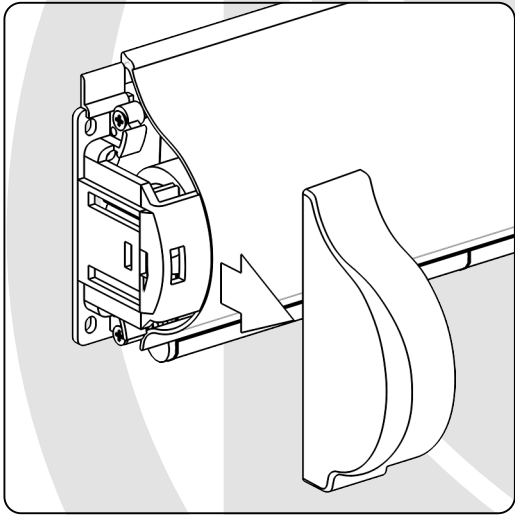
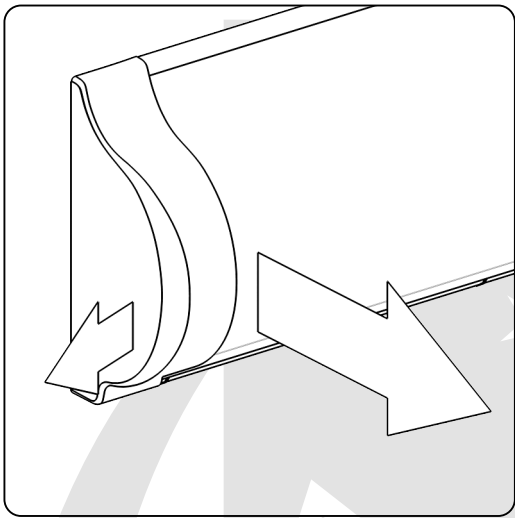


H - height from the bottom box surface to the lowest fabric position. Required for correct positioning of strips in closed position.

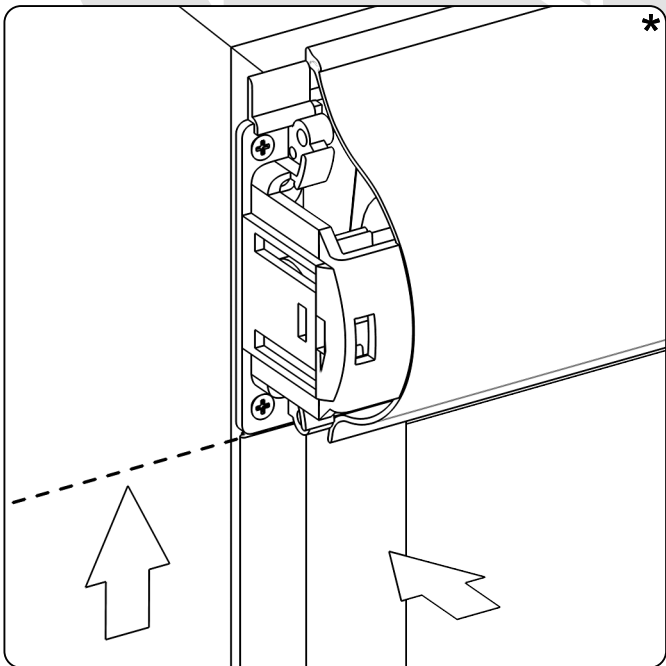
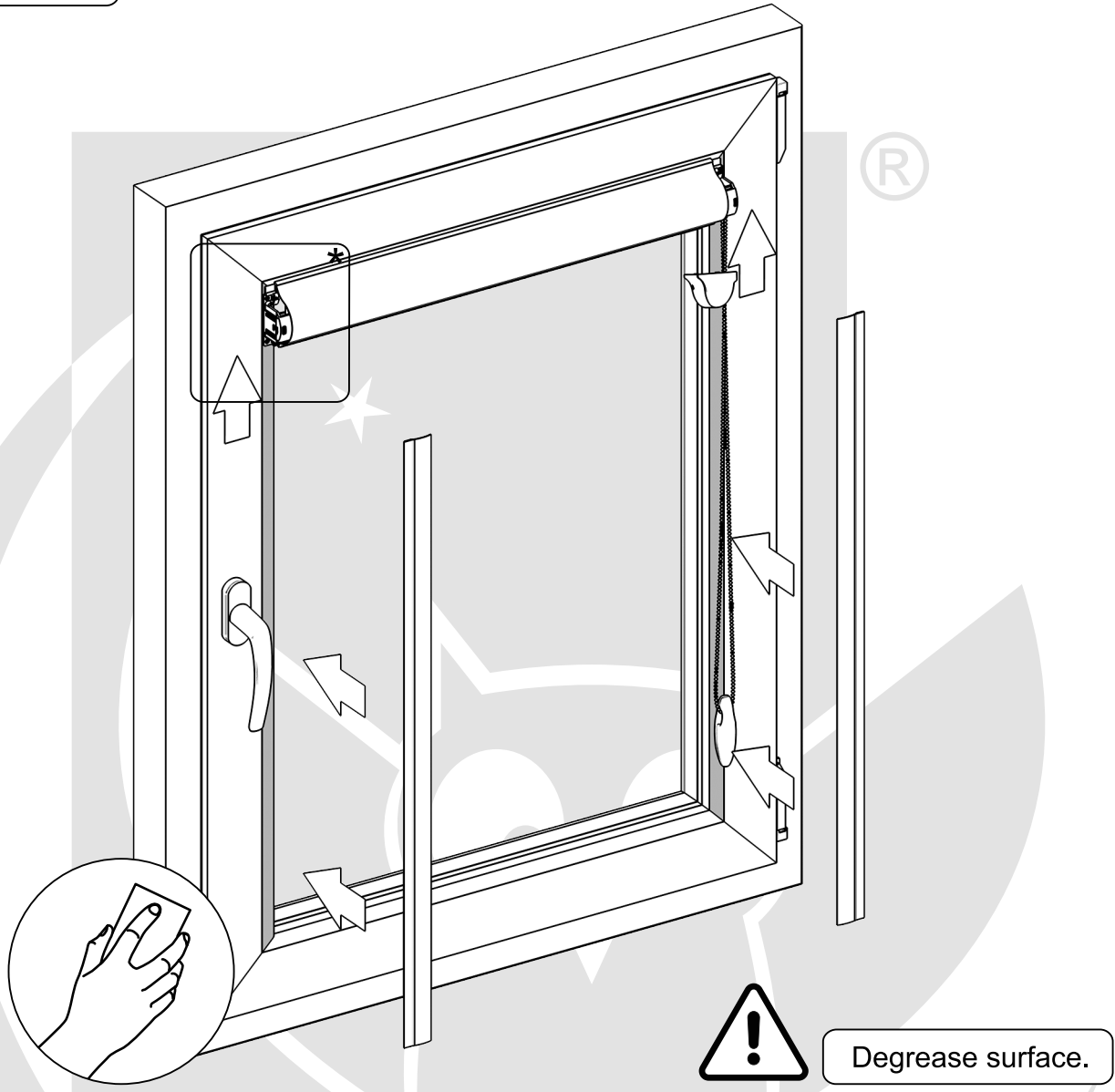


For windows with non-standard glass stops (e.g. rounded), attach the box with a side cover.

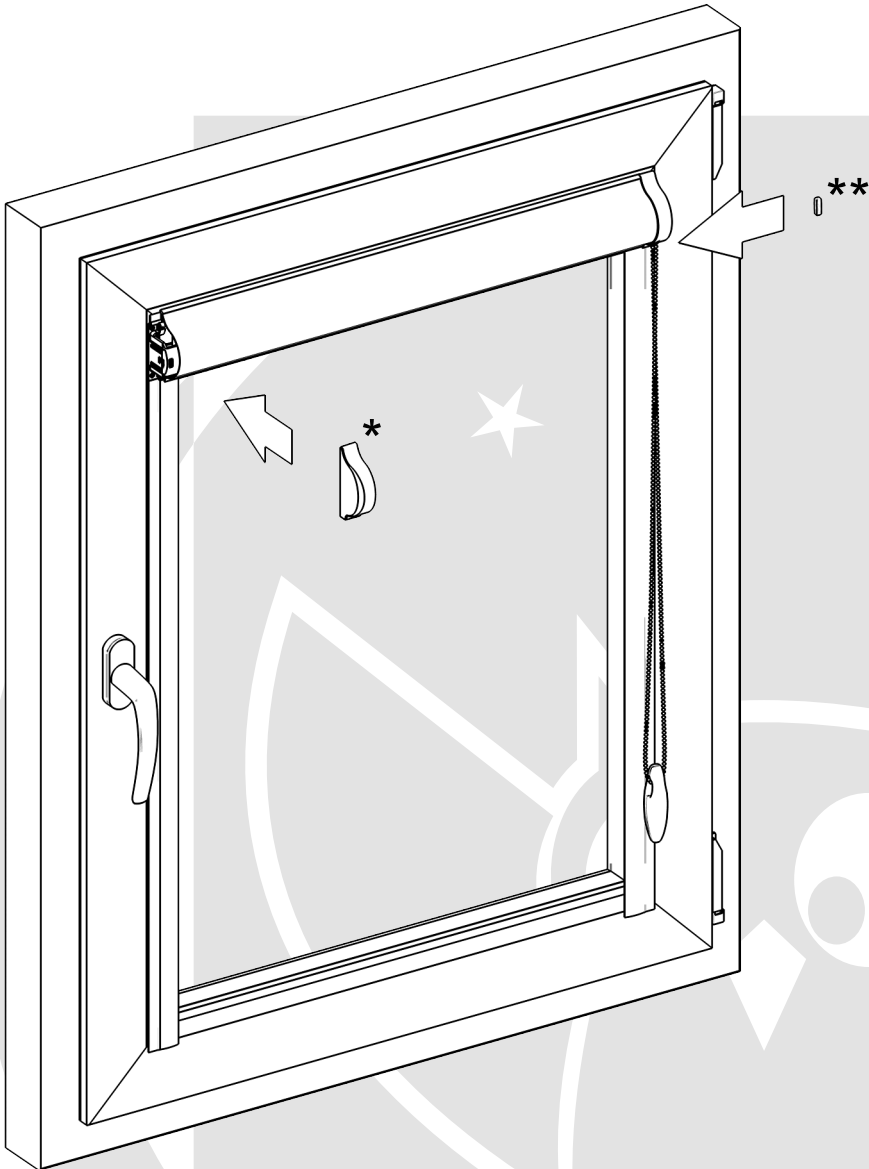
Installing roller blind.



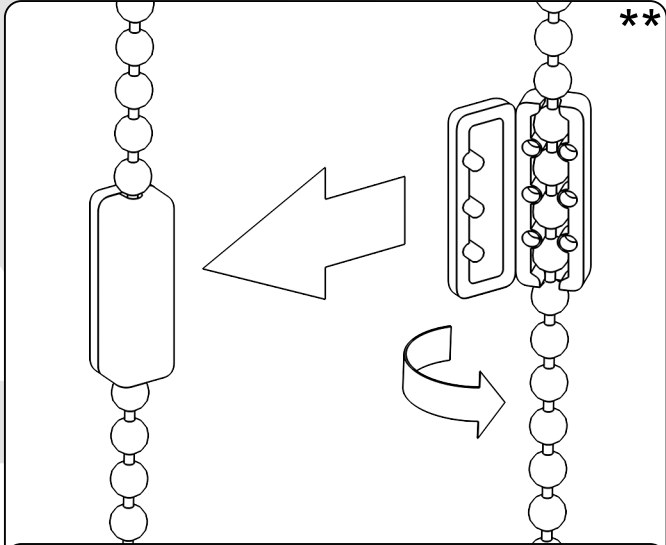
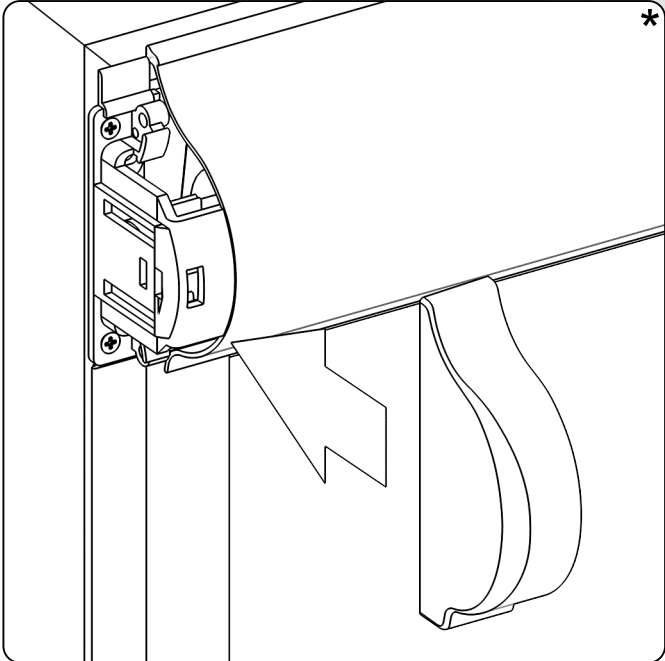
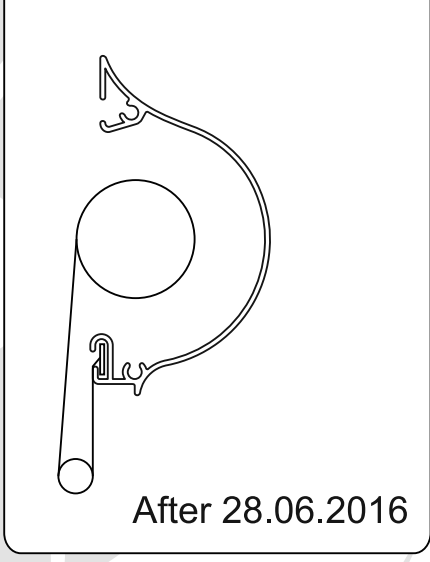
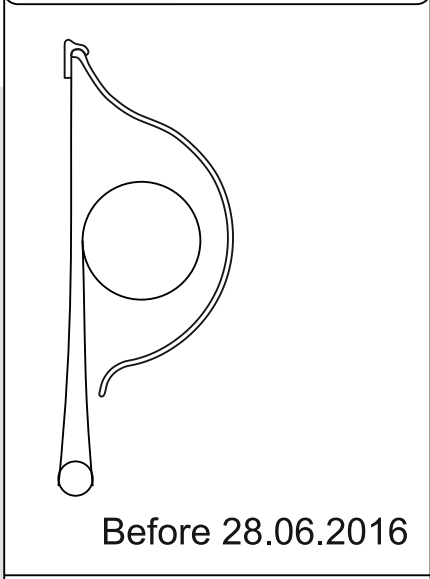
Installing tracks.



Installing covers and chain connectors.



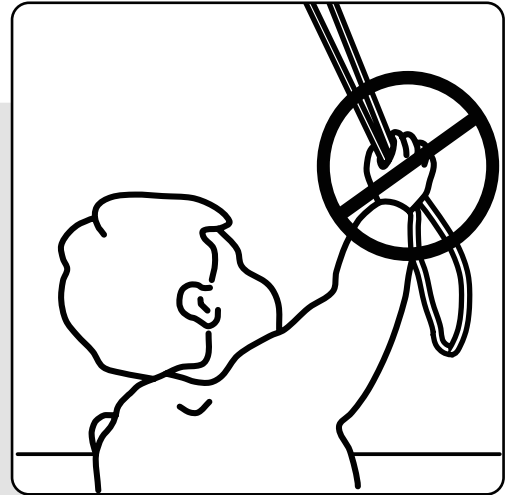
Check correct fabric positioning inside the box.



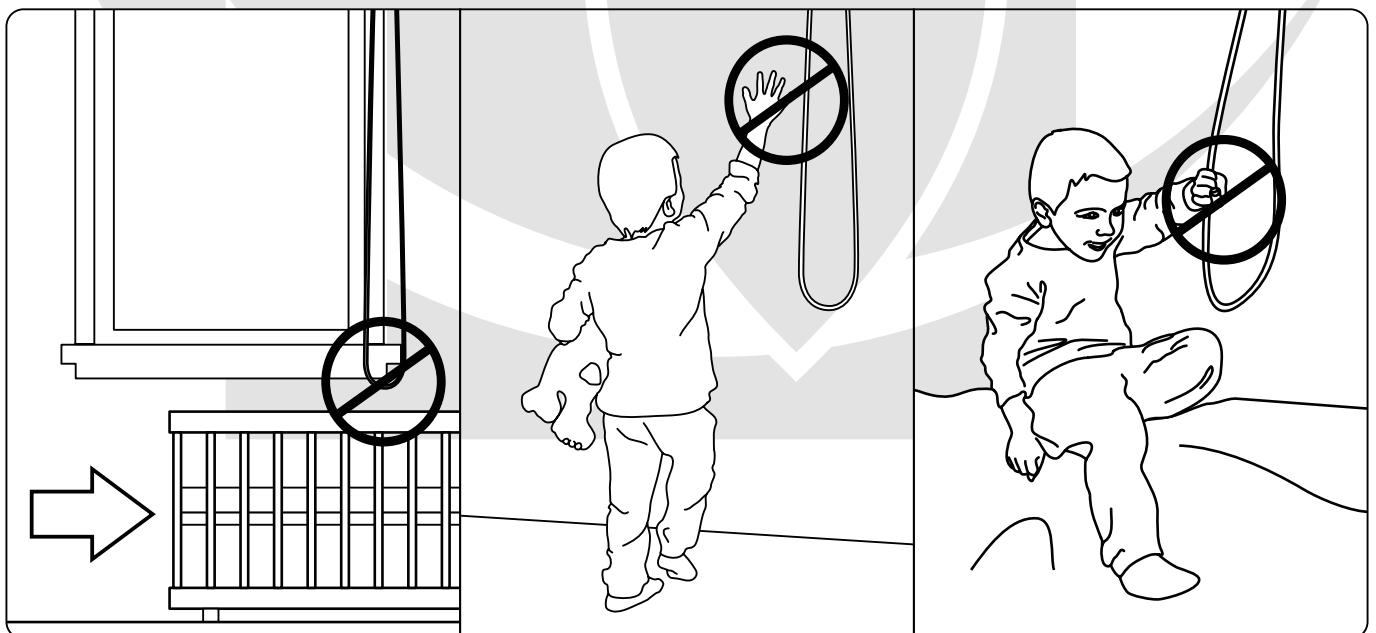
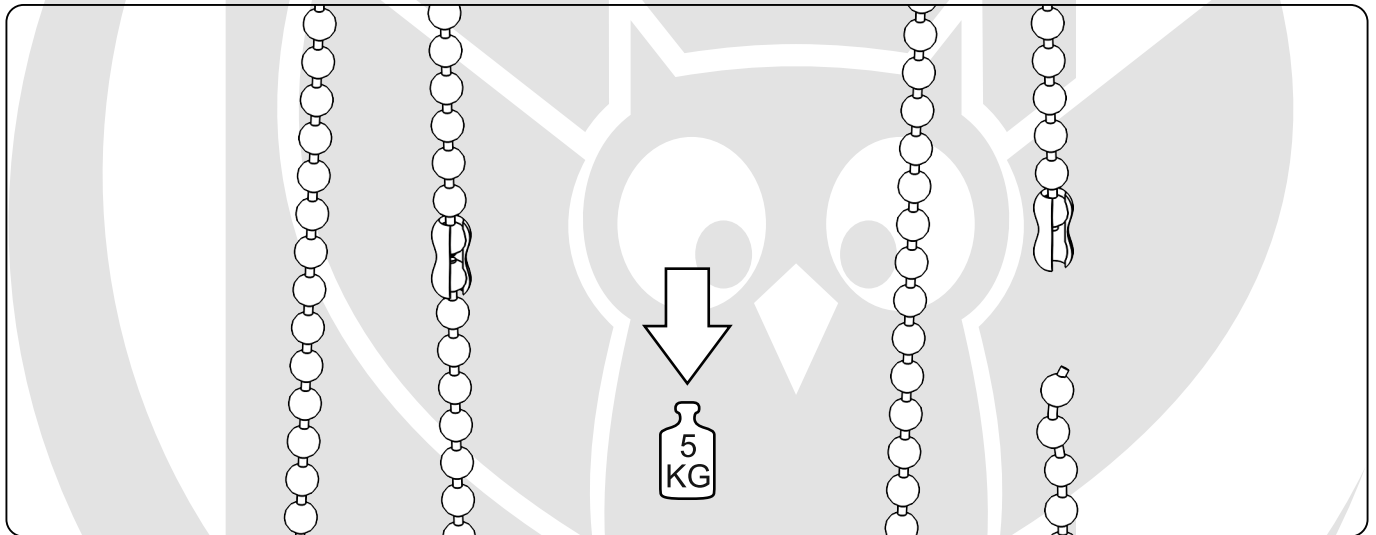
Set maximum top and bottom fabric position with the chain connectors.

WARNING!

Small children can be strangled in the loops of cords, chains or belts used to operate roller blinds. Children can also wrap cords around their necks. Cords must be kept out of reach of children to avoid entanglement and strangulation. Move beds, cots and furniture away from window covering cords and chains.



To prevent accidental strangulation, all roller blinds are fitted with a chain-break connector as per **EN 13120:2009+A1:2014**.





Fart Produkt Sp. z o. o. Sp. k.
ul. Towarowa 3, 87-100 Toruń
tel. +48 56 623 55 77
e-mail: export@fartprodukt.pl
www.fartprodukt.pl