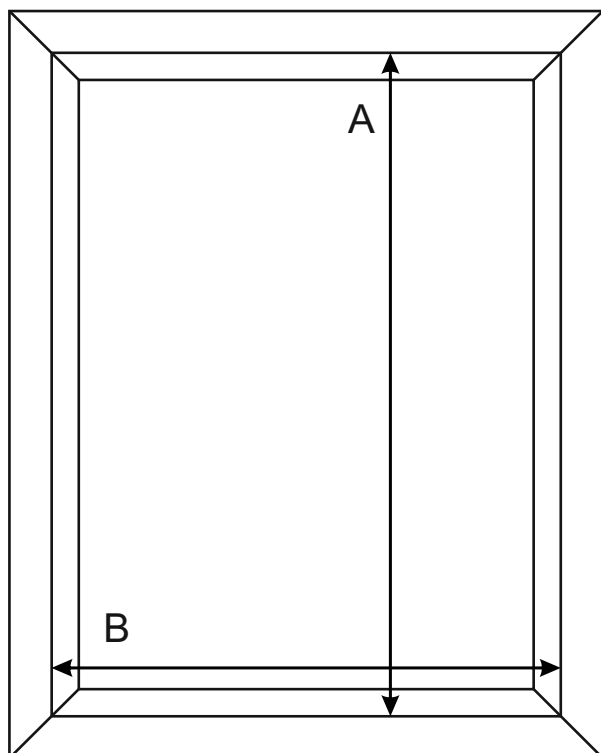




Installation instructions

Window insect screens – profile for aluminum windows.

Window measurement.

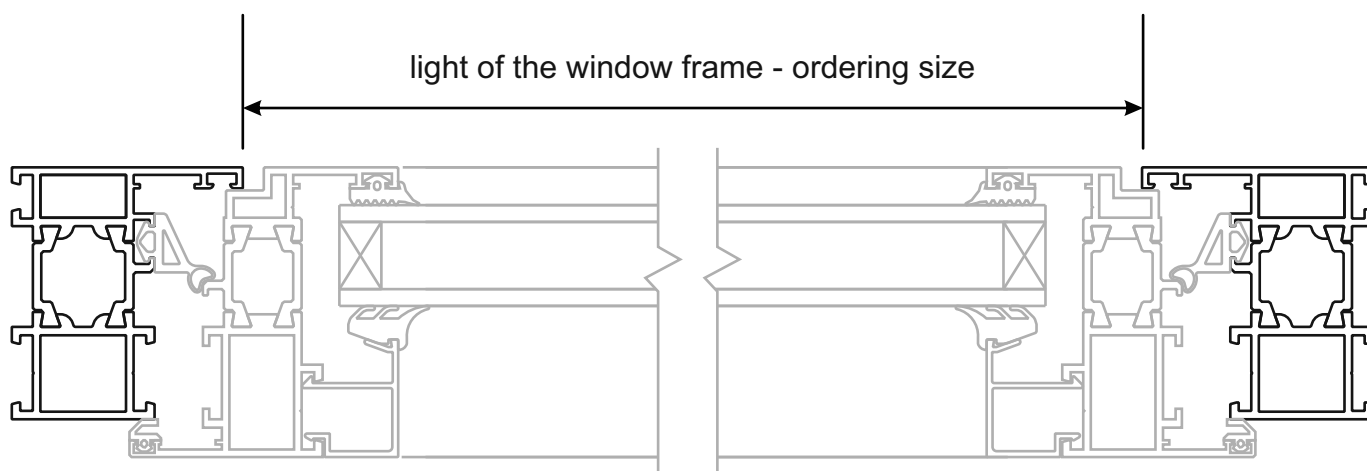


During the measurement, the light of the window frame after opening the sash should be measured:

- A** – window frame opening height.
- B** – window frame opening width.

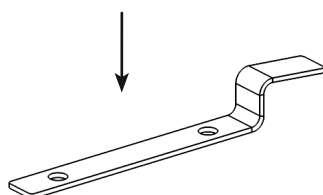
Maximum dimensions of insect screen:

- 1500 x 1500 mm without crossbar.
- 1500 x 2500 mm with crossbar.

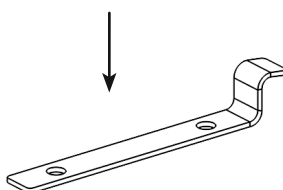


The insect screen is mounted on the window frame with the following rotary holders:

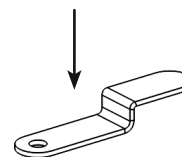
upper
holder



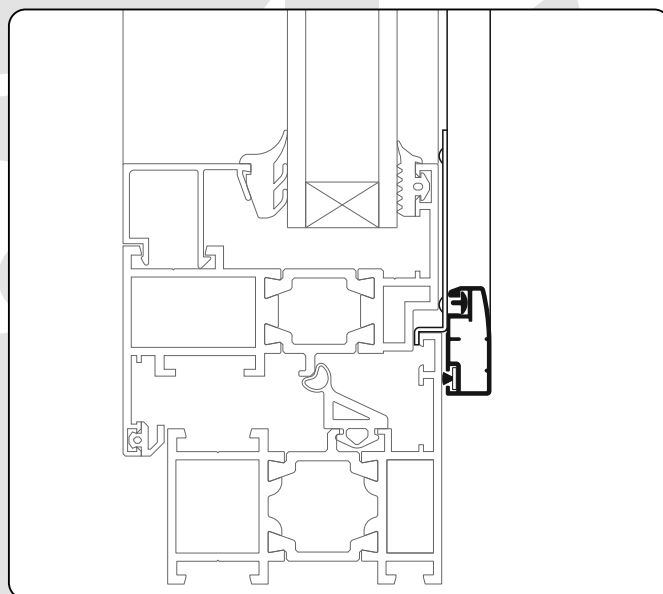
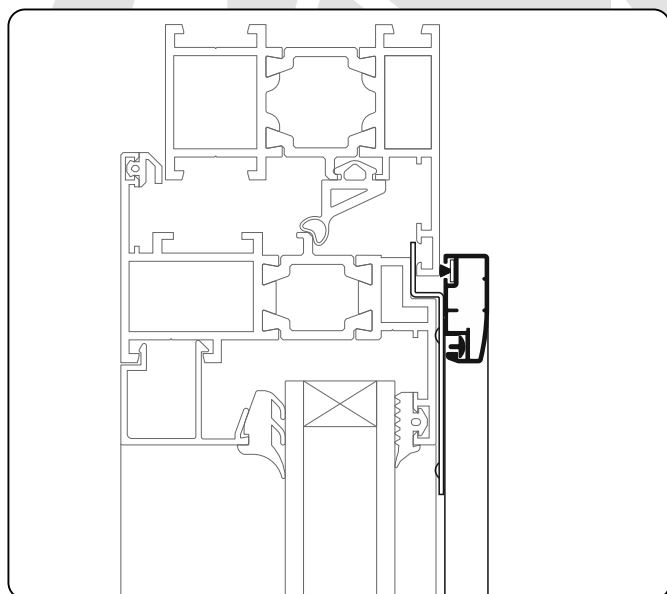
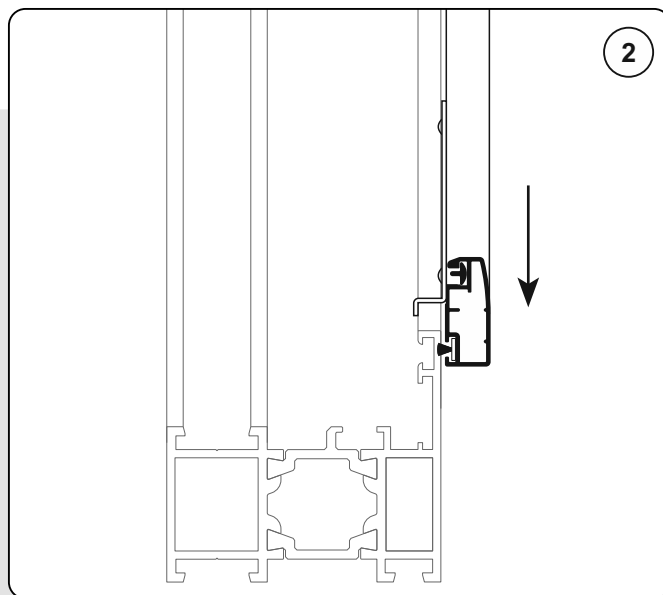
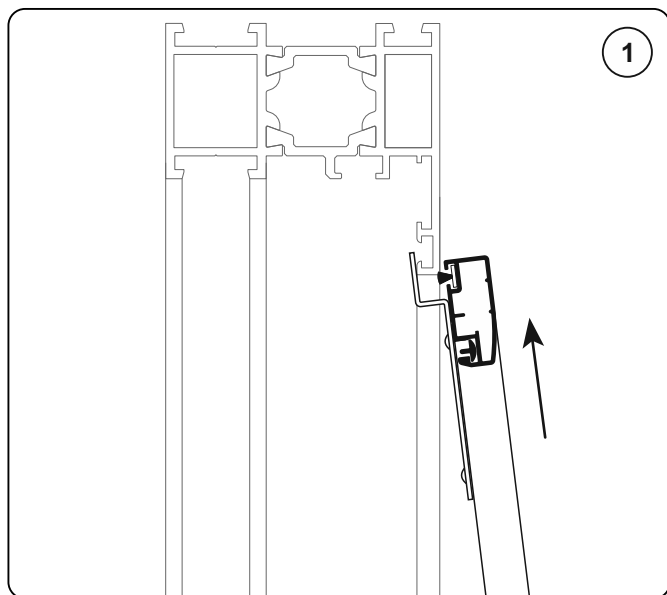
bottom
holder



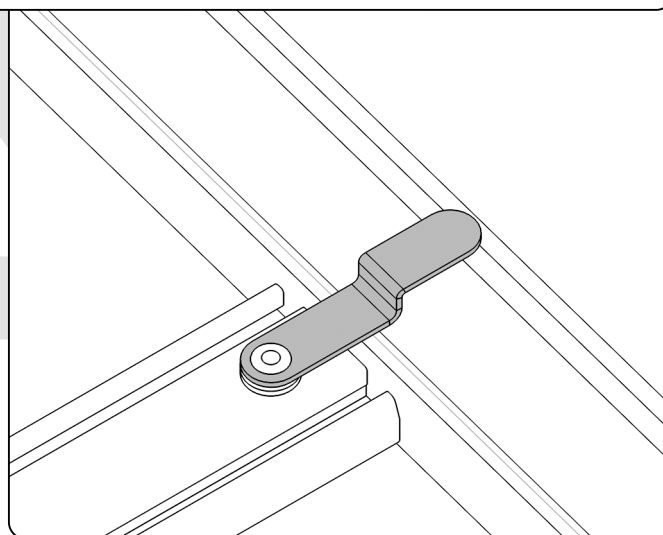
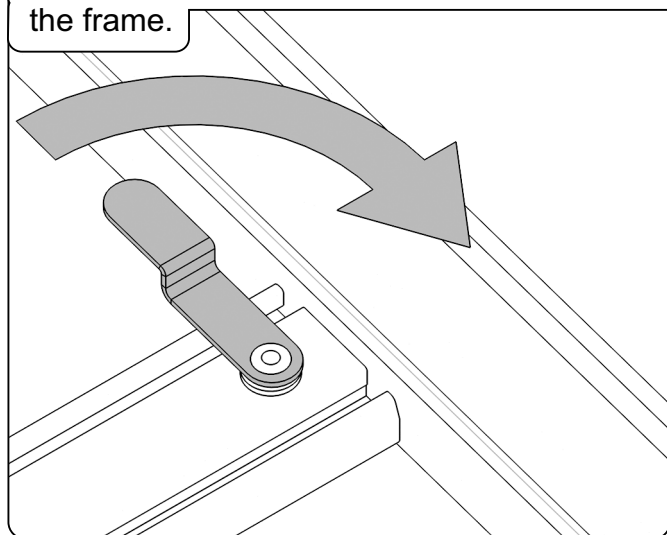
middle rotary holder (mounted on the crossbar, in mosquito nets higher than 1500 mm)



Installation of insect screen on the window frame.



In the case of insect screen with a middle rotary holder, it needs to be turned and hooked on the frame.





Fart Produkt Sp. z o. o. Sp. k.
ul. Towarowa 3, 87-100 Toruń
tel. +48 56 623 55 77
e-mail: export@fartprodukt.pl
www.fartprodukt.pl