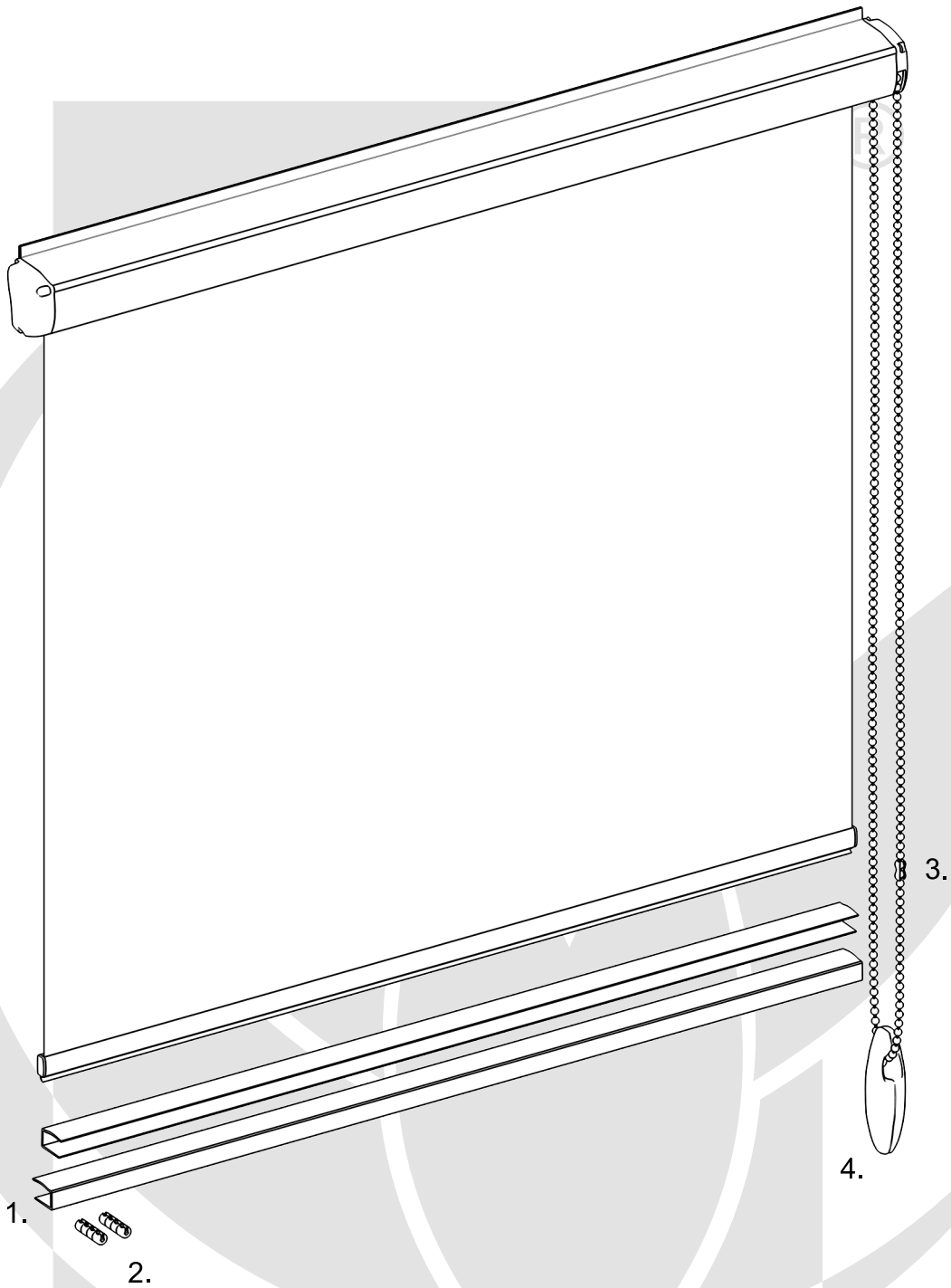




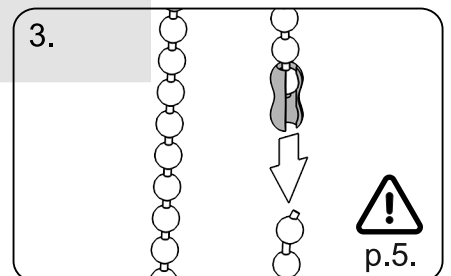
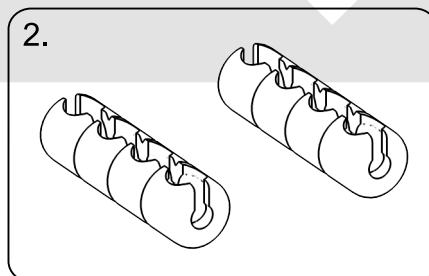
Installation instructions

Capri mini fabric roller blind

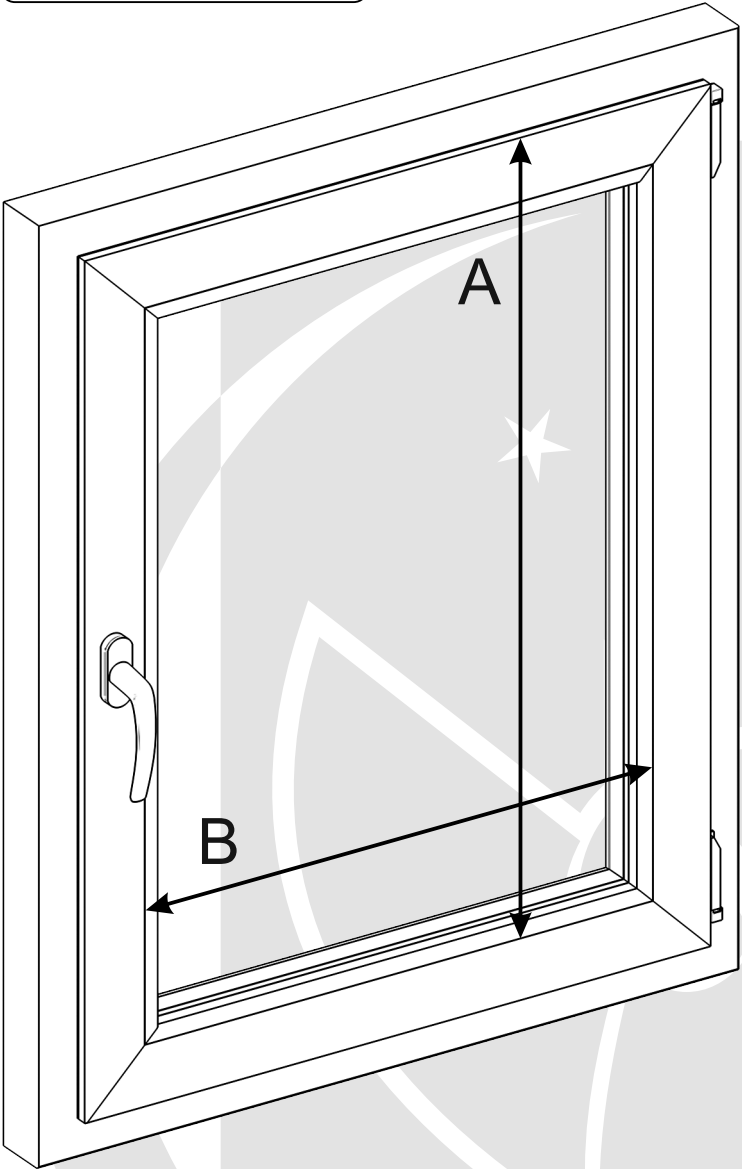
Packaging content:



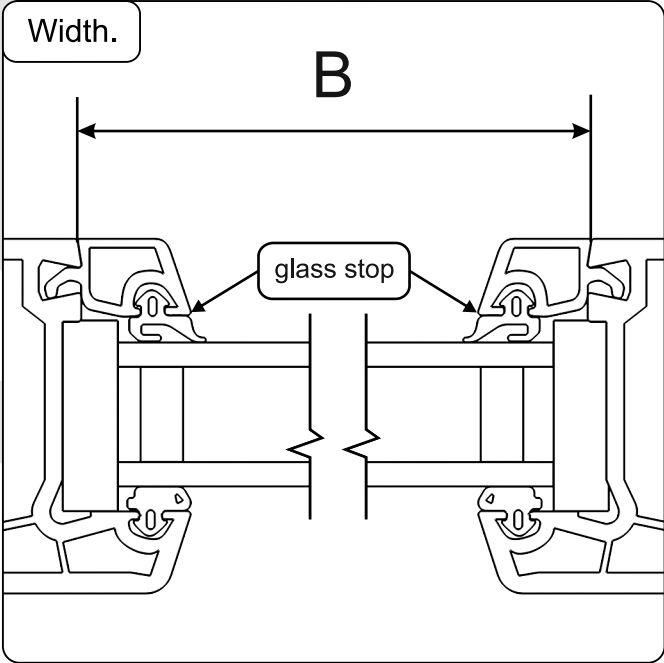
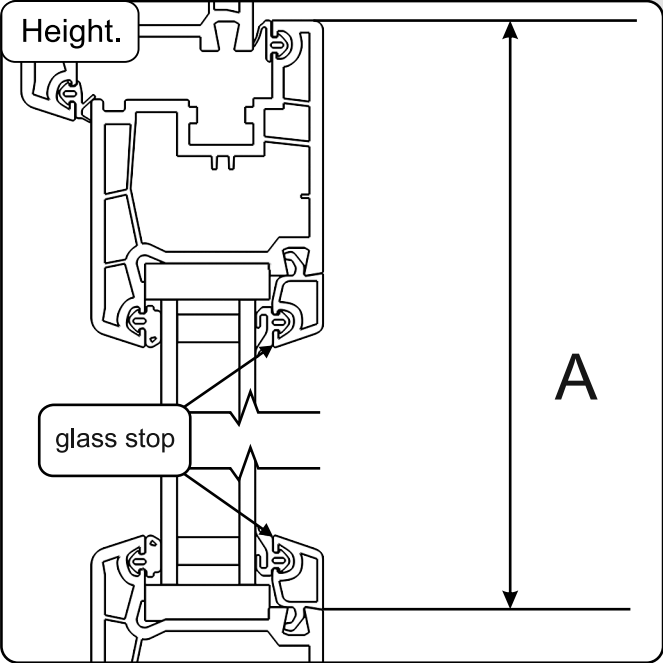
- 1. Side tracks.
- 2. Chain connectors.
- 3. Chain-break connector.
- 4. Chain weight.



Window measurement.

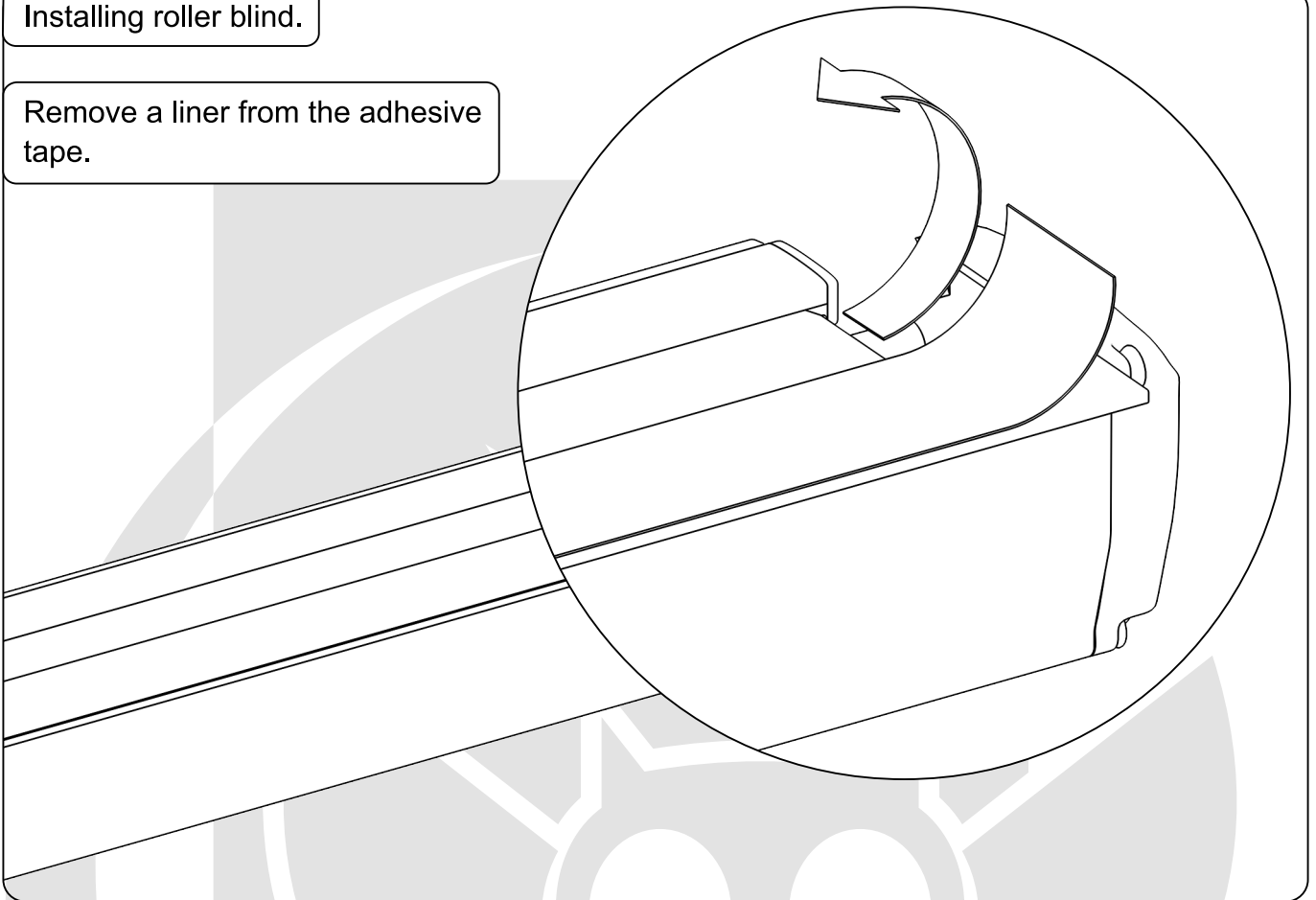


A - measured height.
B - measured width.

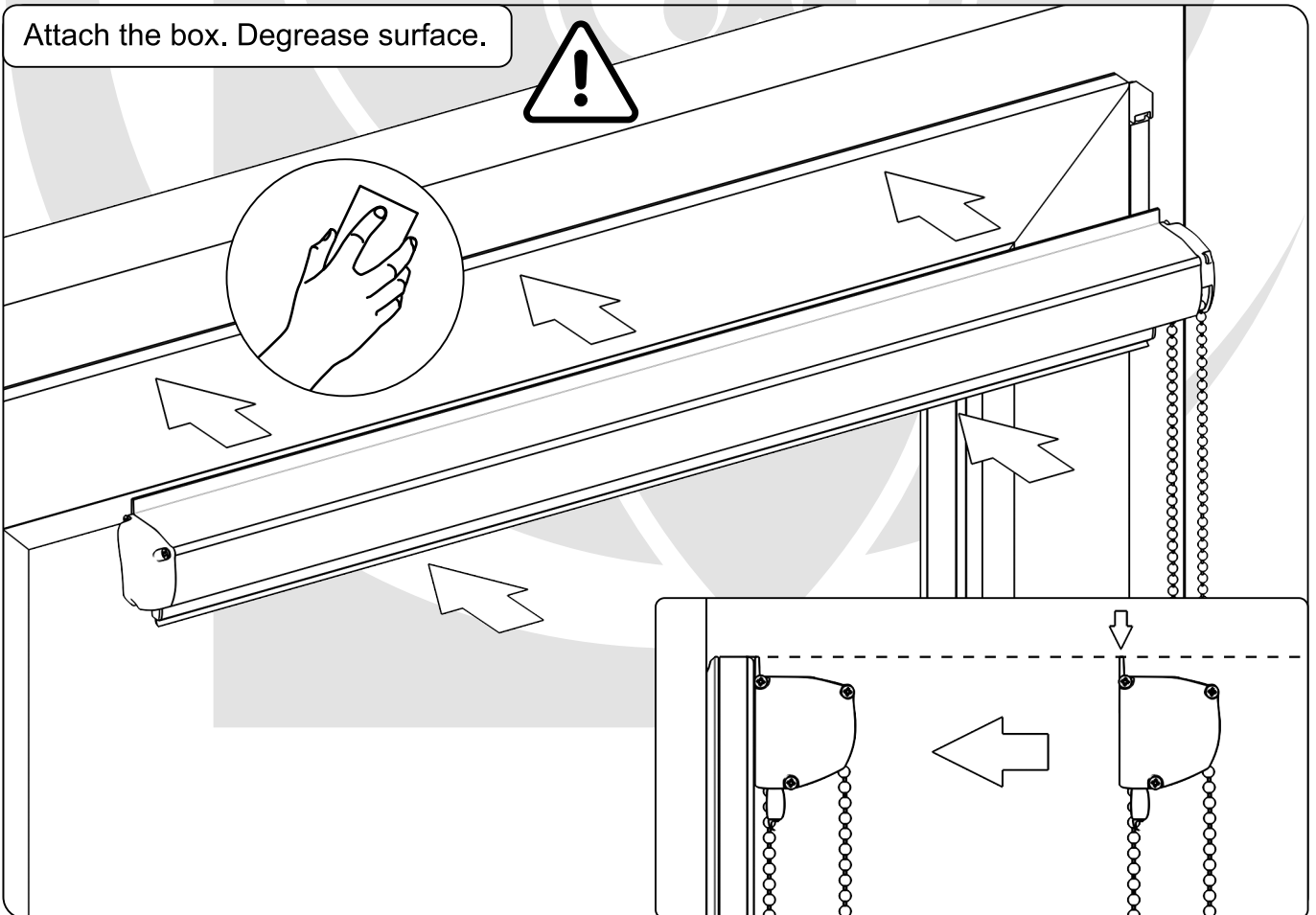


Installing roller blind.

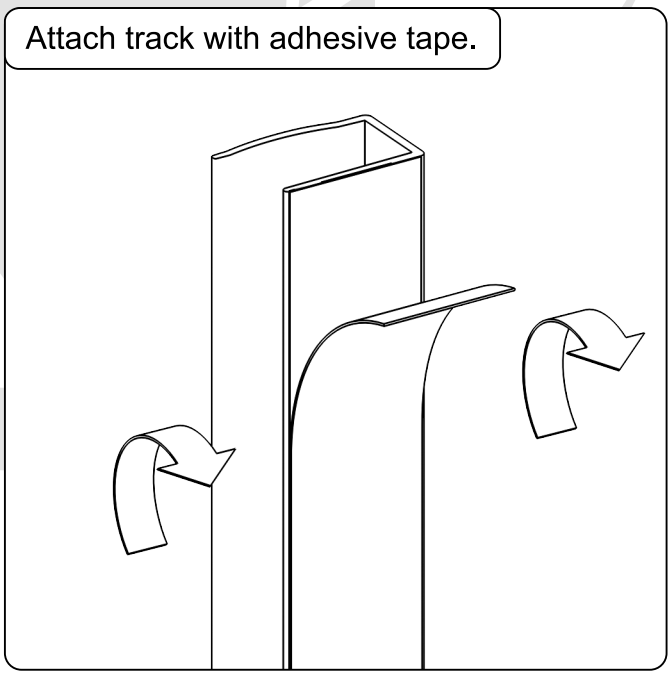
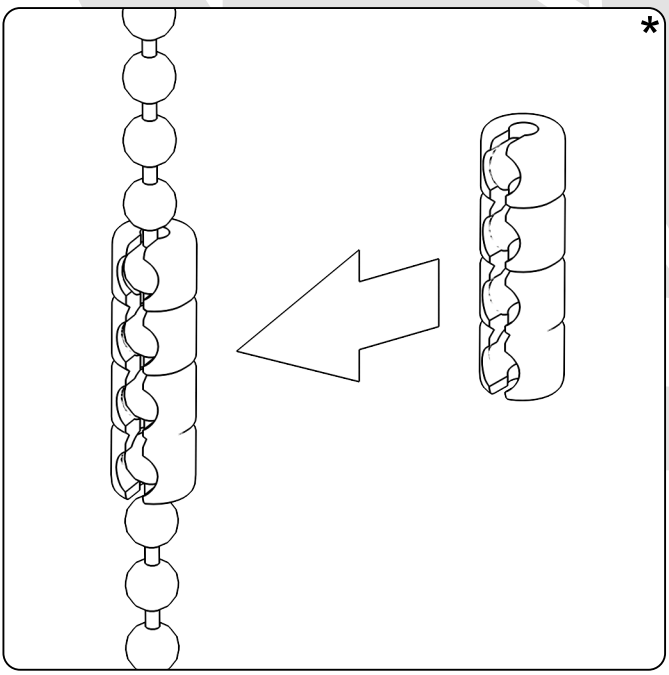
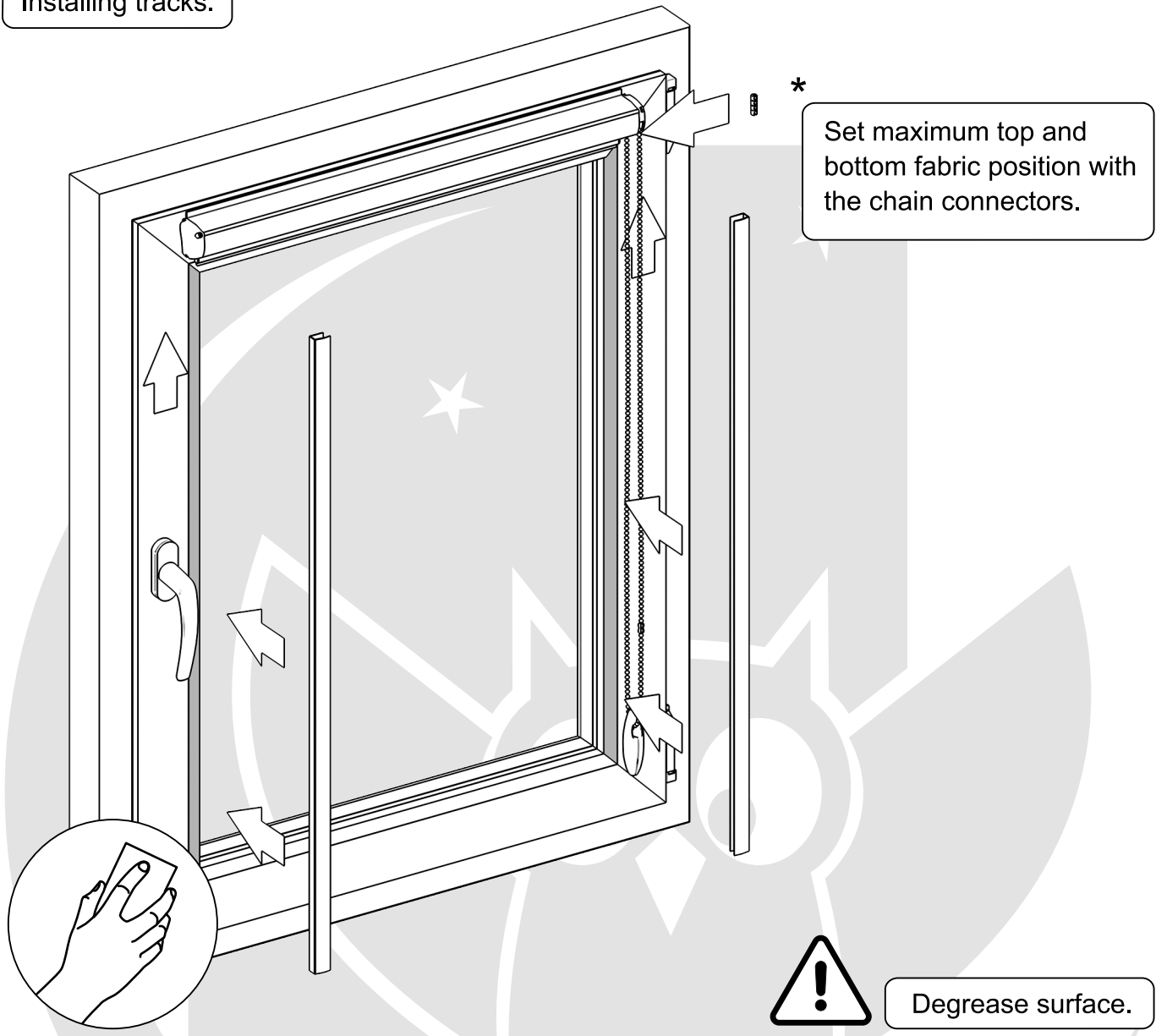
Remove a liner from the adhesive tape.



Attach the box. Degrease surface.

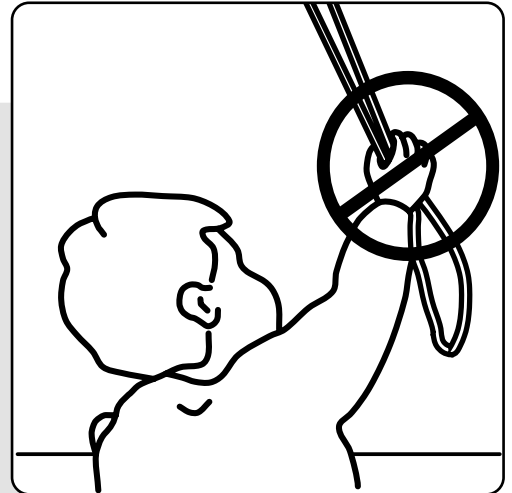


Installing tracks.

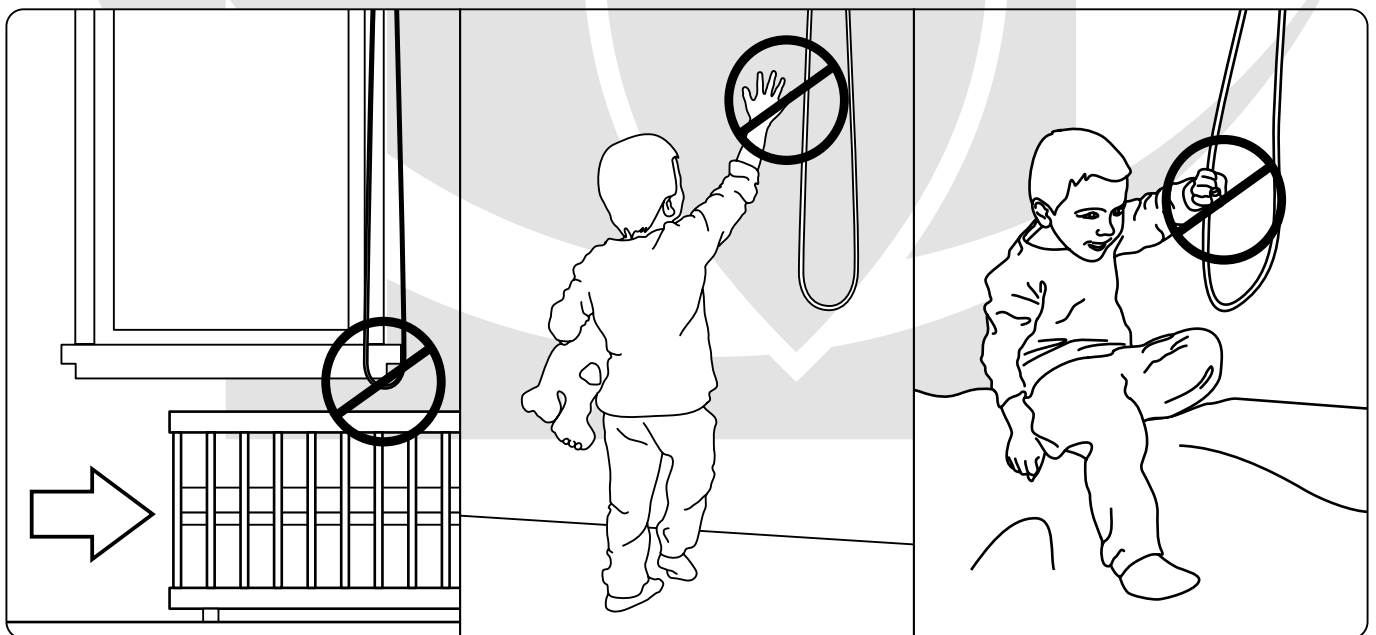
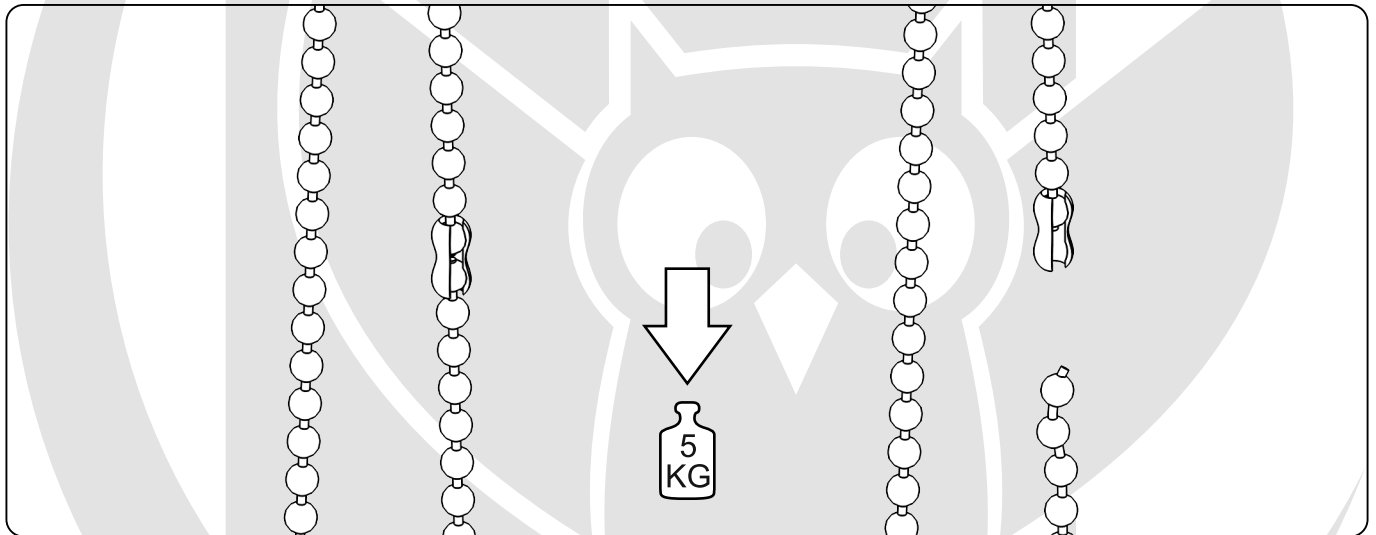


WARNING!

Small children can be strangled in the loops of cords, chains or belts used to operate roller blinds. Children can also wrap cords around their necks. Cords must be kept out of reach of children to avoid entanglement and strangulation. Move beds, cots and furniture away from window covering cords and chains.



To prevent accidental strangulation, all roller blinds are fitted with a chain-break connector as per **EN 13120:2009+A1:2014**.





Fart Produkt Sp. z o. o. Sp. k.
ul. Towarowa 3, 87-100 Toruń
tel. +48 56 623 55 77
e-mail: export@fartprodukt.pl
www.fartprodukt.pl