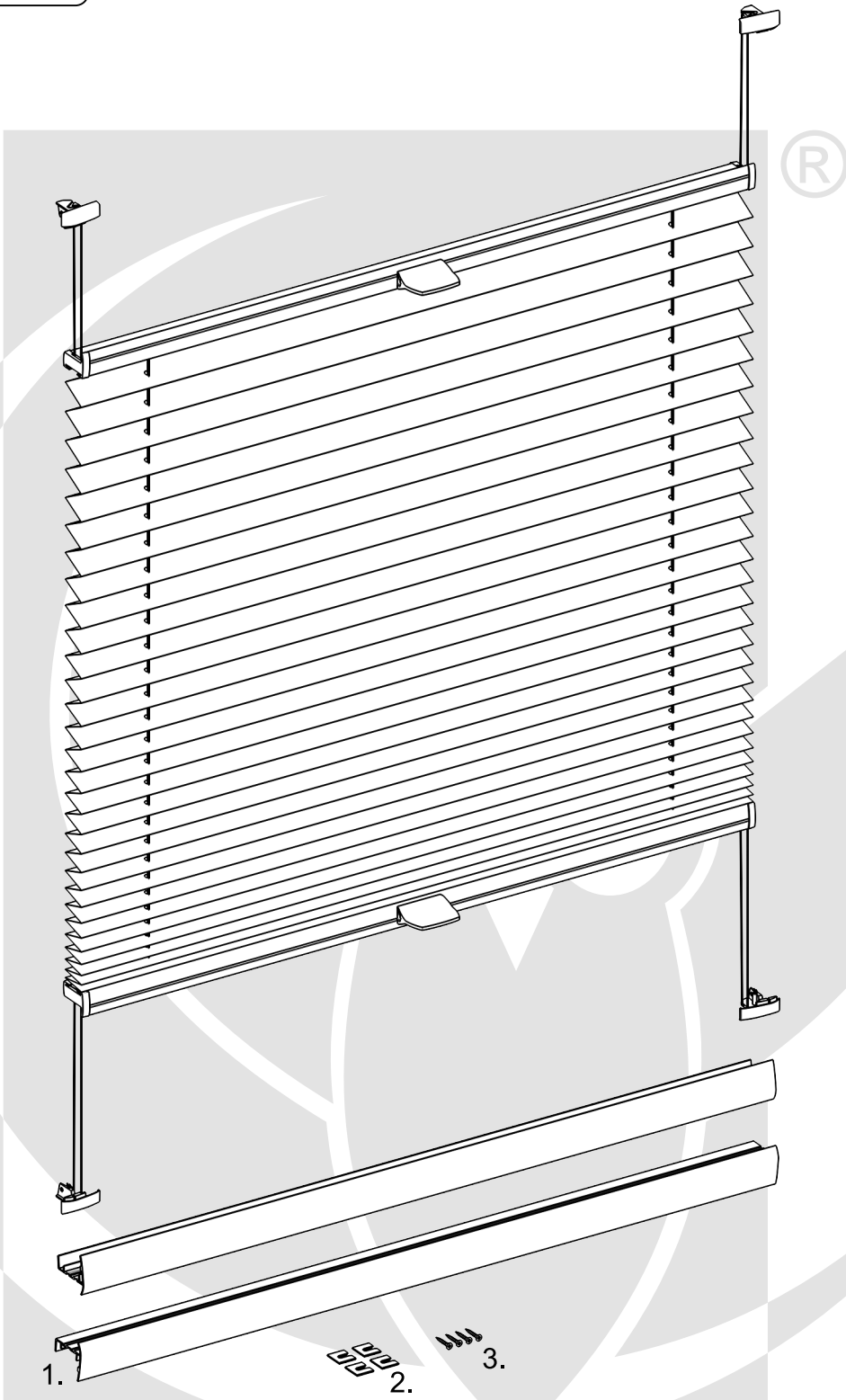




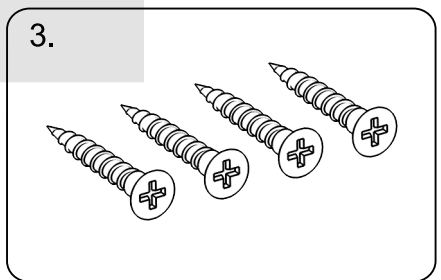
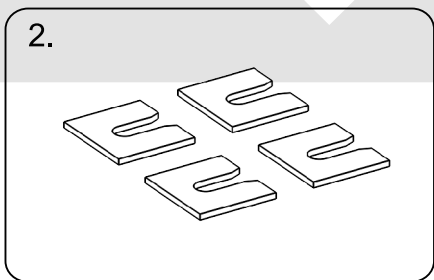
Installation instructions

20 mm pleated blinds for roof windows

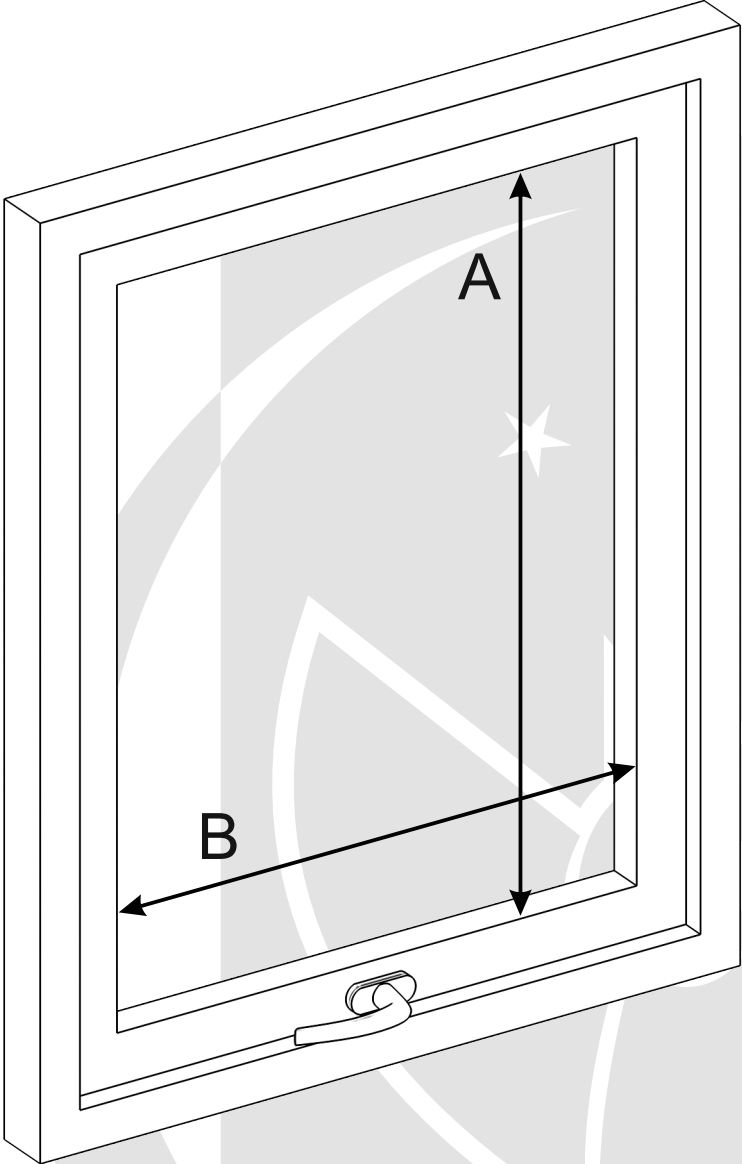
Packaging content:



- 1. Side tracks.
- 2. Track pads.
- 3. Screws.

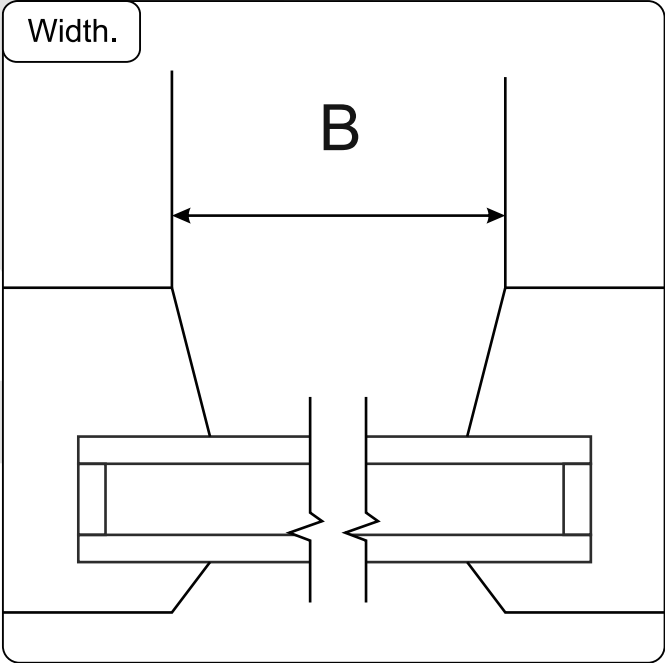
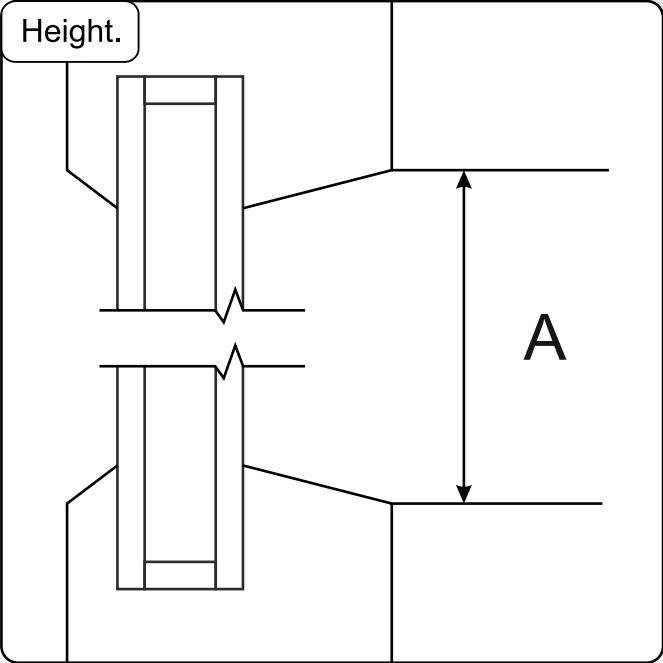


Window measurement.

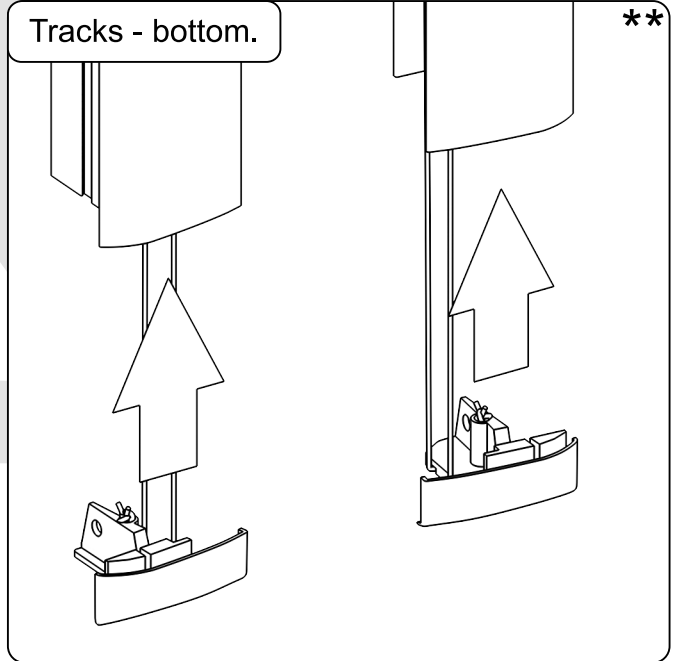
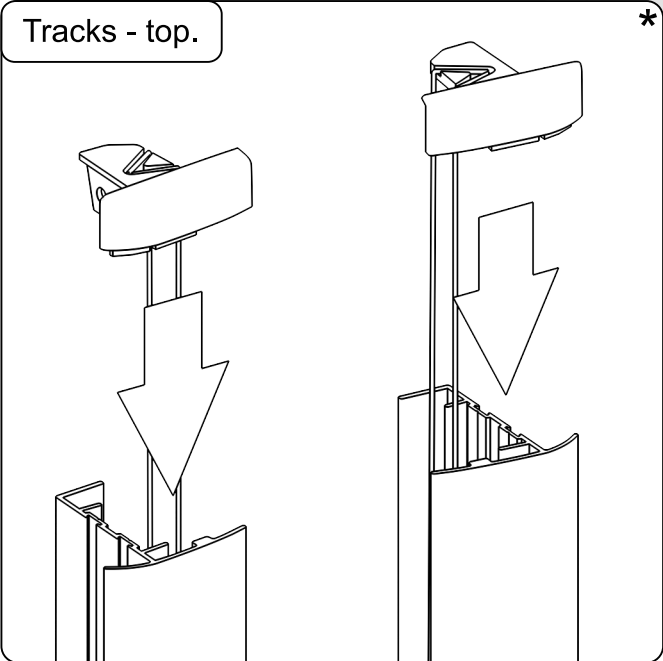
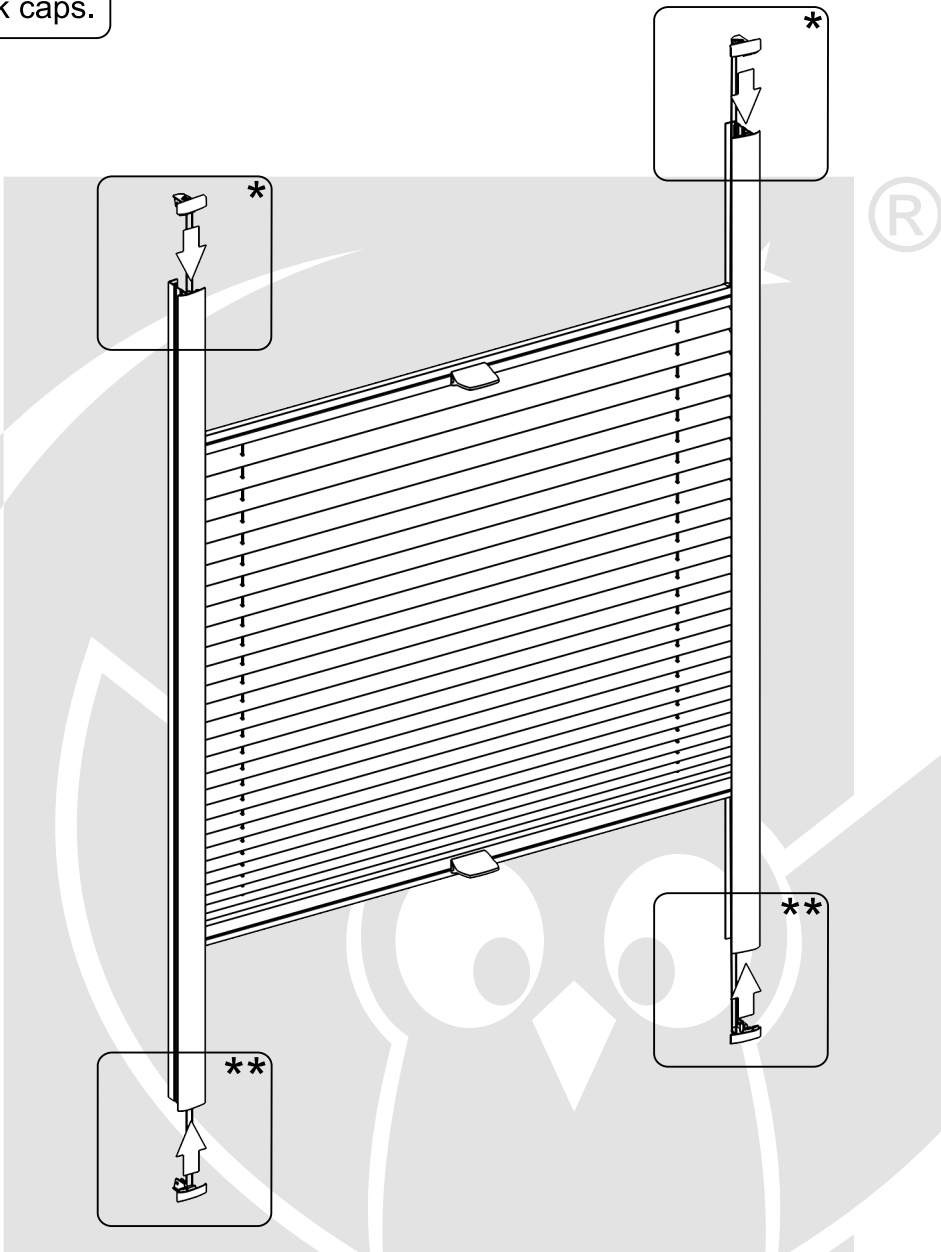


A - measured height
B - measured width

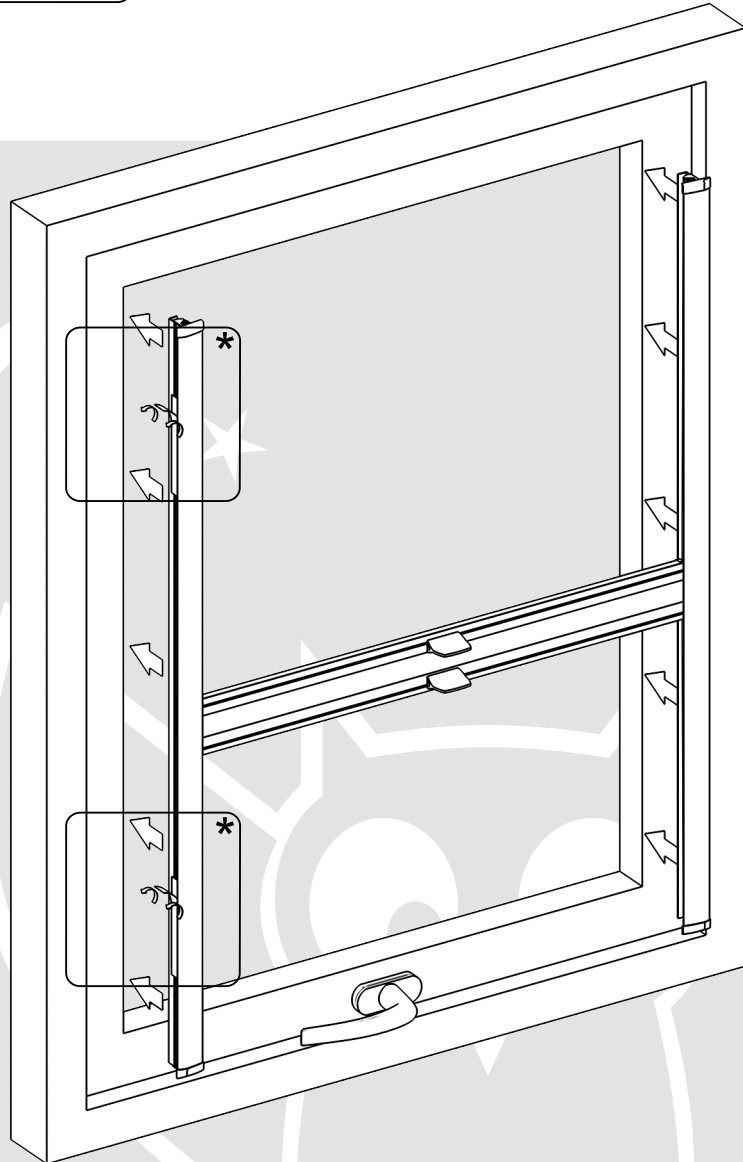
Please specify window manufacturer and symbol when ordering.



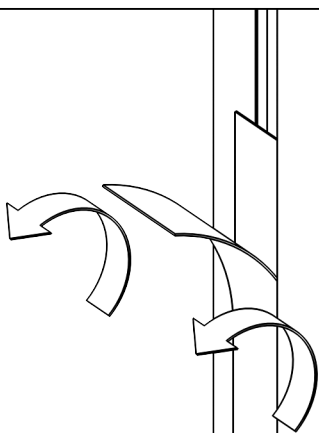
Installing track caps.



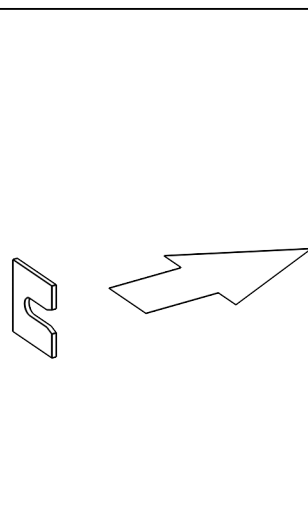
Attaching tracks to window.



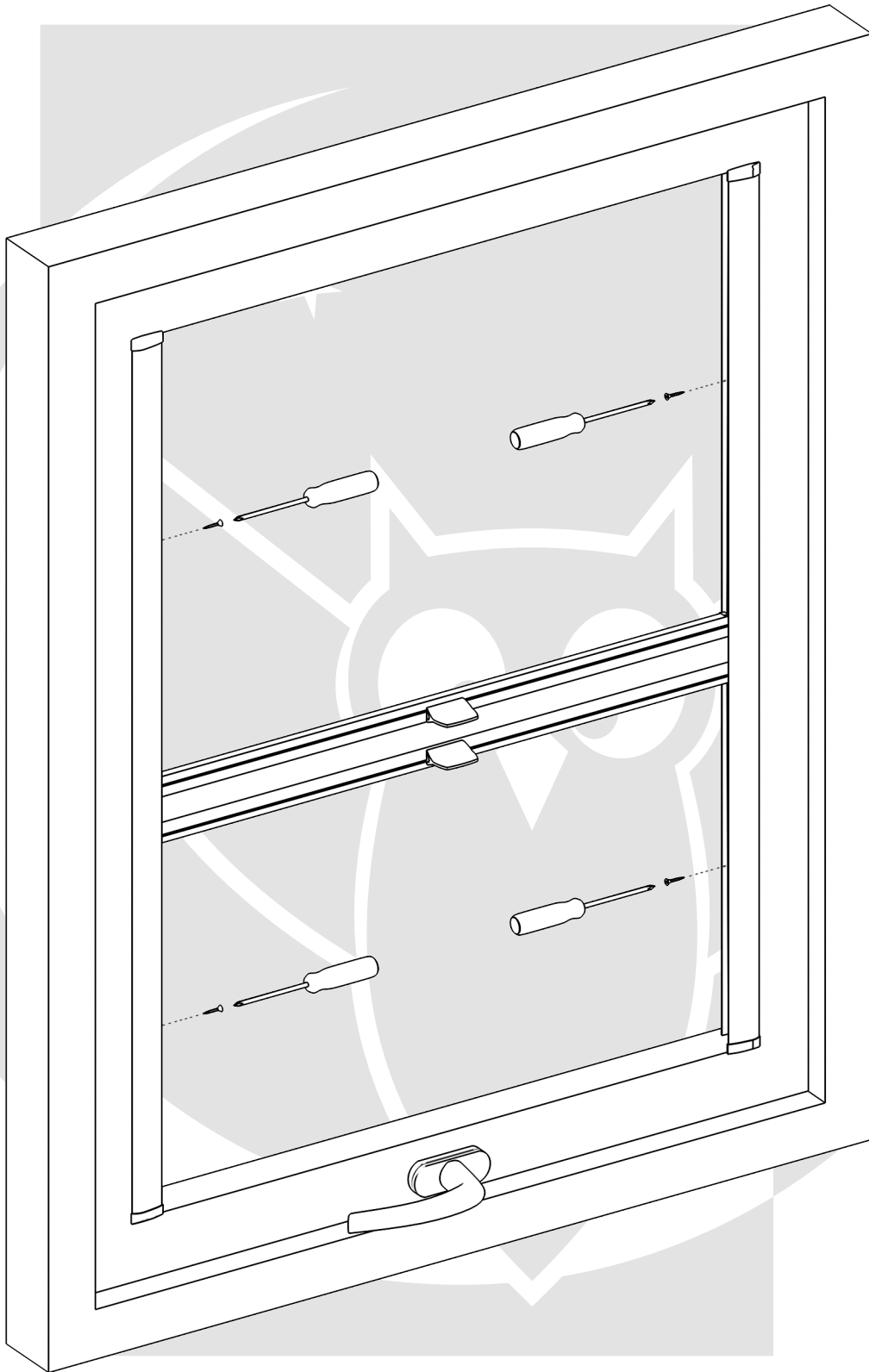
Attach tracks with adhesive tape.*



Attach pads to the adhesive tape.



Fasten attached tracks with screws.





Fart Produkt Sp. z o. o. Sp. k.
ul. Towarowa 3, 87-100 Toruń
tel. +48 56 623 55 77
e-mail: export@fartprodukt.pl
www.fartprodukt.pl