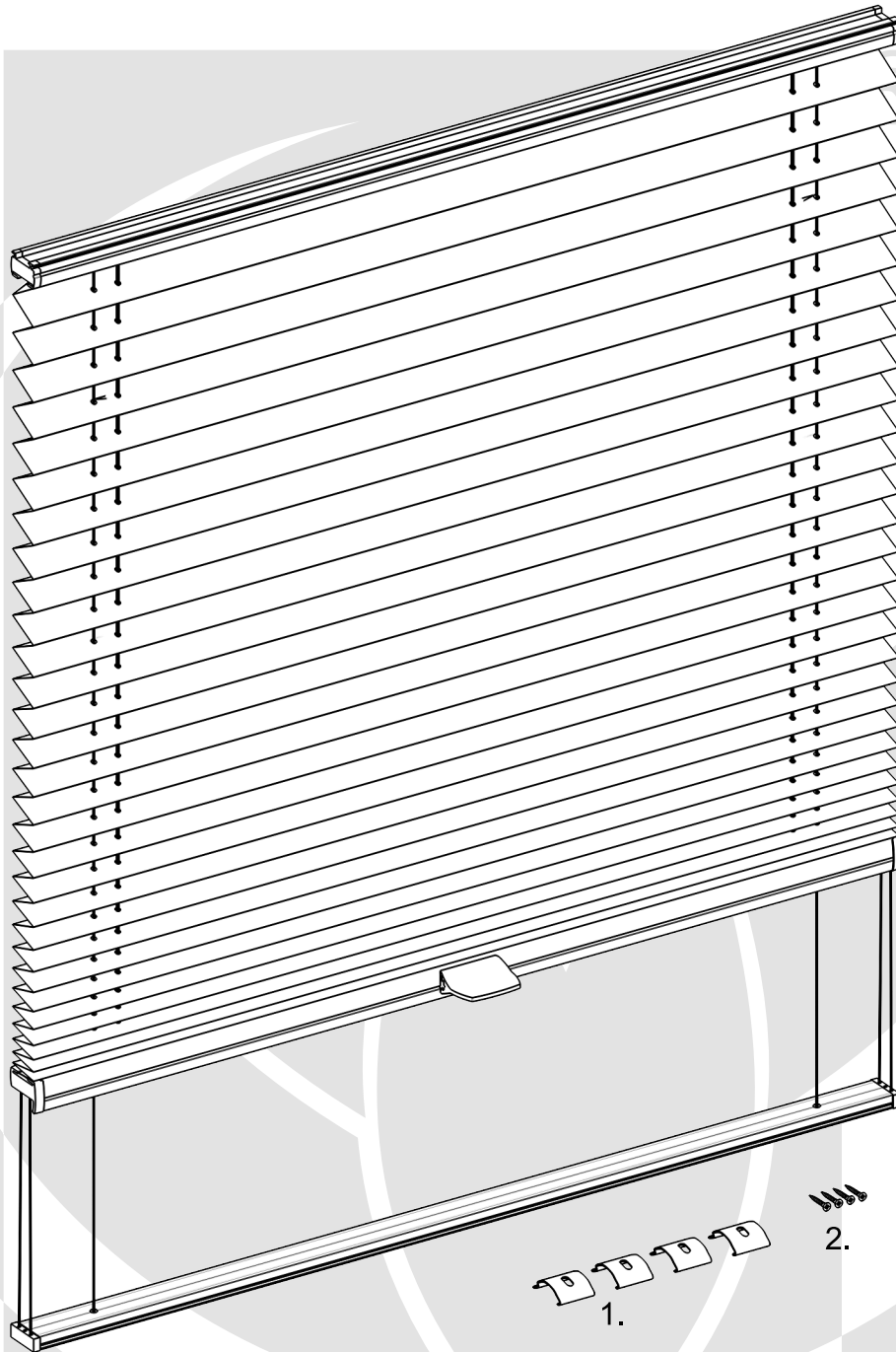




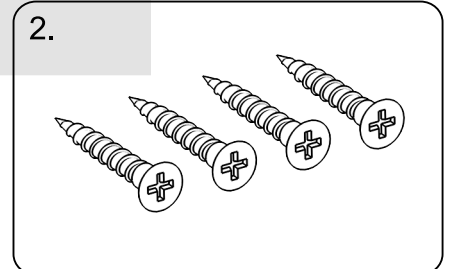
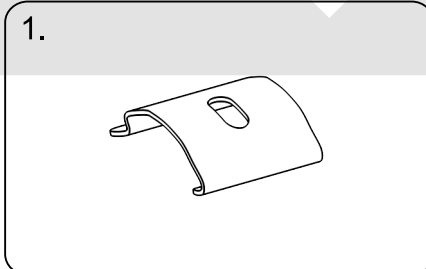
Installation instructions

20 mm pleated blinds for roof windows – Variant 3

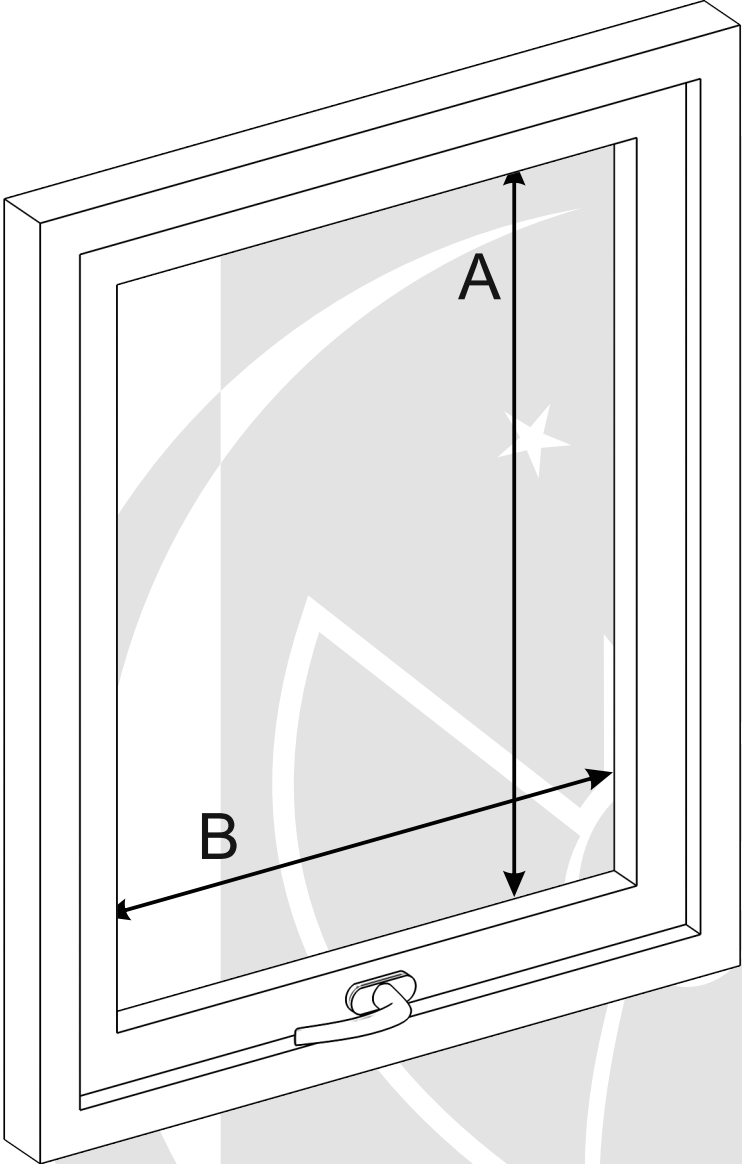
Packaging content:



- 1. Type A mount bracket.
- 2. Screws.

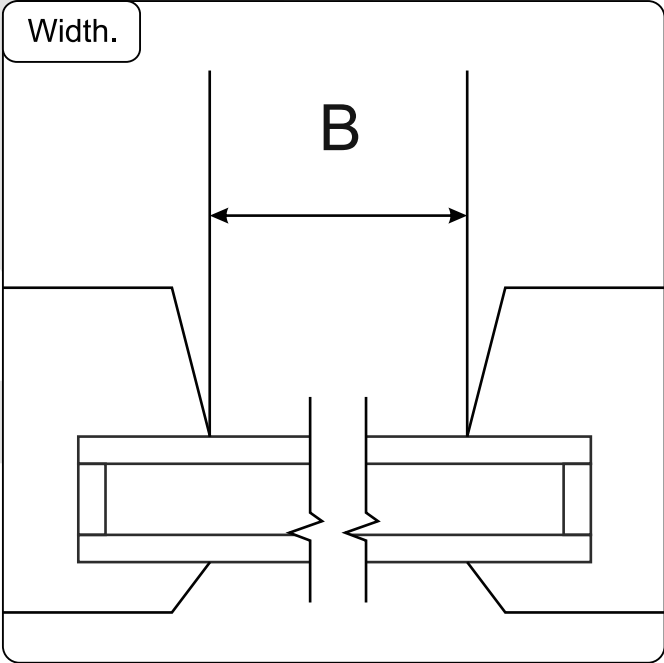
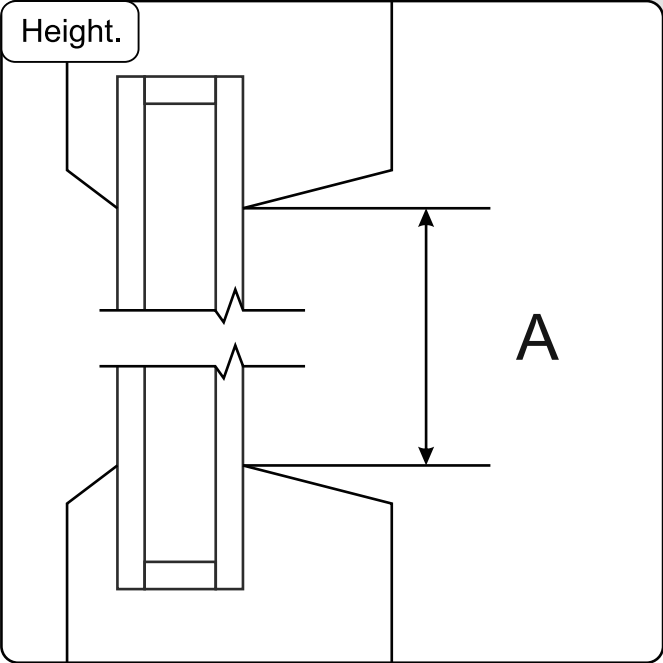


Window measurement.

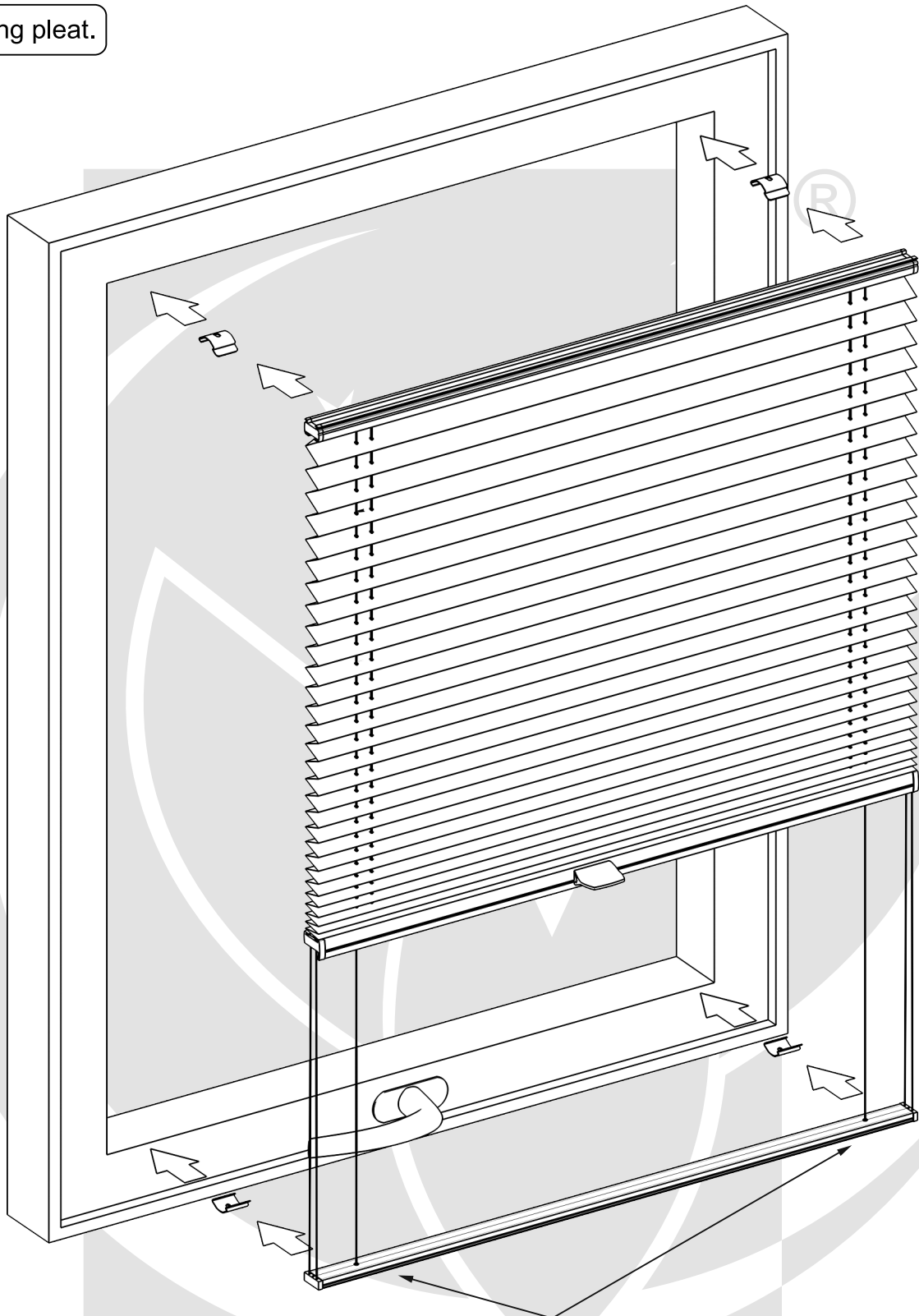


A - measured height
B - measured width

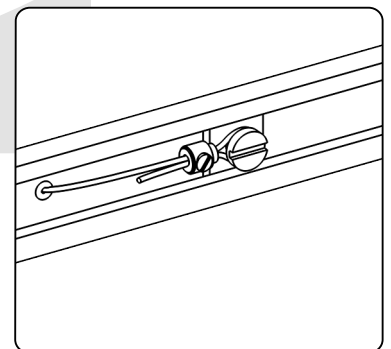
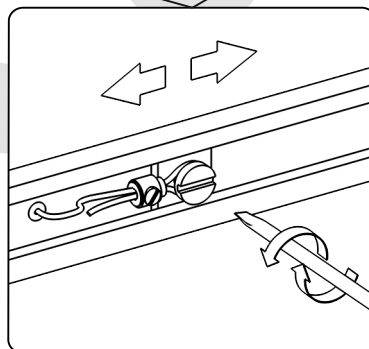
Please specify window manufacturer and symbol when ordering.



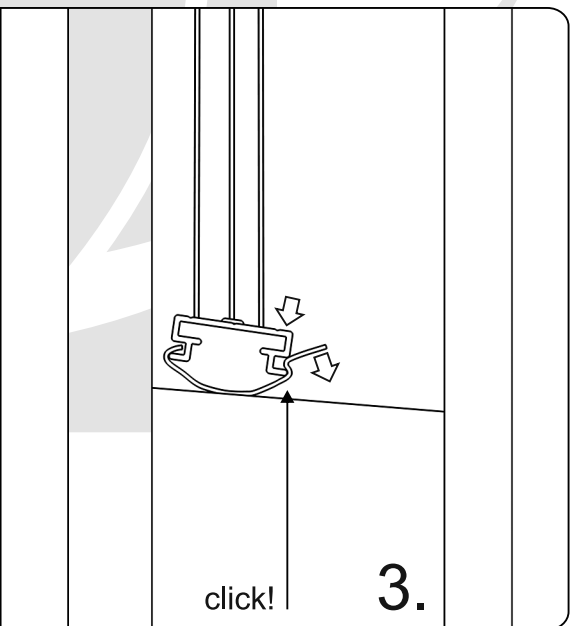
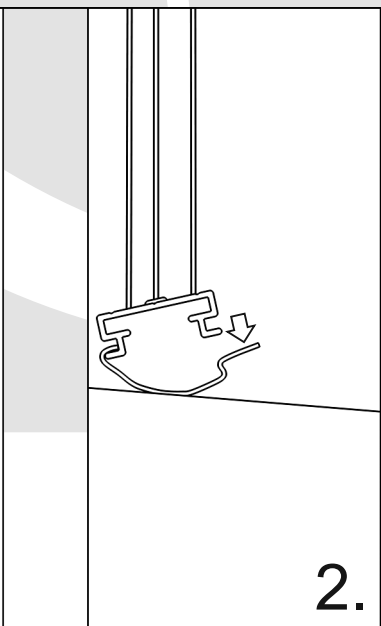
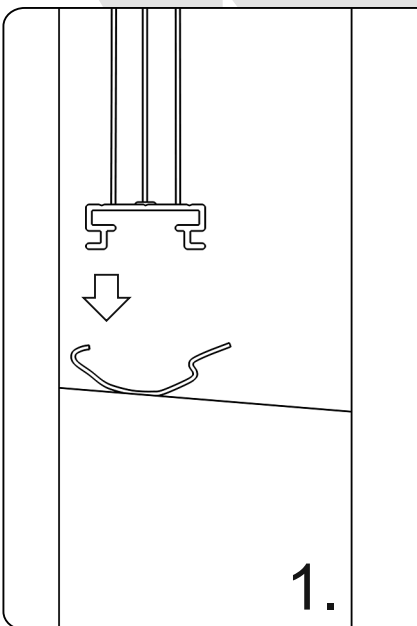
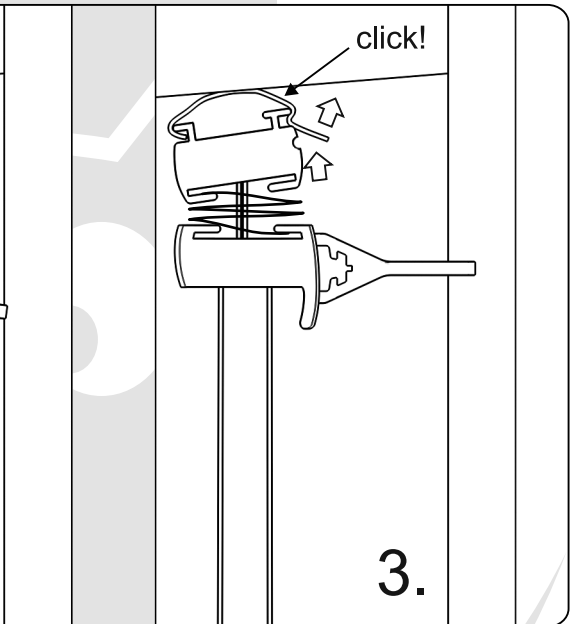
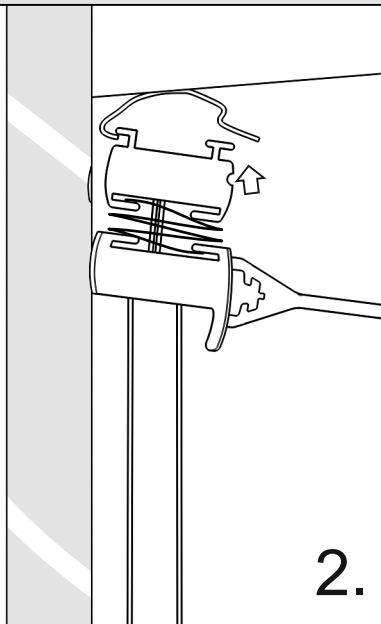
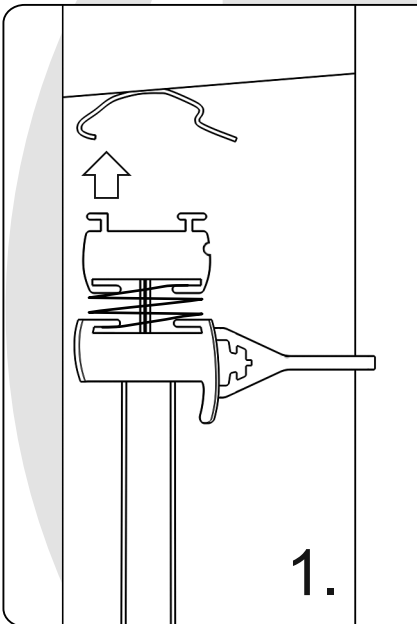
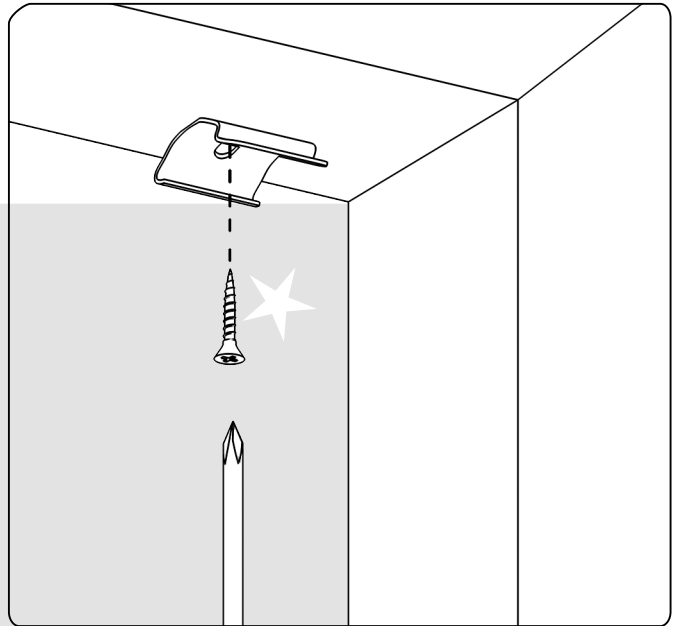
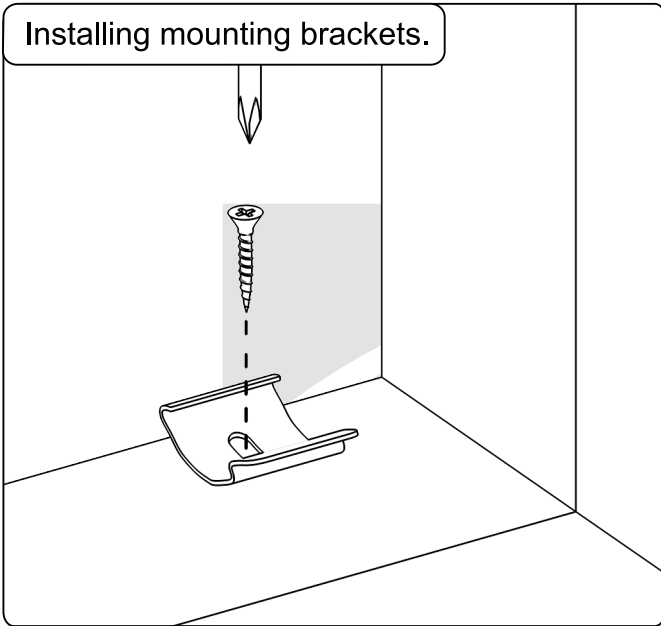
Installing pleat.



In case of bad tension of the steel rope it should be adjusted with screws in the bottom bar.



Installing mounting brackets.





Fart Produkt Sp. z o. o. Sp. k.
ul. Towarowa 3, 87-100 Toruń
tel. +48 56 623 55 77
e-mail: export@fartprodukt.pl
www.fartprodukt.pl