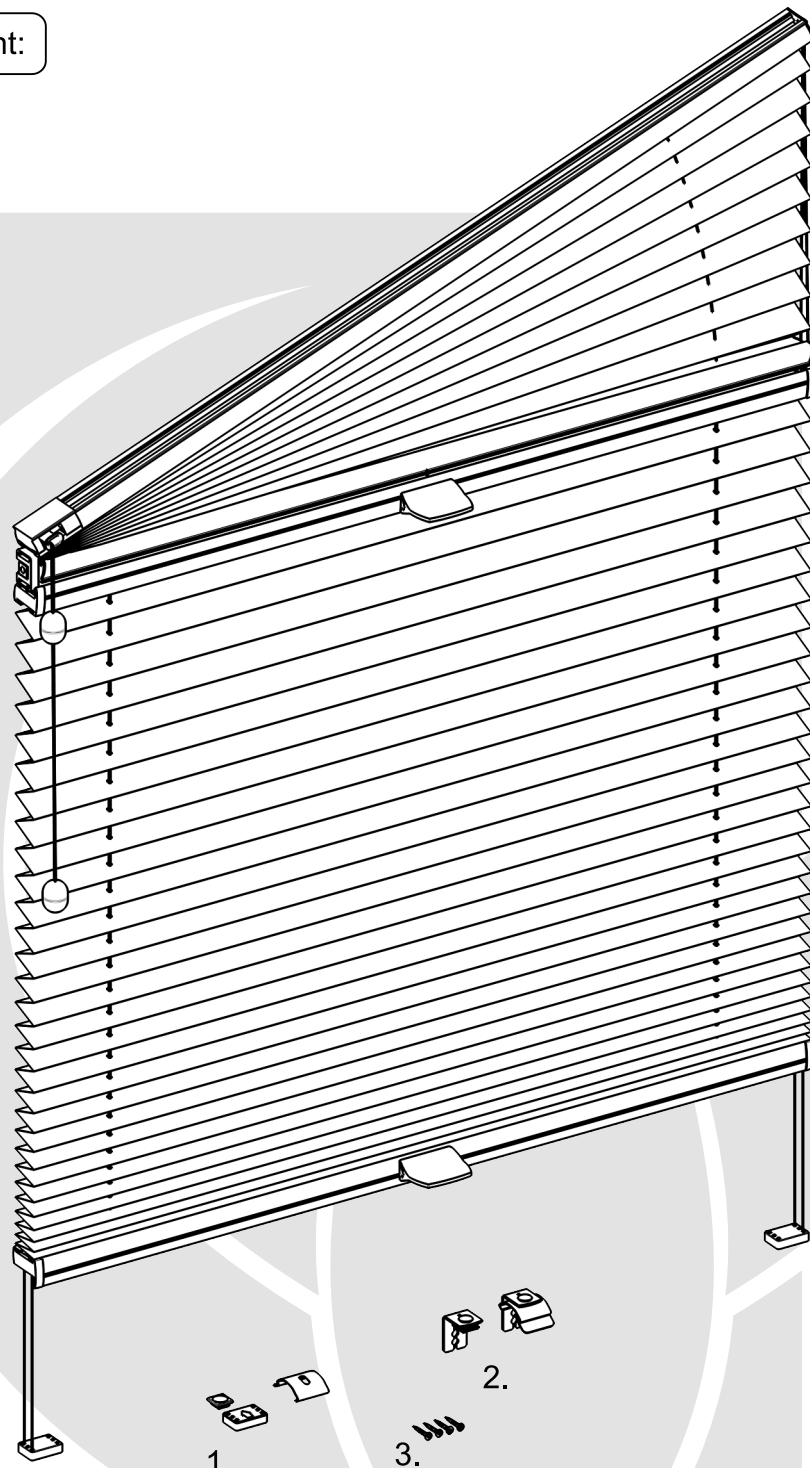




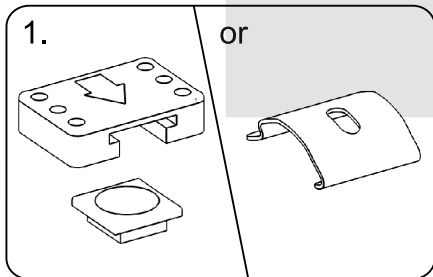
Installation instructions

20 mm pleated blinds Variant 13N

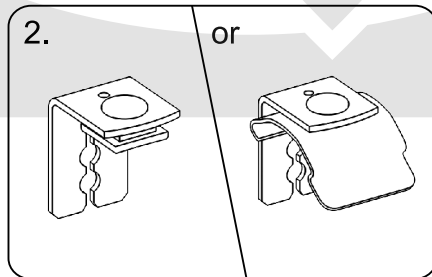
Packaging content:



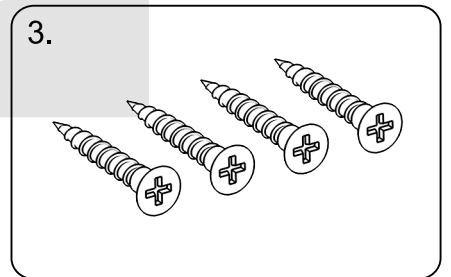
- 1. Type A mount bracket.
- 2. Type B mount bracket.
- 3. Screws.



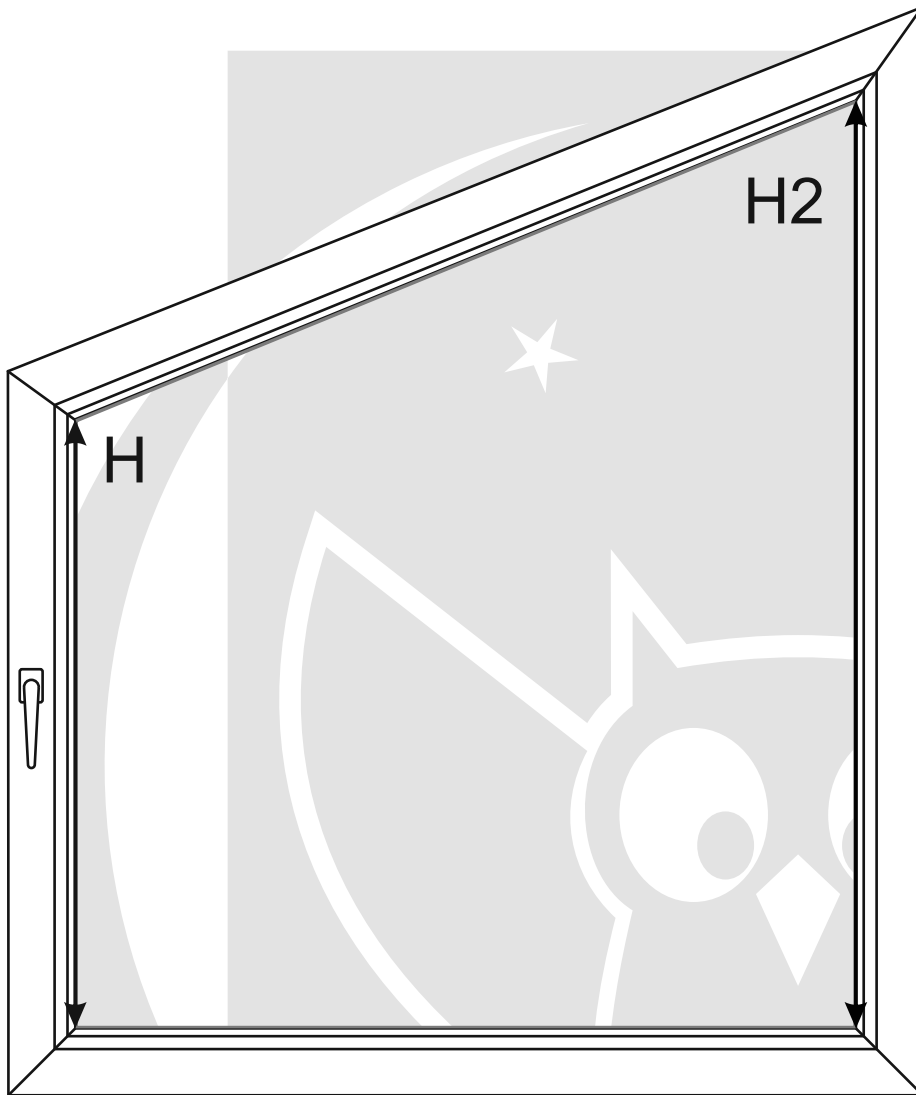
pane installation



surface installation



Window measurement. When ordering, please specify the height H and H2.



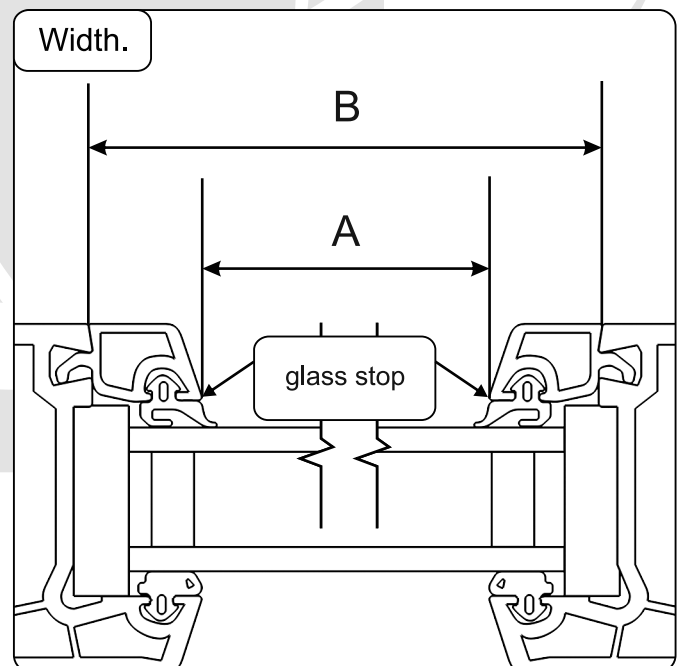
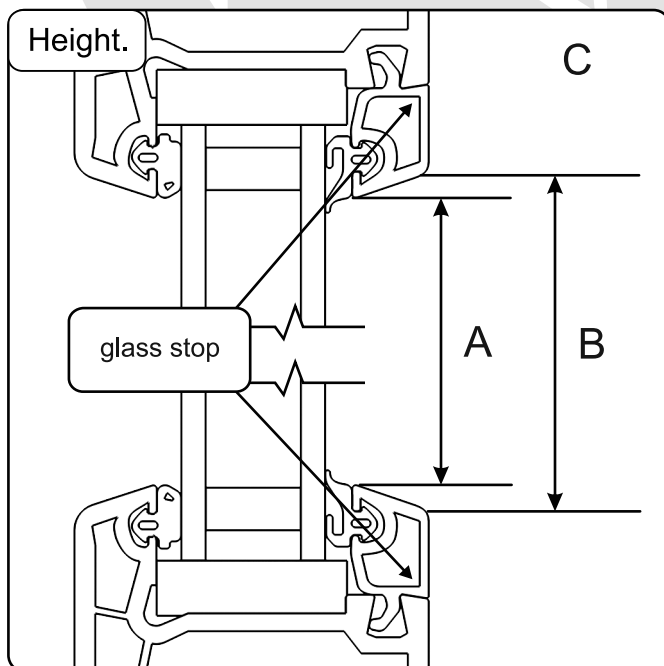
A - Type A mount bracket.
B - Type B mount bracket.

Height:

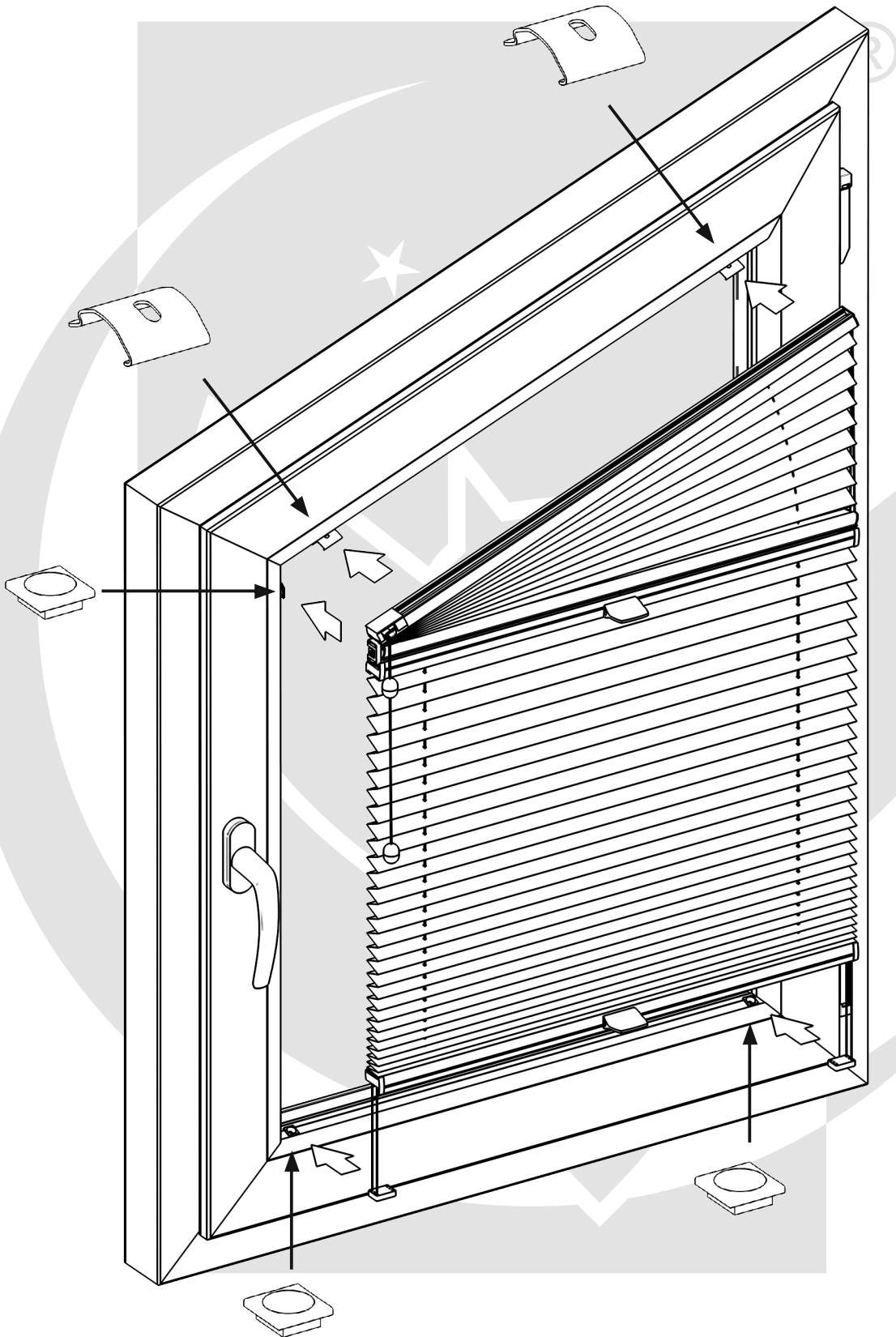
A = measured height.
B = measured height
plus 23 mm.

Width:

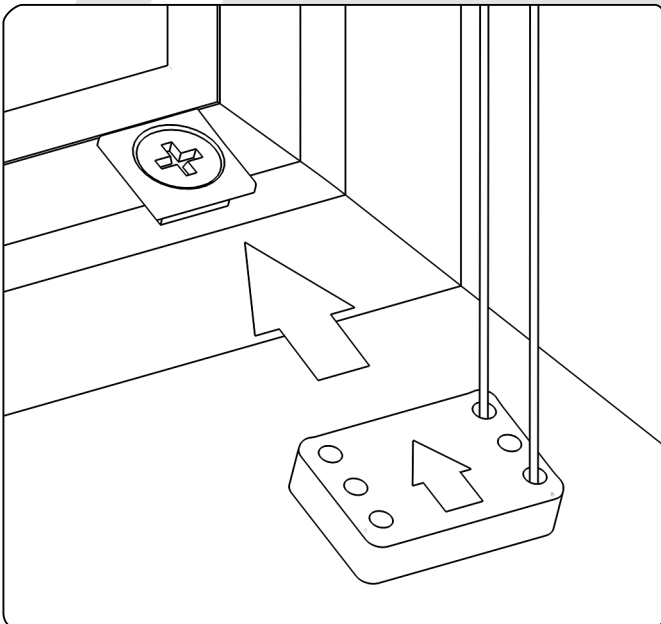
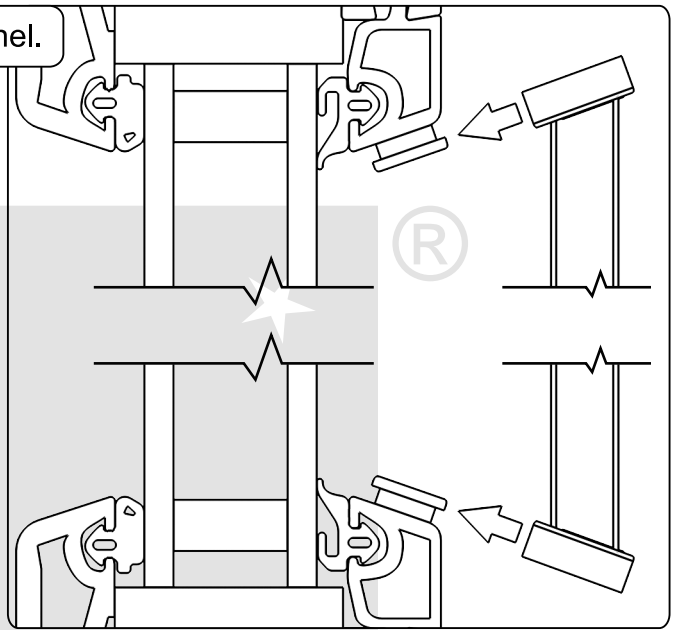
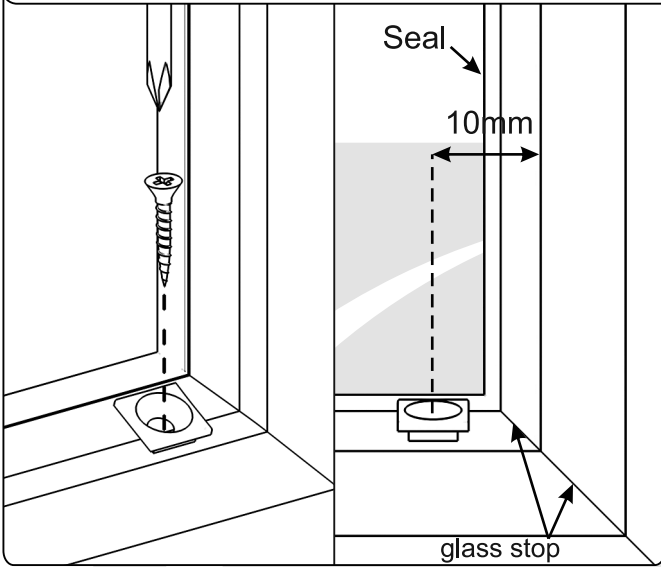
A = measured width
minus 3 mm
B = measured width



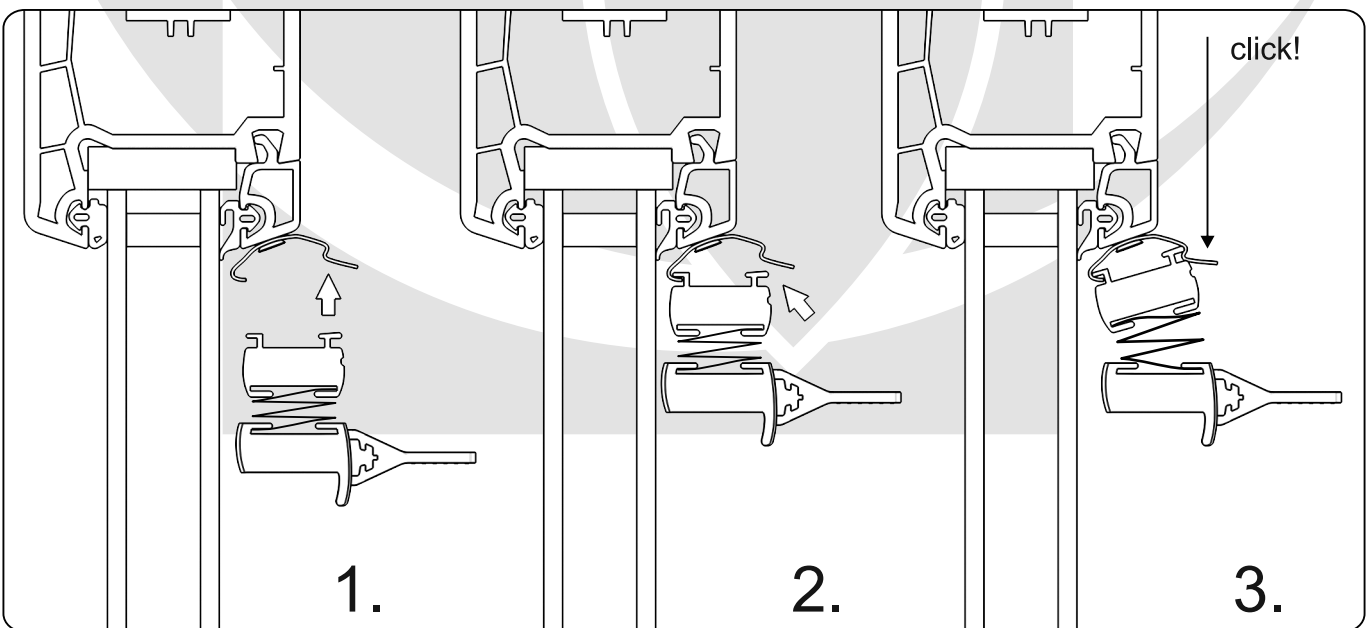
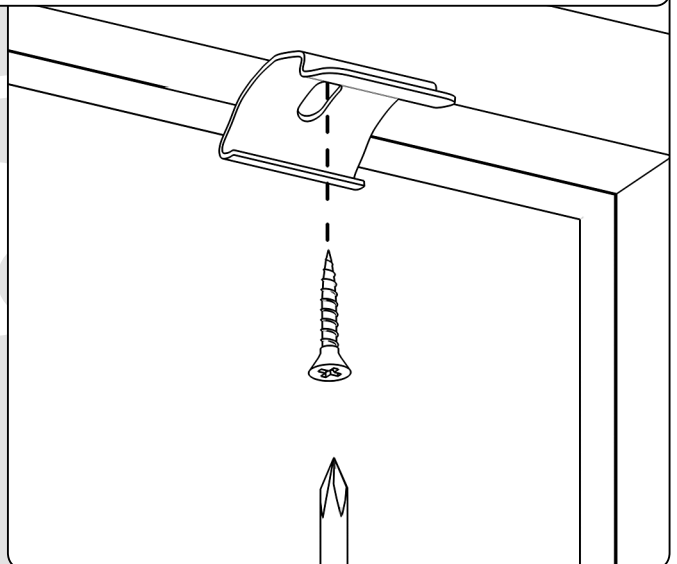
Installing pleat - type A mount bracket.



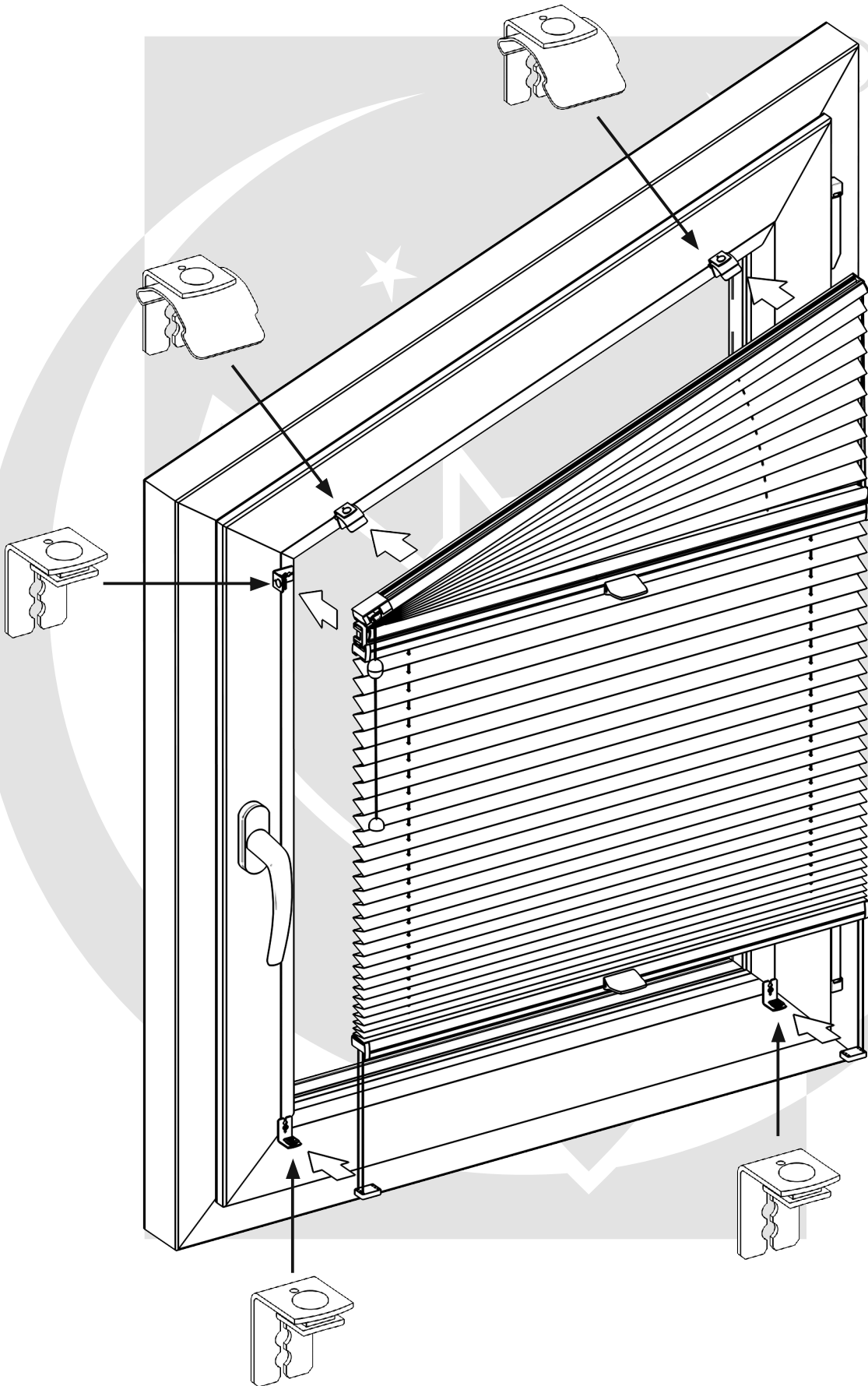
Installing type A mount bracket - movable channel.



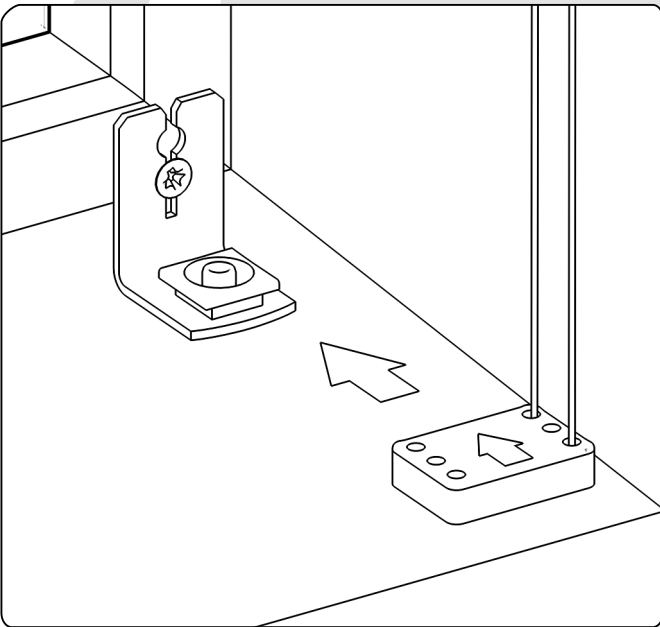
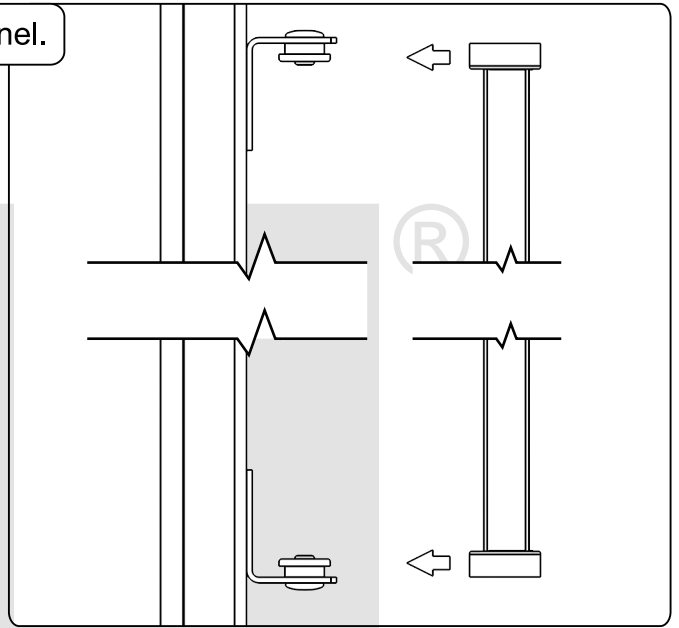
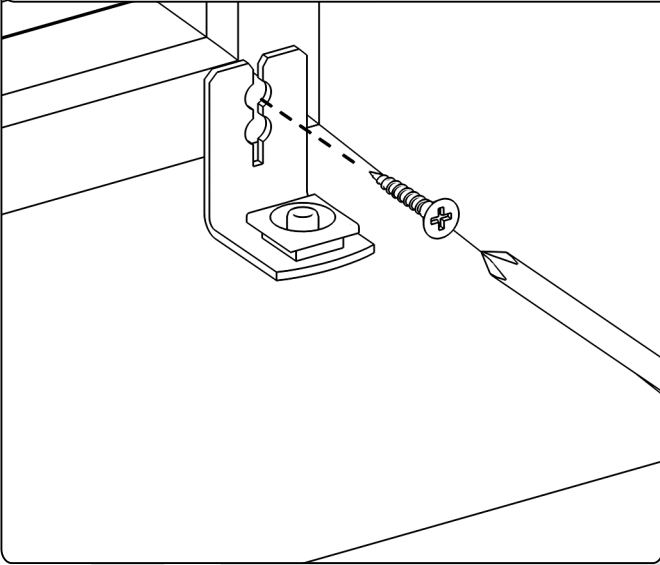
Installing type A mount bracket - fixed channel.



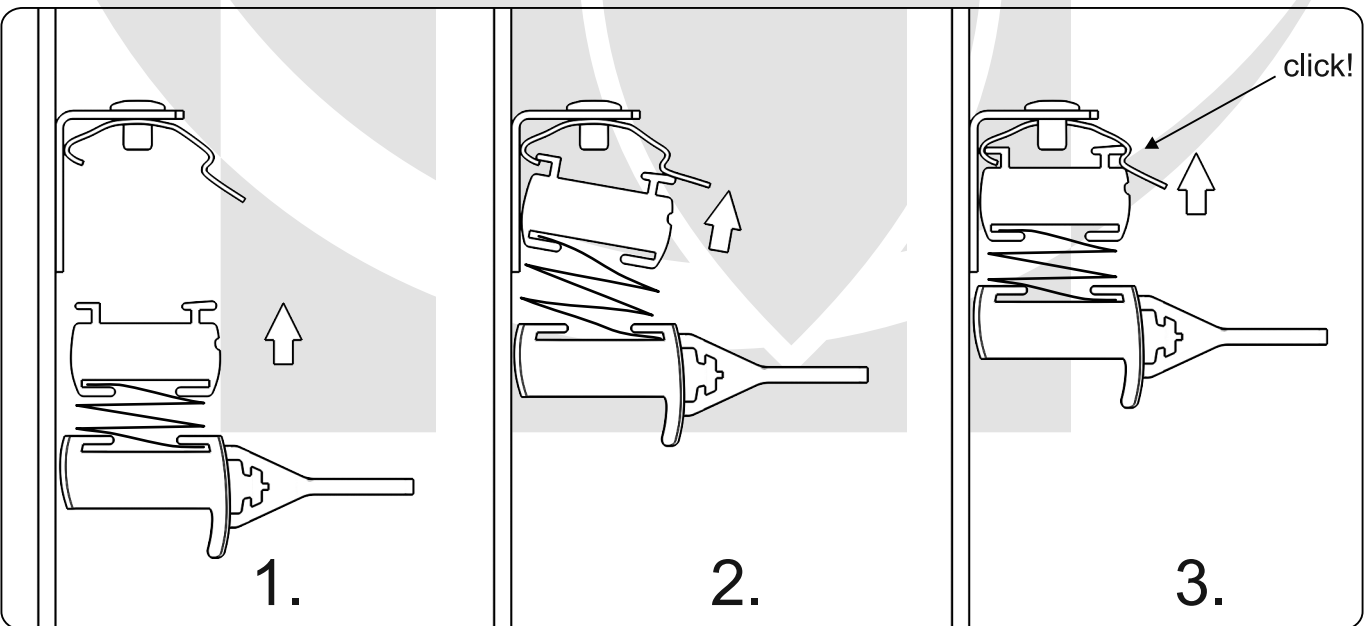
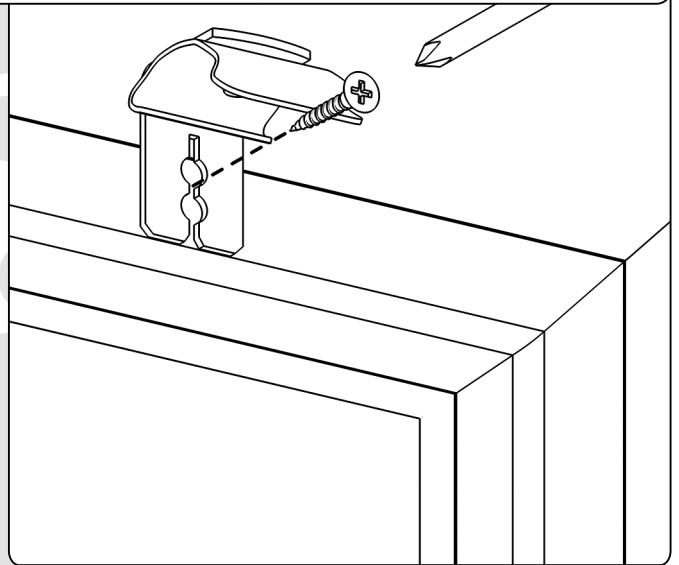
Installing pleat - type B mount bracket.



Installing type B mount bracket - movable channel.



Installing type B mount bracket - fixed channel.





Fart Produkt Sp. z o. o. Sp. k.
ul. Towarowa 3, 87-100 Toruń
tel. +48 56 623 55 77
e-mail: export@fartprodukt.pl
www.fartprodukt.pl