

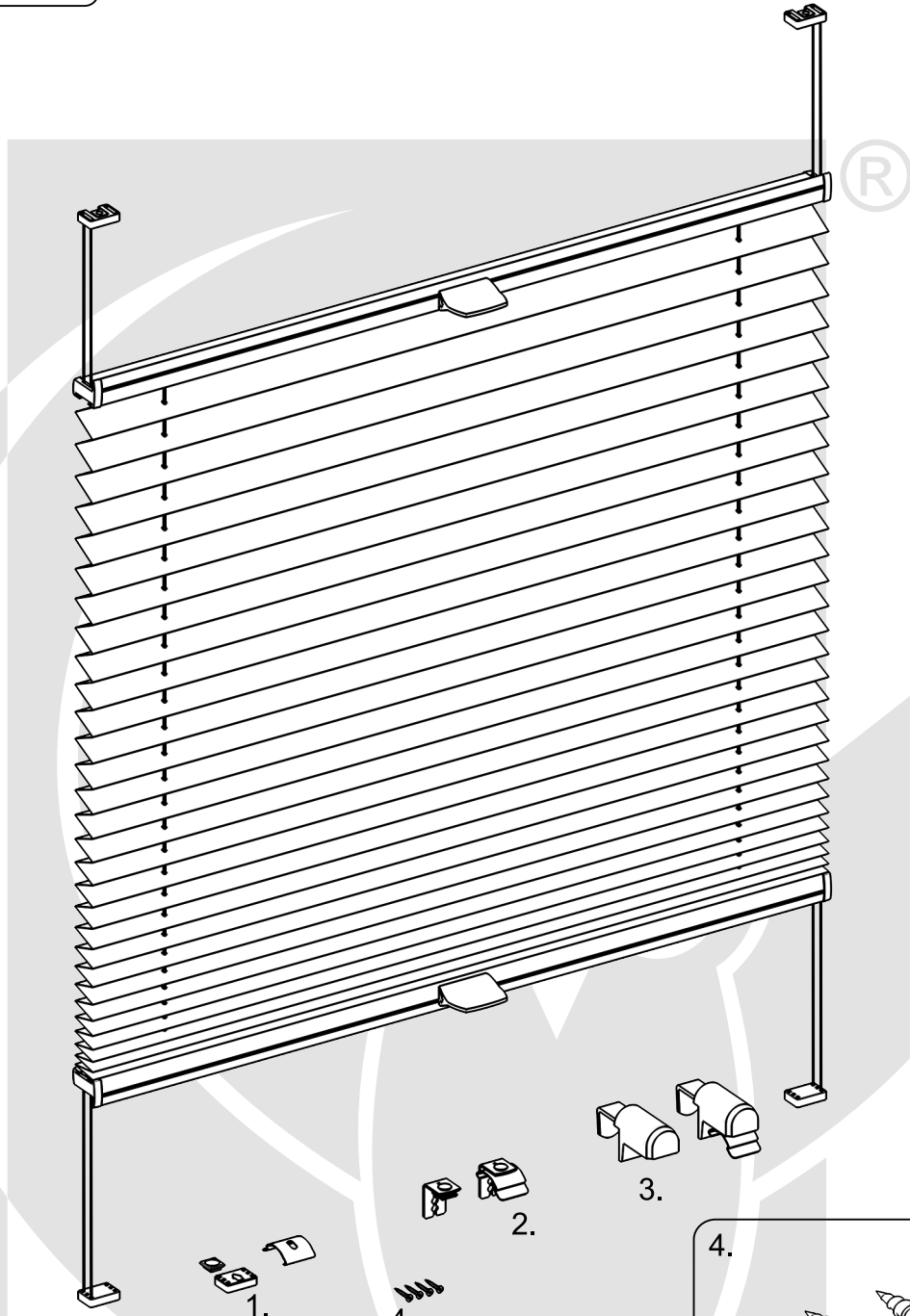


# Installation instructions

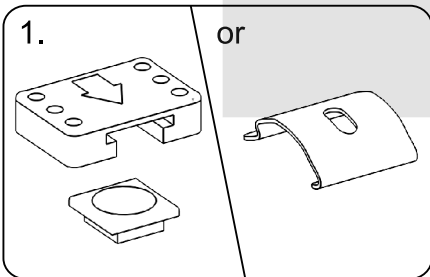
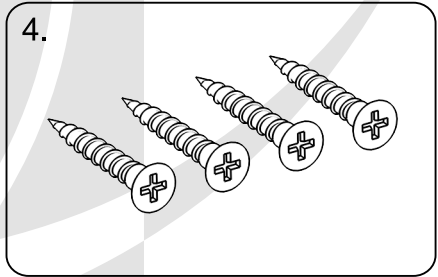
---

20 mm pleated blinds

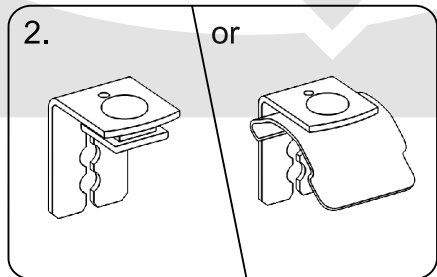
Packaging content:



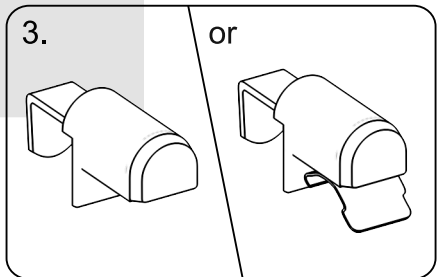
- 1. Type A mount bracket.
- 2. Type B mount bracket.
- 3. Type C mount bracket.
- 4. Screws.



pane installation

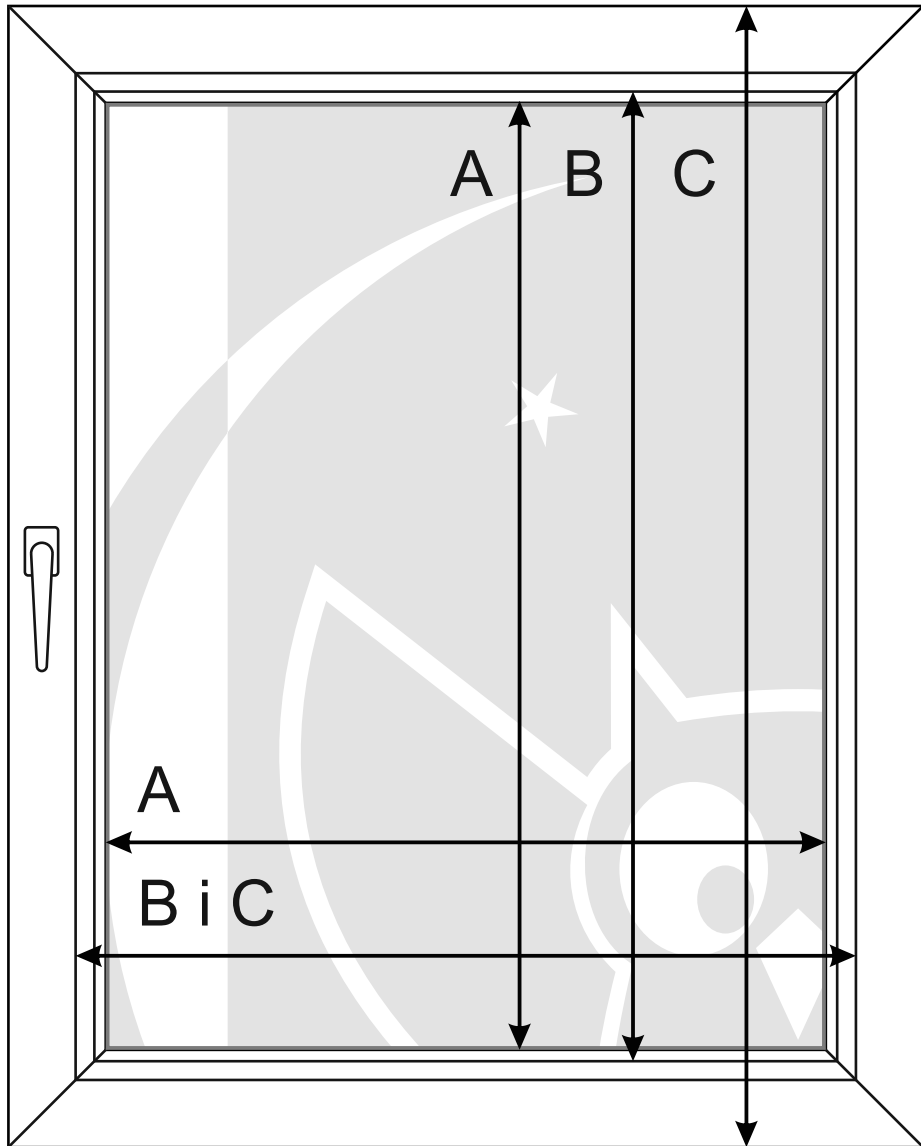


surface installation



non-invasive installation

Window measurement.



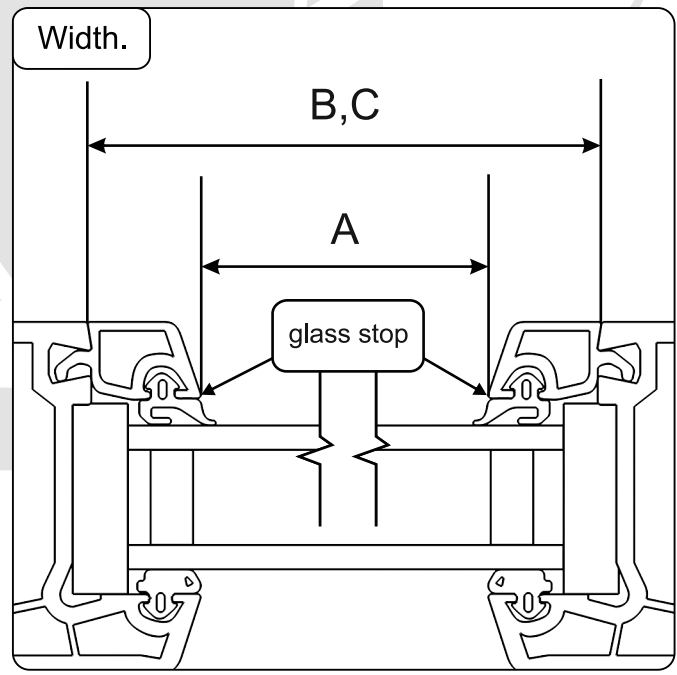
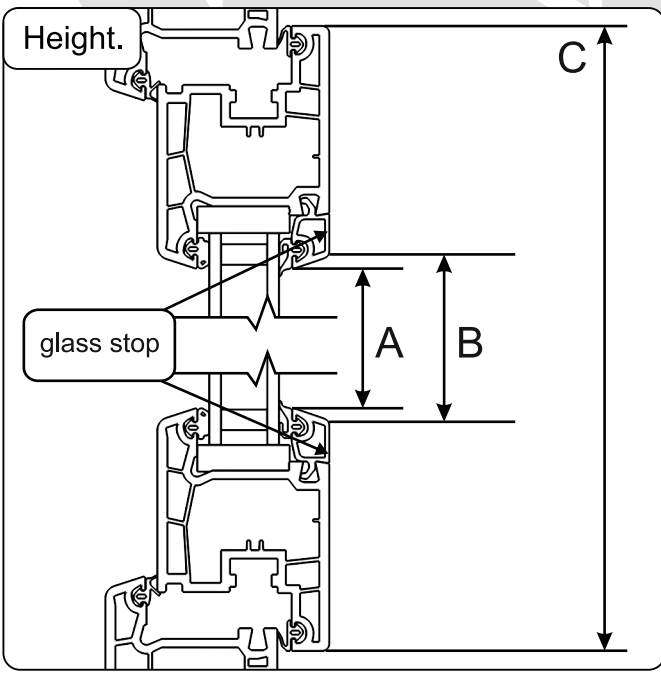
- A** - Type A mount bracket.
- B** - Type B mount bracket.
- C** - Type C mount bracket.

**Height:**

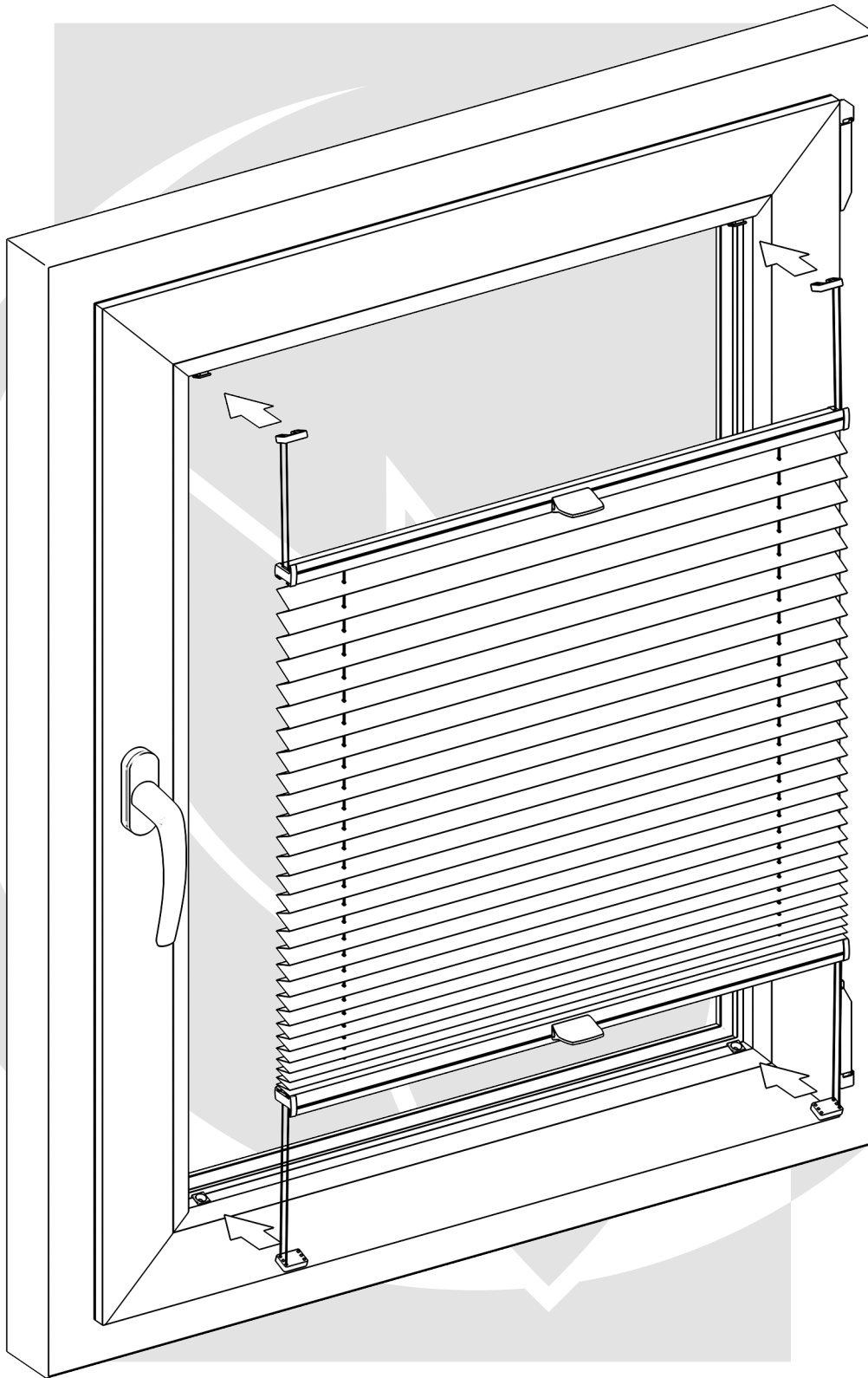
- A** = measured height.
- B** = measured height **plus 23 mm.**
- C** = measured height **minus 10 mm.**

**Width:**

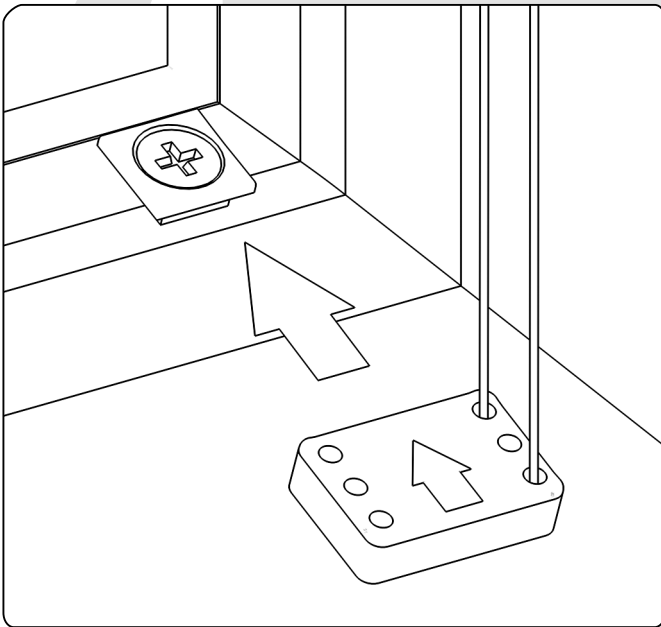
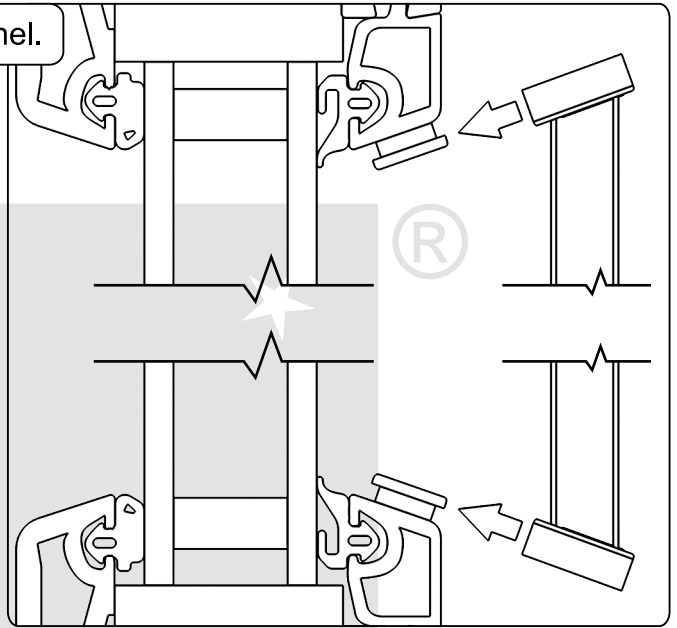
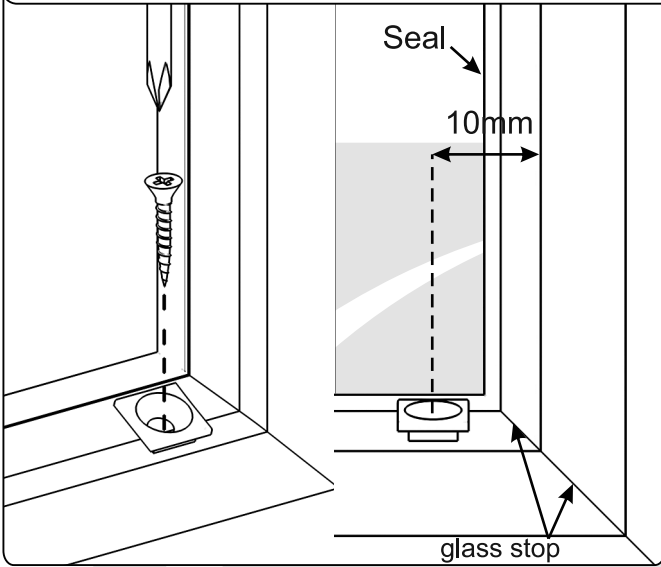
- A** = measured width **minus 3 mm**
- B** = measured width
- C** = measured width



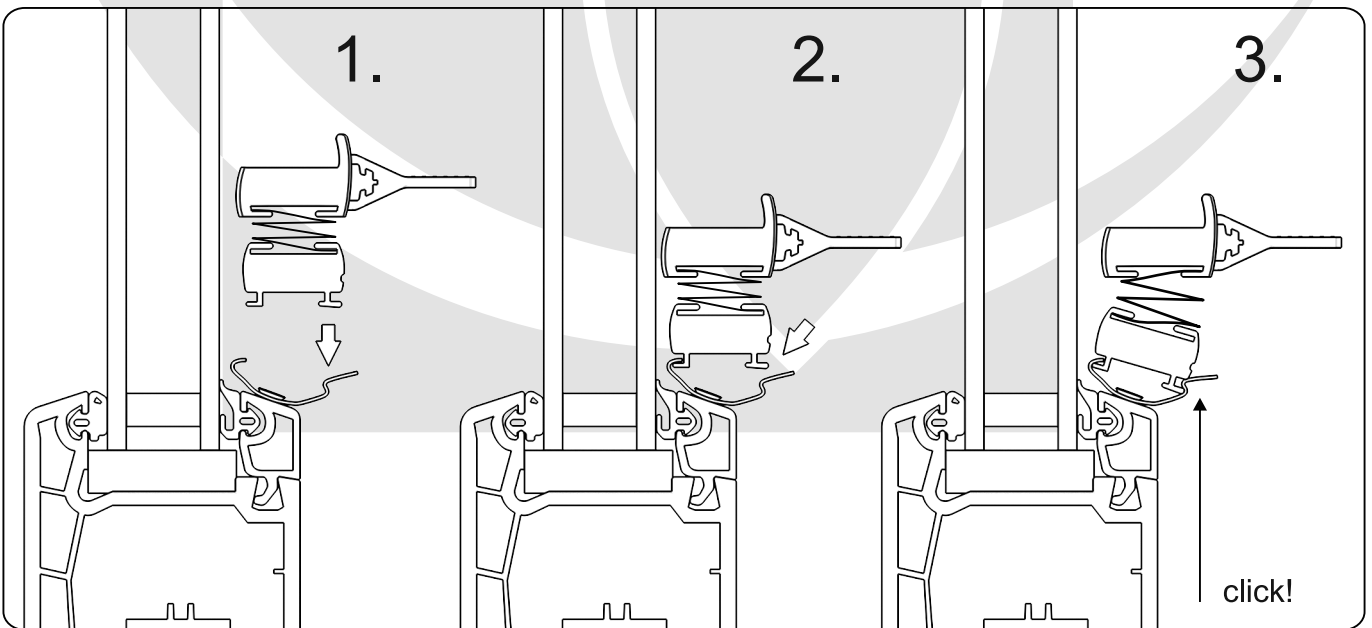
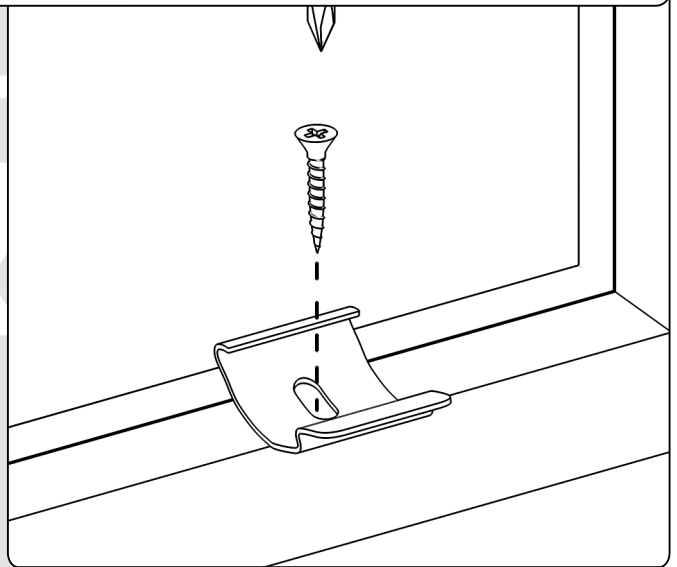
Installing pleat - type A mount bracket.



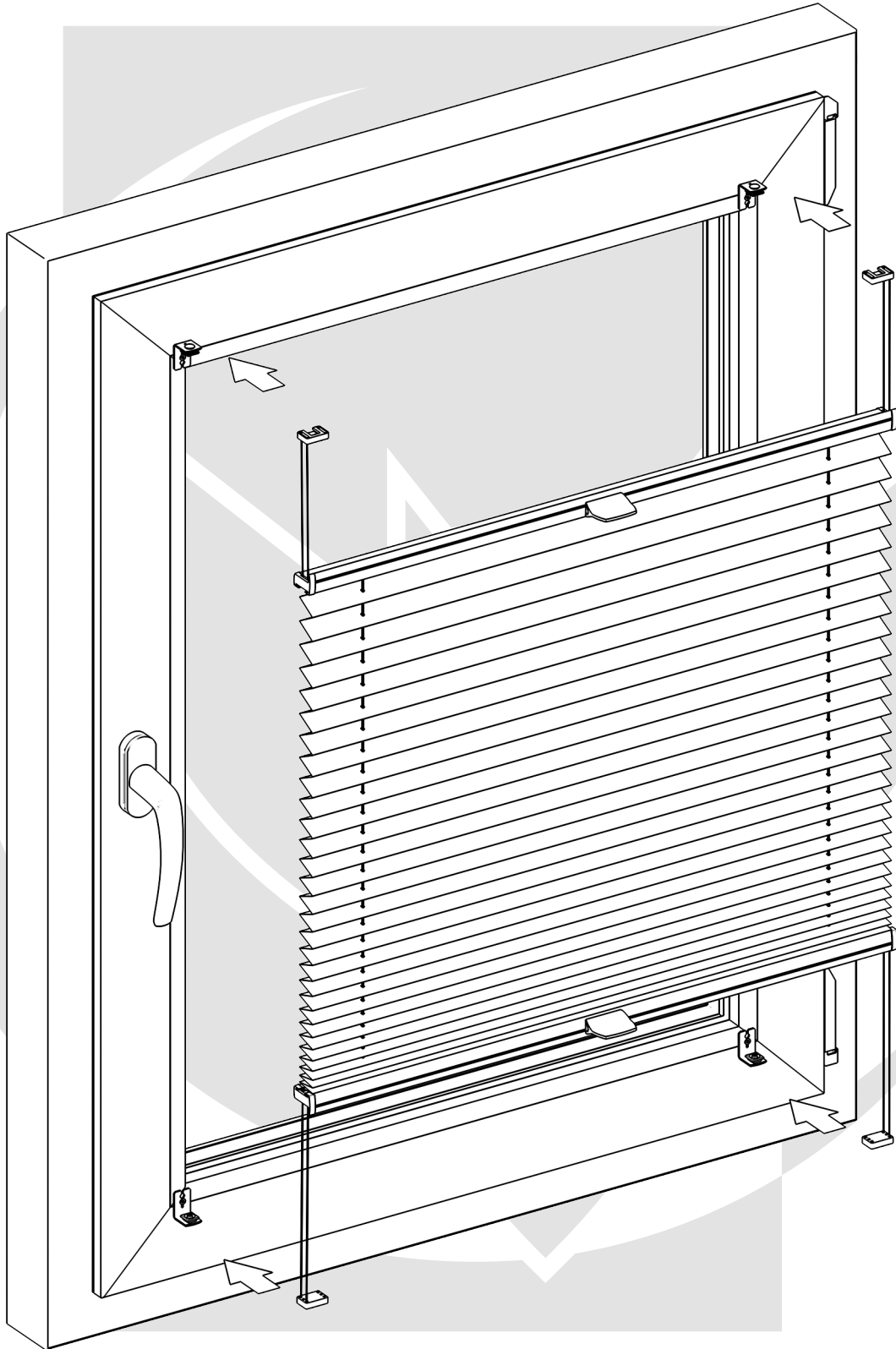
Installing type A mount bracket - movable channel.



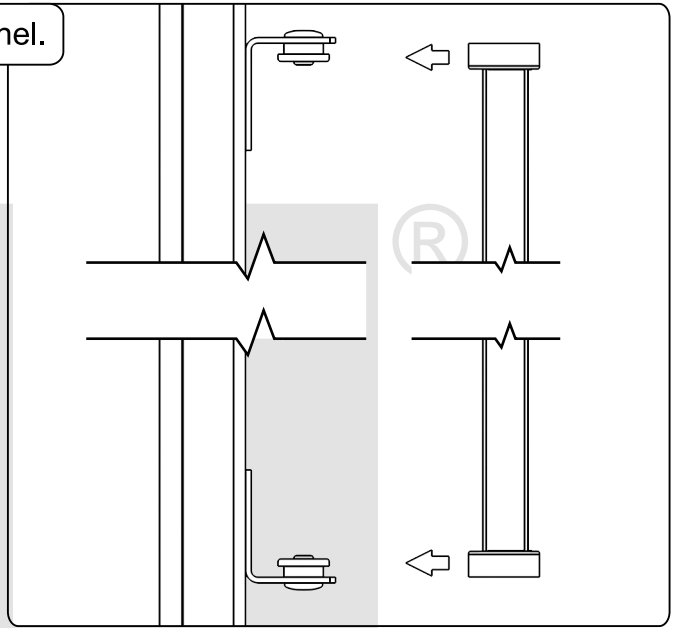
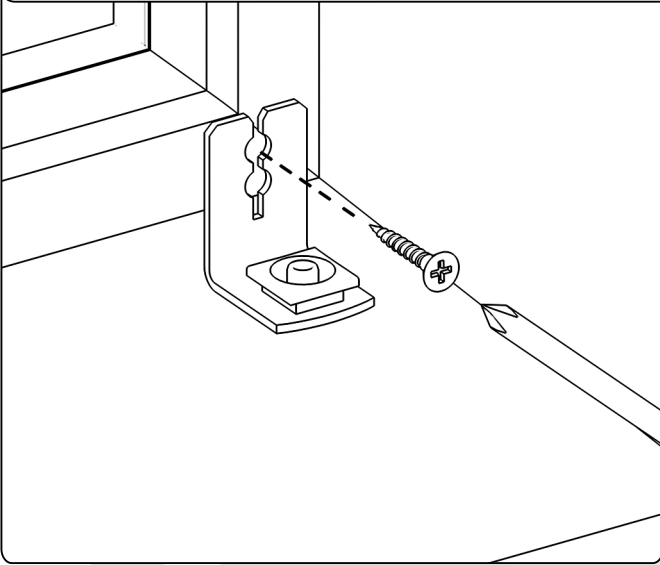
Installing type A mount bracket - fixed channel.



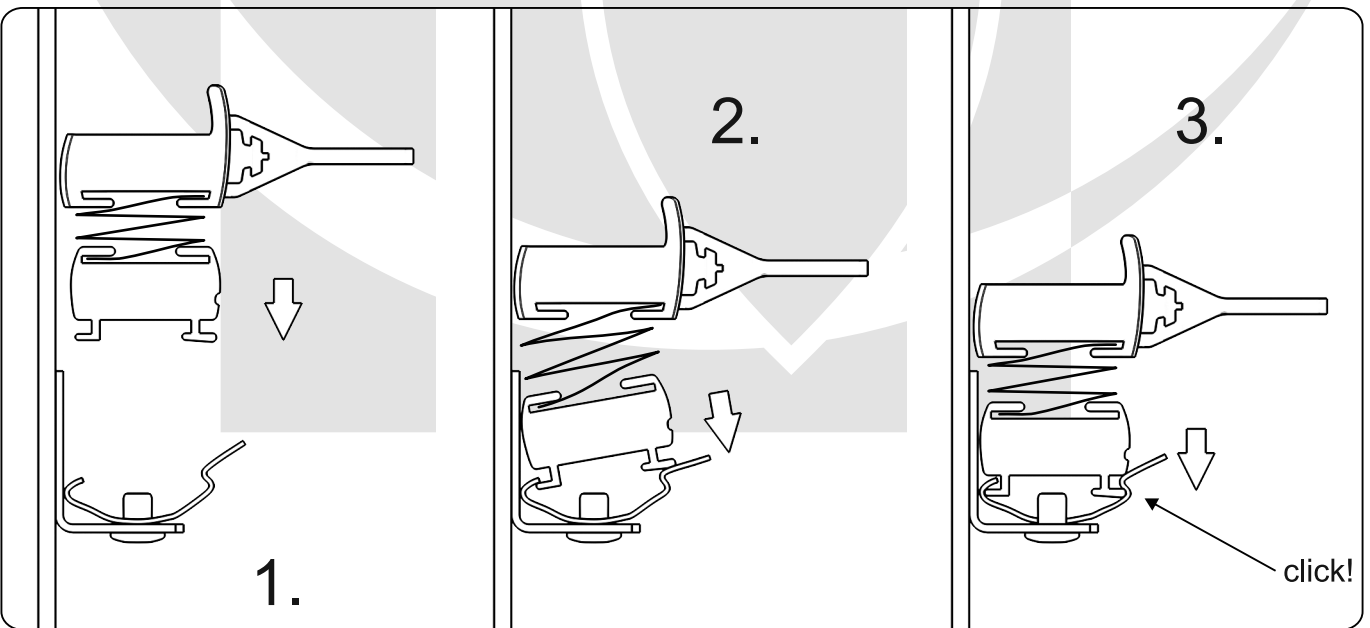
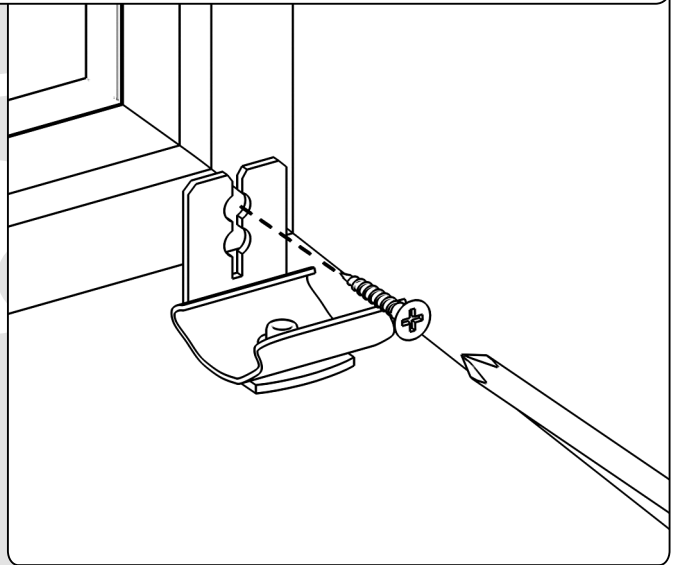
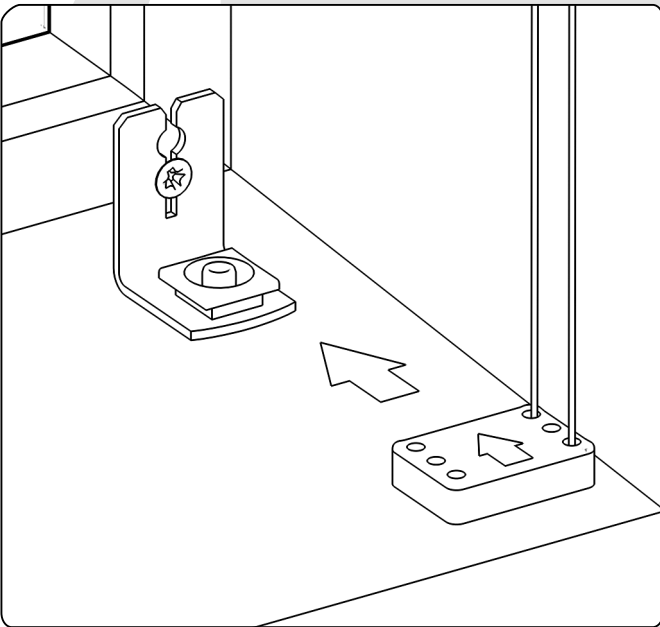
Installing pleat - type B mount bracket.



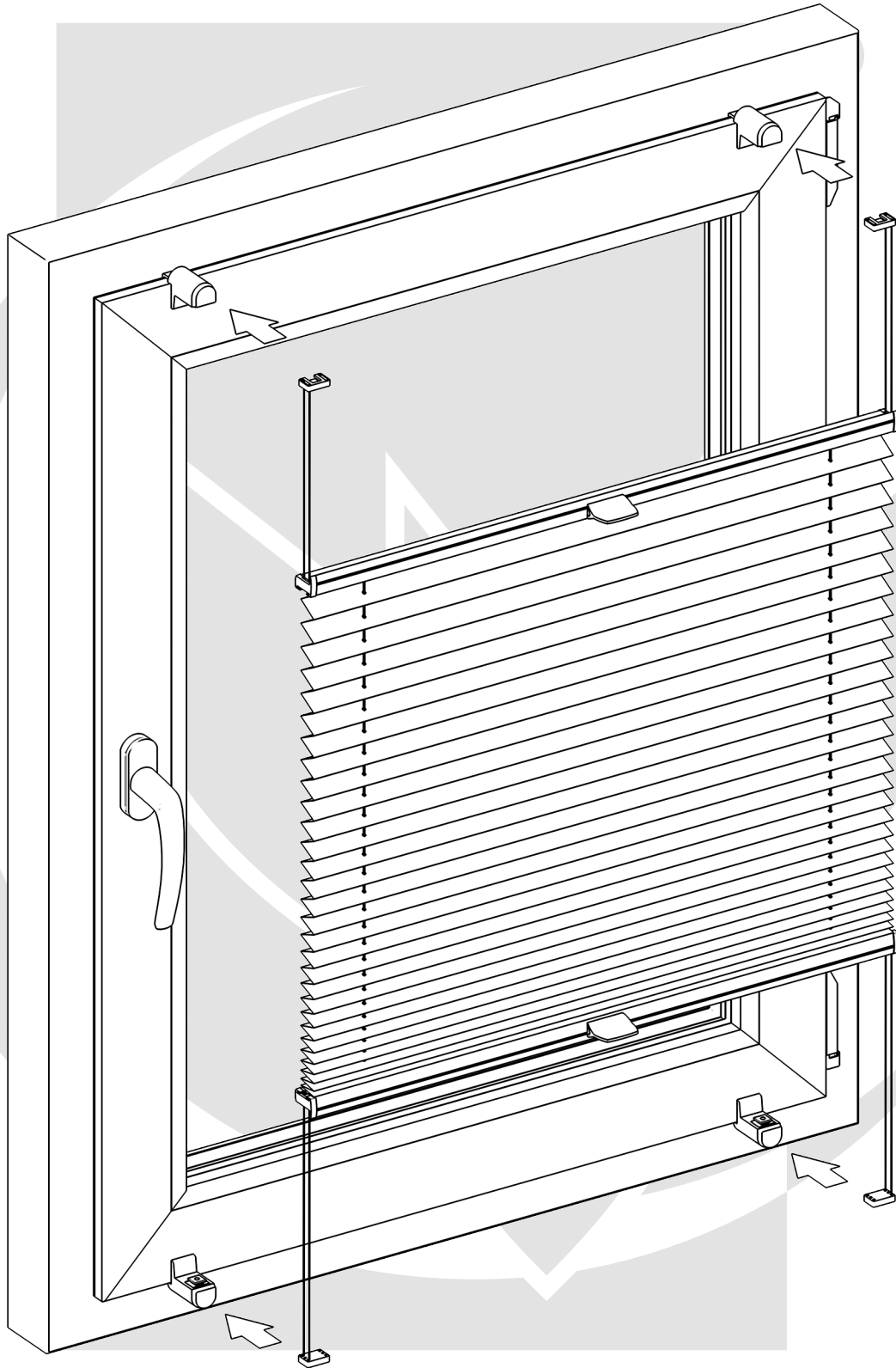
Installing type B mount bracket - movable channel.



Installing type B mount bracket - fixed channel.

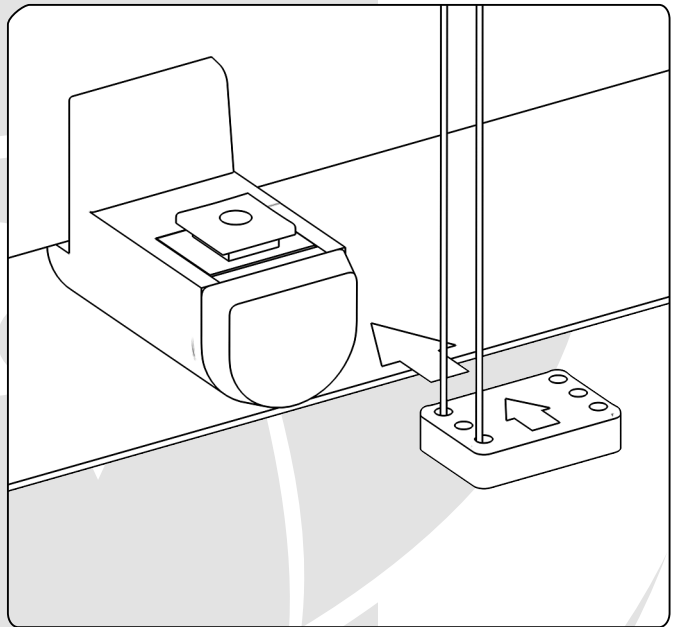
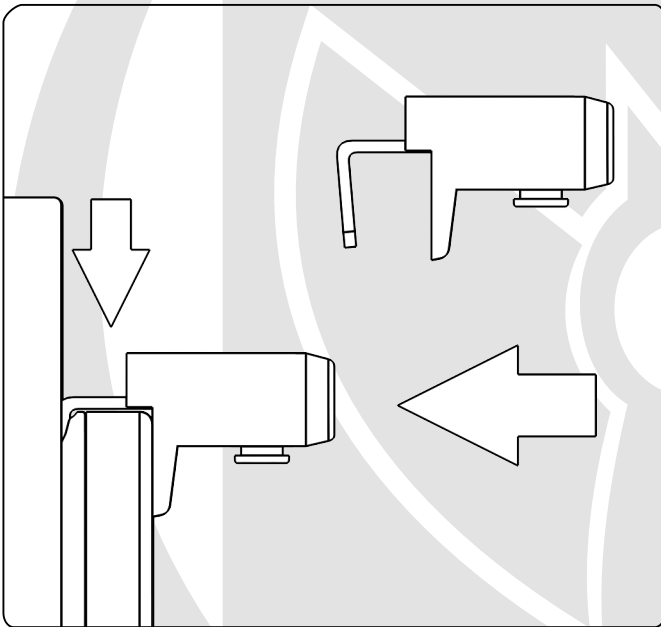
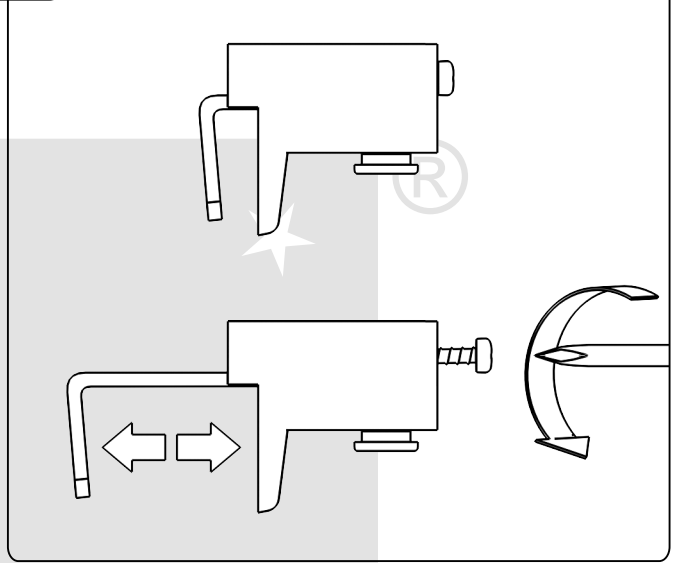
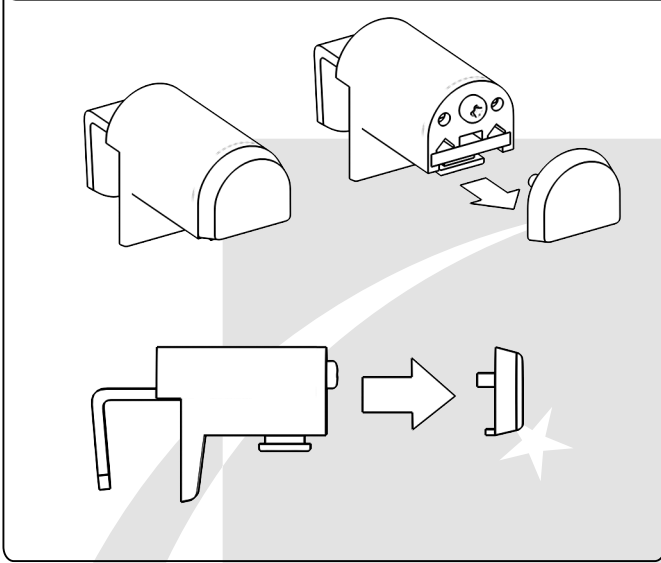


Installing pleat - type C mount bracket.

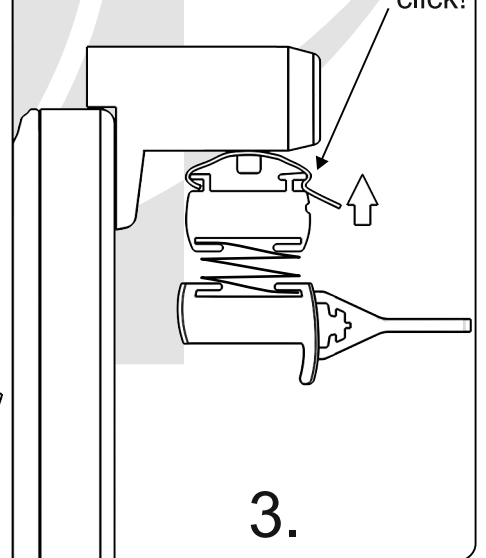
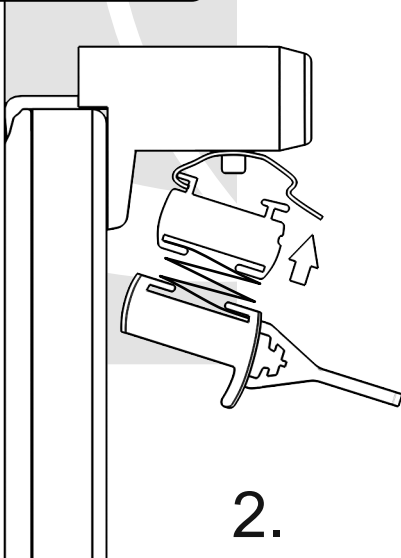
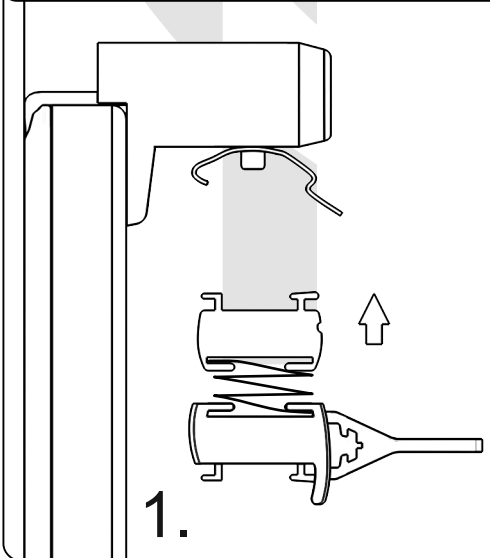




Installing type C mount bracket - movable channel.



Installing type C mount bracket - fixed channel.





Fart Produkt Sp. z o. o. Sp. k.  
ul. Towarowa 3, 87-100 Toruń  
tel. +48 56 623 55 77  
e-mail: [export@fartprodukt.pl](mailto:export@fartprodukt.pl)  
[www.fartprodukt.pl](http://www.fartprodukt.pl)