

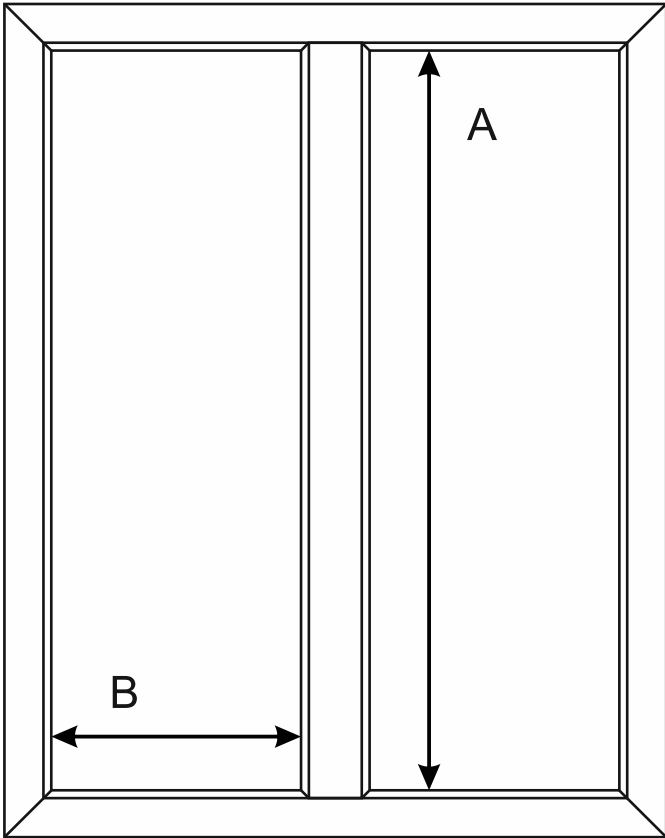


Installation instructions

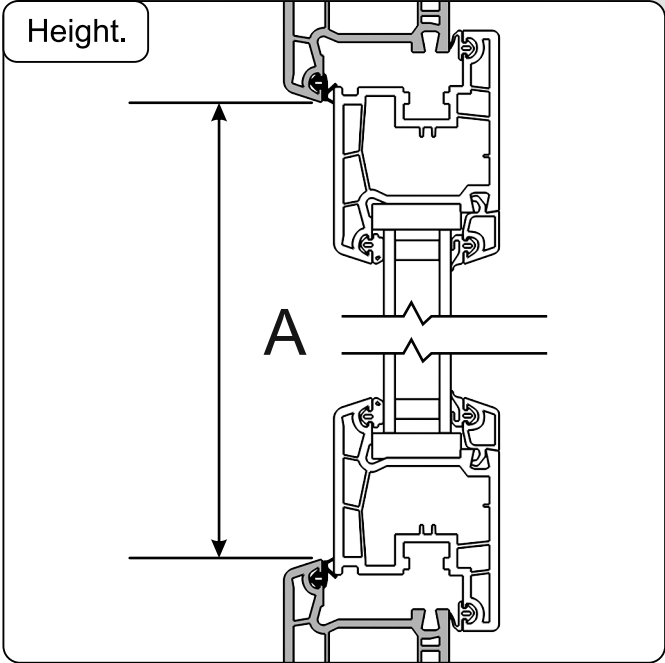
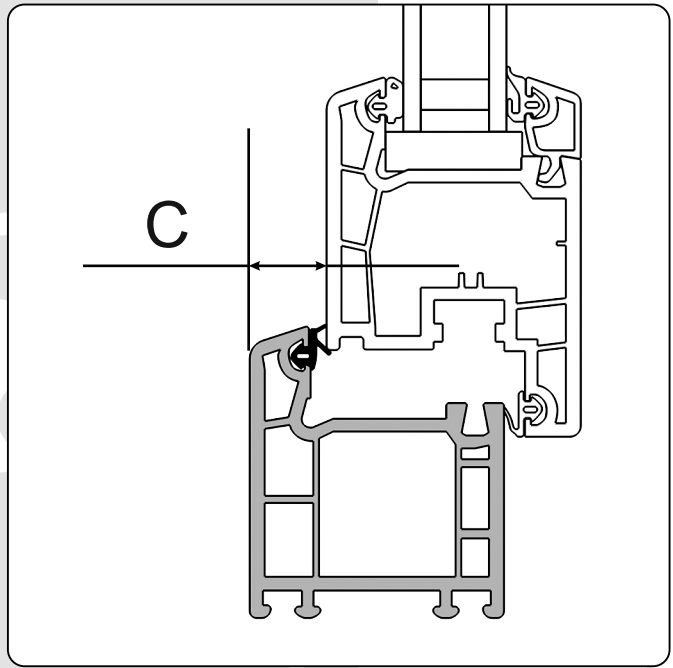
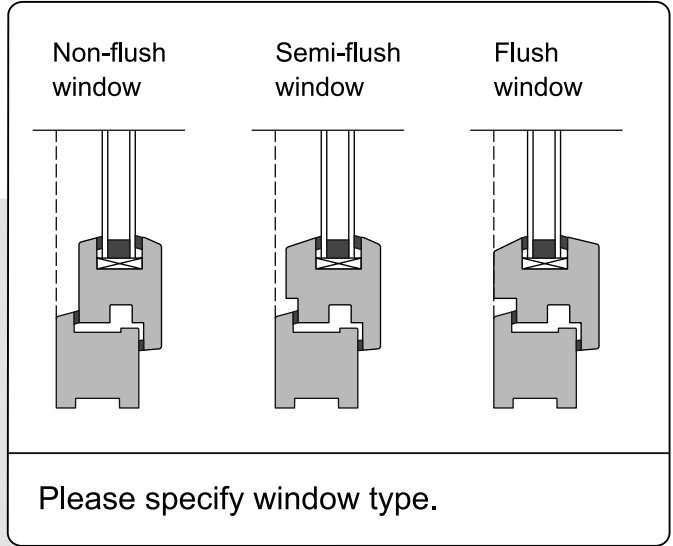
Window insect screens

Window measurement.

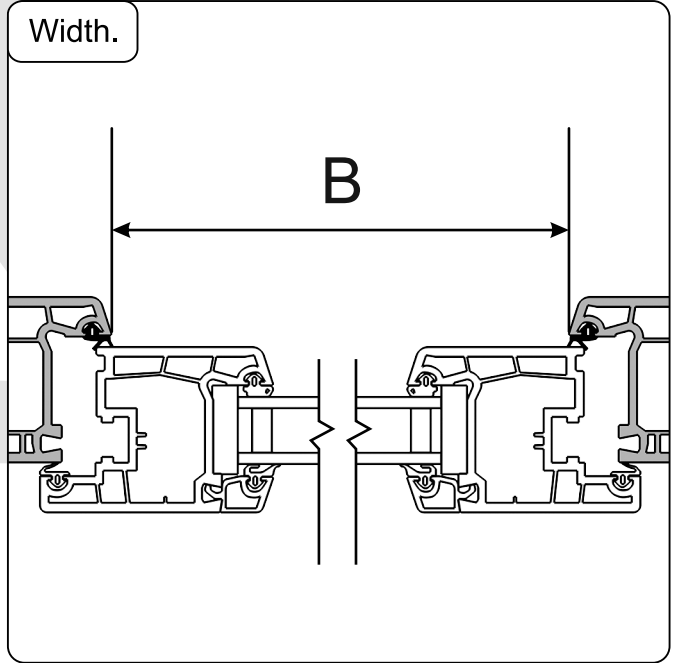
Window frame opening measurement.



A – window frame opening height.
B – window frame opening width.
C – window frame with seal thickness.

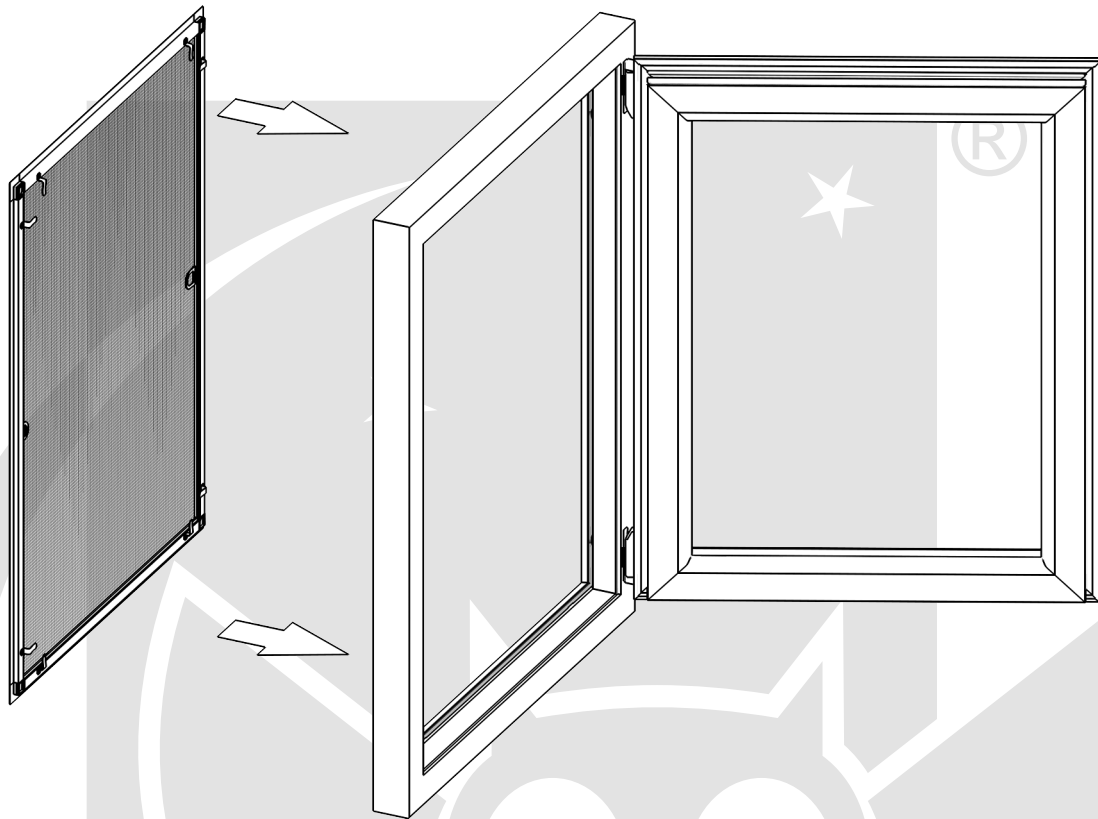


Height.

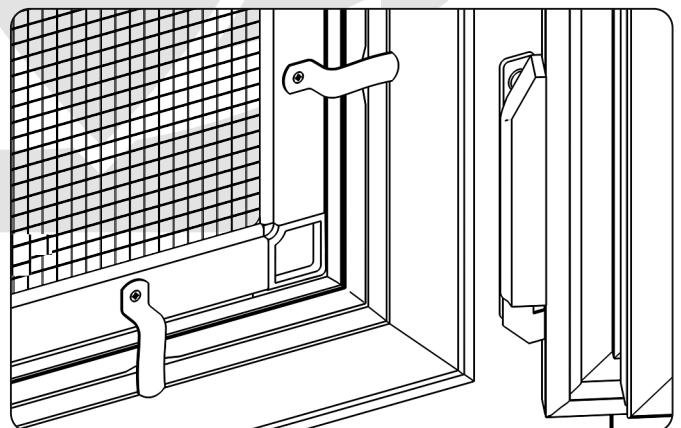
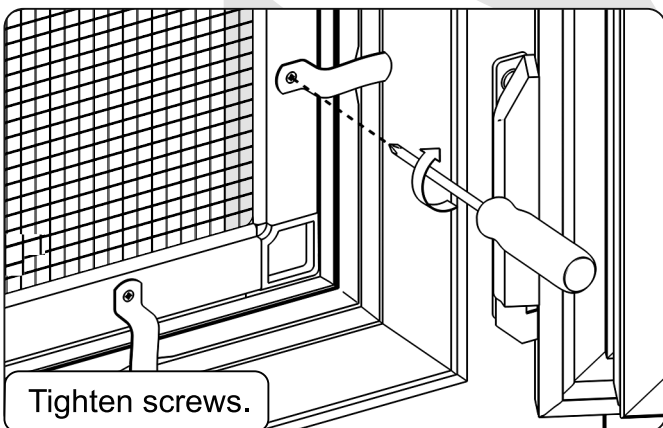
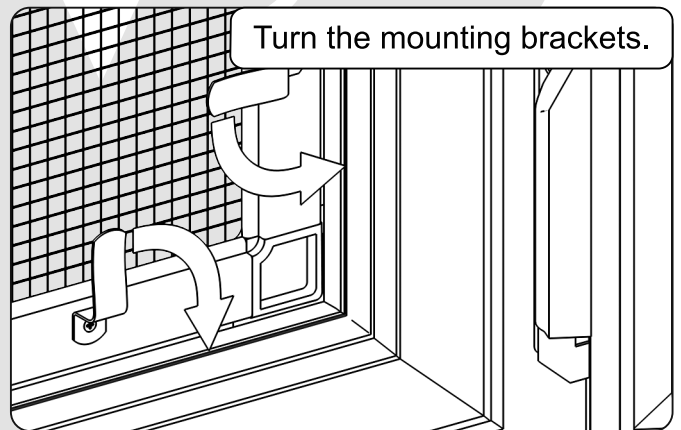
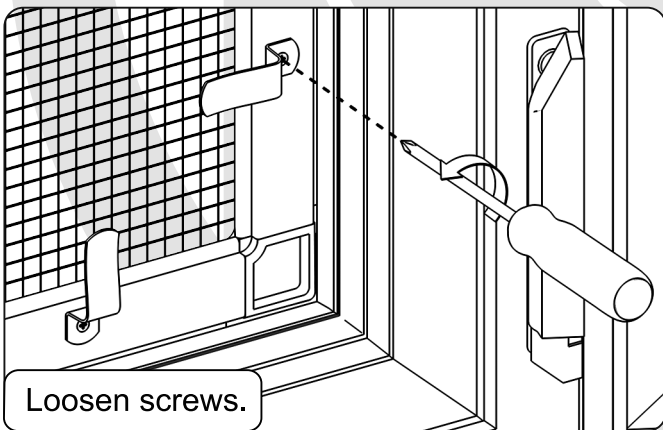


Width.

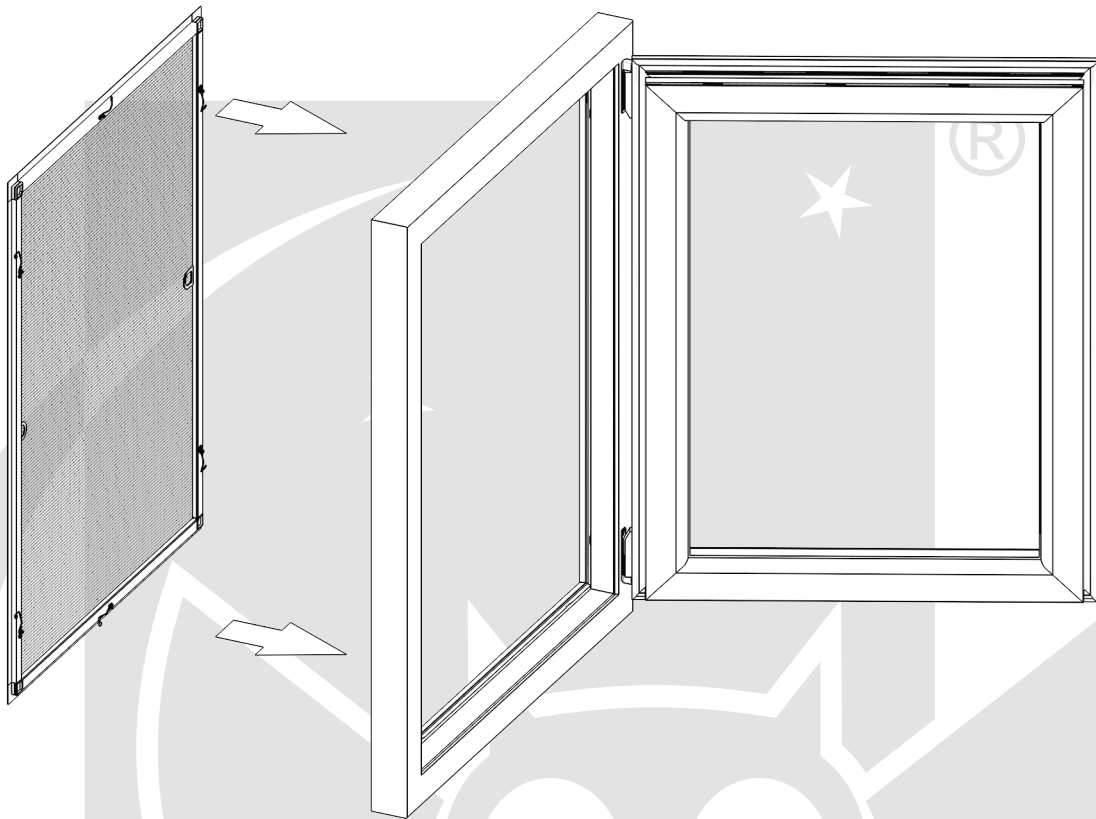
Mounting bracket installation.



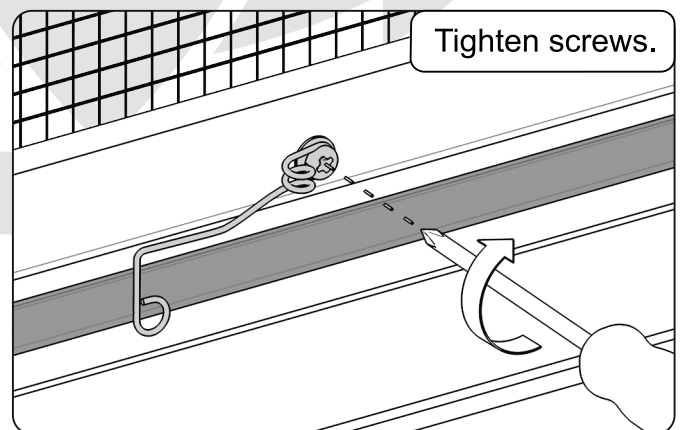
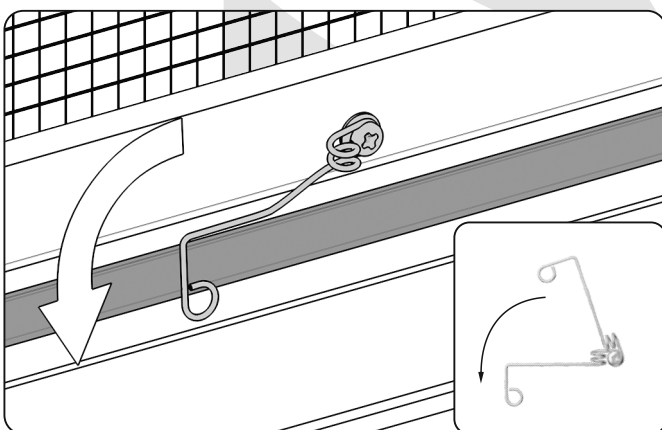
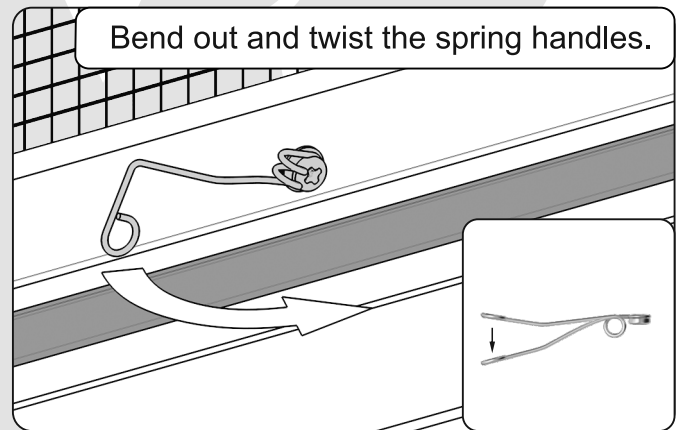
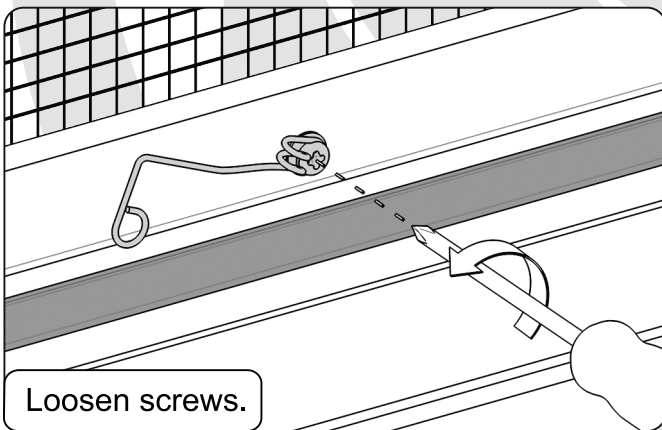
Hold the insect screen in place and attach with mounting brackets.



Installation with spring handles.



After putting the insect screen, install it by twisting the spring handles.





Fart Produkt Sp. z o. o. Sp. k.
ul. Towarowa 3, 87-100 Toruń
tel. +48 56 623 55 77
e-mail: export@fartprodukt.pl
www.fartprodukt.pl