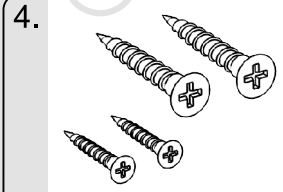
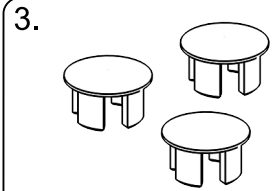
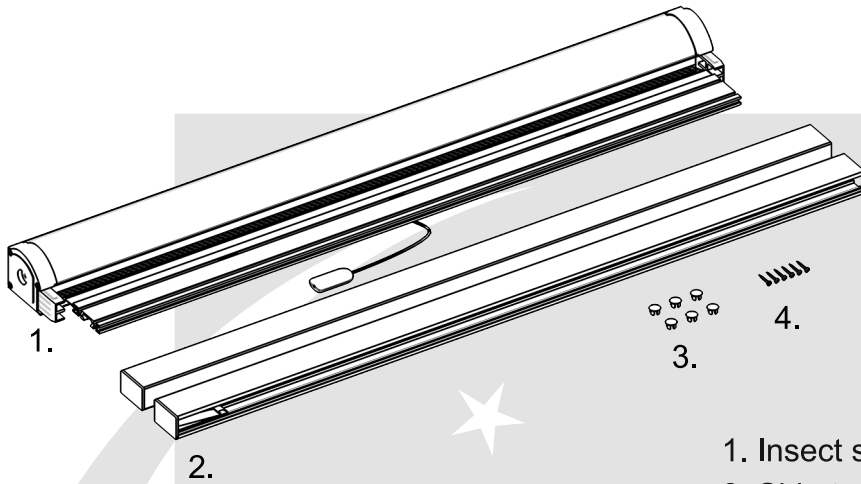




Installation instructions

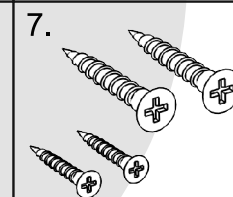
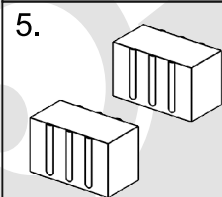
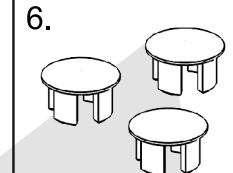
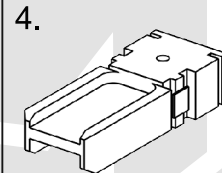
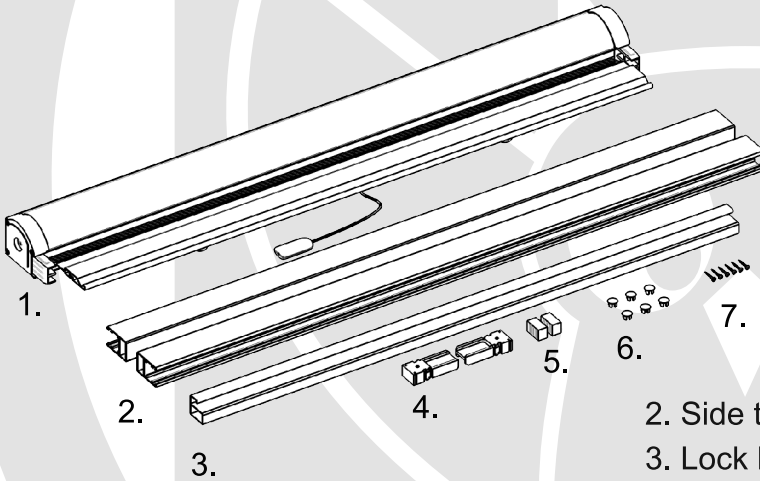
Vertical roller insect screen with lock bar or catch

Insect screen with catches in side tracks.



- 1. Insect screen.
- 2. Side tracks.
- 3. Caps.
- 4. Screws.

Insect screen with lock bar.



- 1. Insect screen.
- 2. Side tracks.
- 3. Lock bar.
- 4. Side track connectors.
- 5. Bottom caps.
- 6. Hole caps.
- 7. Screws.

Measurement - Please specify overall insect screen width and height when ordering.

Fig. 1 Box cross-section.

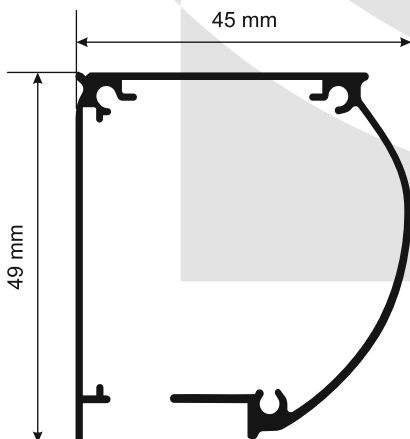


Fig. 2 Straight side track.

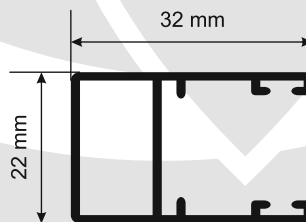
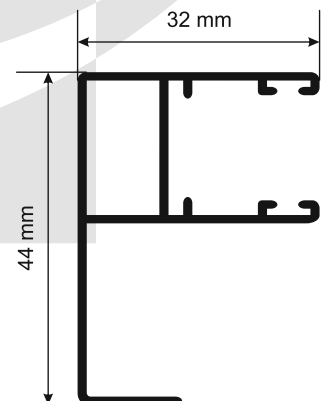
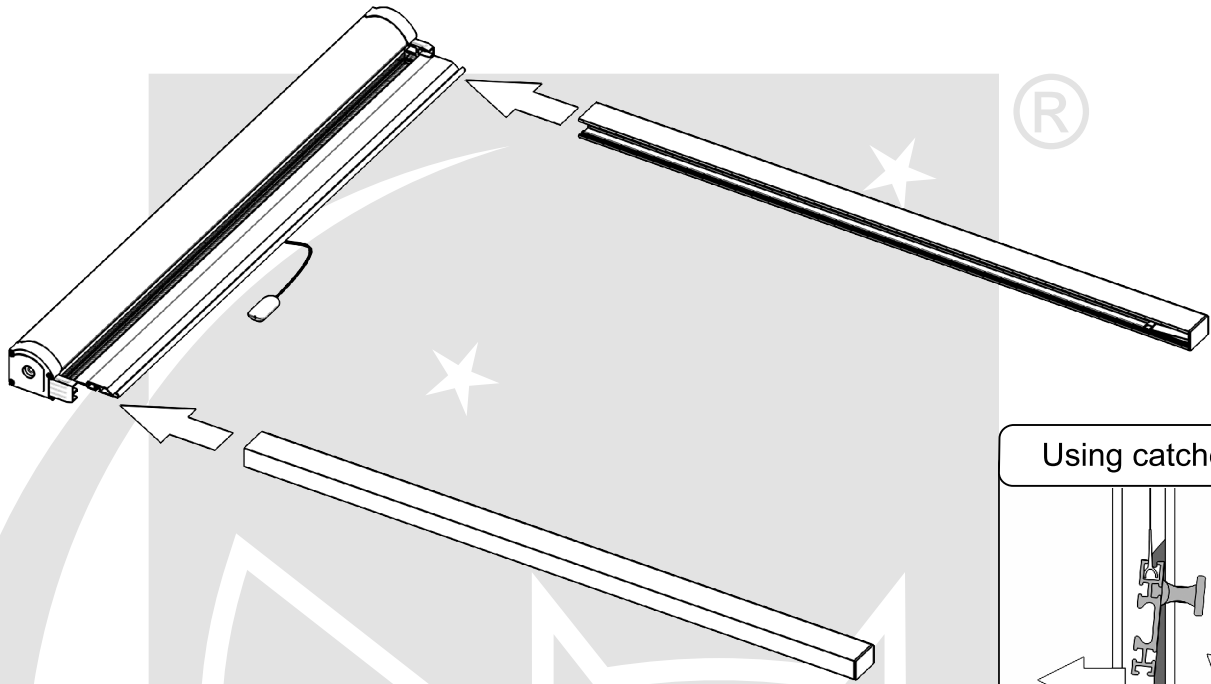


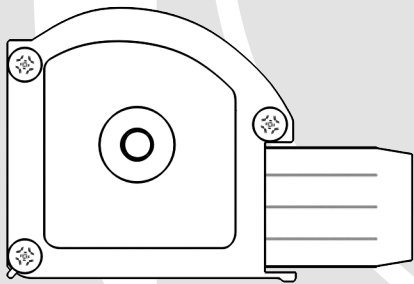
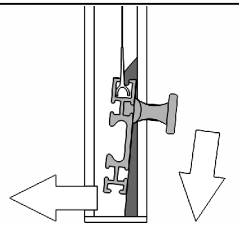
Fig. 3 Side track with shoulder (optional)



Assembling insect screen - catches.



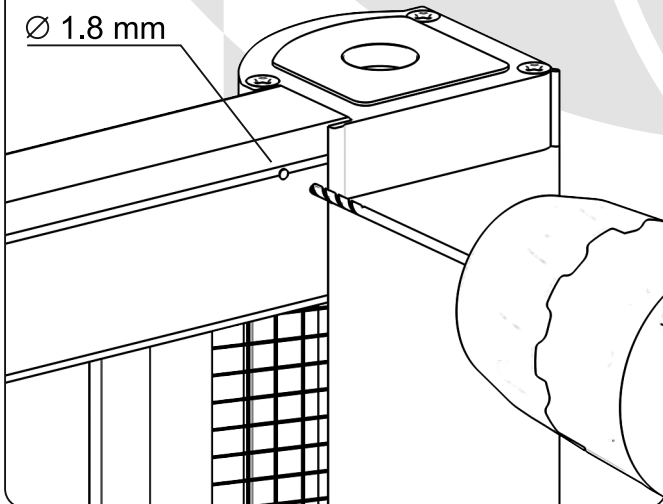
Using catches.



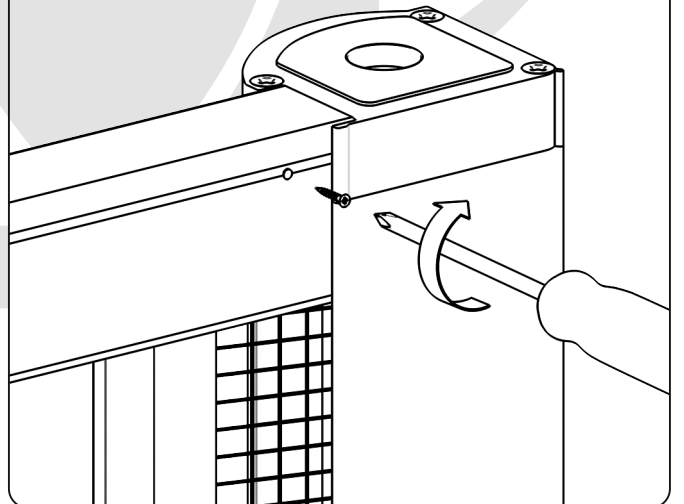
Drilling hole.



Ø 1.8 mm

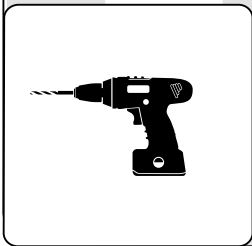
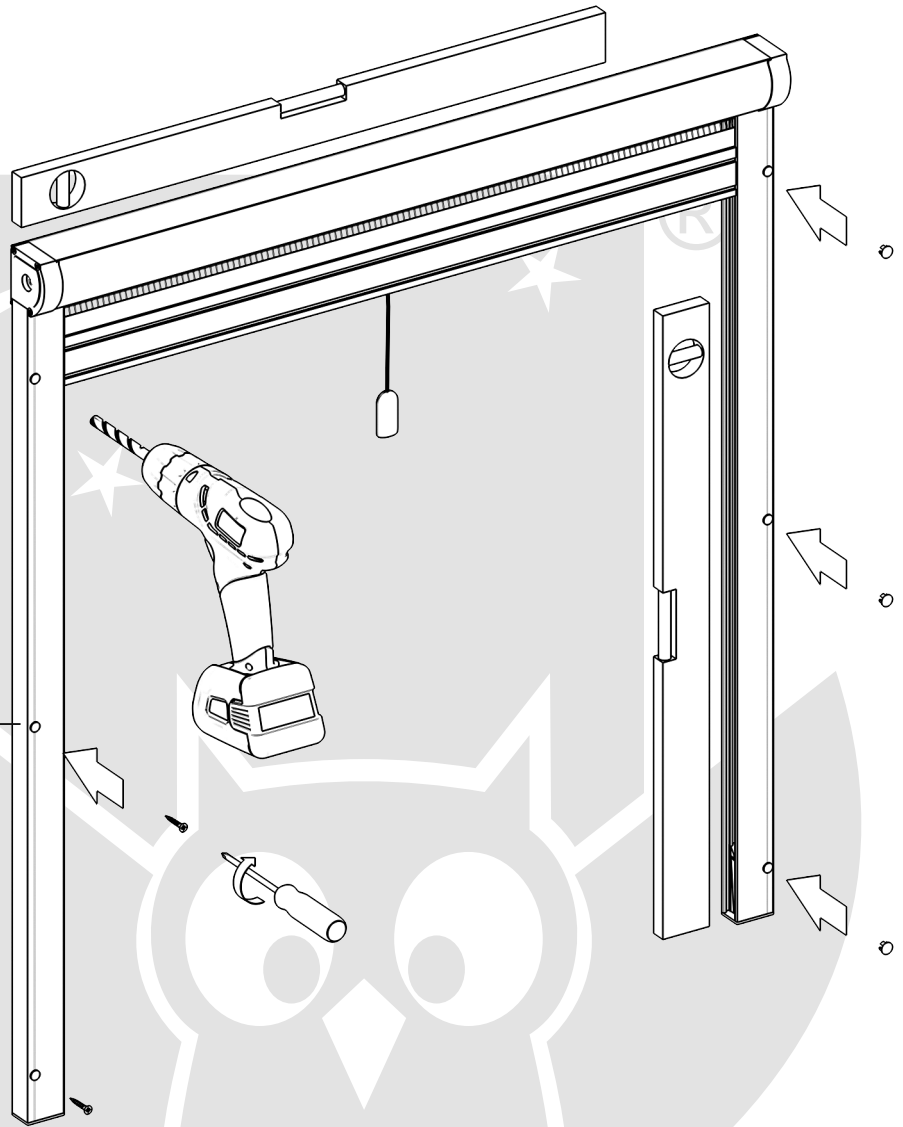
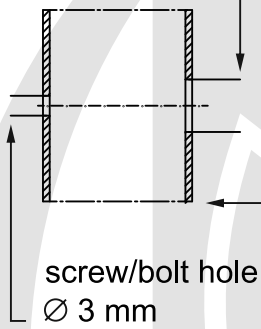


Fastening insect screen.

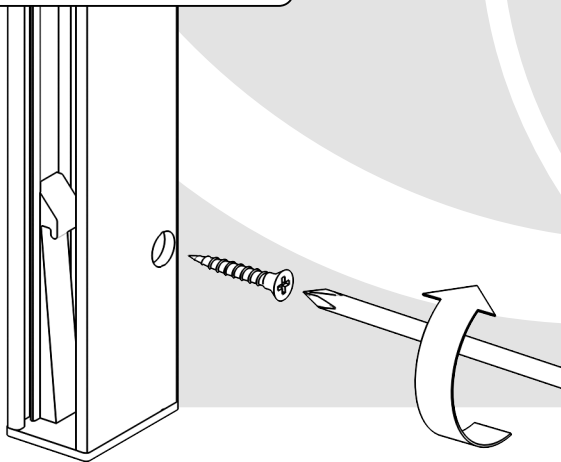


Fastening insect screen.

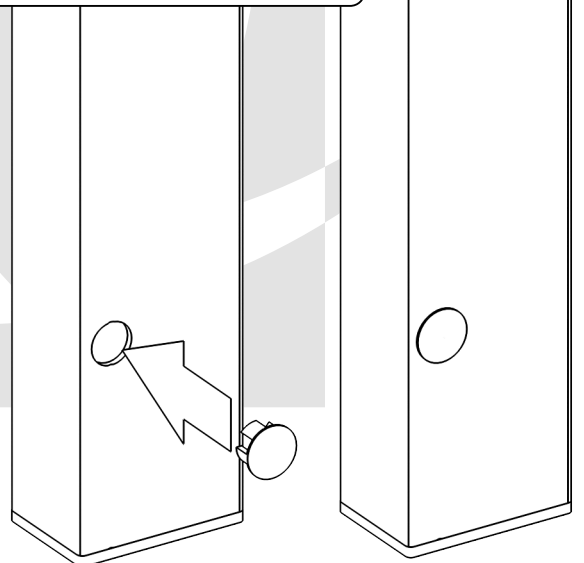
Hole diameters:
cap hole \varnothing 8 mm

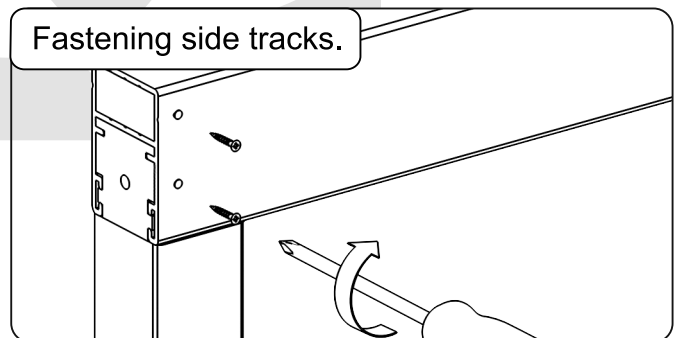
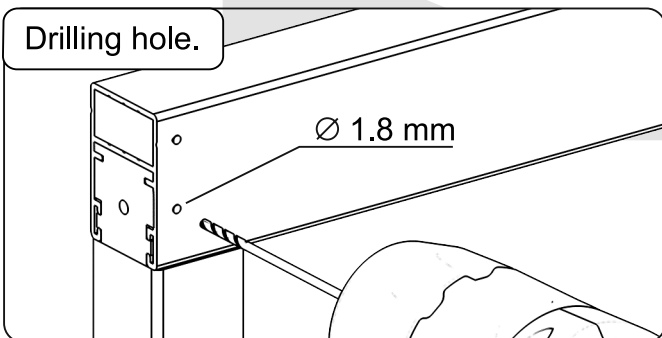
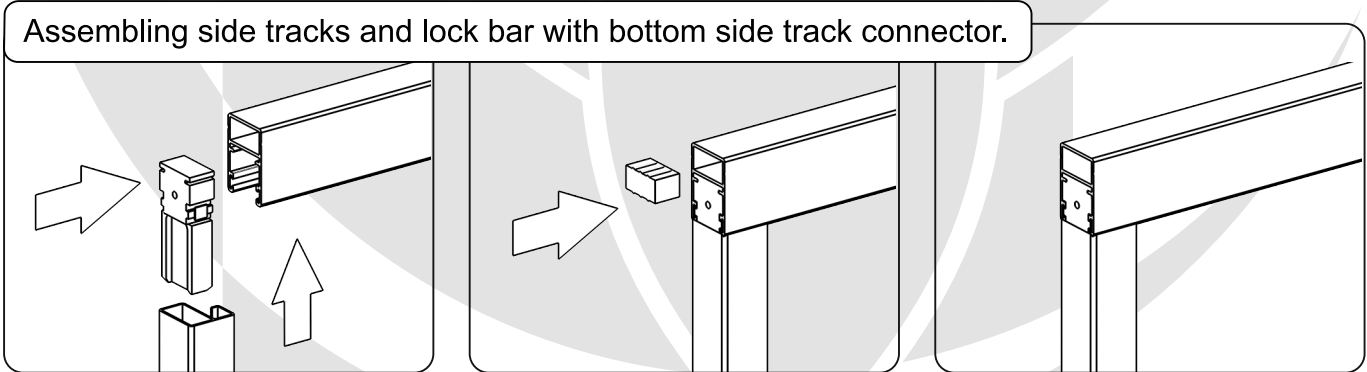
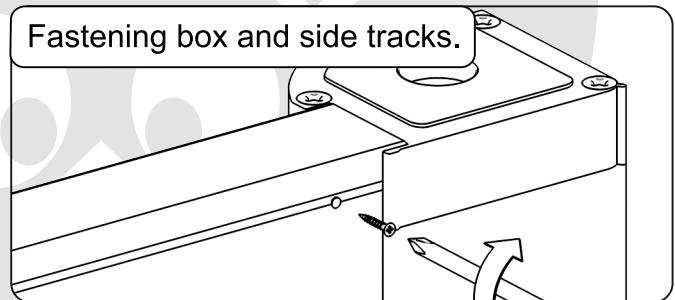
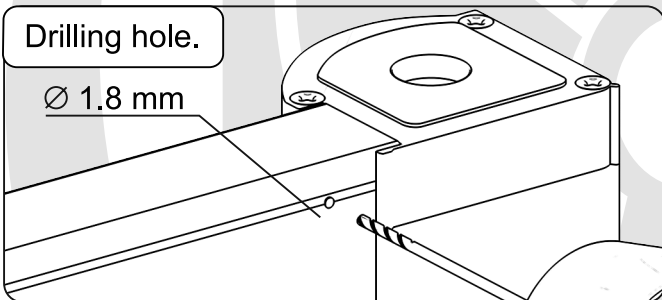
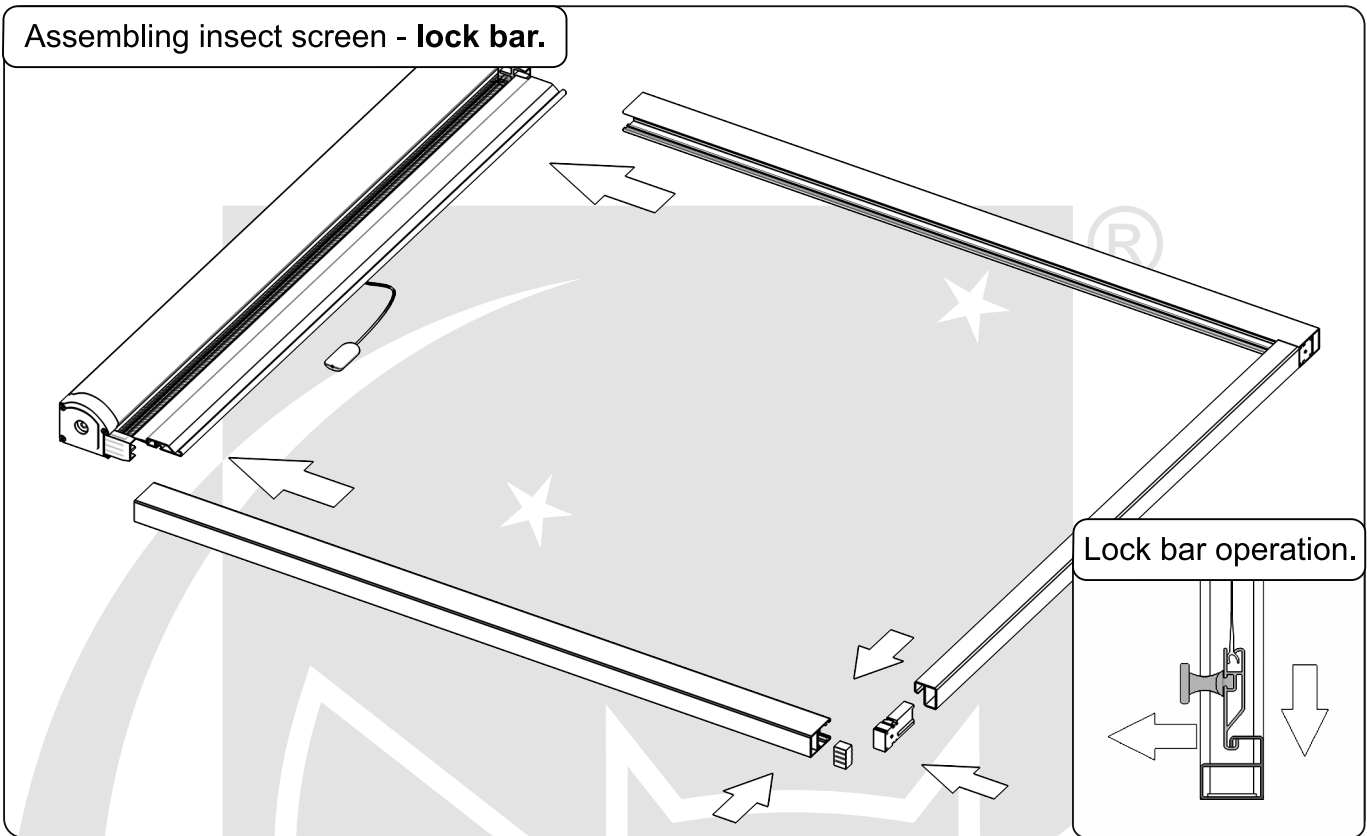


Fastening insect screen.



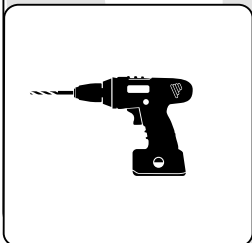
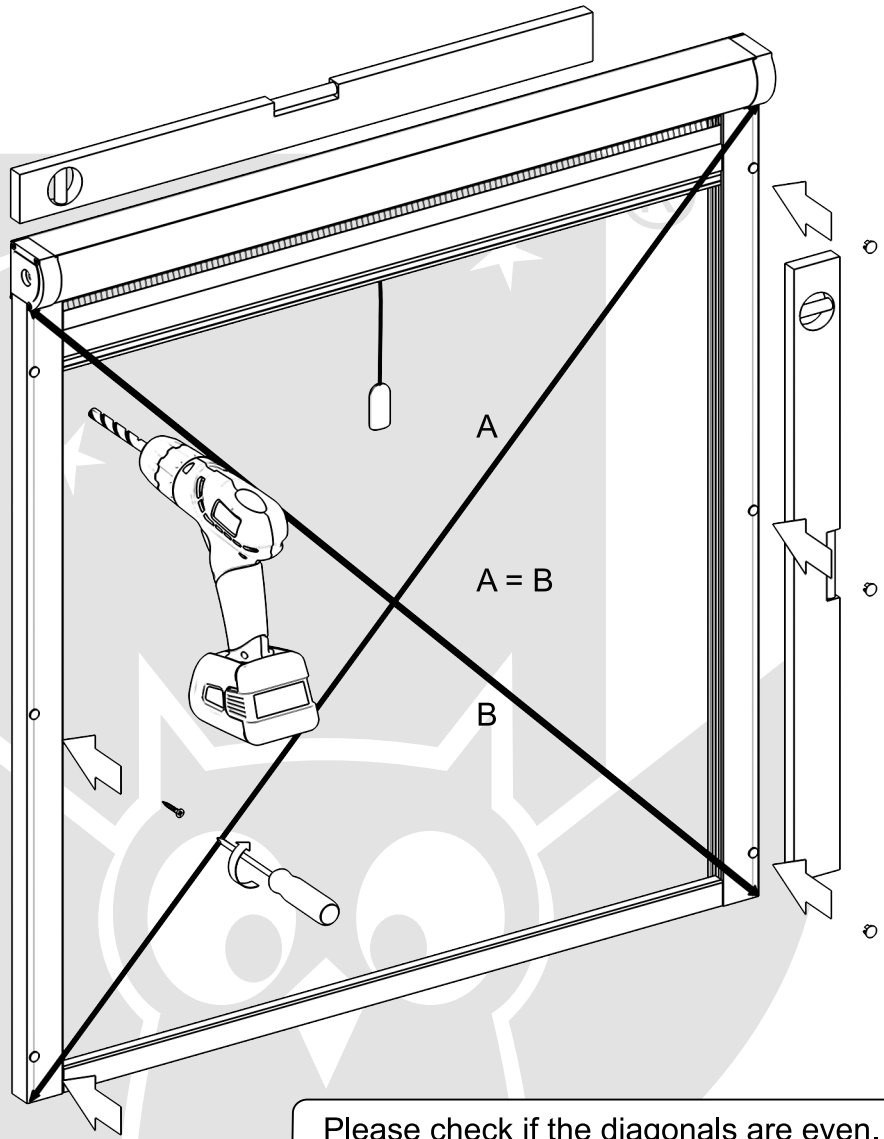
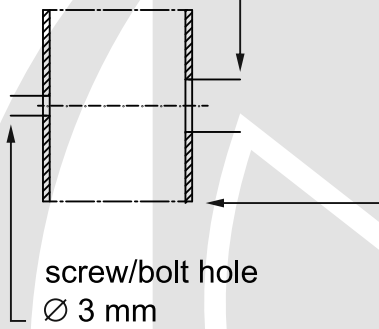
Installing side track caps.



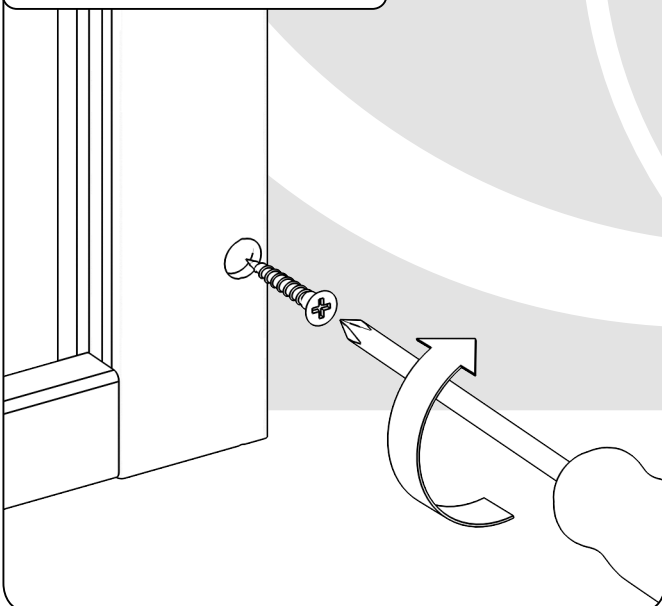


Fastening insect screen.

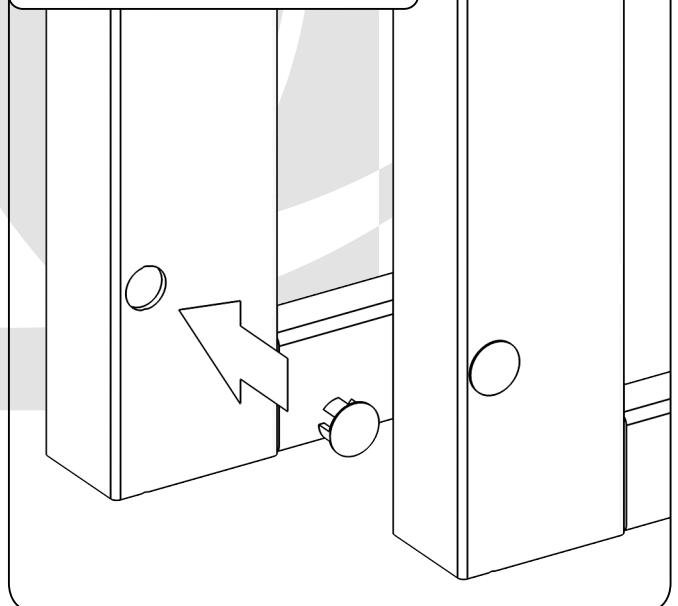
Hole diameters:
cap hole \varnothing 8 mm



Fastening insect screen.



Installing side track caps.





Fart Produkt Sp. z o. o. Sp. k.
ul. Towarowa 3, 87-100 Toruń
tel. +48 56 623 55 77
e-mail: export@fartprodukt.pl
www.fartprodukt.pl