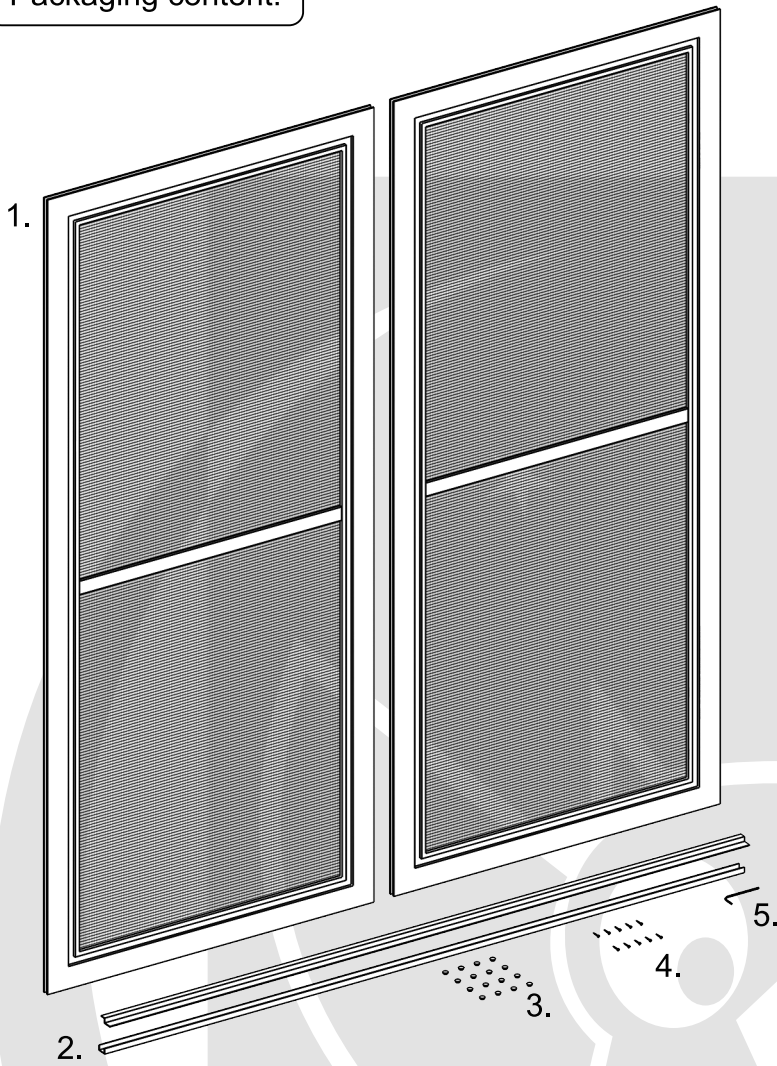




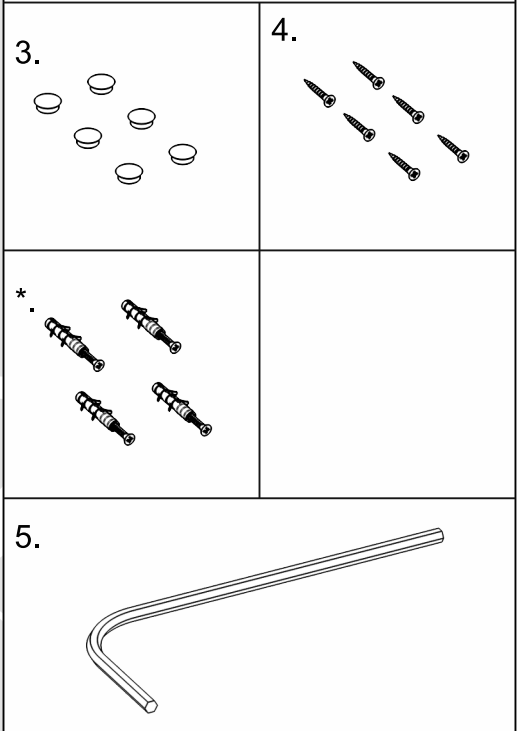
Installation instructions

Sliding insect screen - version 5

Packaging content:



1. Insect screen.
 2. Side tracks.
 3. Side track caps.
 4. Screws (wall plugs*)
 5. Allen key 2 mm.
- * wall plugs – not included, use suitable wall plugs.

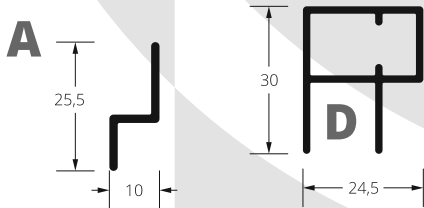


Dimensions given by placing the order:

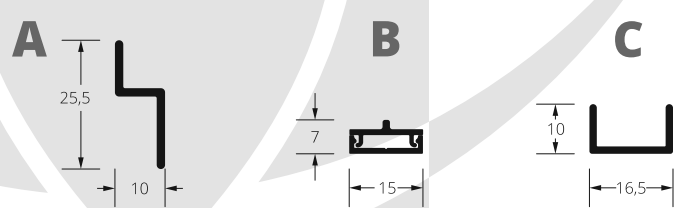
- width of frame
- height of frame
- length of guides.

Guides. Depending on the selected configuration, the delivery may include:

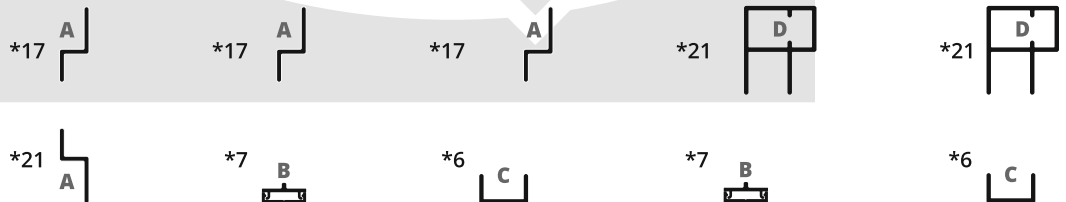
– top:



– bottom:



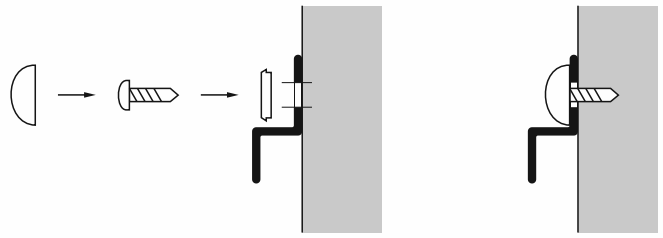
Example guides configuration:



* these are values that should be added to the height of the movable frame to obtain the total height of the insect screen in particular configurations of guides.

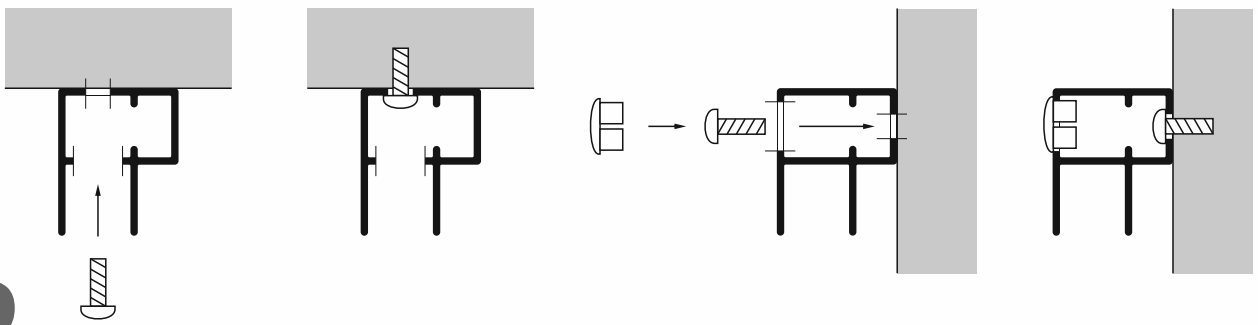
Fastening upper side tracks.

Side track A



A

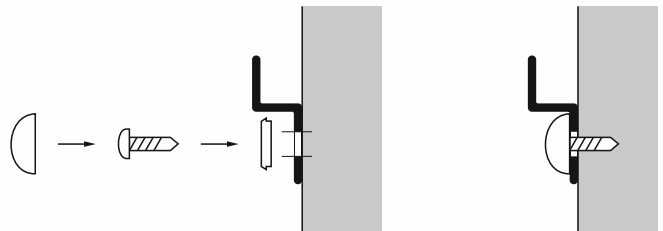
Side track D



D

Fastening lower side tracks.

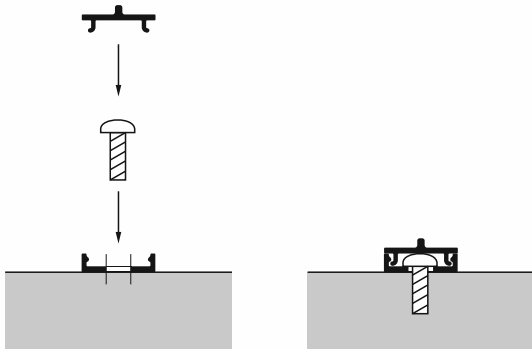
Side track A



A

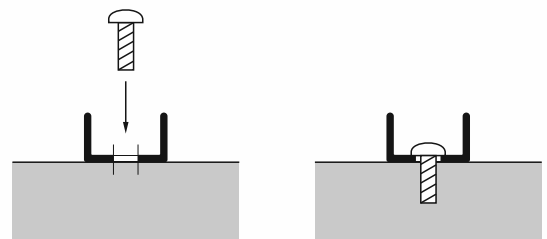
Side track B

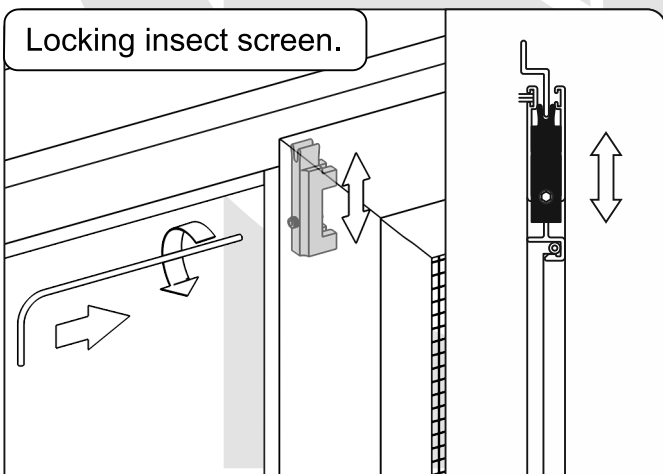
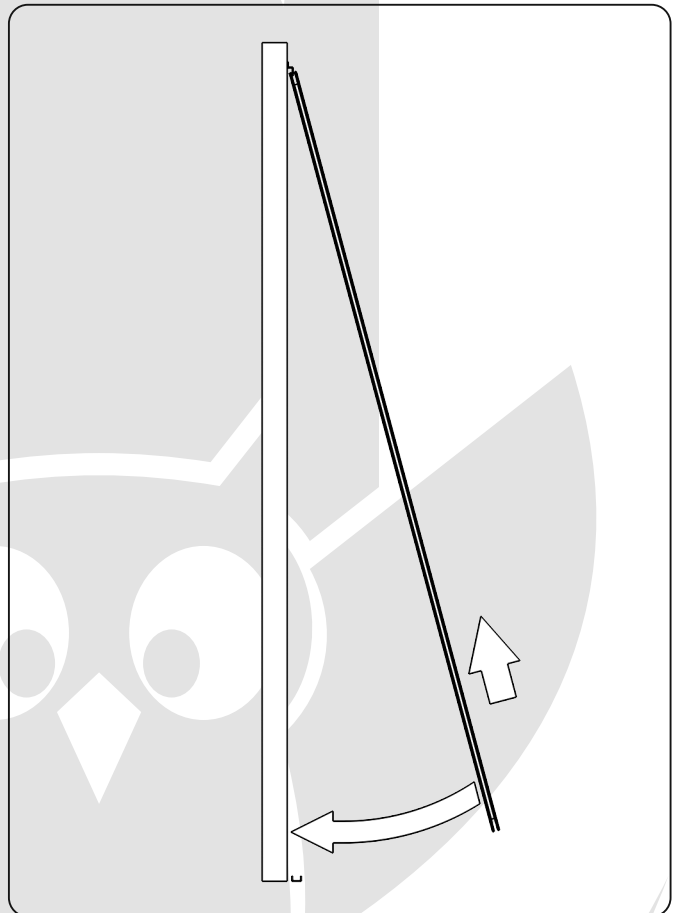
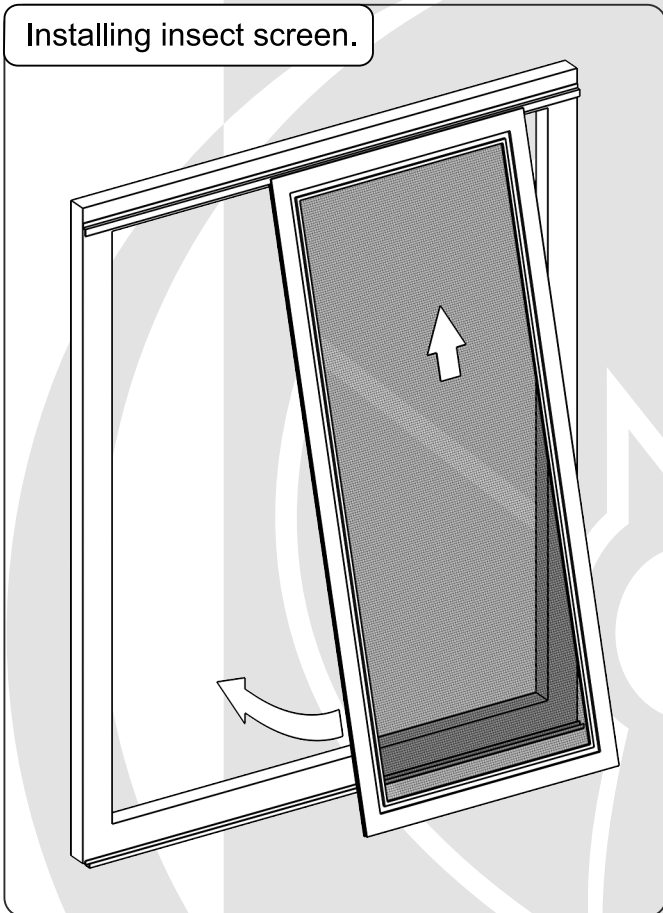
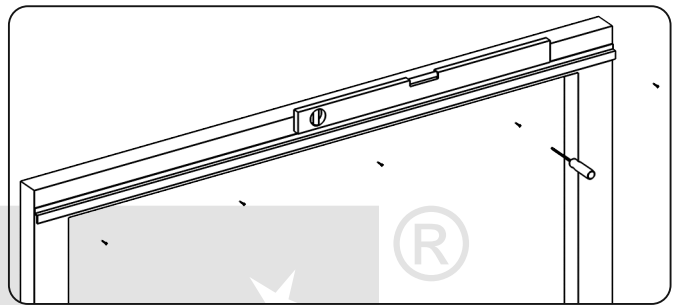
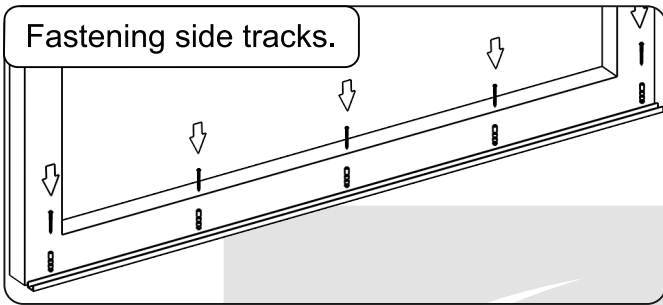
B



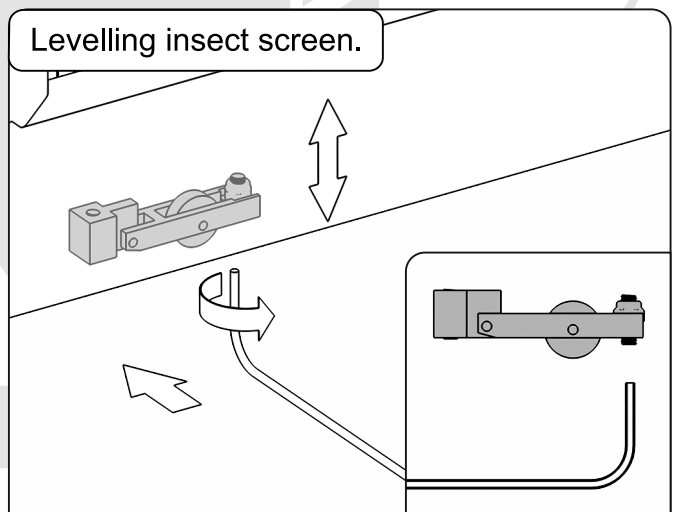
Side track C

C





Lock the insect screen in side tracks using guide element (in top and bottom section of the frame). Keep minimum clearance in relation to the track.



The insect screen inclination is adjusted with a set screw in the track roller with using 2mm key.



Fart Produkt Sp. z o. o. Sp. k.
ul. Towarowa 3, 87-100 Toruń
tel. +48 56 623 55 77
e-mail: export@fartprodukt.pl
www.fartprodukt.pl