

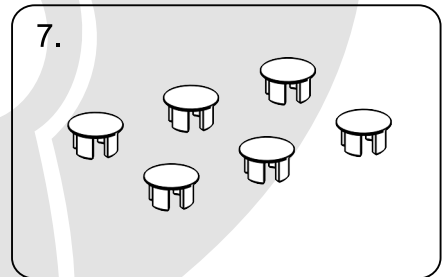
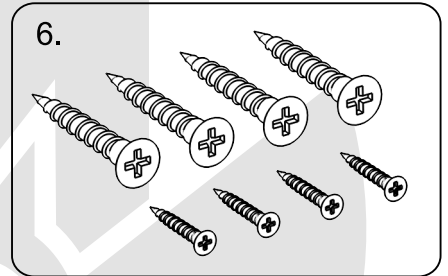
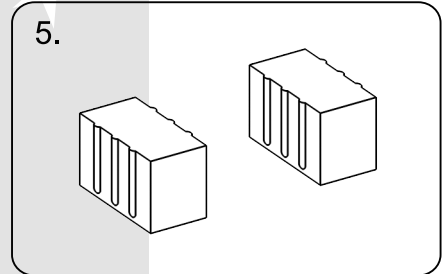
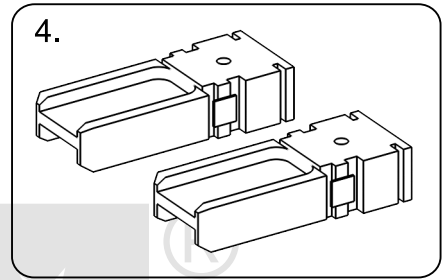
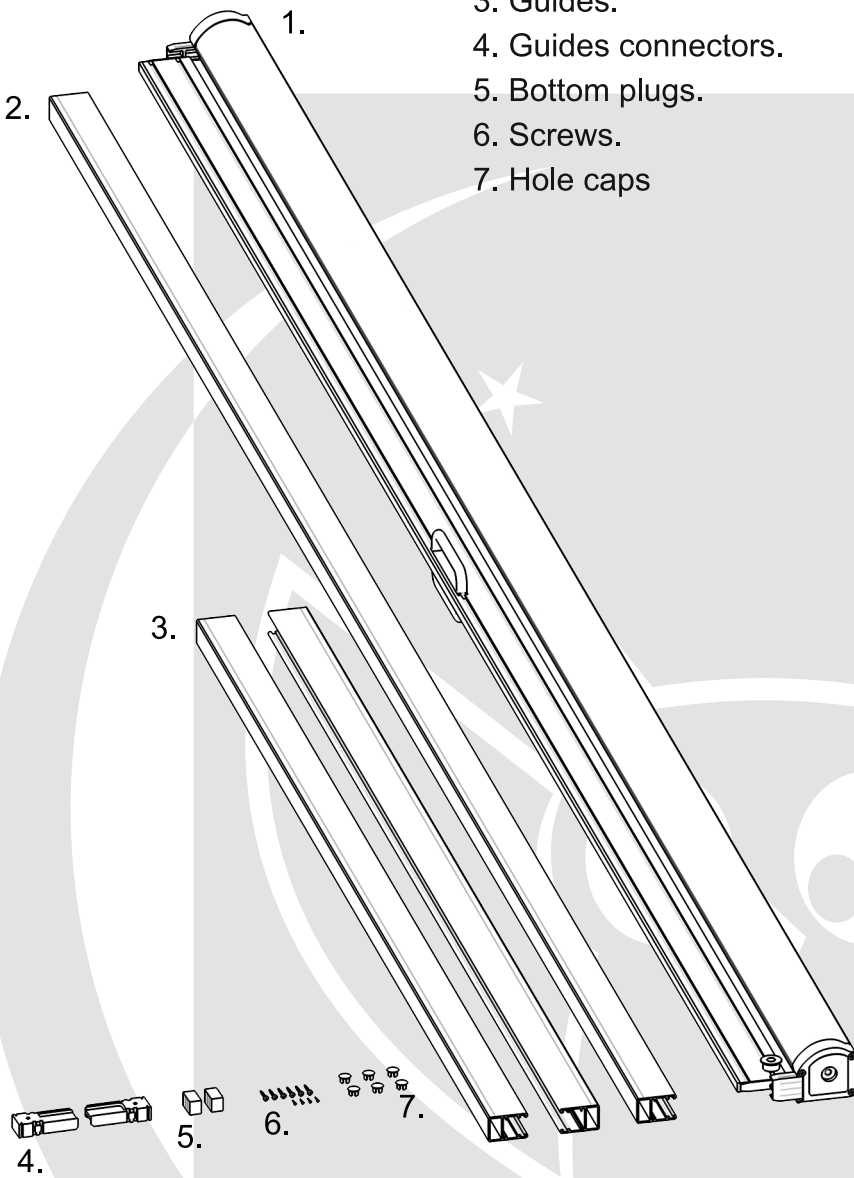


Installation instructions

Single horizontal rolling insect screen

Packaging content:

1. Insect screen.
2. Magnet slat.
3. Guides.
4. Guides connectors.
5. Bottom plugs.
6. Screws.
7. Hole caps



Measurement - Please specify overall insect screen width and height when ordering.

Fig. 1 Box cross-section.

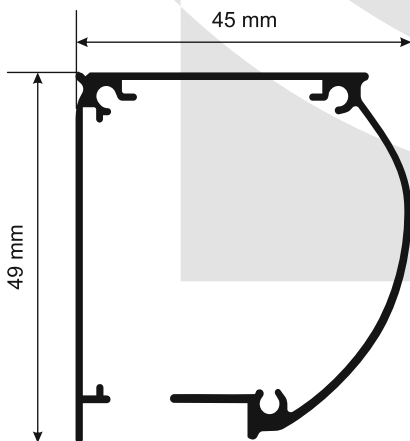


Fig. 2 Straight side track.

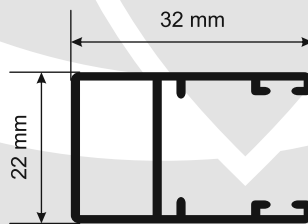
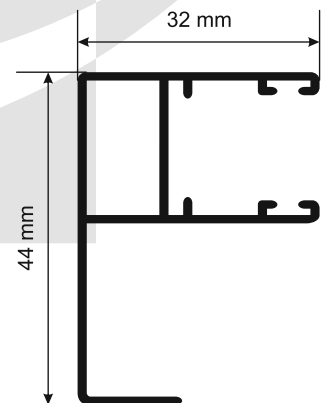
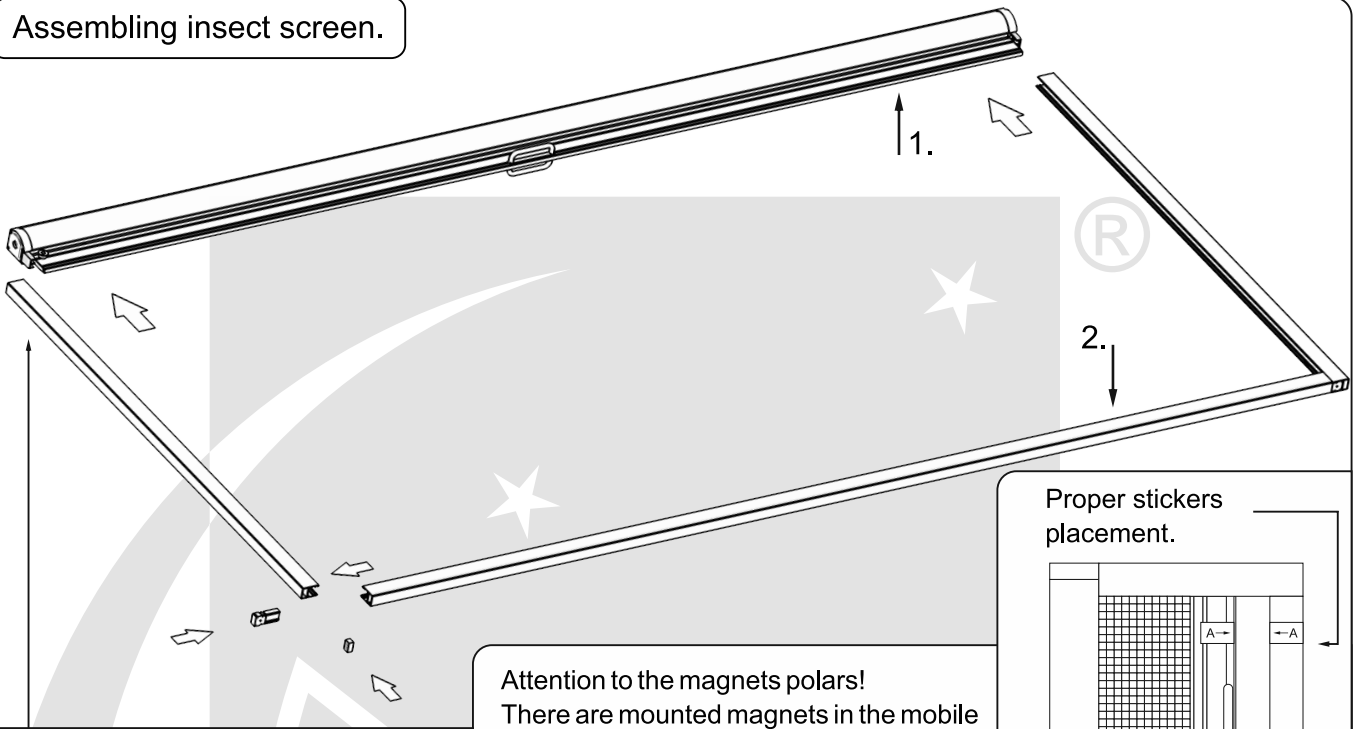


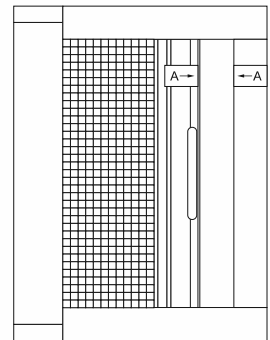
Fig. 3 Side track with shoulder (optional).



Assembling insect screen.

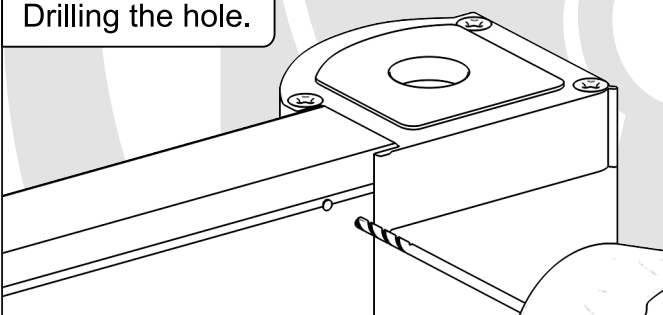


Proper stickers placement.

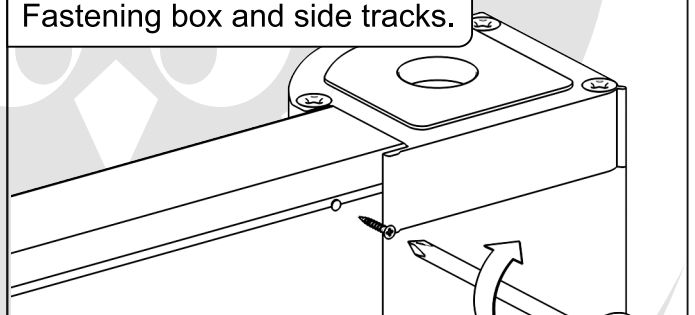


Attention to the magnets polars!
There are mounted magnets in the mobile bar 1. and in the side bar 2. Before fixing the mosquito net, check that the magnets are attracted correctly. For ease of mounting, there are affixed stickers on both bars showing the correct assembly.

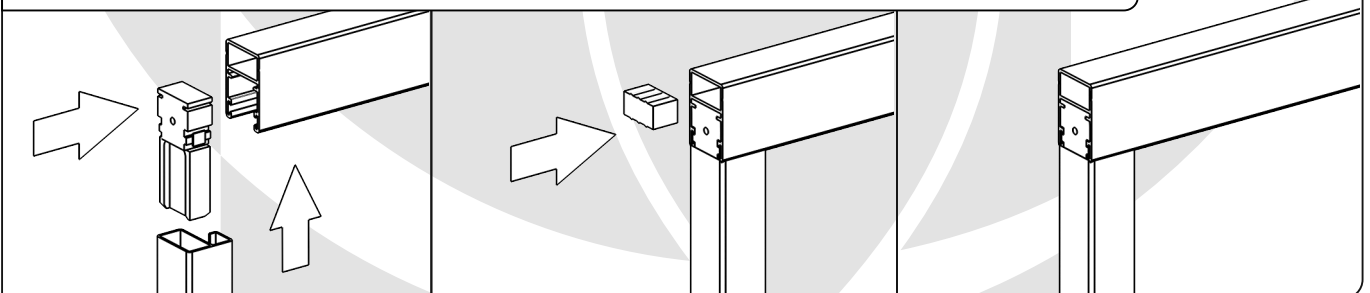
Drilling the hole.



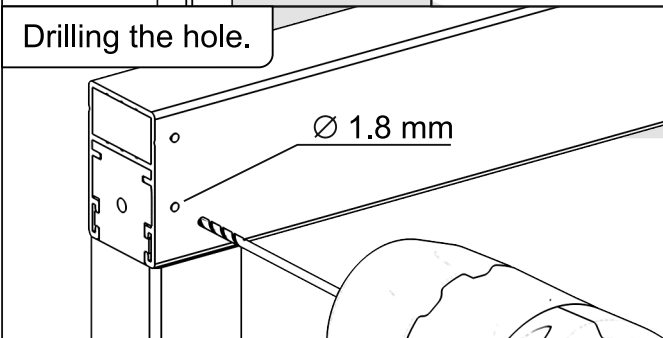
Fastening box and side tracks.



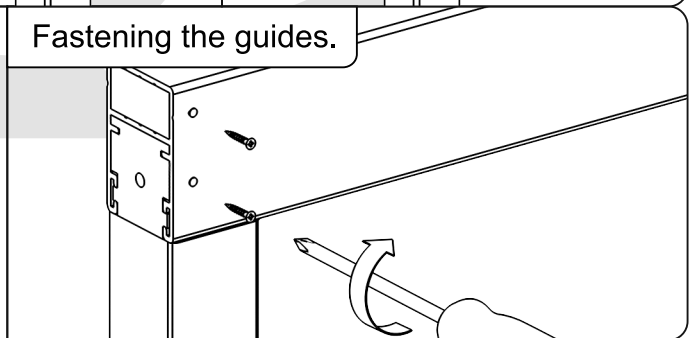
Assemblage of guides and hook-guide with guides-connector of bottom plugs.



Drilling the hole.

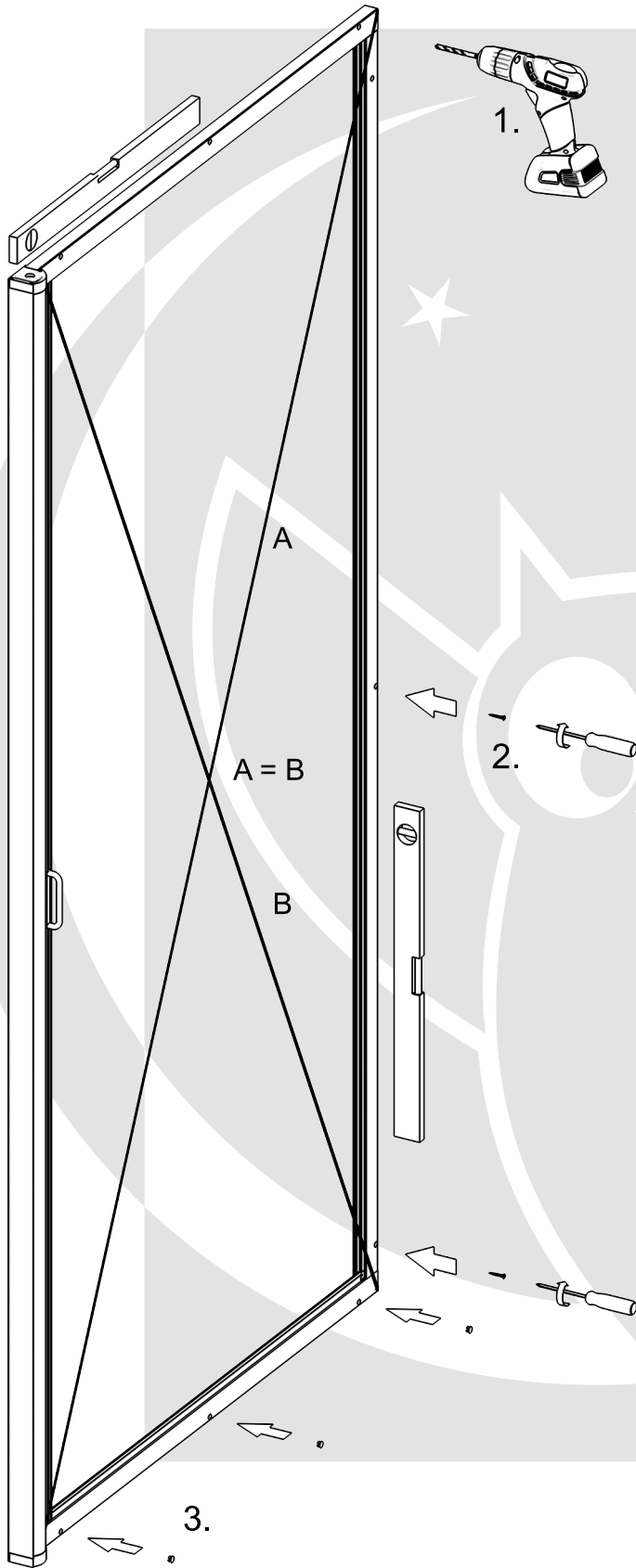
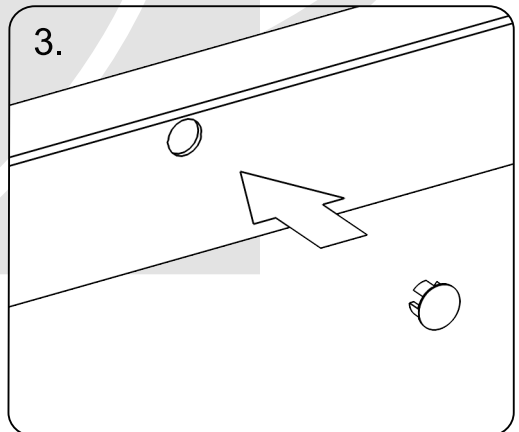
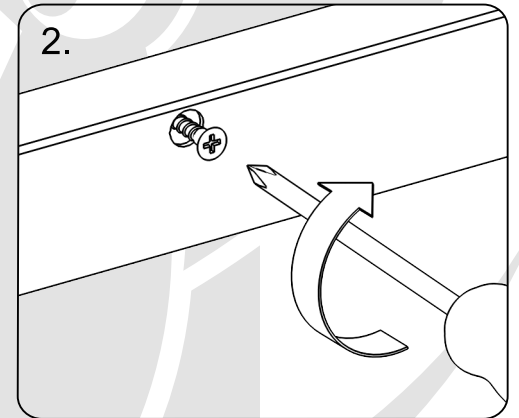
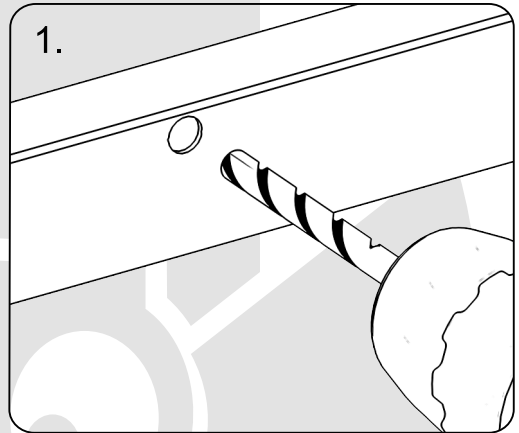
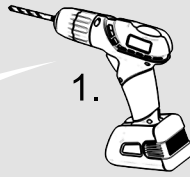
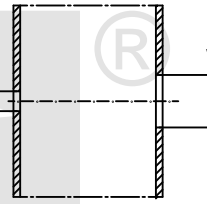


Fastening the guides.



Fastening insect screen.

Hole diameters:
cap hole \varnothing 8 mm





Fart Produkt Sp. z o. o. Sp. k.
ul. Towarowa 3, 87-100 Toruń
tel. +48 56 623 55 77
e-mail: export@fartprodukt.pl
www.fartprodukt.pl