



## Installation instructions

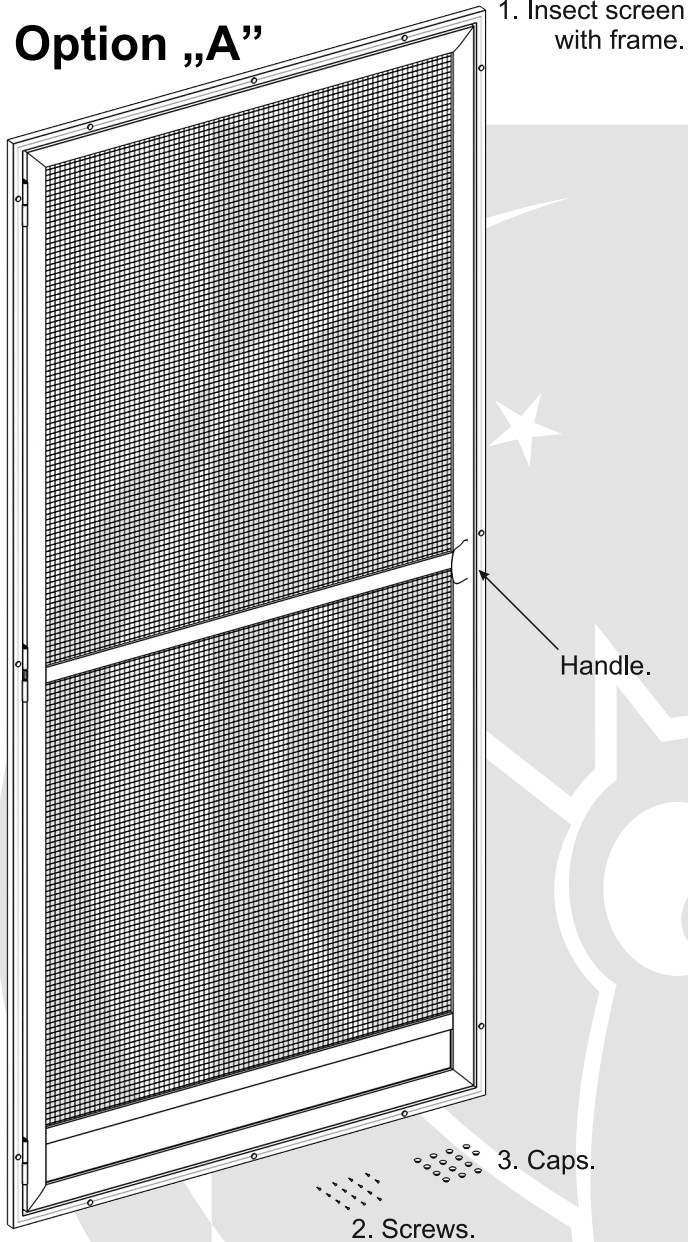
---

Framed door insect screen type 2 with casing  
– option **A** (Operated by handle)

Framed door insect screen type 2 with casing  
– option **B** (Operated by crossbar)

Packaging content (A):

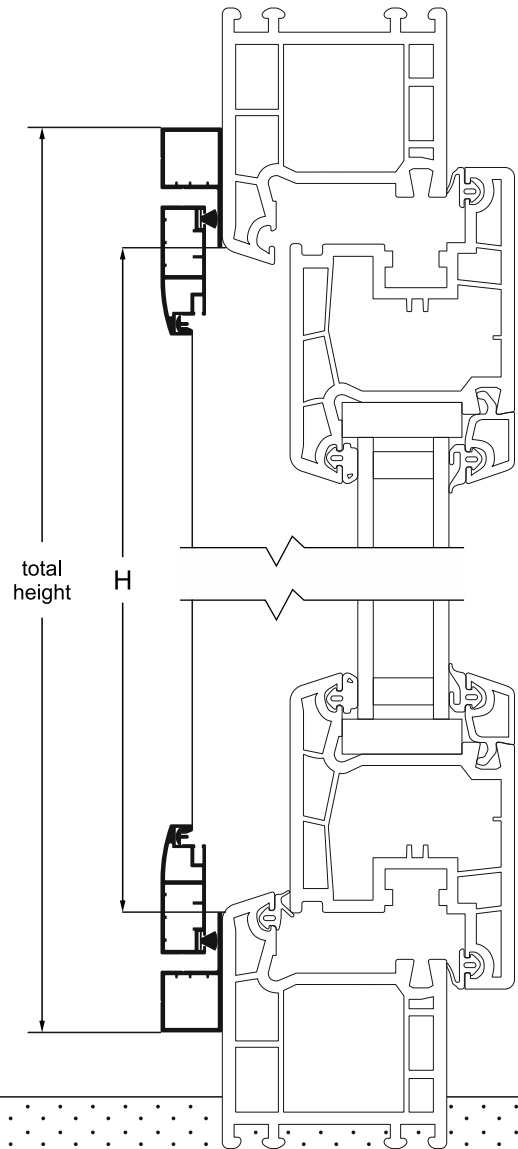
Option „A”



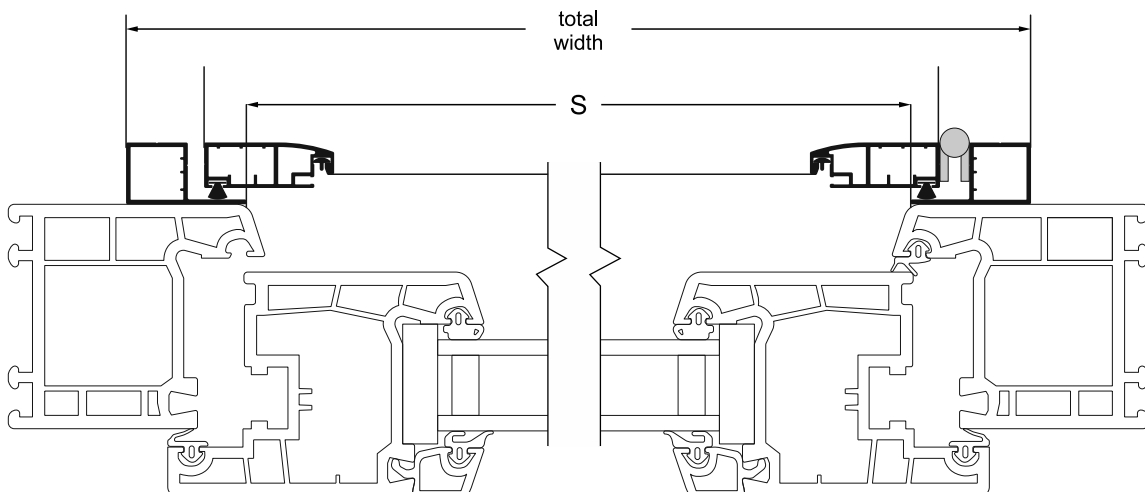
Measurements.

Total height = ordering dimension.

Total height =  $H + \text{min. } 74 \text{ mm}$ .

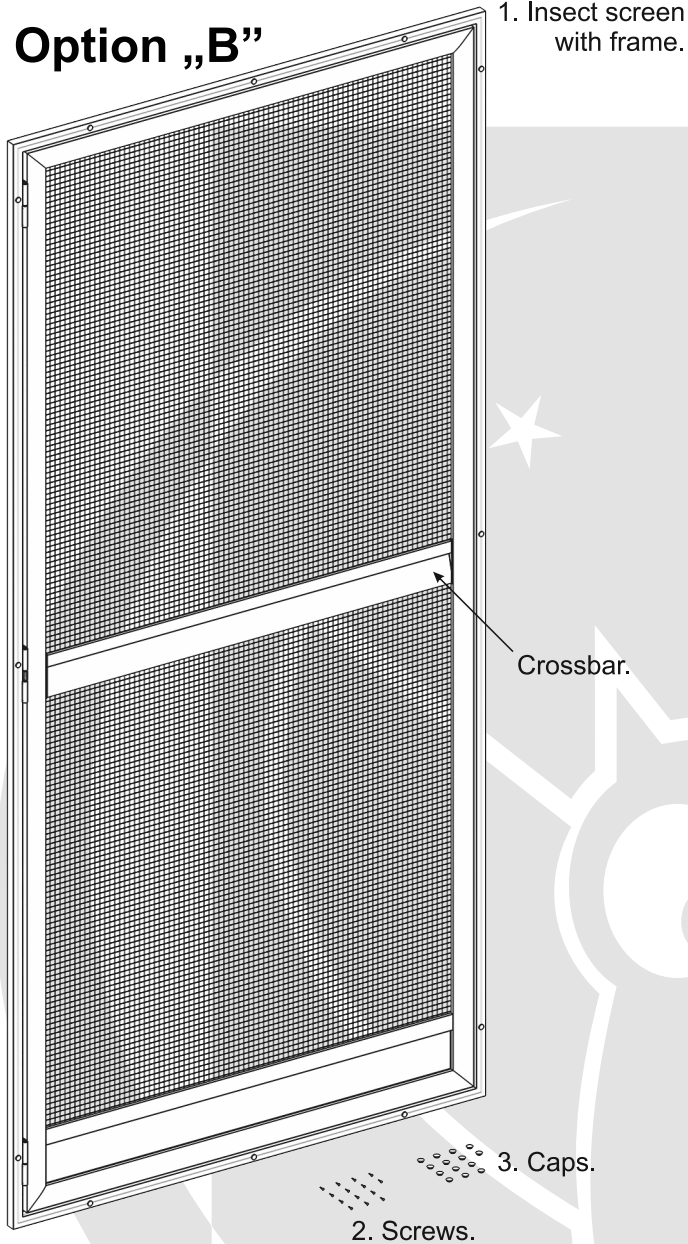


Measurements. Total width = ordering dimension. Total width =  $S + \text{min. } 74 \text{ mm}$ .



Packaging content (B):

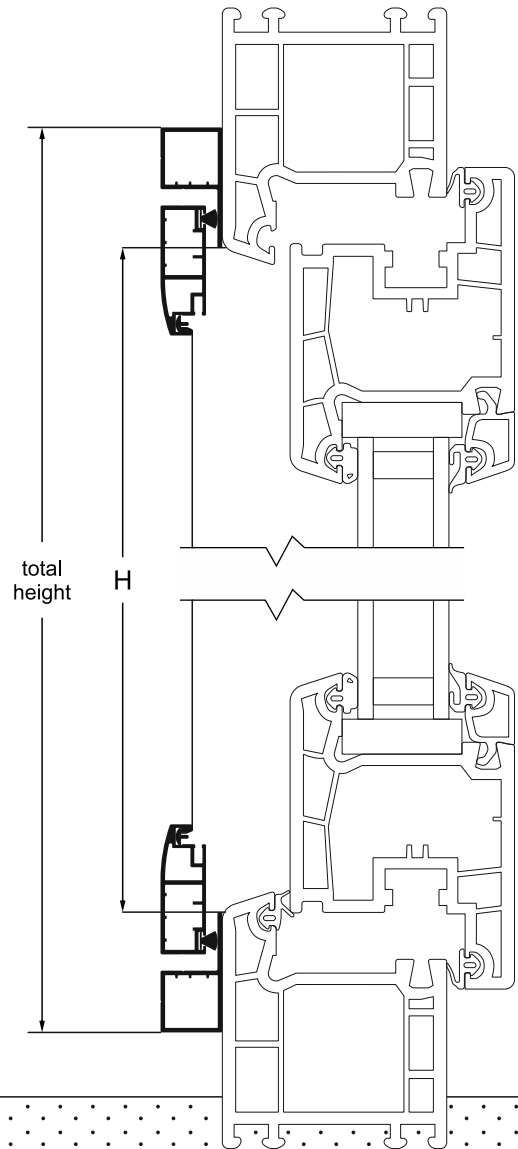
Option „B”



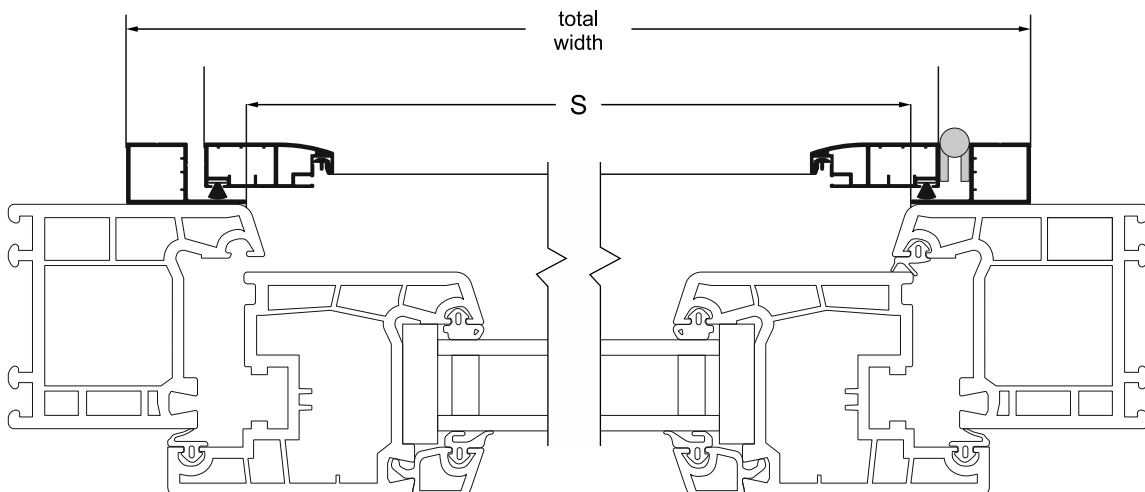
Measurements.

Total height = ordering dimension.

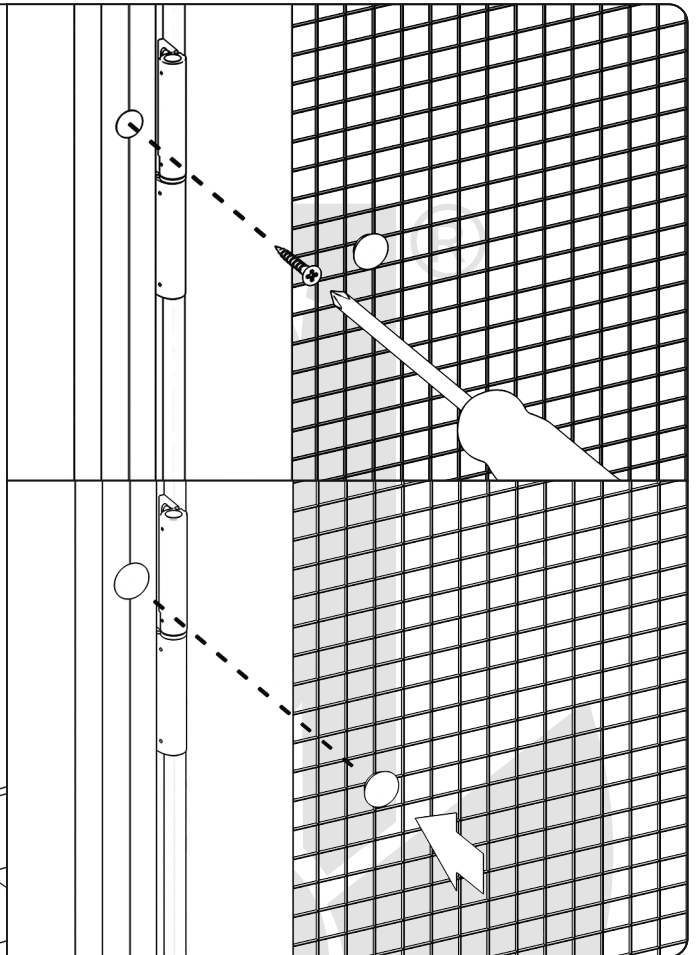
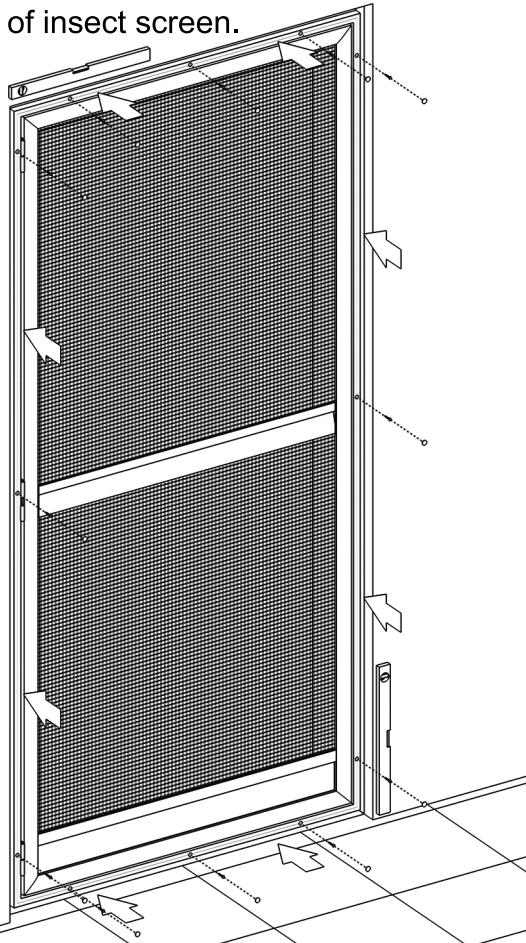
Total height = H + min. 74 mm.



Measurements. Total width = ordering dimension. Total width = S + min. 74 mm.



Montage of insect screen.



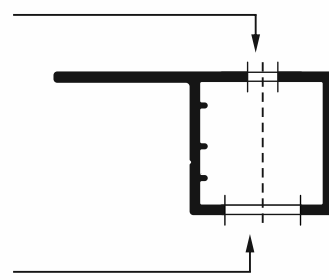
Surface mounting.

Before mounting of the frame, drill the holes in guide channels. When the screen is surface mounted- holes must be drilled on the front of guide channel (pic.).

Diameter:

3,5 mm hole for screw

10 mm hole for hole cap



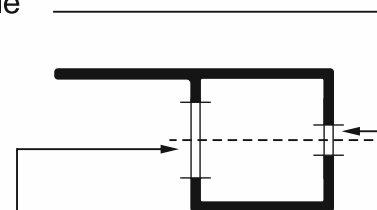
Mounting in recess.

Before mounting of the frame, drill the holes in guide channels. When the screen is mounted in recess – the holes must be drilled on the side of guide channel (pic.).

Diameter:

3,5 mm hole for screw

10 mm hole for hole cap





Fart Produkt Sp. z o. o. Sp. k.  
ul. Towarowa 3, 87-100 Toruń  
tel. +48 56 623 55 77  
e-mail: [export@fartprodukt.pl](mailto:export@fartprodukt.pl)  
[www.fartprodukt.pl](http://www.fartprodukt.pl)