



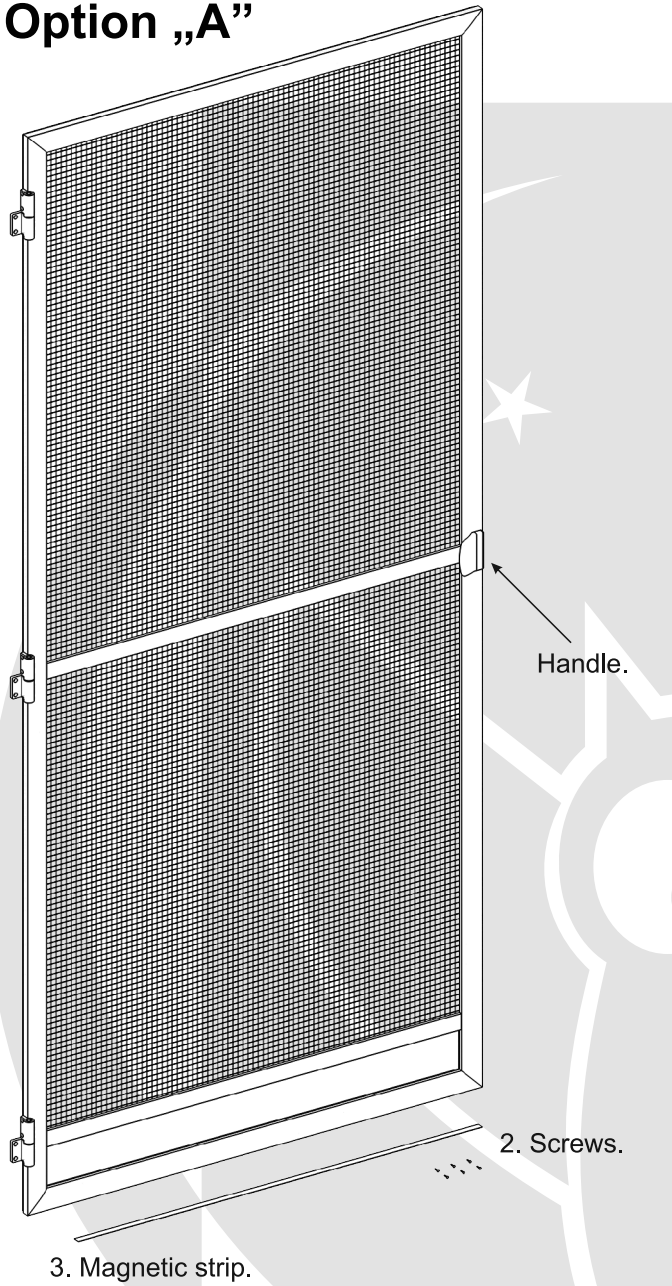
Installation instructions

Framed door insect screen type 2 – option **A**.
(Operated by handle)

Framed door insect screen type 2 – option **B**.
(Operated by crossbar)

Packaging content (A):

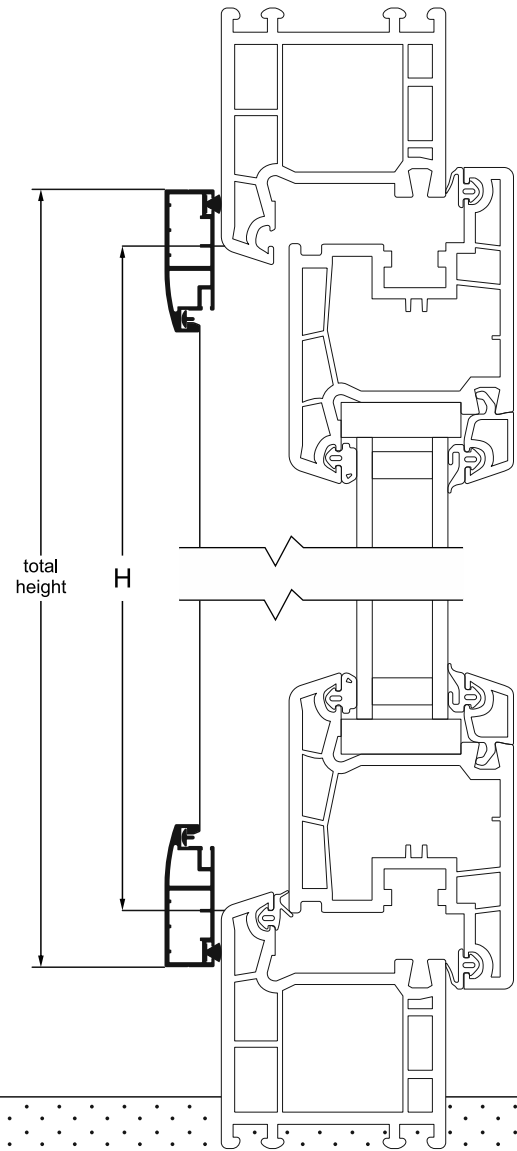
Option „A”



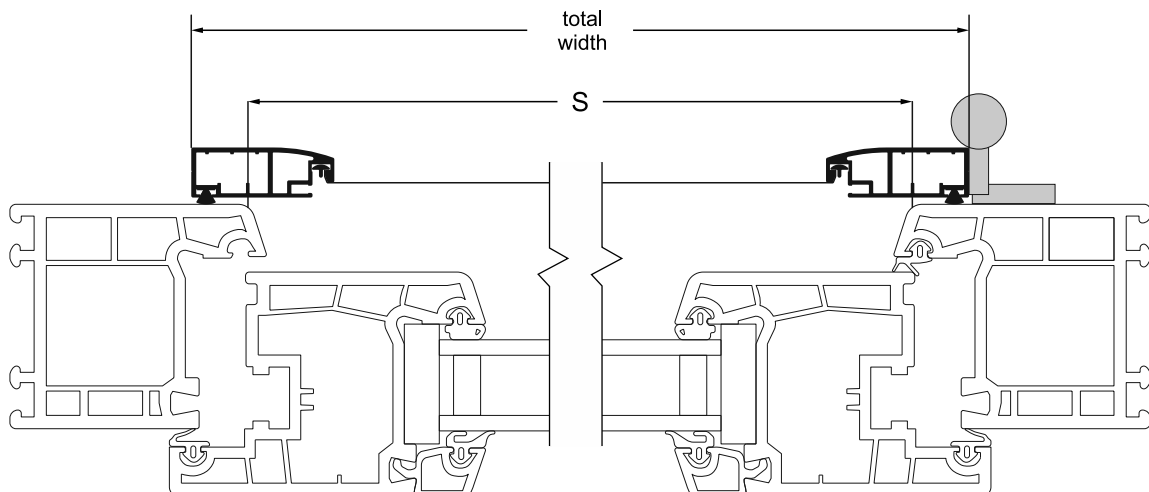
Measurements.

Total height = ordering dimension.

Total height = H + min. 20 mm.

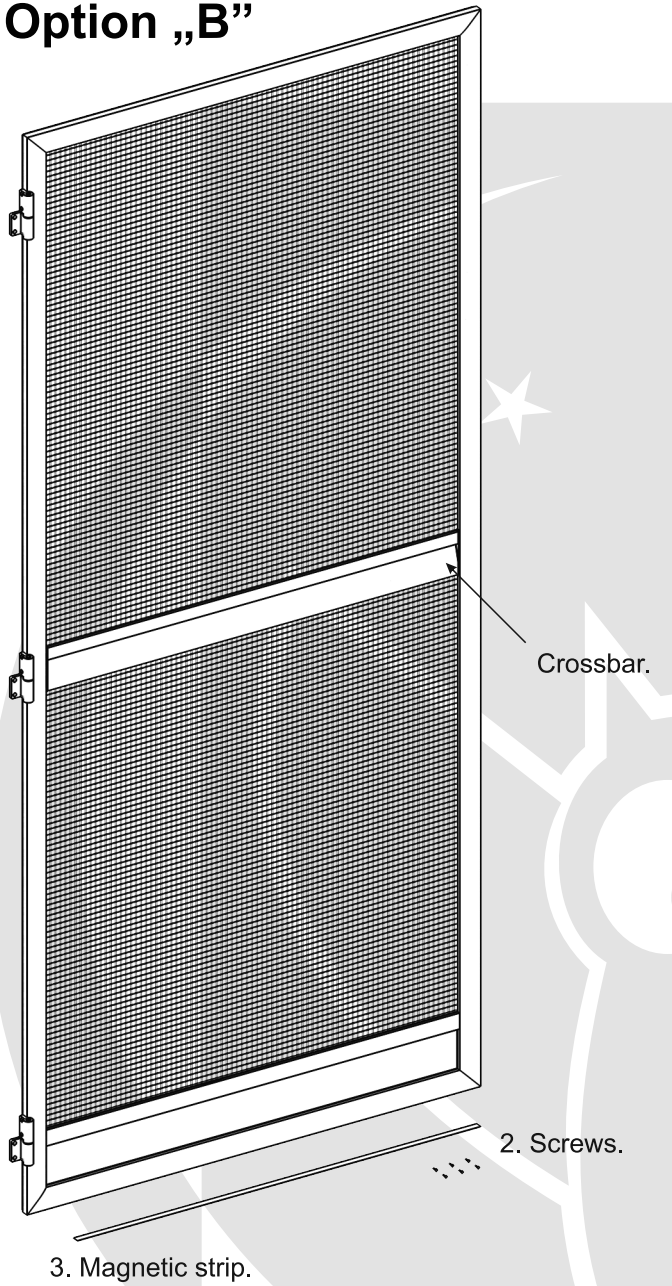


Measurements. Total width = ordering dimension. Total width = S + min. 20 mm.



Packaging content (B):

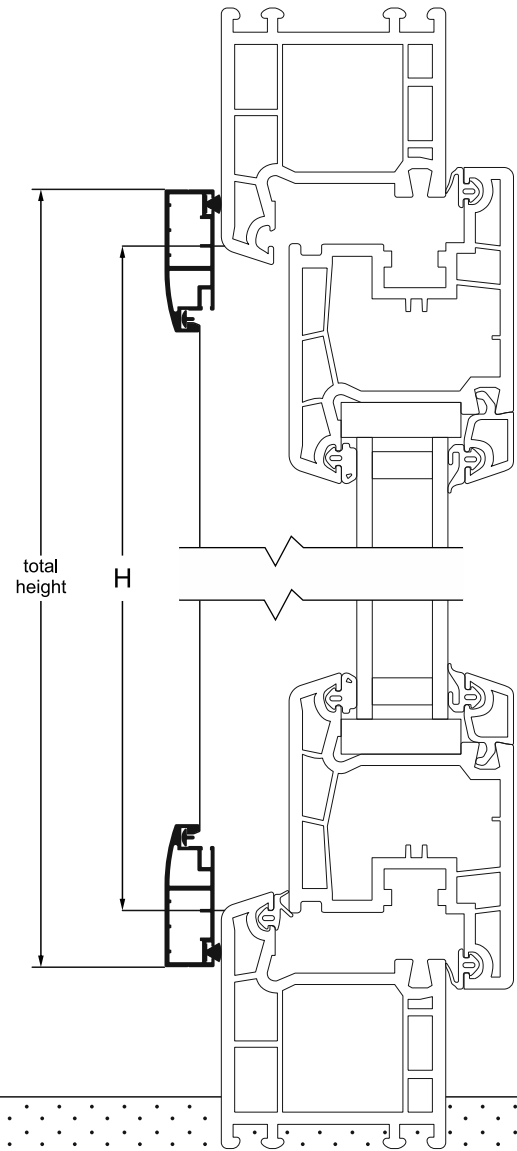
Option „B”



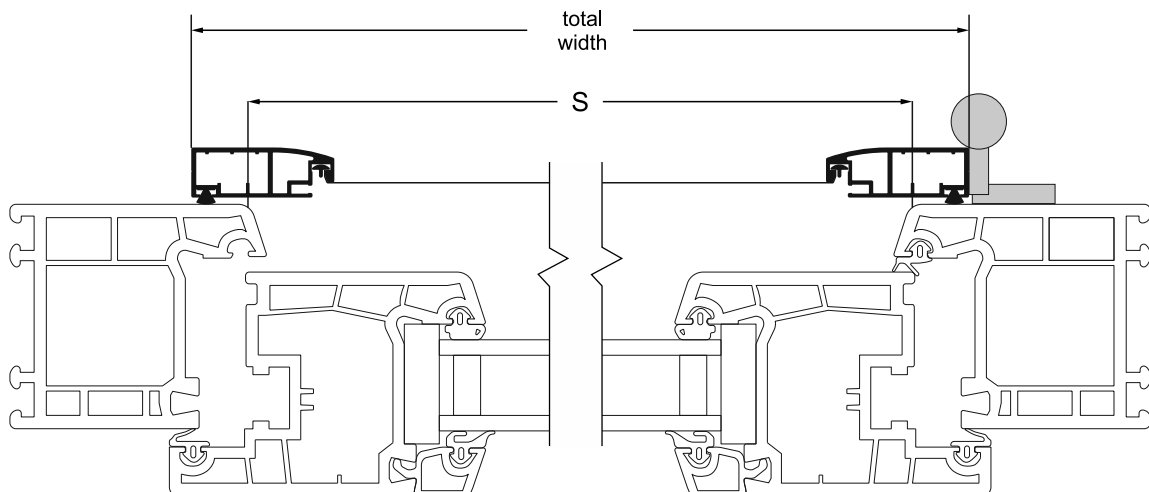
Measurements.

Total height = ordering dimension.

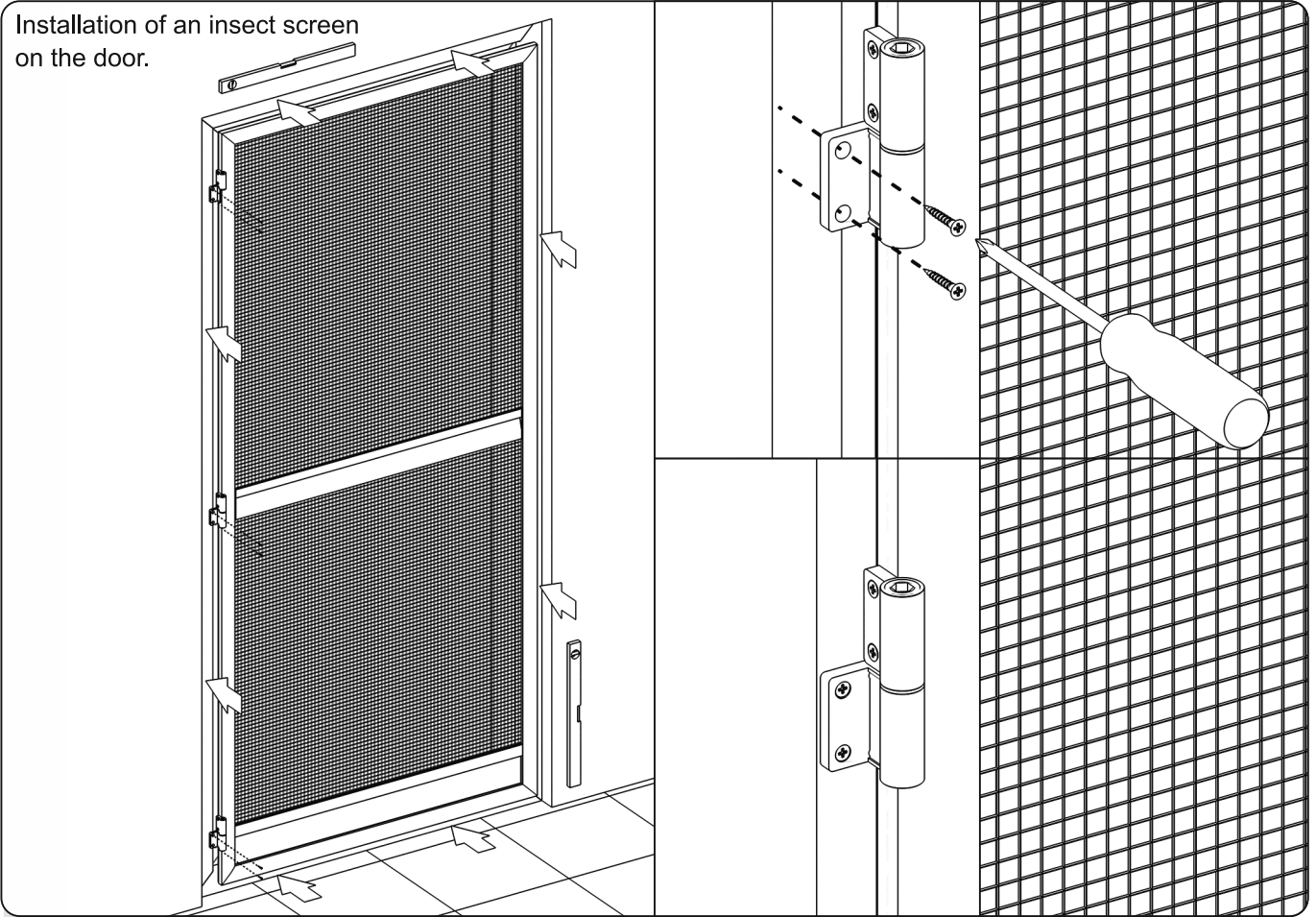
Total height = H + min. 20 mm.



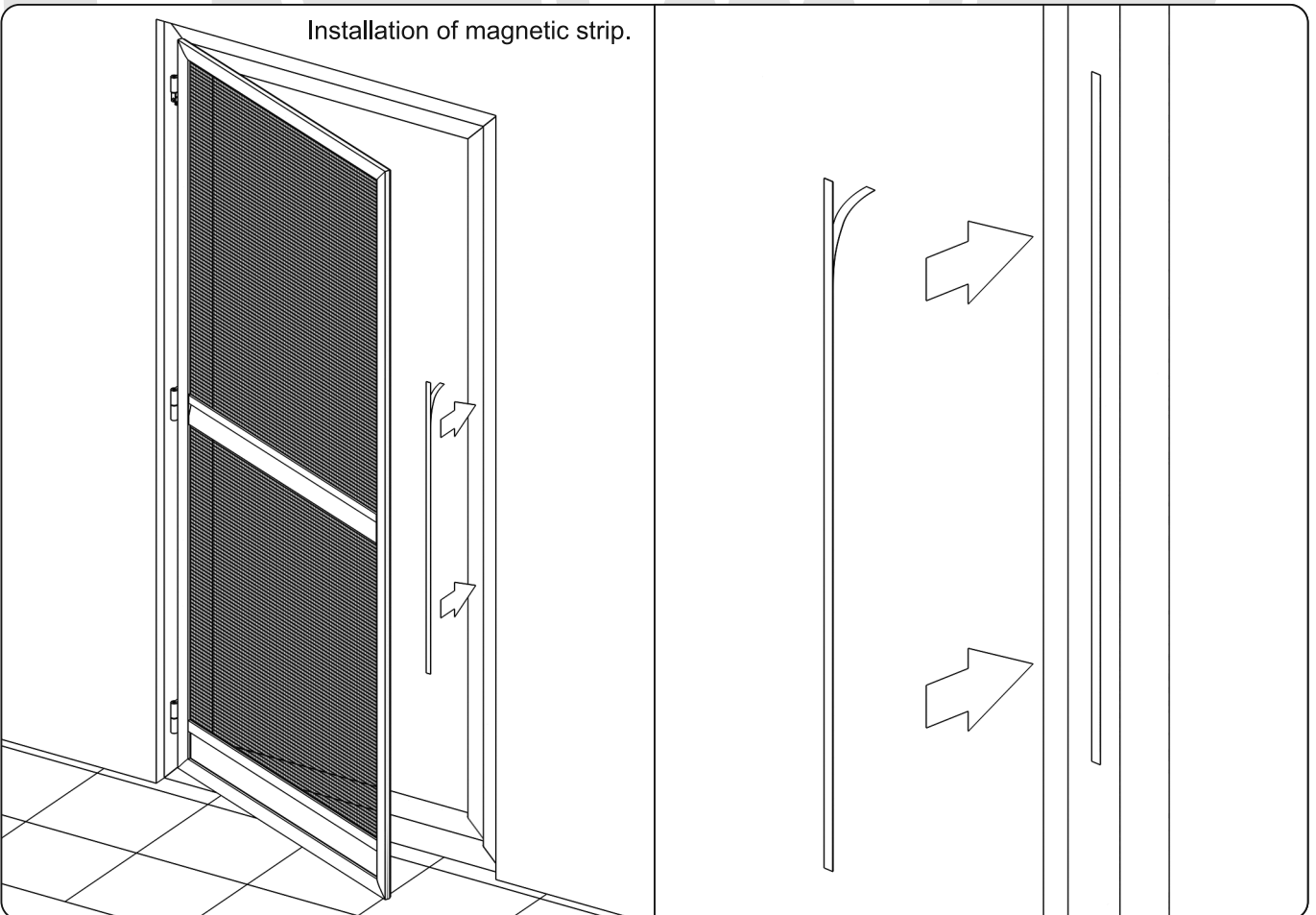
Measurements. Total width = ordering dimension. Total width = S + min. 20 mm.



Installation of an insect screen on the door.



Installation of magnetic strip.





Fart Produkt Sp. z o. o. Sp. k.
ul. Towarowa 3, 87-100 Toruń
tel. +48 56 623 55 77
e-mail: export@fartprodukt.pl
www.fartprodukt.pl