



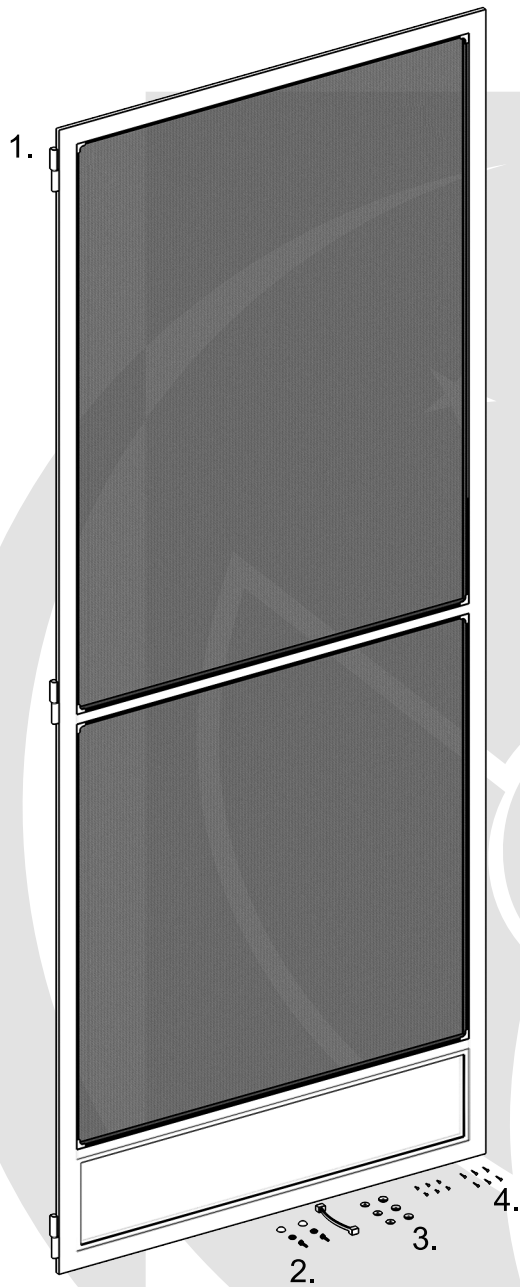
Installation instructions

Framed door insect screen – option „**A**”.
(Operated by handle)

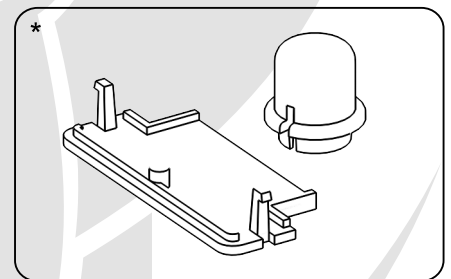
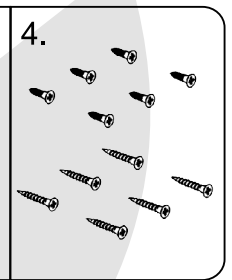
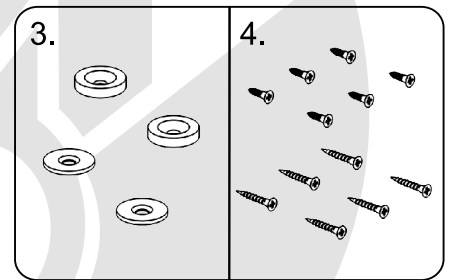
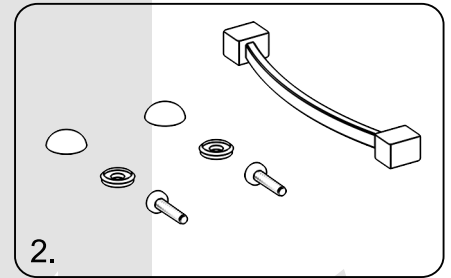
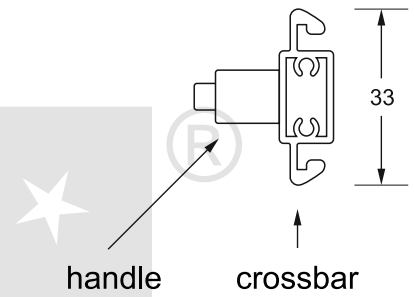
Framed door insect screen – option „**B**”.
(Operated by crossbar)

Packaging content (A):

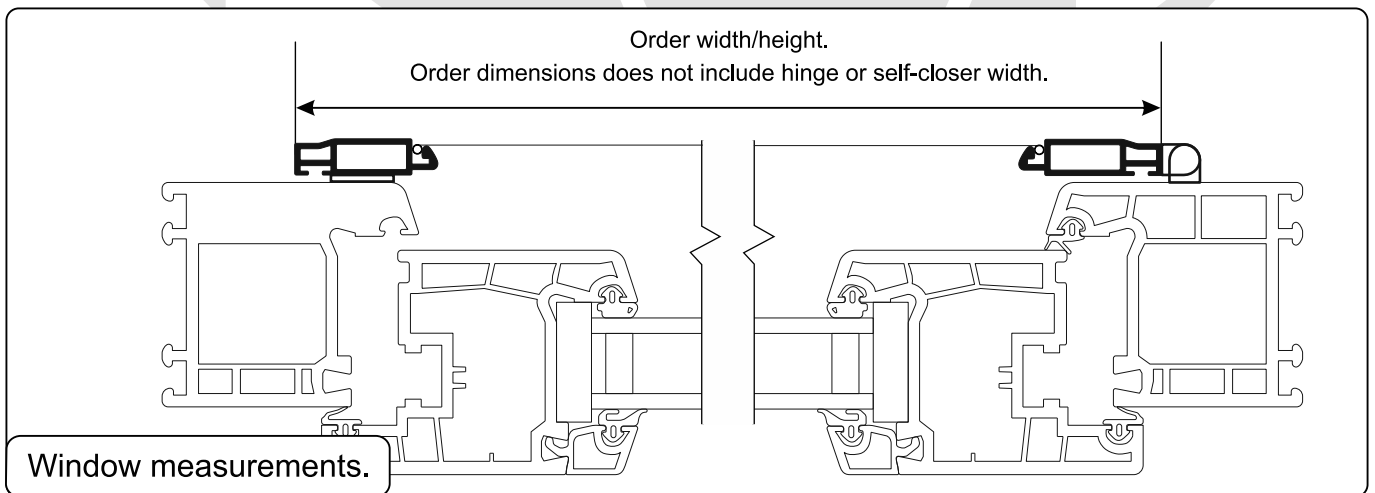
Option „A”



1. Insect screen.
2. Handle.
3. Magnets and metal plates.
4. Screws.

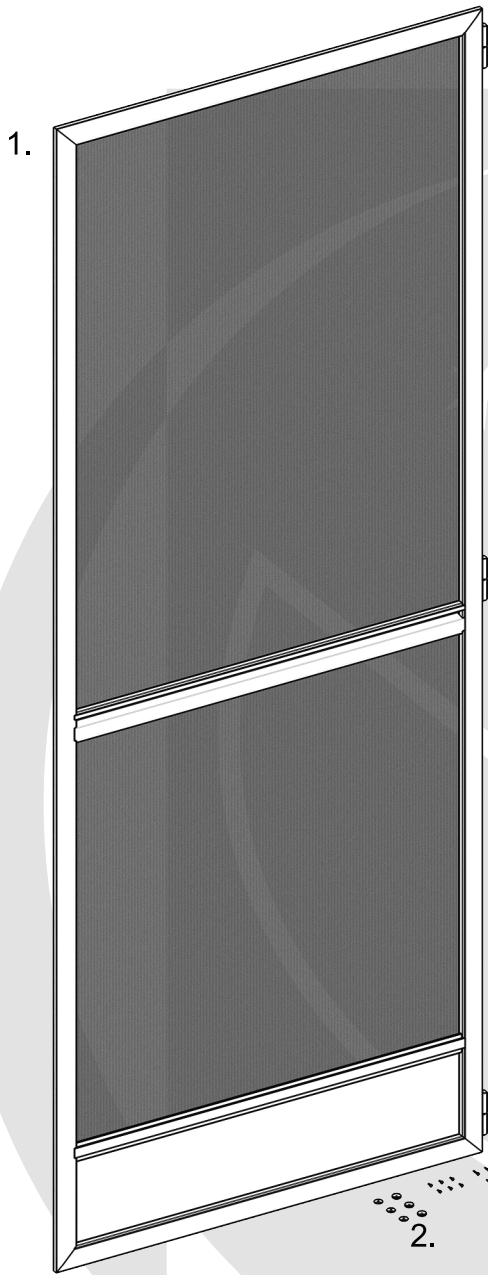


* caps – for self-closer

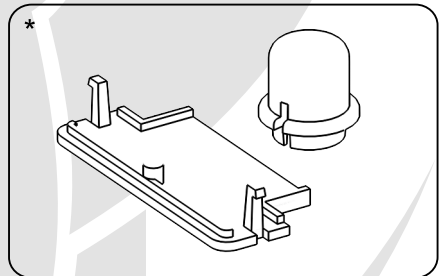
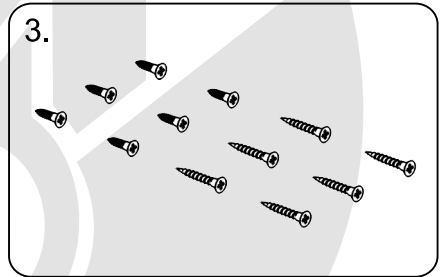
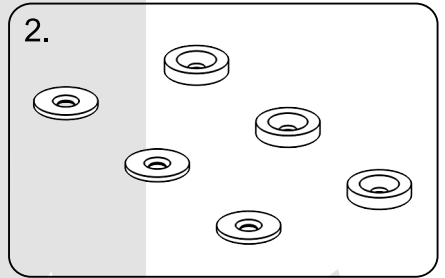
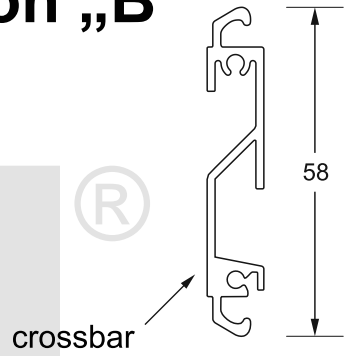


Packaging content (B):

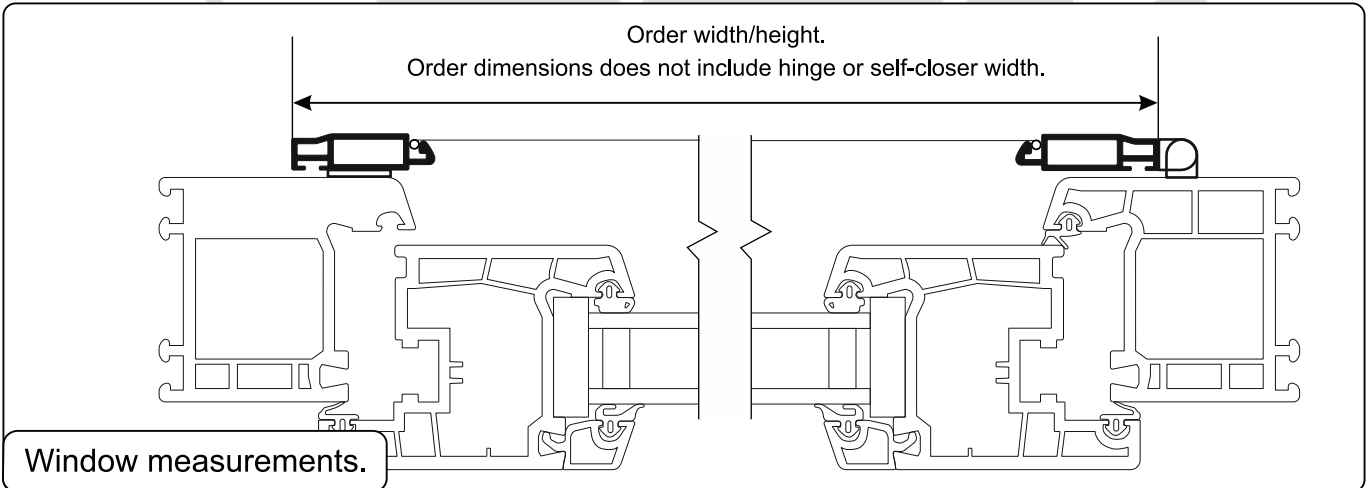
Option „B”



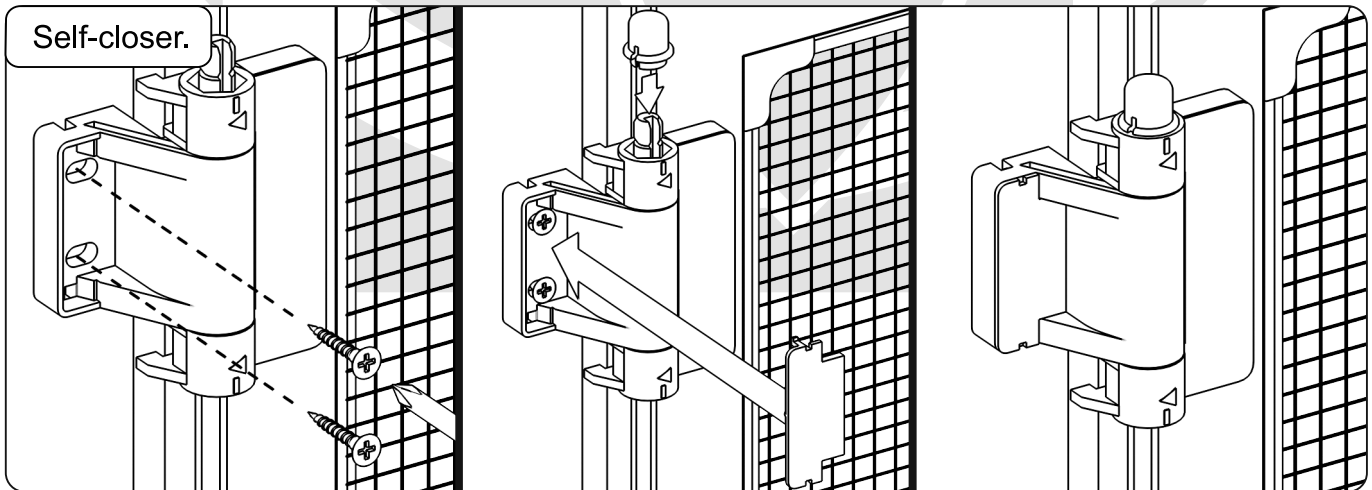
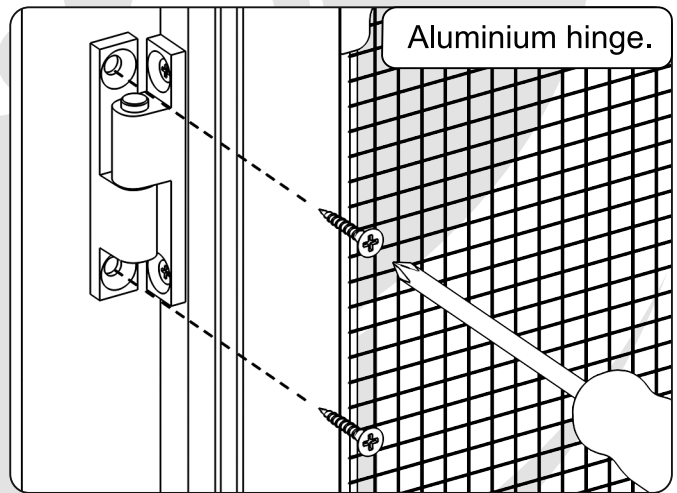
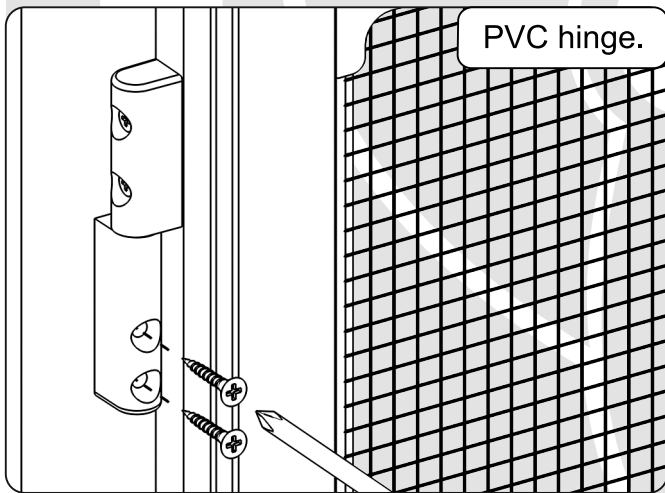
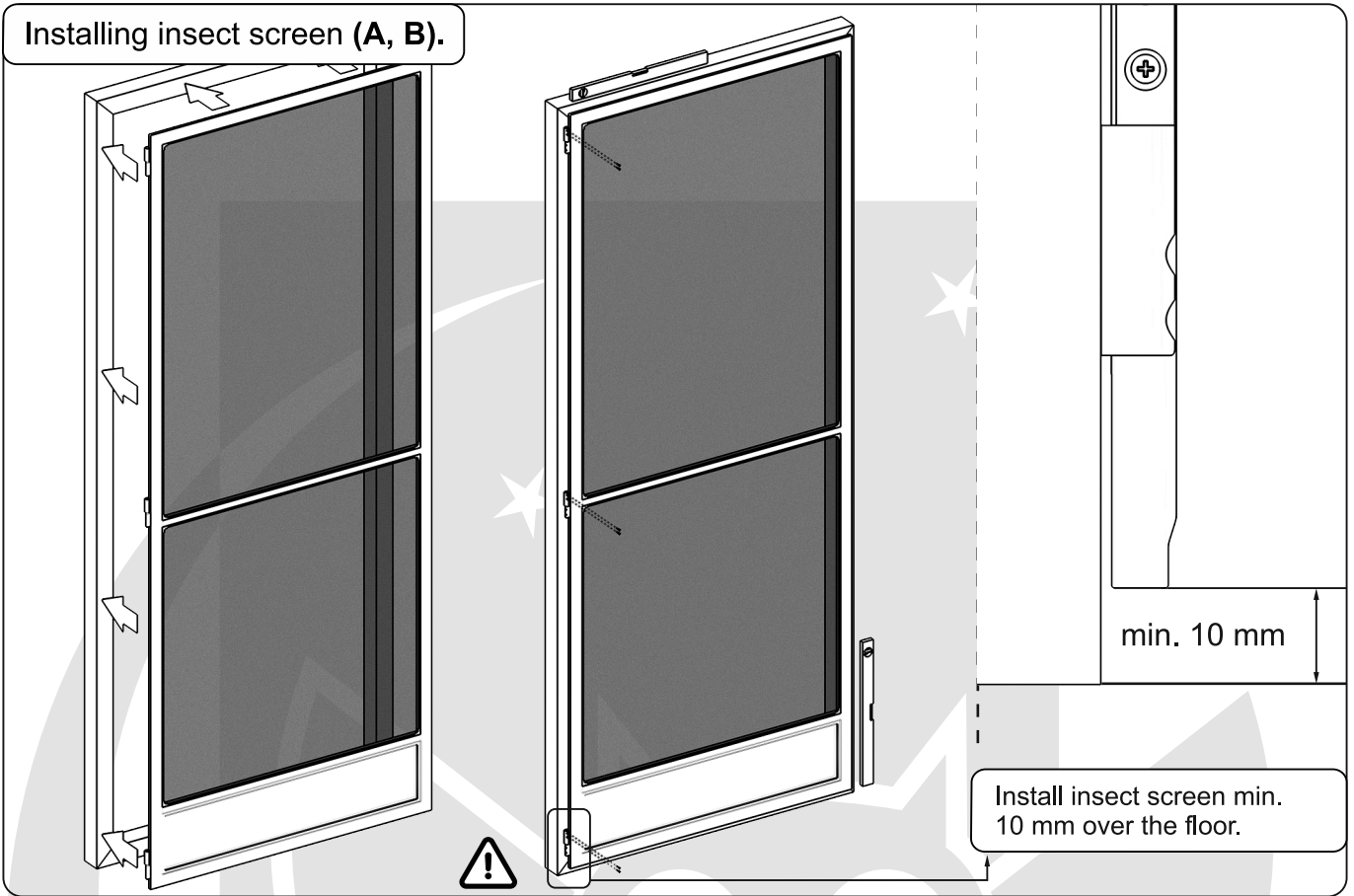
- 1. Insect screen.
- 2. Magnets and metal plates.
- 3. Screws.



* caps – for self-closer

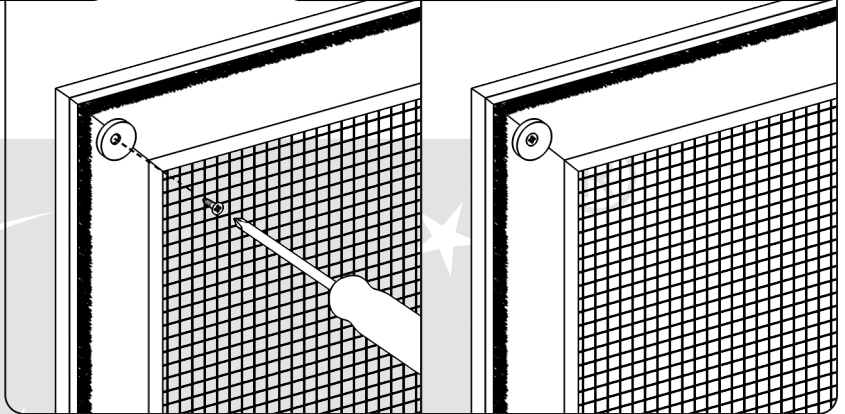
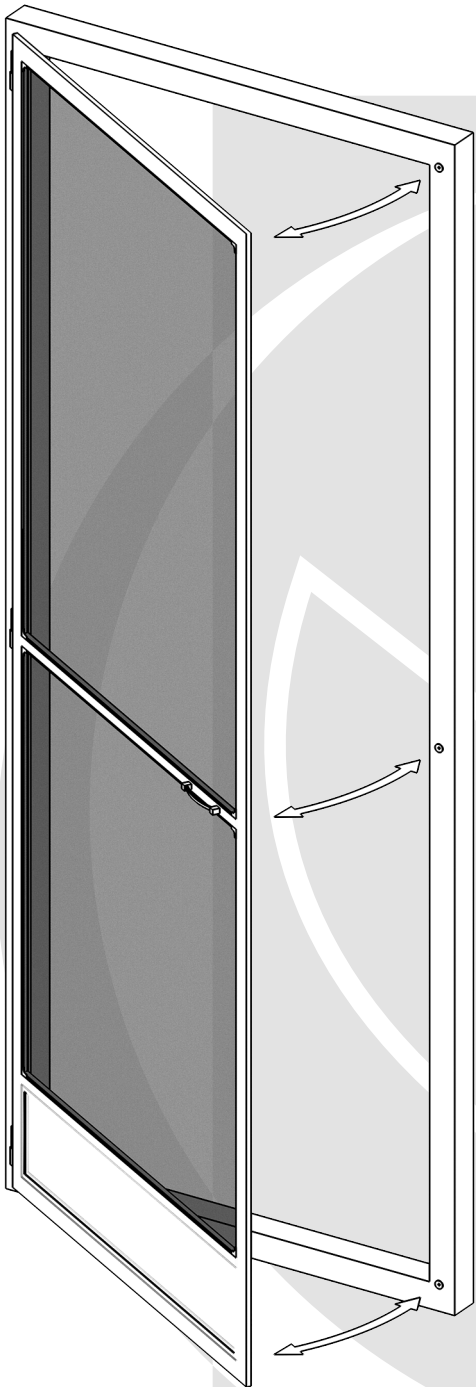


Installing insect screen (A, B).

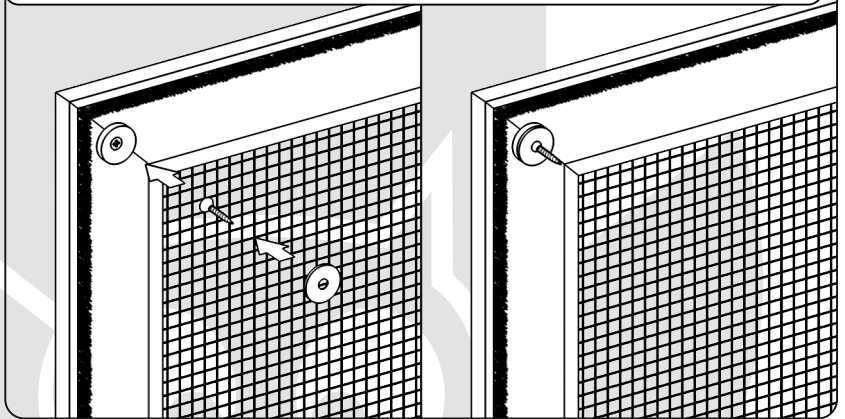


Installing magnets (A, B) and handle (A).

Fasten magnets to the frame (A, B).

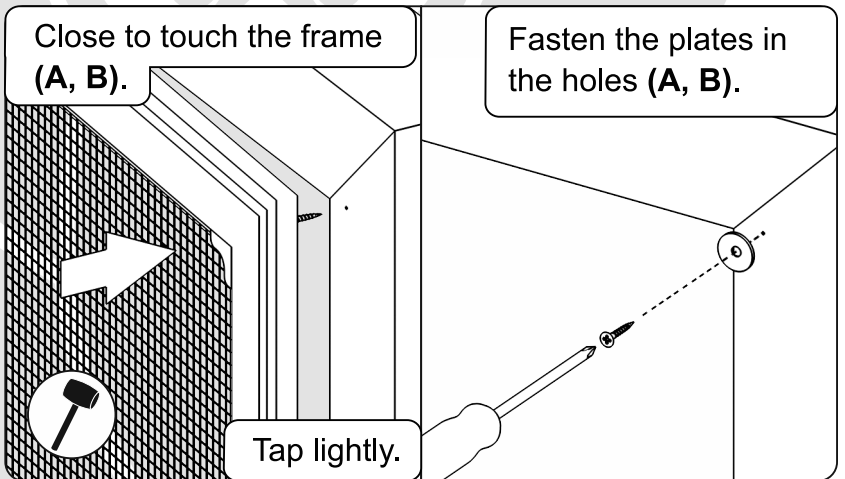


Place metal plates with screws on the magnets (A, B).



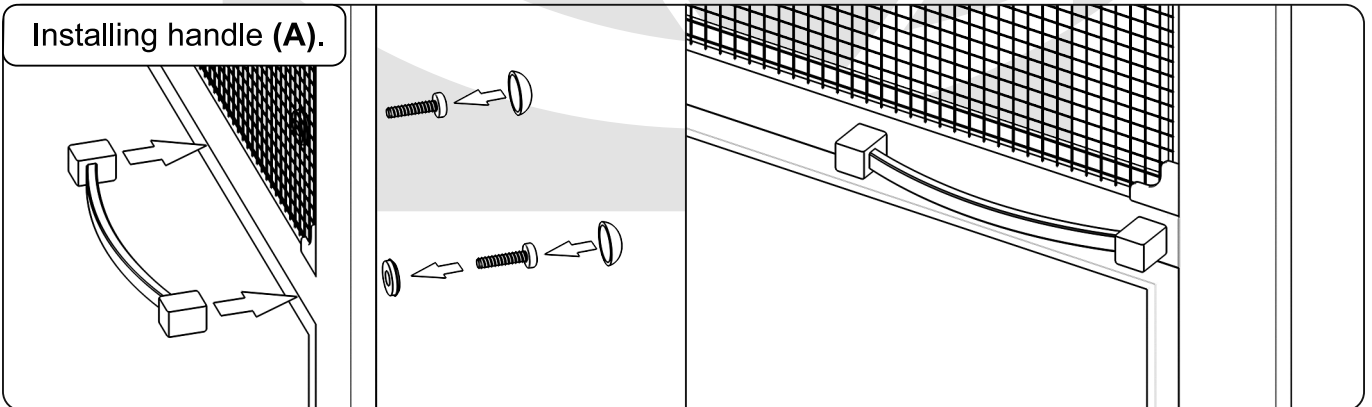
Close to touch the frame (A, B).

Fasten the plates in the holes (A, B).



Tap lightly.

Installing handle (A).





Fart Produkt Sp. z o. o. Sp. k.
ul. Towarowa 3, 87-100 Toruń
tel. +48 56 623 55 77
e-mail: export@fartprodukt.pl
www.fartprodukt.pl