



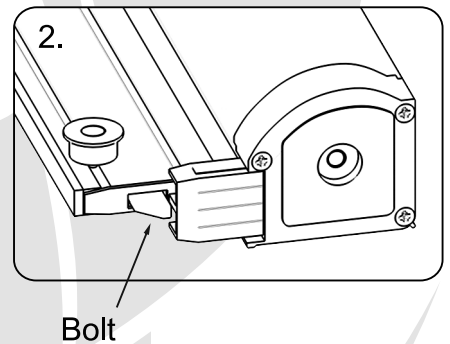
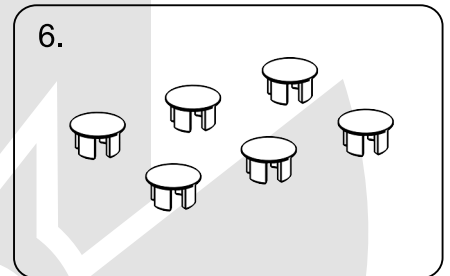
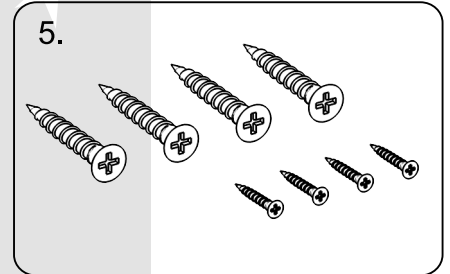
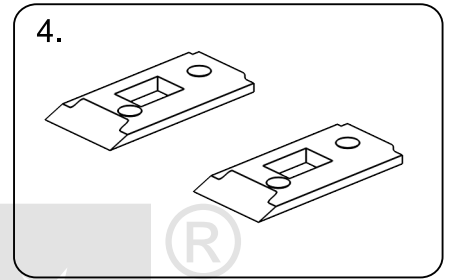
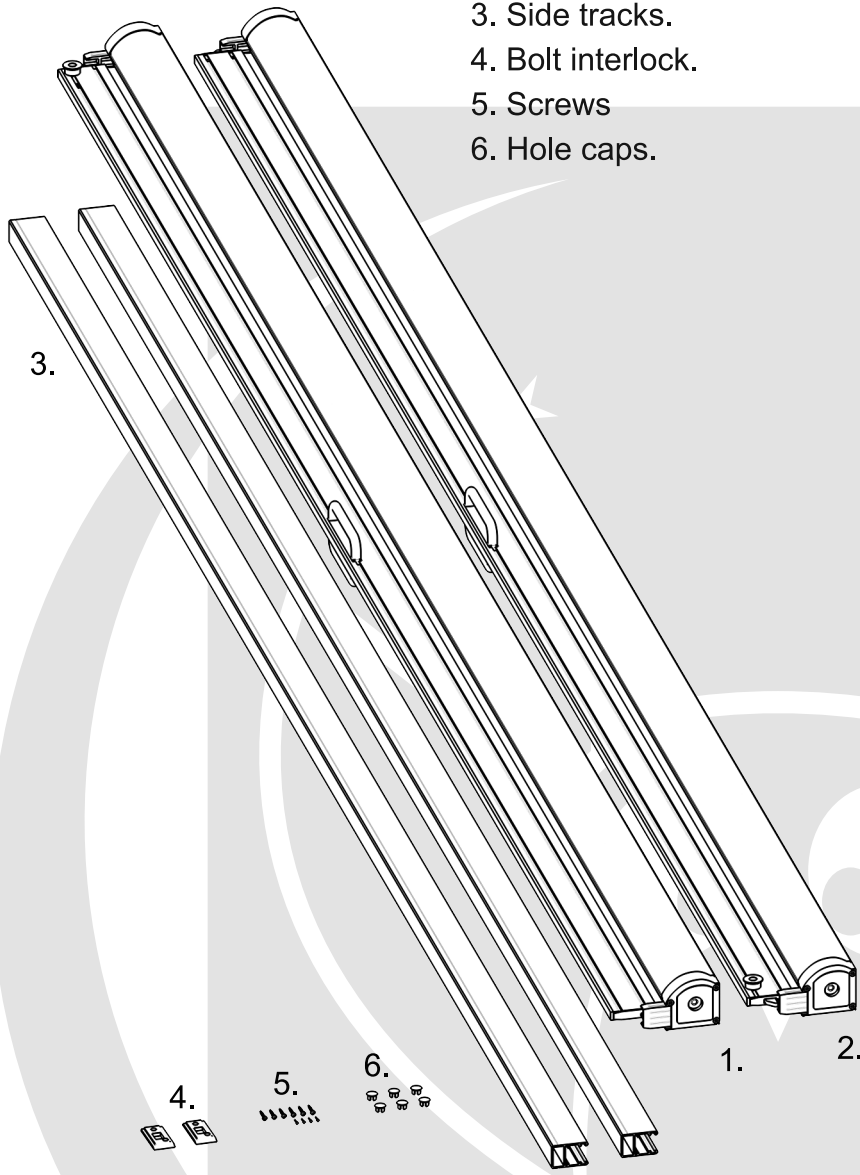
# Installation instructions

---

Double horizontal rolling insect screen

Packaging content:

1. Insect screen without bolt.
2. Insect screen with bolt.
3. Side tracks.
4. Bolt interlock.
5. Screws
6. Hole caps.



Measurement - Please specify overall insect screen width and height when ordering.

Fig. 1 Box cross-section.

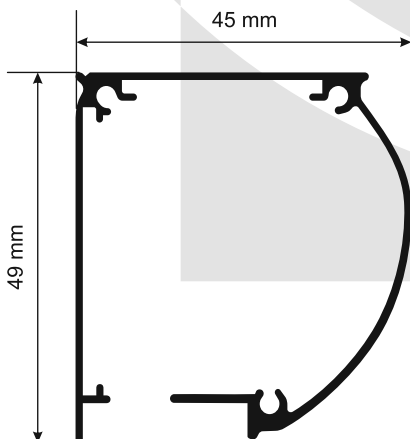


Fig. 2 Straight side track.

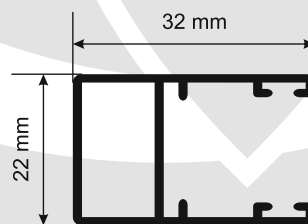
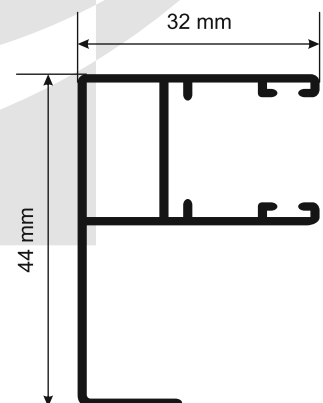
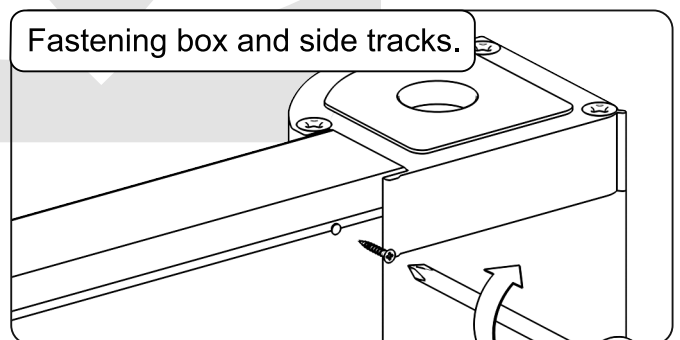
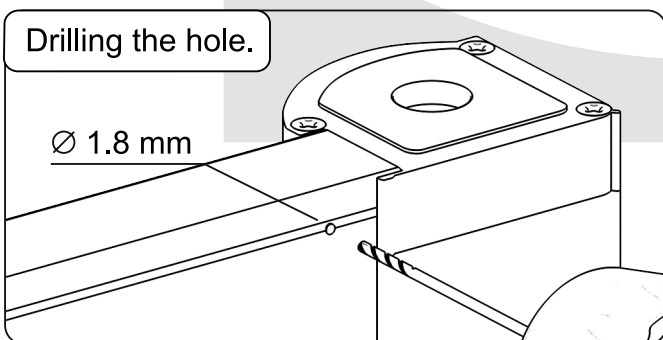
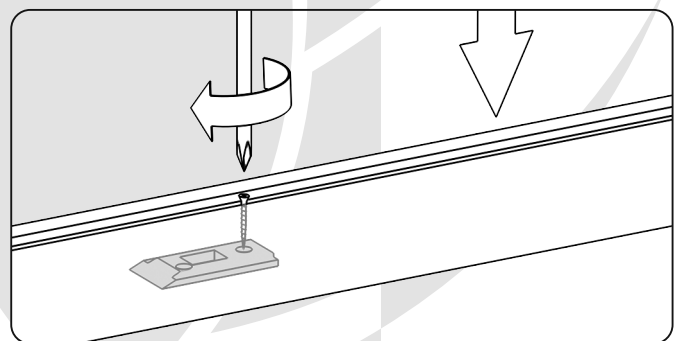
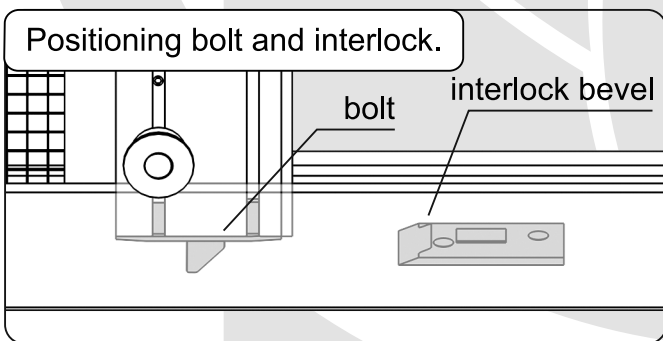
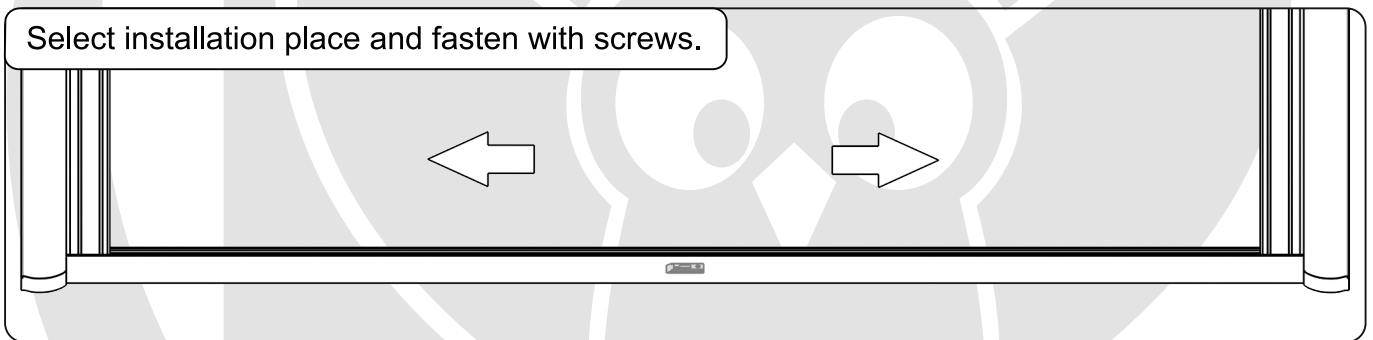
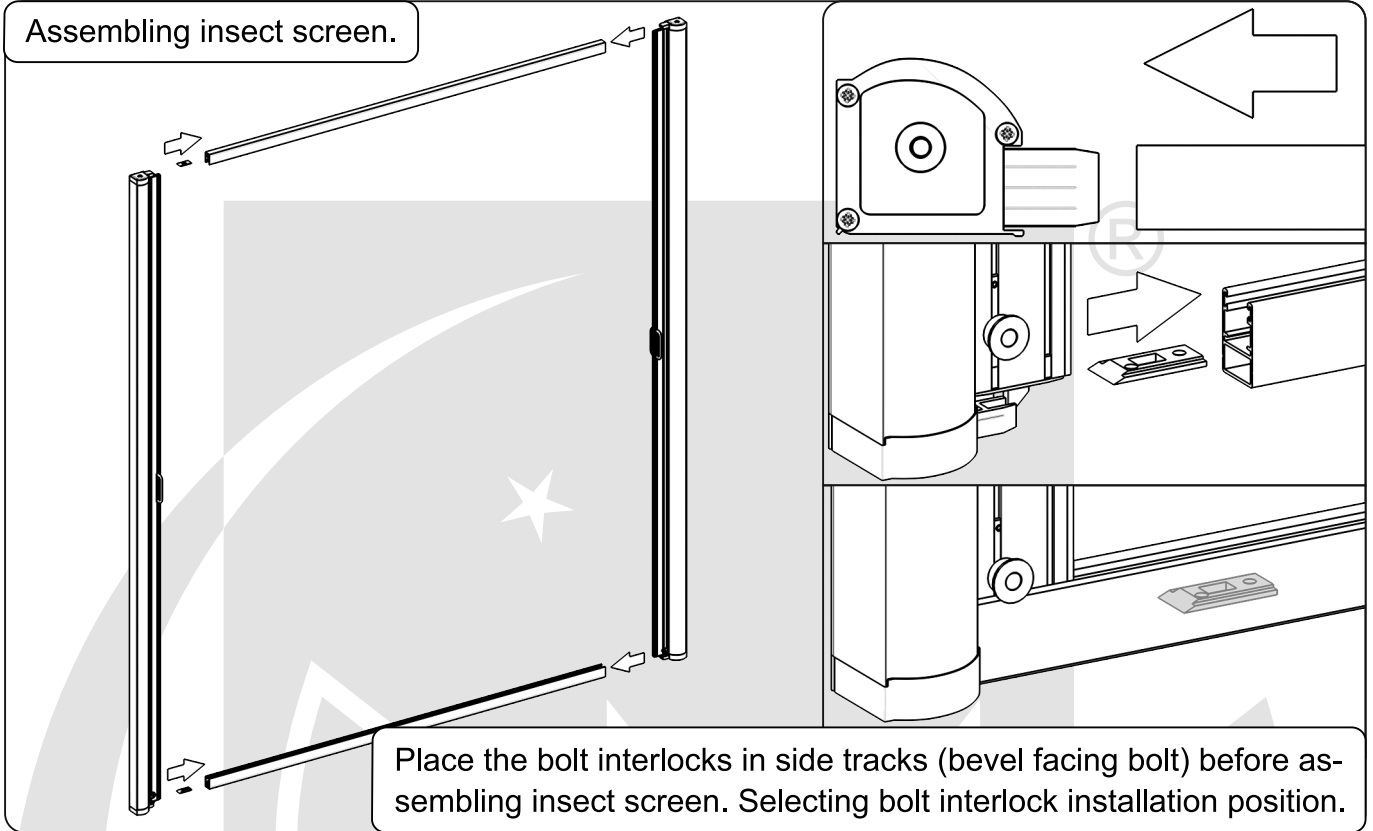


Fig. 3 Side track with shoulder. (optional)

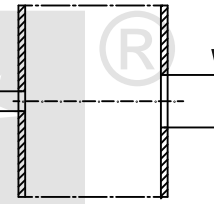




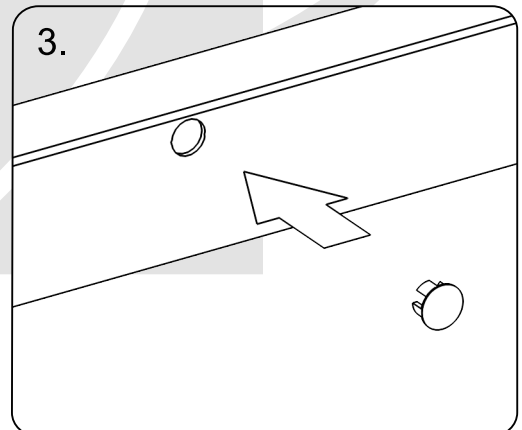
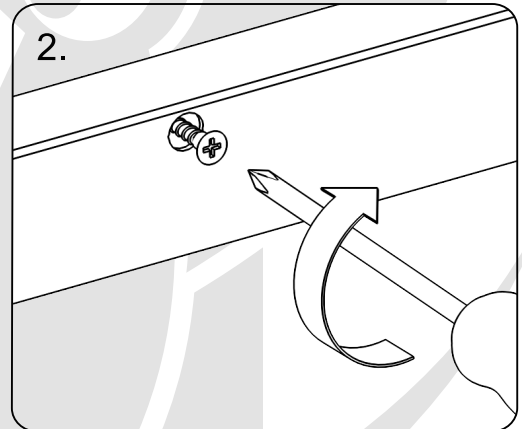
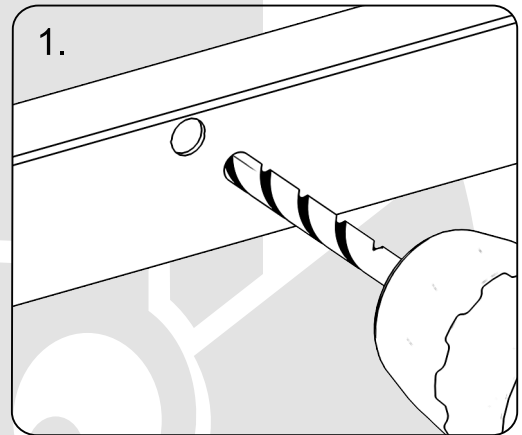
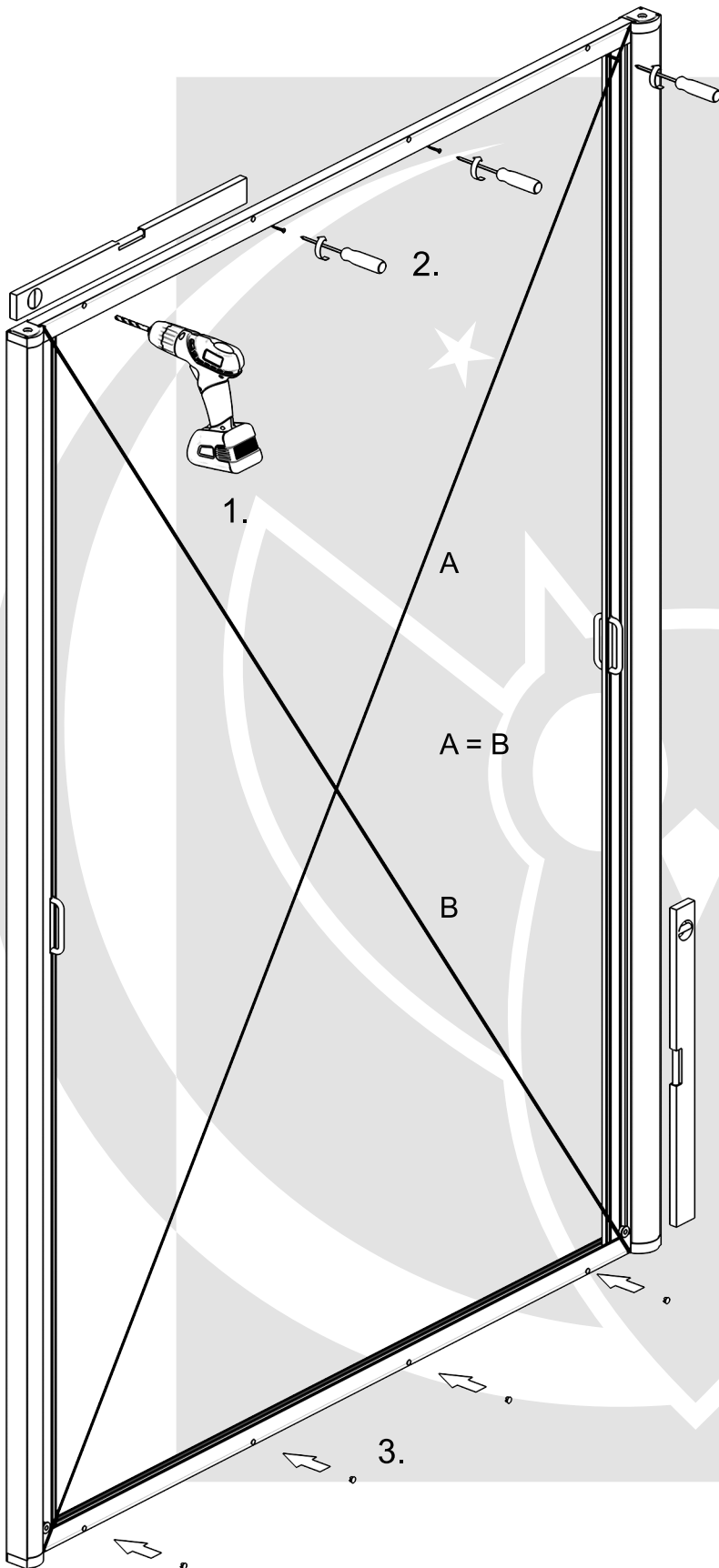
Fastening insect screen.

Hole diameters:

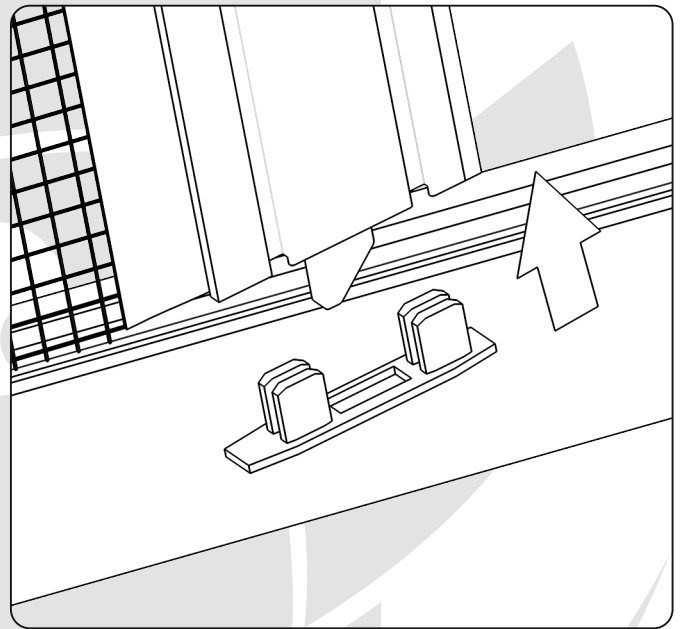
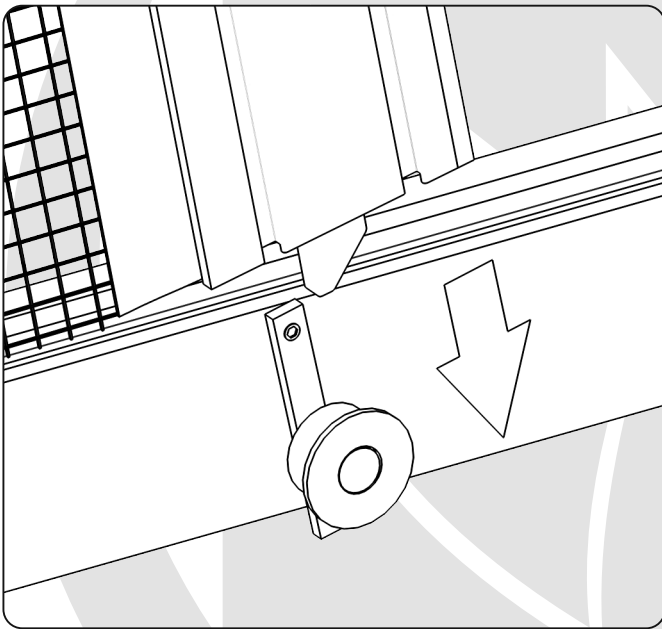
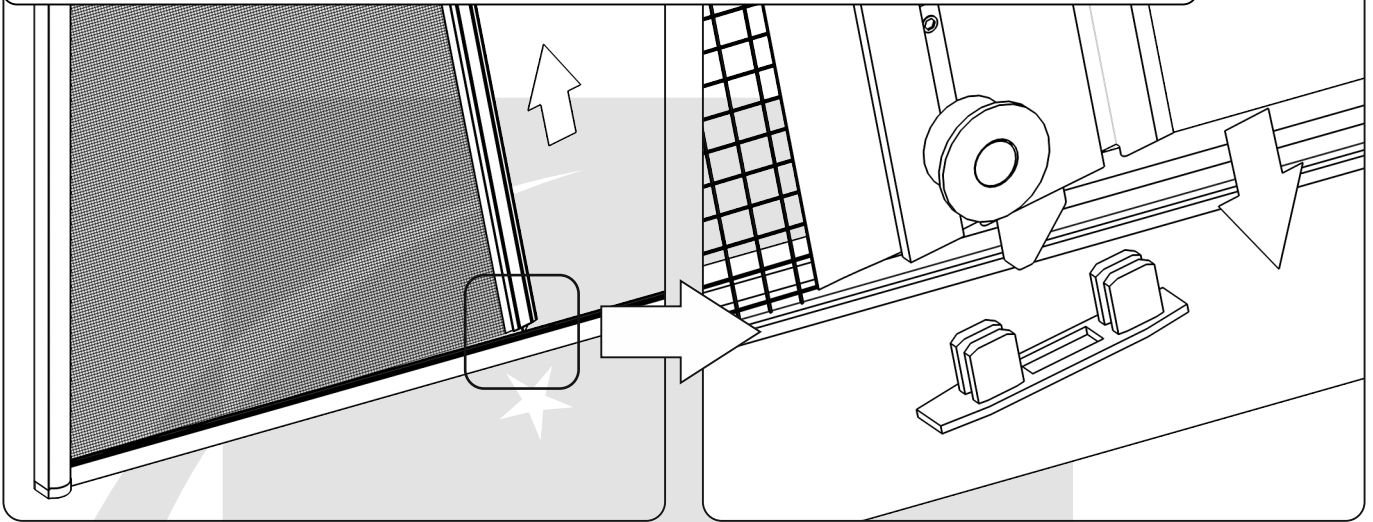
cap hole  $\varnothing$  8 mm



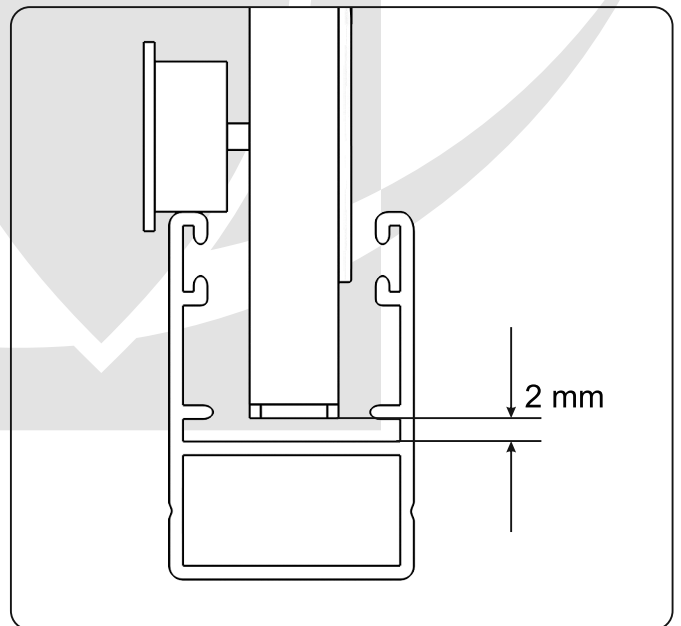
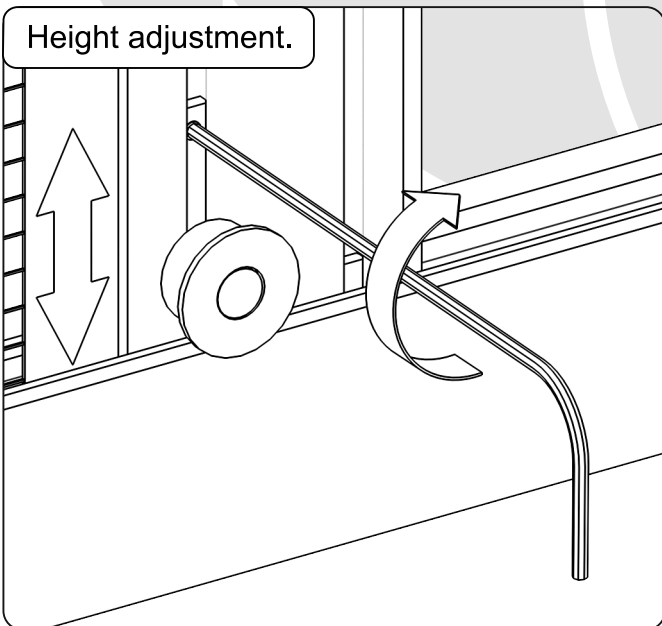
screw/bolt hole  
 $\varnothing$  3 mm



Assembling/disassembling roller. Turn the insect screen over and install rollers on the opposite side to change the insect screen opening direction.



Height adjustment.





Fart Produkt Sp. z o. o. Sp. k.  
ul. Towarowa 3, 87-100 Toruń  
tel. +48 56 623 55 77  
e-mail: [export@fartprodukt.pl](mailto:export@fartprodukt.pl)  
[www.fartprodukt.pl](http://www.fartprodukt.pl)