



Safe Step Wicket



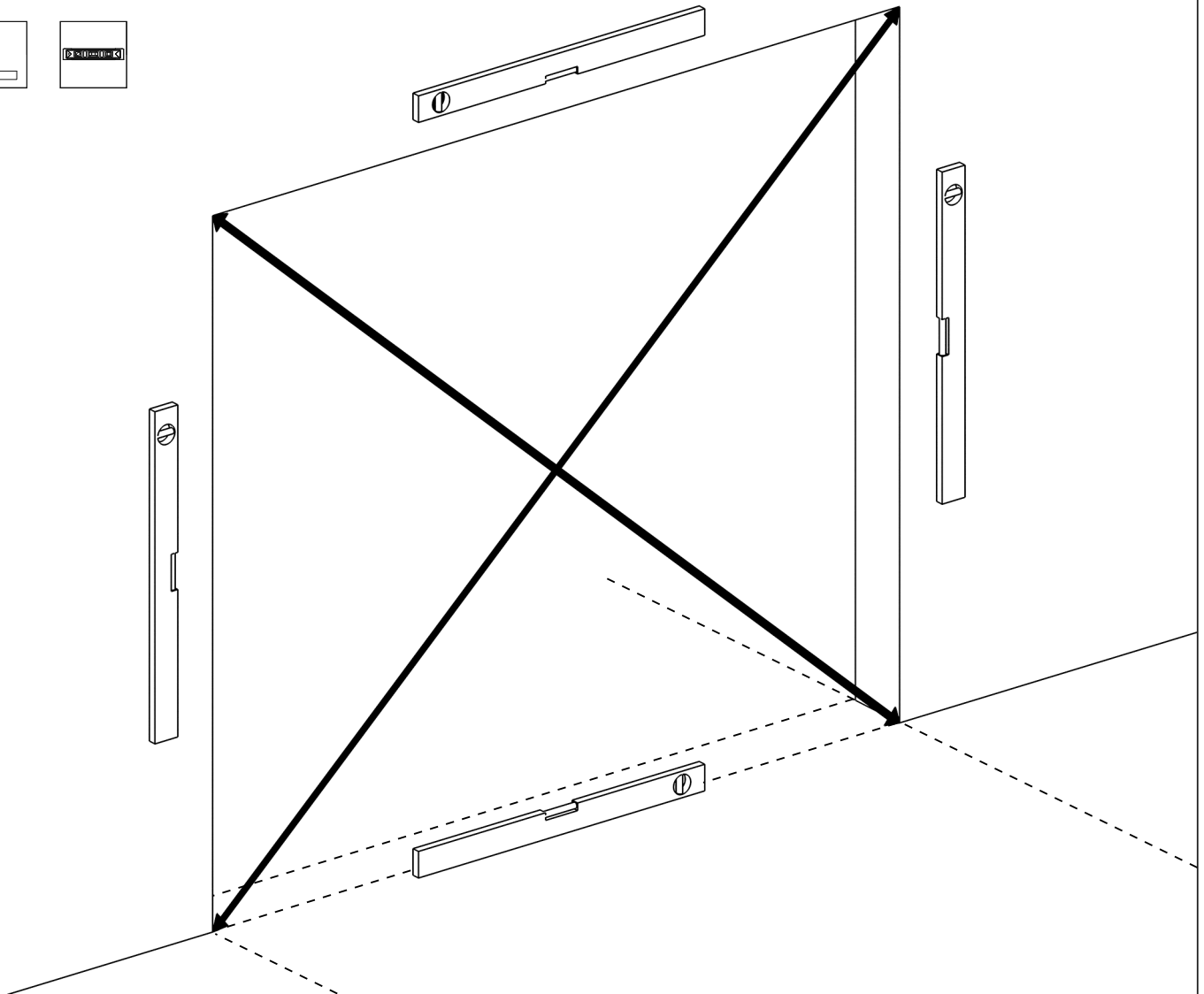
Fart Produkt Sp. z o.o. Sp. k.,
ul. Towarowa 3, 87 - 100 Toruń,
tel. + 48 56 623 55 77,
www.fartprodukt.pl, export@fartprodukt.pl

Installation instruction

ATTENTION! By transporting and handling packages with garage door panels stay careful!



Preparation of the assembly area.



ATTENTION!

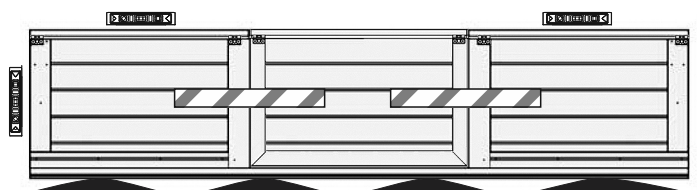
The siderooms and the headroom must be plastered!

The mounting surfaces must create uniform vertical and horizontal planes.

A ready-made floor is required, if there is no, should be used supports, which will imitate the floor.

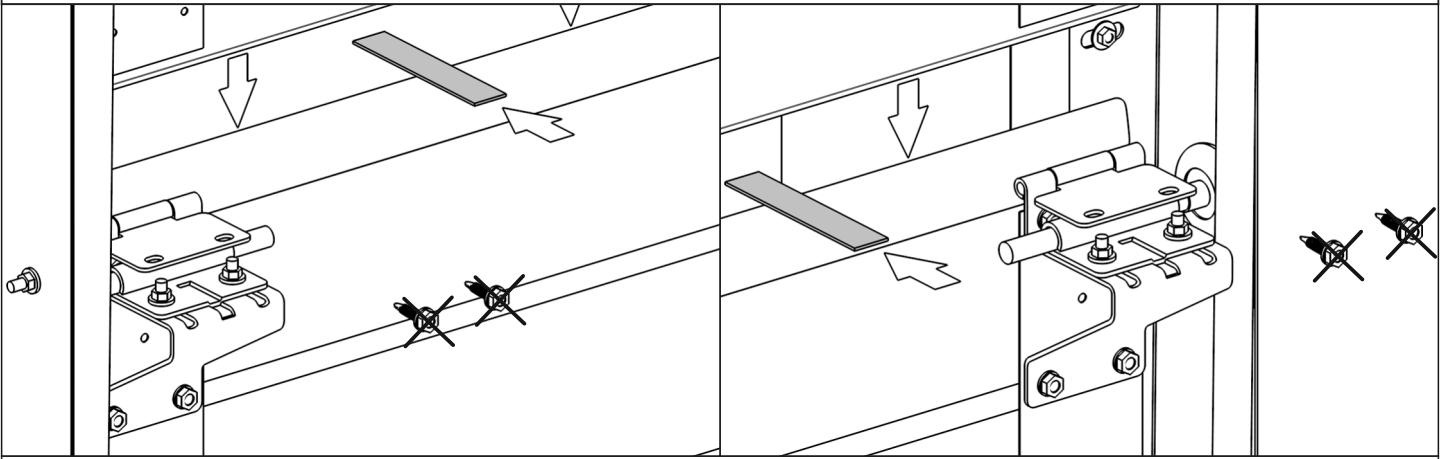
ATTENTION!

During transport and initial assembly, **DO NOT OPEN** the individual parts of the wicket (they are secured with a warning tape).

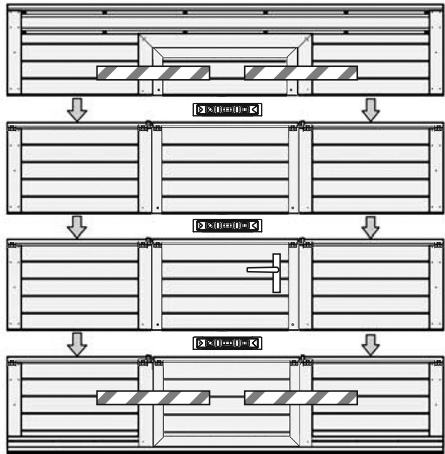


REQUIRED FLOOR OR IMITATING SUPPORTS

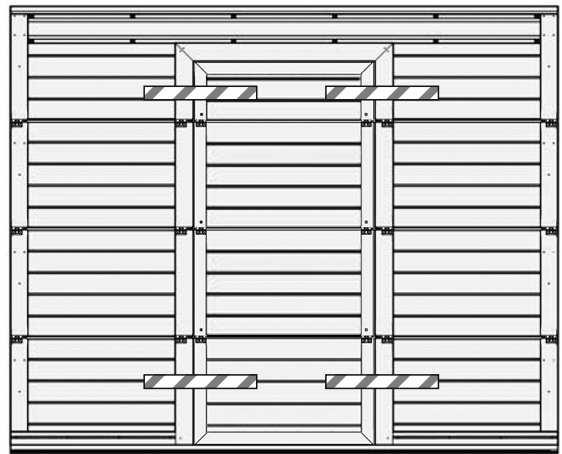
Assembly of panels. The panels should be mounted without screwing them. Only the rollers should be placed in the rails, and the hinges should be left unscrewed.



Assembly of panels.



Attention! While mounting the panels, remember to provide their horizontal placement.



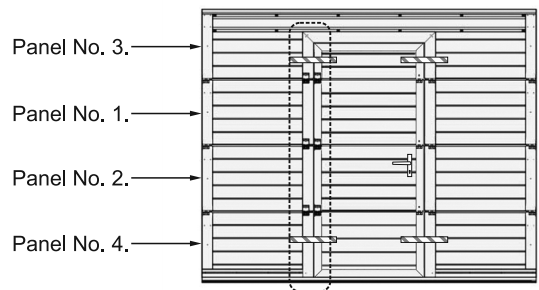
Assembling the panels. While assembly of the panels, follow the given order of screwing the hinges:

1. Hinges at the wicket on the opposite side to the handle.

- 1A. Hinges at the wicket on the opposite side to the handle. Panel No. 1.
- 1B. Hinges at the wicket on the opposite side to the handle. Panel No. 2.
- 1C. Hinges at the wicket on the opposite side to the handle. Panel No. 3.
- 1D. Hinges at the wicket on the opposite side to the handle. Panel No. 4.



Attention! While mounting the panels, remember to provide their horizontal placement.

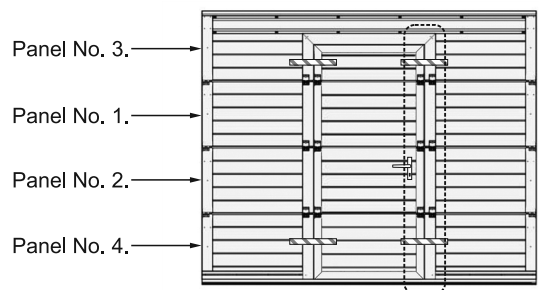


2. Hinges at the wicket on the side of the handle.

- 2A. Hinges at the wicket on the side of the handle. Panel No. 1.
- 2B. Hinges at the wicket on the side of the handle. Panel No. 2.
- 2C. Hinges at the wicket on the side of the handle. Panel No. 3.
- 2D. Hinges at the wicket on the side of the handle. Panel No. 4.



Attention! While mounting the panels, remember to provide their horizontal placement.



3. Side hinges on both sides of the garage door.

- 3A. Side hinges on both sides of the garage door. Panel No. 1.
- 3B. Side hinges on both sides of the garage door. Panel No. 2.
- 3C. Side hinges on both sides of the garage door. Panel No. 3.
- 3D. Side hinges on both sides of the garage door. Panel No. 4.



Attention! While mounting the panels, remember to provide their horizontal placement.

