



Fitting Instructions

Garage door Standard

1. Symbols and warning signs.



DANGER!
CAUTION!

Read the text carefully!



DANGER - PERSONAL INJURY!
Read the text carefully!

2. General.

The Fitting Instructions are intended for qualified personnel only. Please contact manufacturer if you have any questions on fitting, disassembly or maintenance.



Read and follow all guidelines and warnings in the Fitting Instructions to avoid serious injury.

The fitting instructions include RES70 garage door fitting and dismantling procedures and may include other instructions, e.g. control system instructions, if used.

The fitting kit conforms to relevant European standards. Make sure European standards correspond to relevant national standards.

Adding or removing door components may affect operation and safety of the sectional door and is strictly forbidden!

All indications regarding left or right side apply to the view from the inside to the outside!

All dimensions are in millimetres unless otherwise specified.

Check if CE mark is not damaged and affixed properly.

Keep the Fitting Instructions in a safe place.

3. Safety requirements for fitting, commissioning and maintenance.



Garage door can be installed, connected and commissioned by qualified personnel only.

Make sure power supply is disconnected and cannot be activated by accident.

Do not modify safety devices.



Always wear safety gloves to avoid injury from sharp edges.

Do not use sectional doors with visible damage to safety devices.



Always wear safety gloves and boots during fitting and maintenance.

Wear safety goggles when drilling holes.

Make sure all works are carried out in a stable environment.



Mark the fitting and maintenance area with a warning tape to keep unauthorized personnel at a safe distance.



Maintenance may be carried out by specialized company or qualified personnel only.

Provide suitable lighting. Use suitable tools, in particular to adjust torsion springs.

4. Warranty and liability.

Incorrect installation or any modification to garage door components or maintenance tools will void the warranty and release the manufacturer from any liability.

It also applies to any damage due to incorrect operation, failure to comply with guidelines in the Fitting Instructions or incorrect maintenance.

5. List of required tools.

- drill, set of drill bits, hammer drill.
- power drill or socket wrenches and screwdrivers.
- set of double open-end wrenches.
- angle grinder with cutting disk.
- steel bars dia. 12 mm for spring tensioning.
- bubble level 1,5 m.
- metal tape measure to measure diagonals.
- ladder or scaffolding depending on door size.
- set of bolts and screws compatible with base material.



Scope of delivery:

2 vertical tracks with seals.

2 horizontal guides

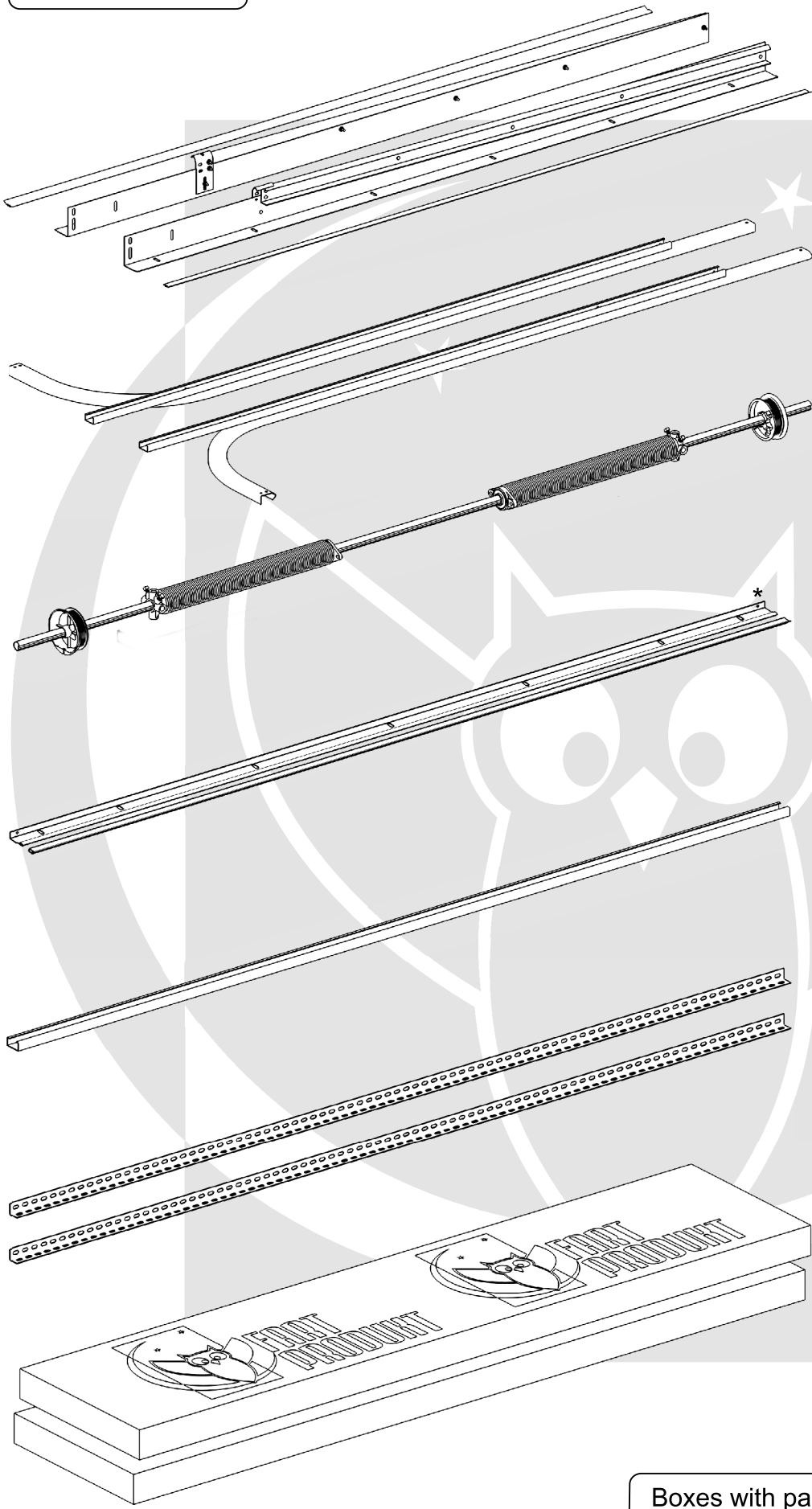
Shaft.

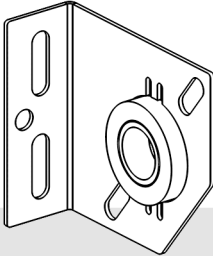
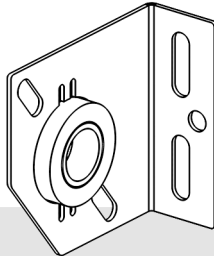
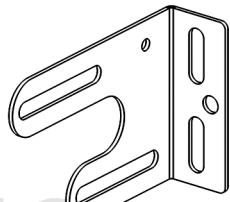
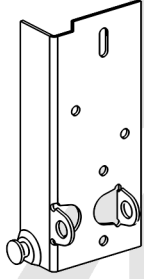
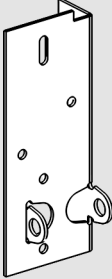
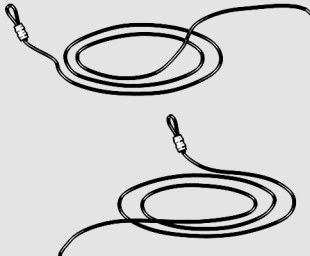
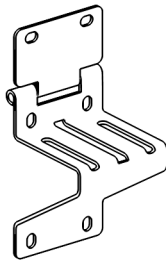
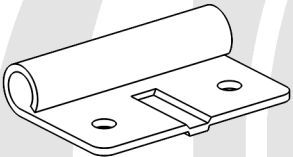
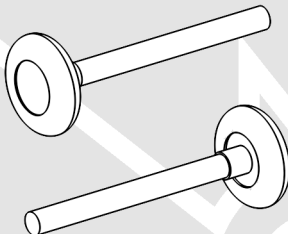
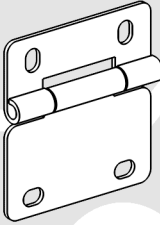

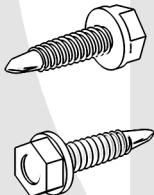
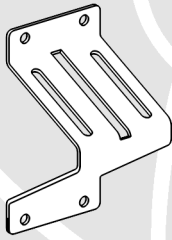
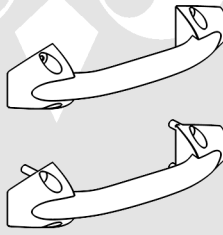
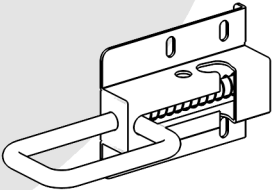
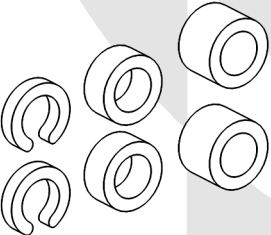
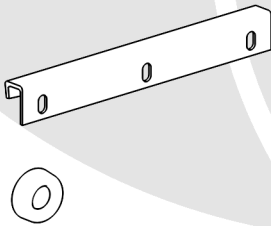
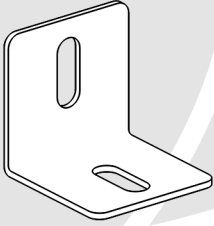
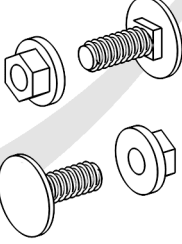
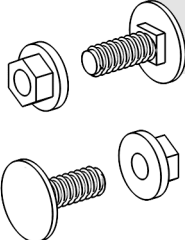
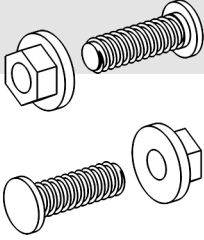
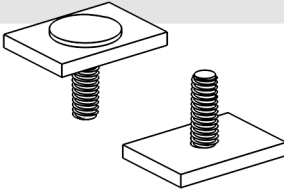
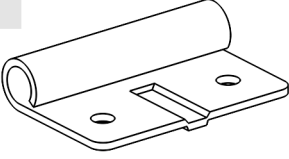
Headroom profile with a seal (* optional - the garage door is sealed with a seal in the headroom profile or in the top panel).

Crossbar.

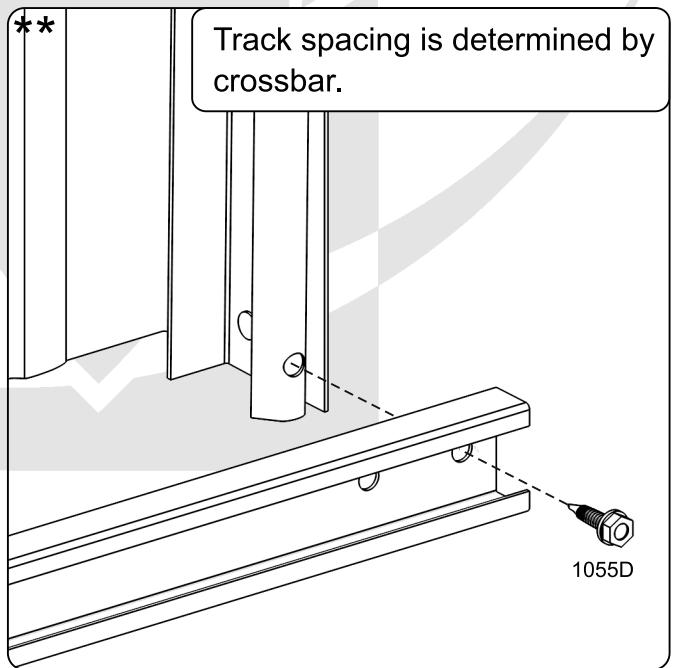
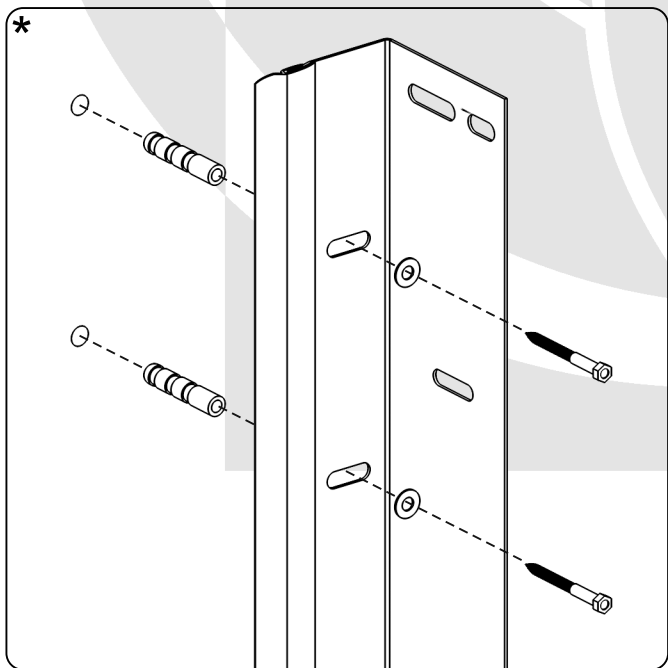
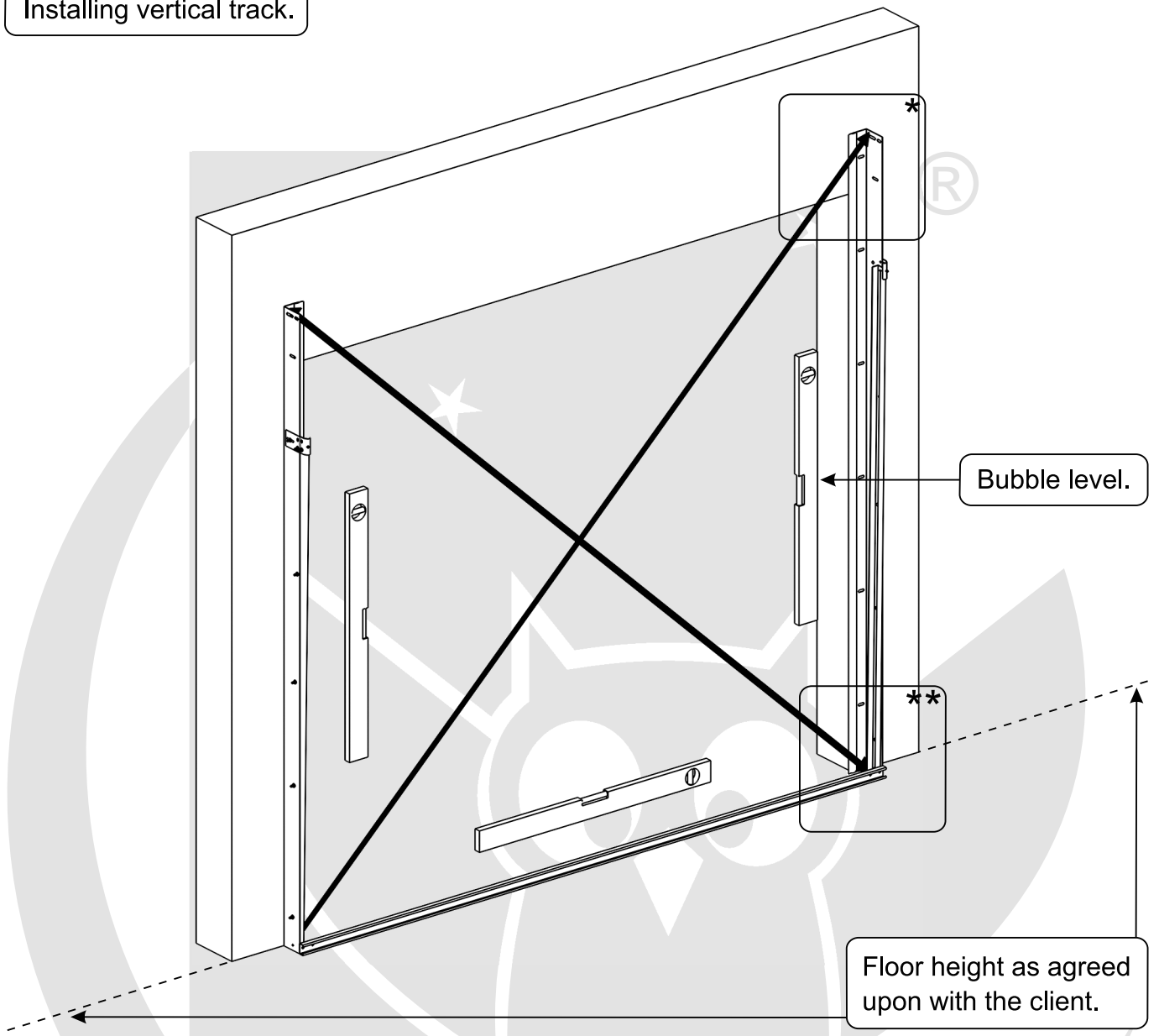
Suspension profile.

Boxes with panels. Box with fitting set.



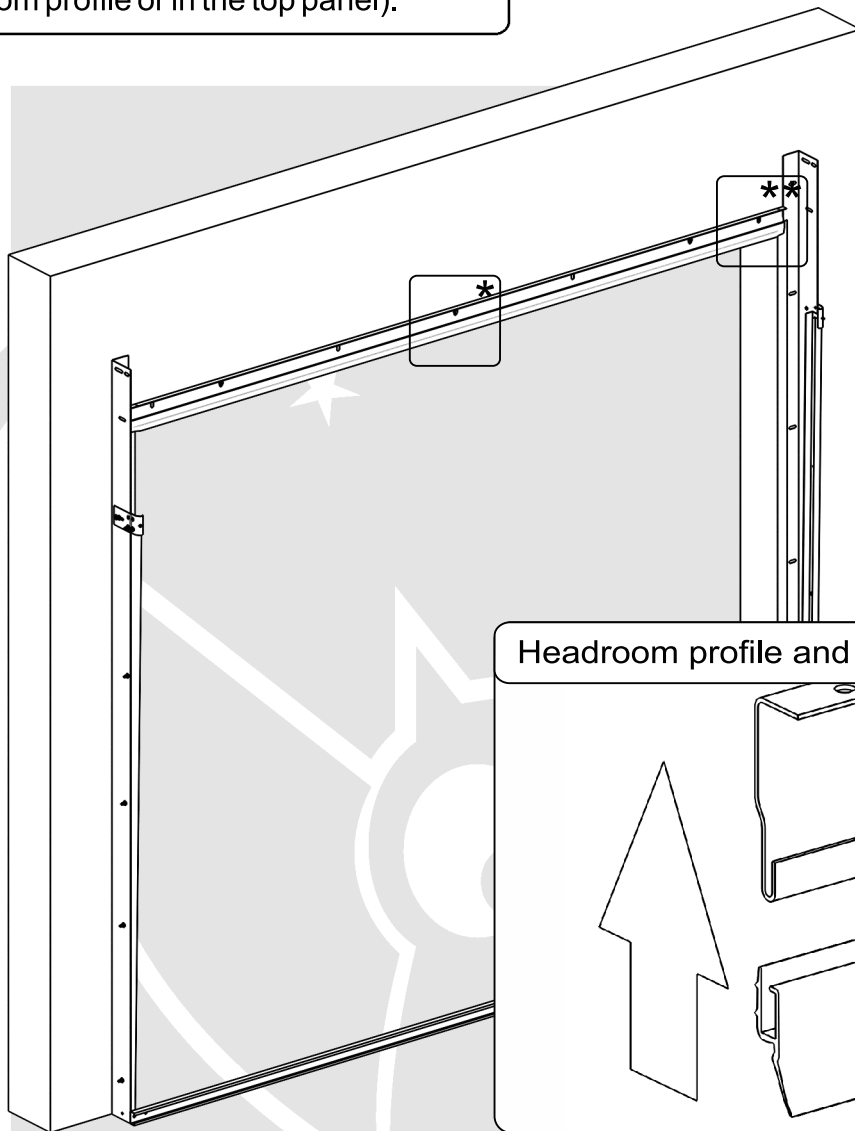
<p>Fitting set content.</p>	 <p>Left bracket.</p>	 <p>Right bracket.</p>	 <p>Intermediate bracket.</p>
 <p>Left bottom cable bracket.</p>	 <p>Right bottom cable bracket.</p>	 <p>Cable.</p>	 <p>Side hinge.</p>
 <p>Hinge plate.</p>	 <p>Rollers.</p>	 <p>Intermediate hinge.</p>	 <p>Panel liner cardboard.</p>
 <p>1055D Hinge screws.</p>	 <p>Top bracket standard.</p>	 <p>Handle.</p>	 <p>Locking bolt.</p>
 <p>Spacer rings.</p>	 <p>Stop (rubber) / roller grip.</p>	 <p>Crossbar angle.</p>	 <p>Lock M6 bolts and nuts: 10.</p>
 <p>Lock M8 bolts and nuts: 10.</p>	 <p>Countersunk head bolt and nuts: 8.</p>	 <p>Square head bolt.</p>	 <p>Top bracket plate.</p>

Installing vertical track.

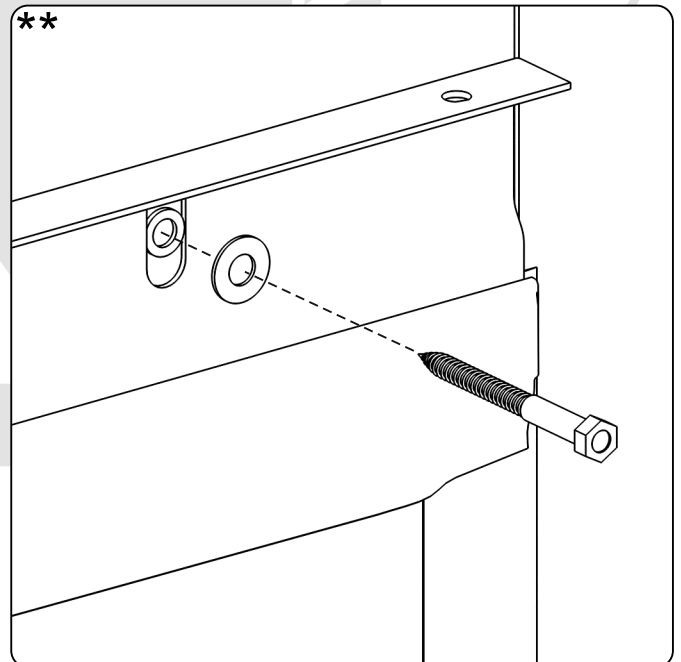
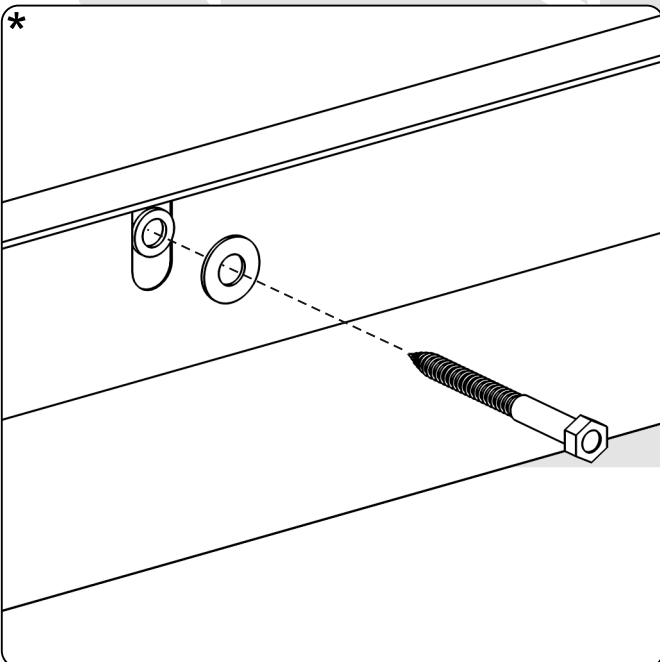
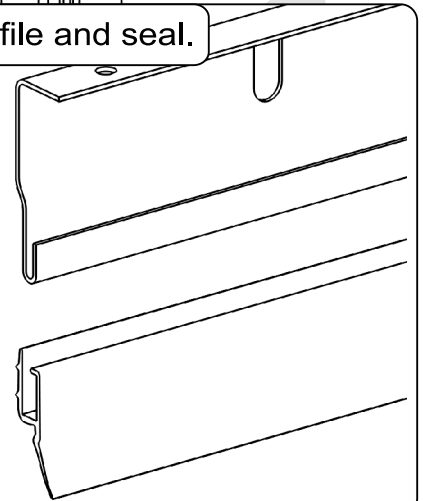


Attention! The headroom profile is an optional equipment (the garage door is sealed with a seal in the headroom profile or in the top panel).

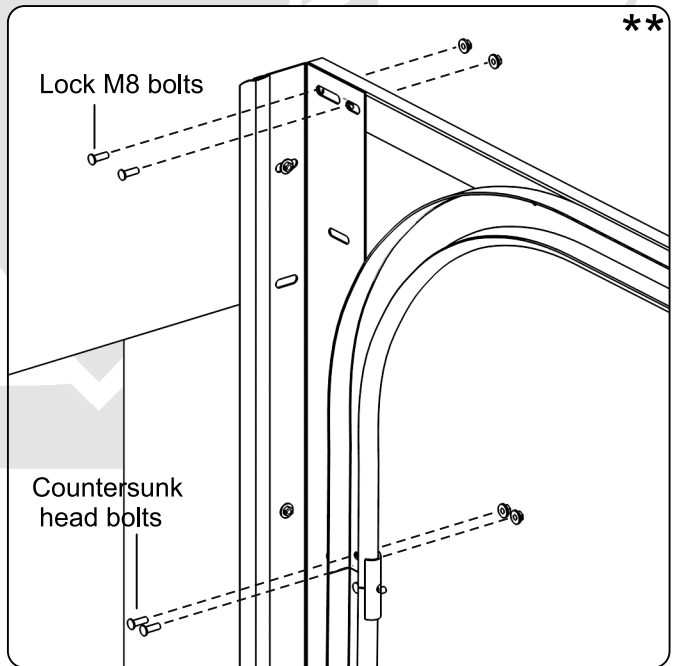
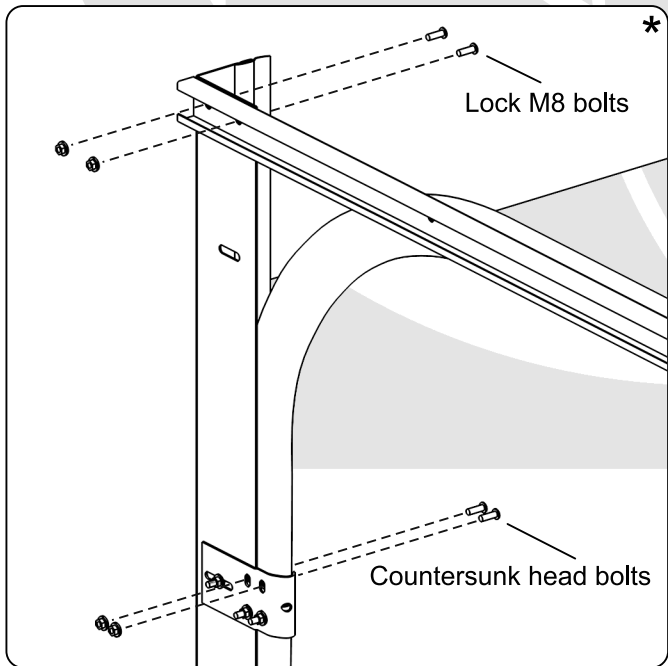
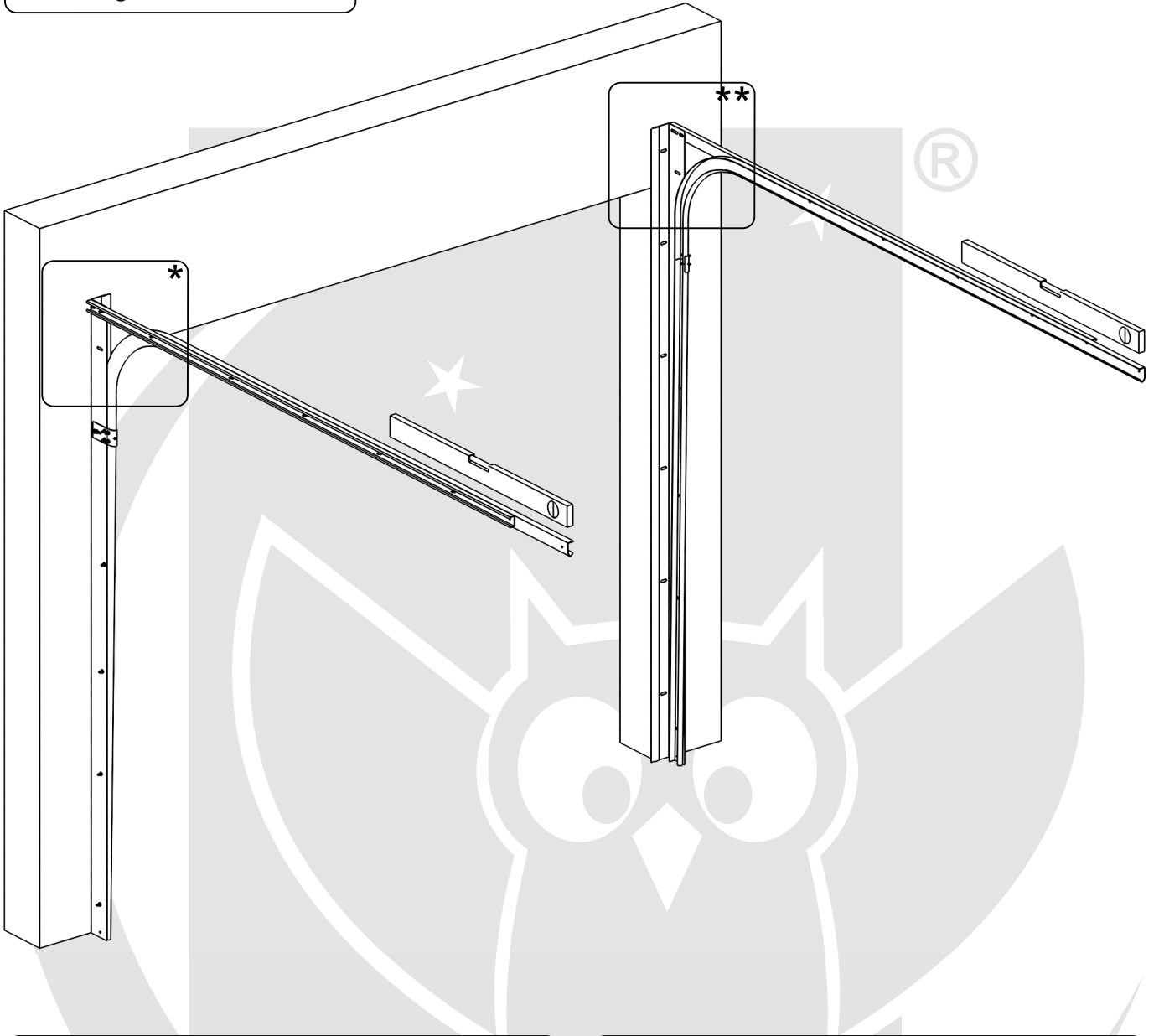
Installing headroom profile.



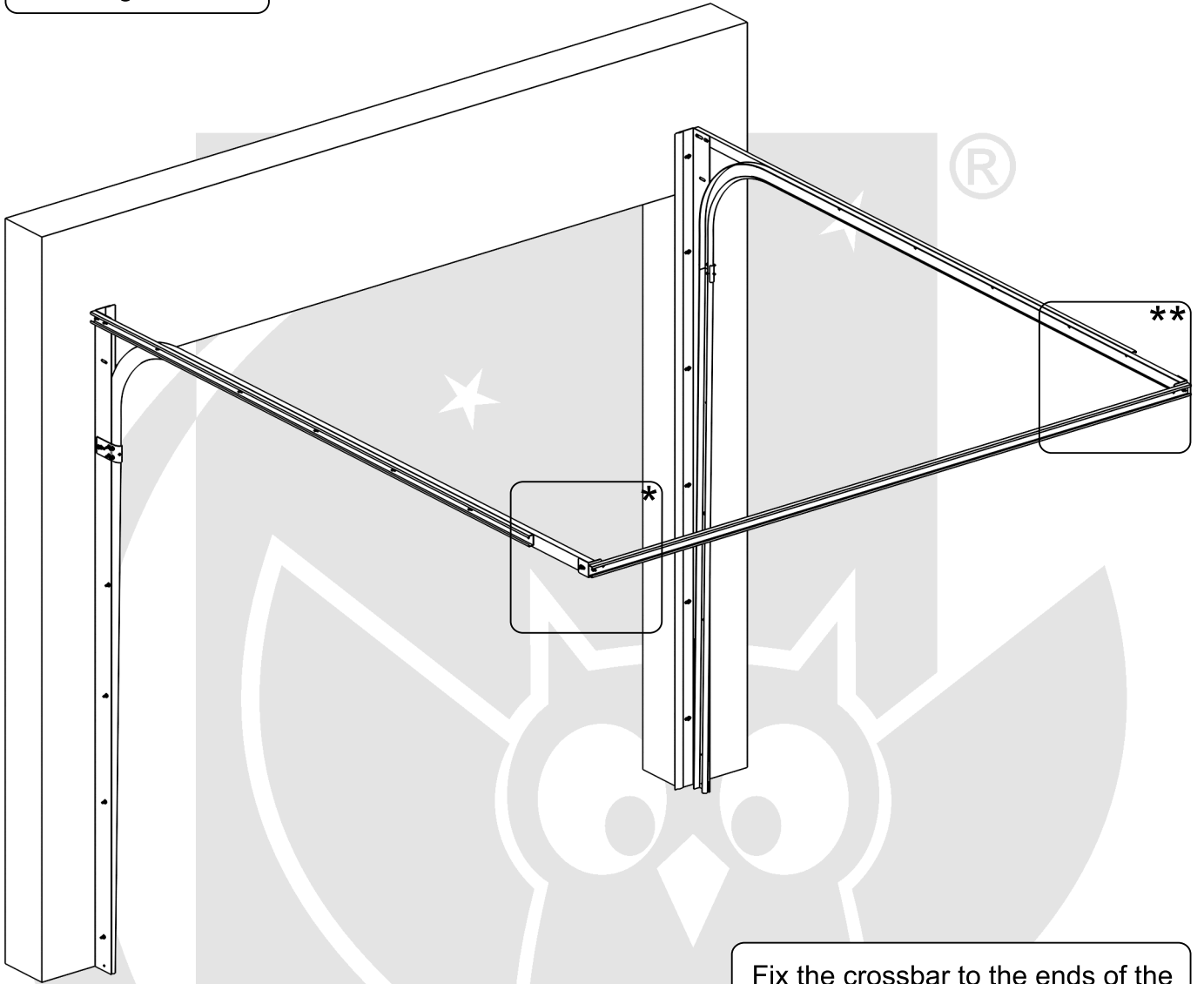
Headroom profile and seal.



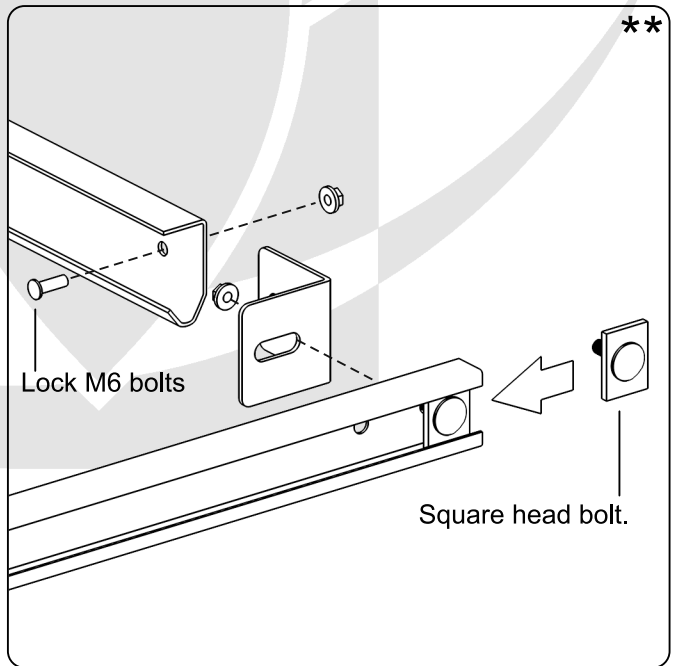
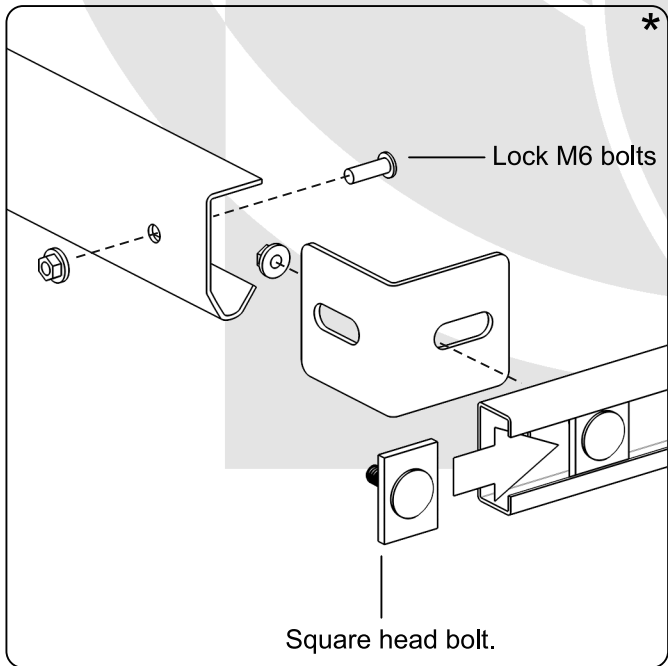
Installing horizontal tracks.



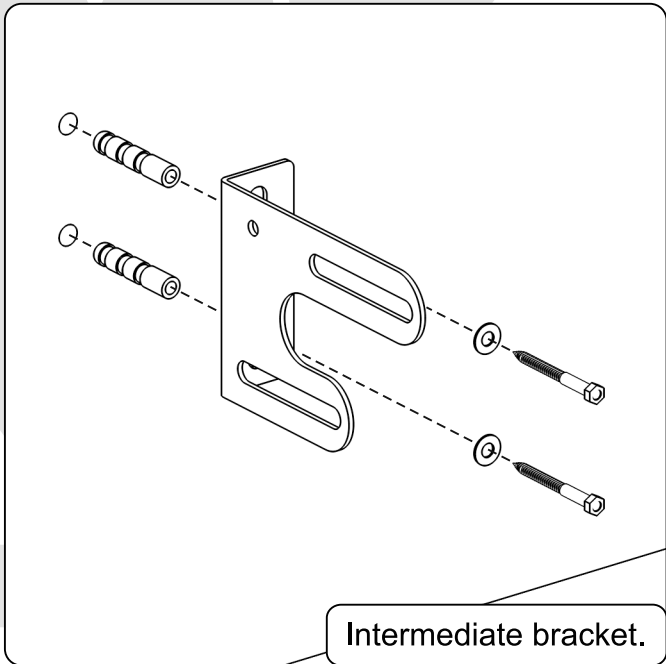
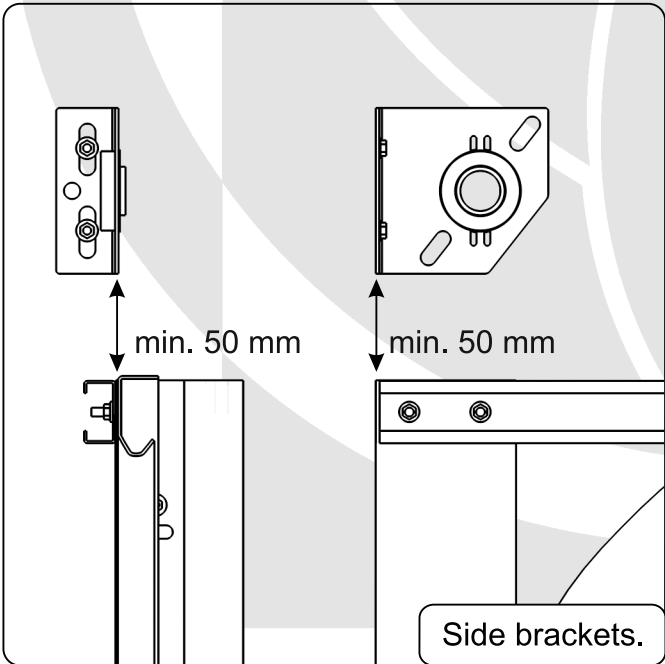
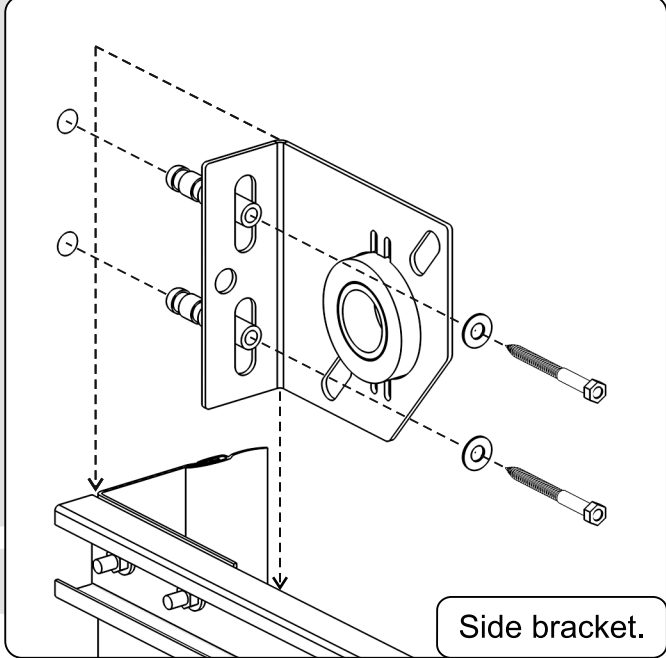
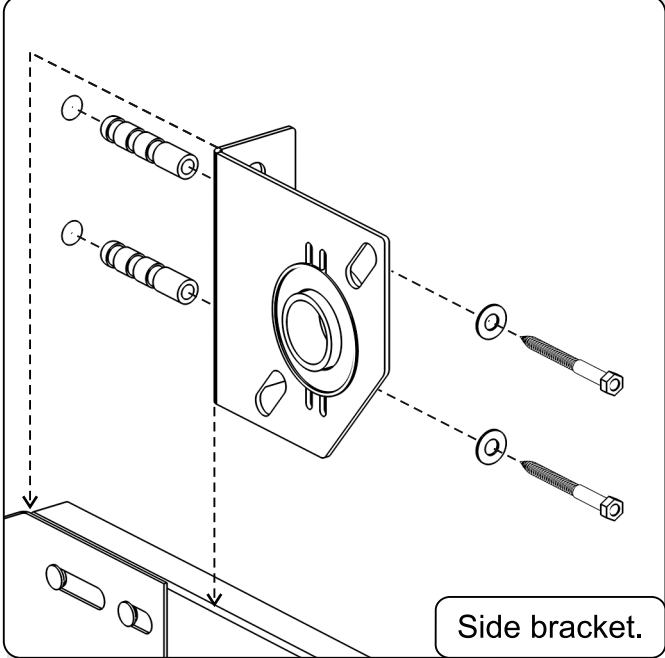
Installing crossbar.

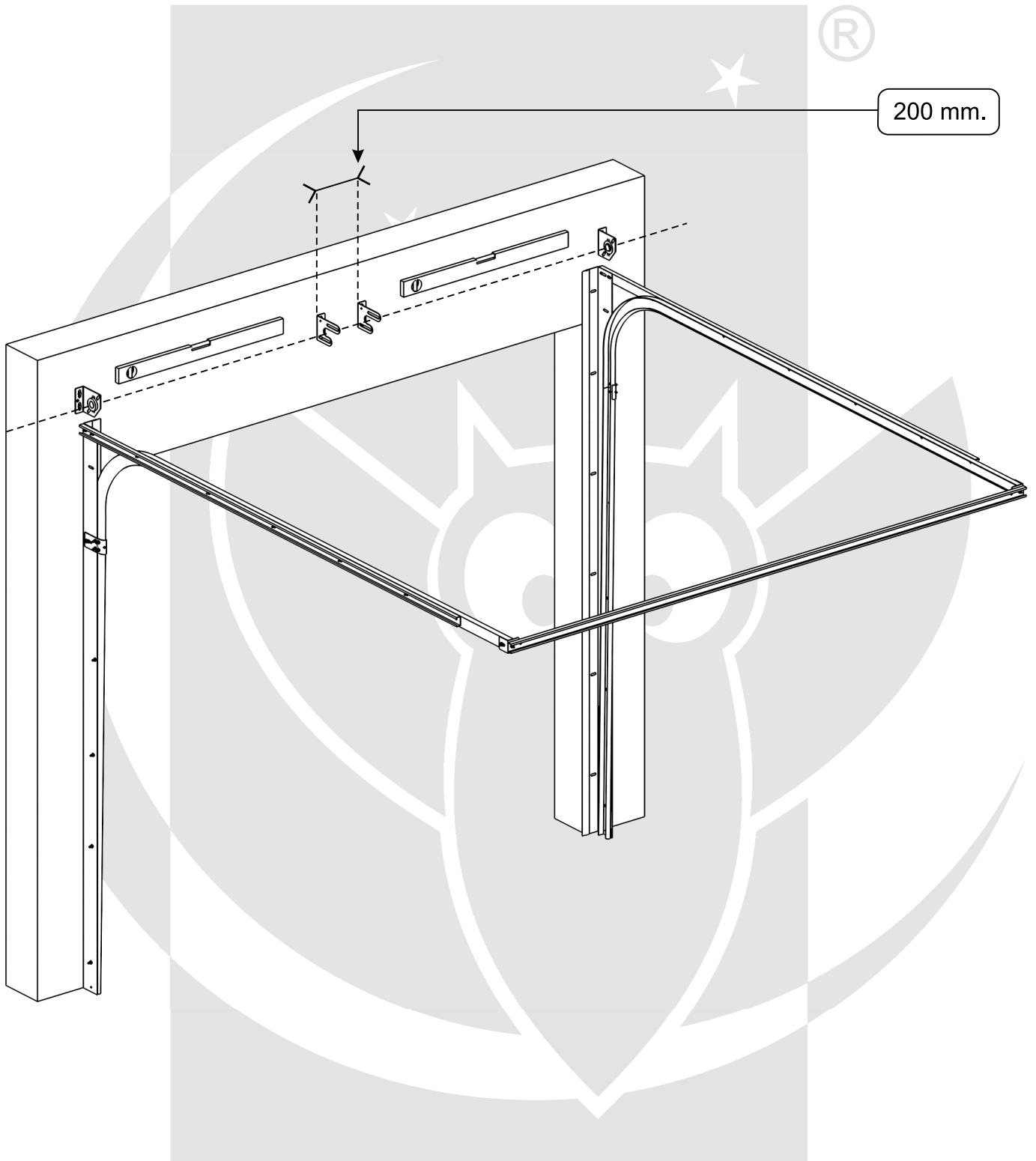


Fix the crossbar to the ends of the horizontal tracks with angles.



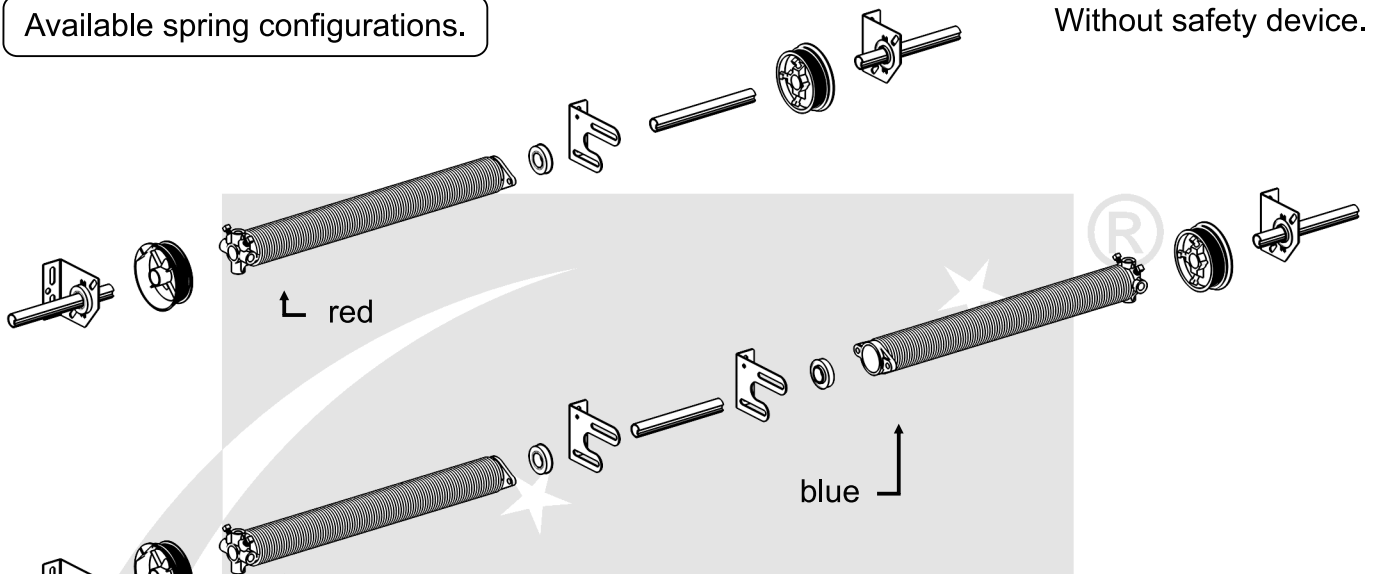
Installing brackets.



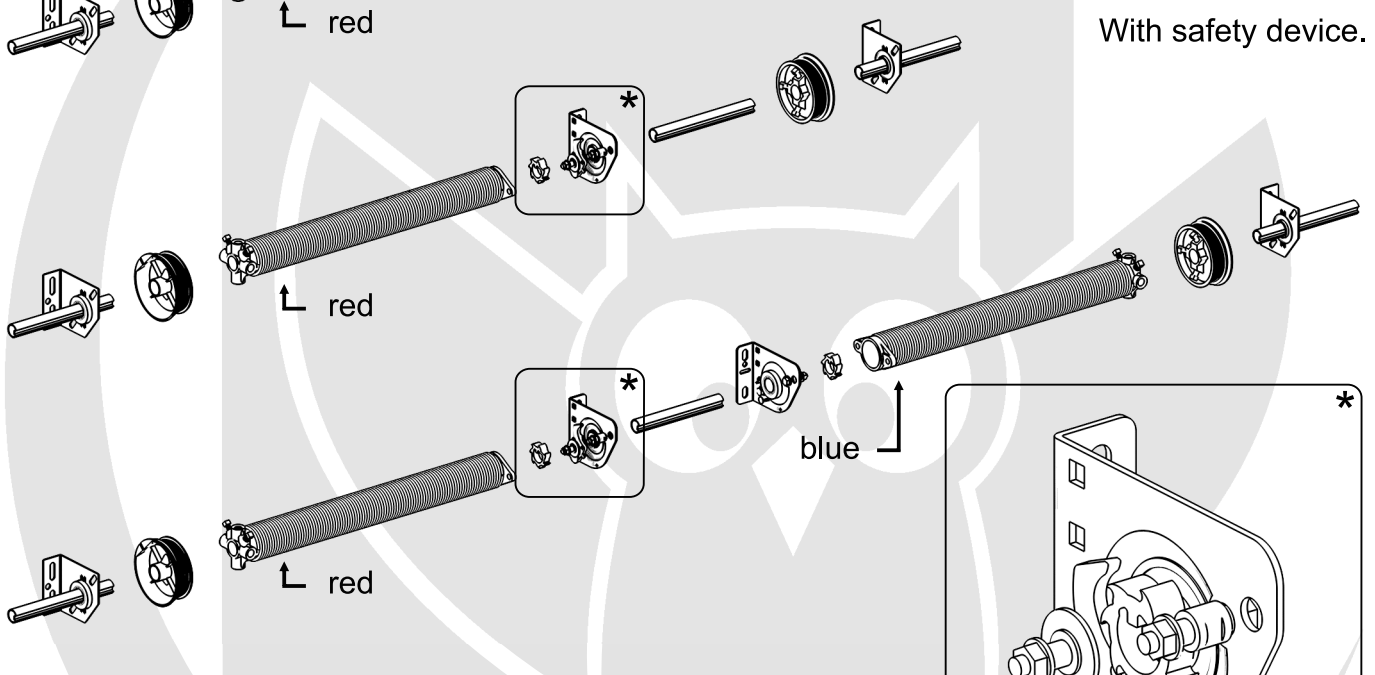


Available spring configurations.

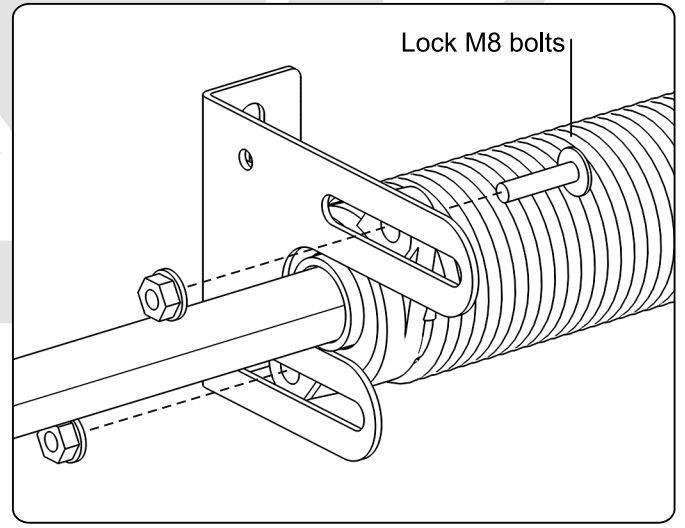
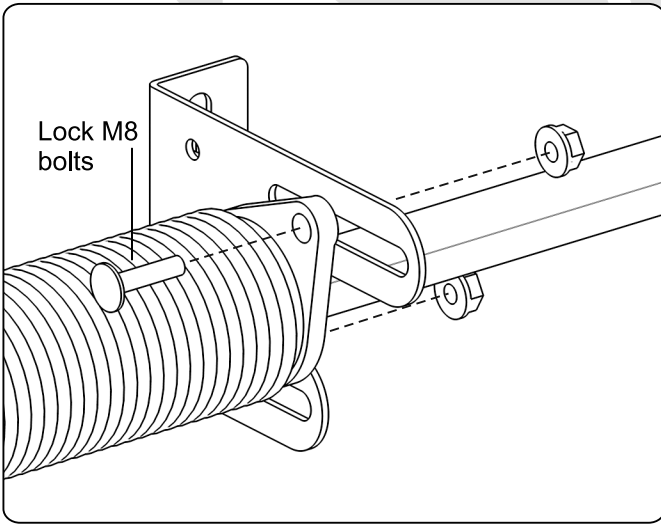
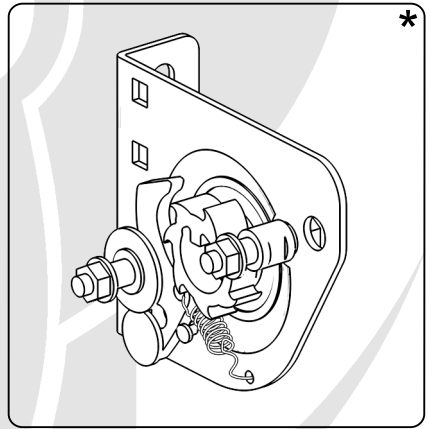
Without safety device.



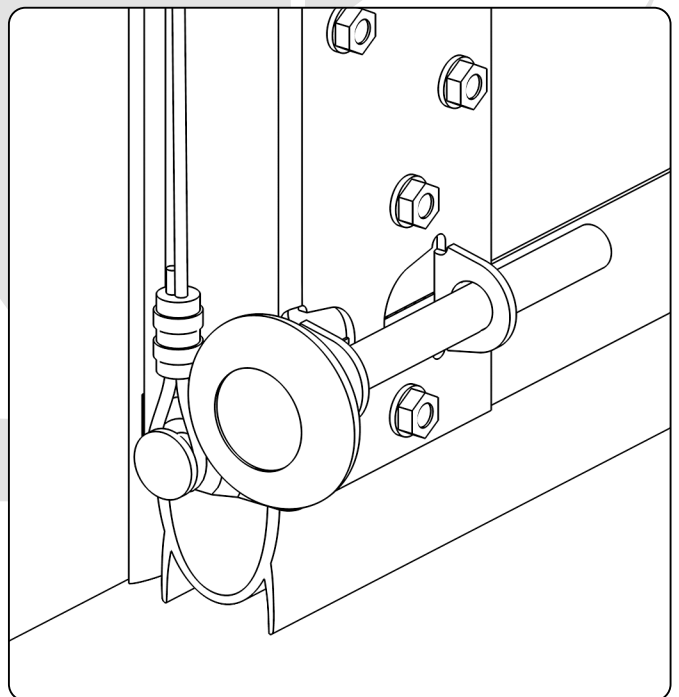
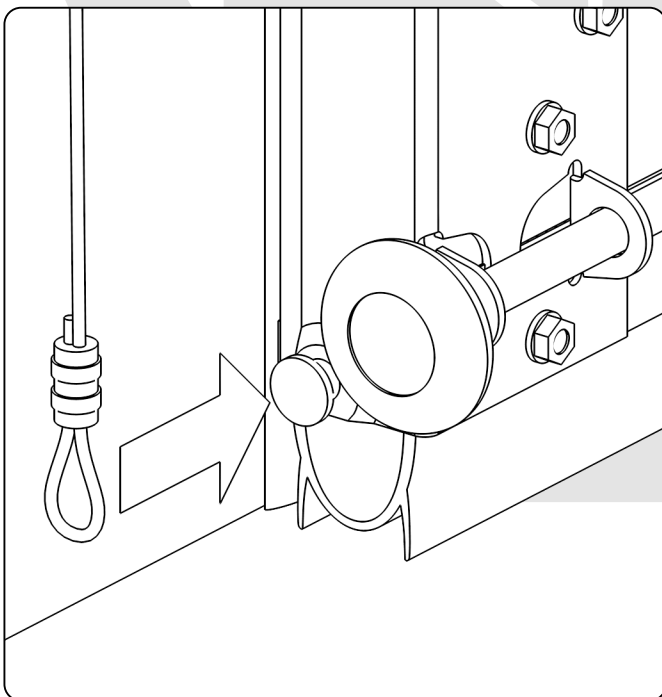
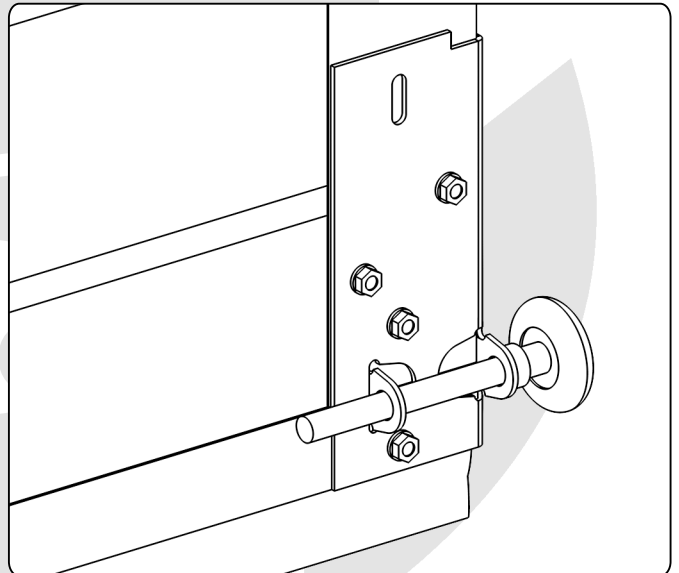
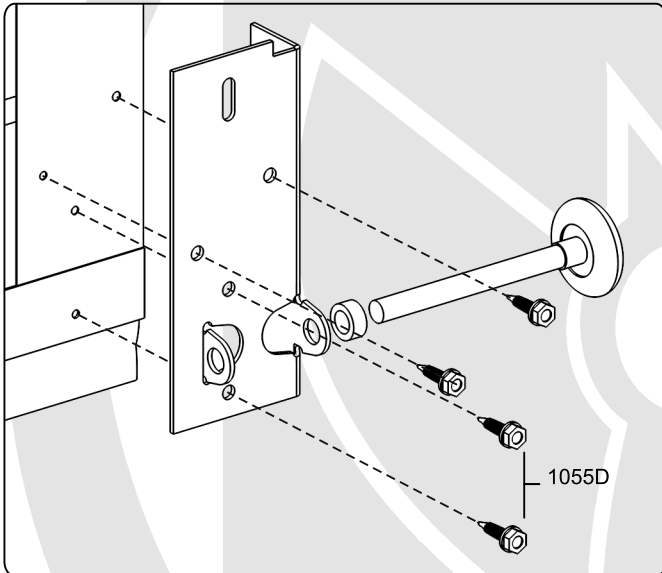
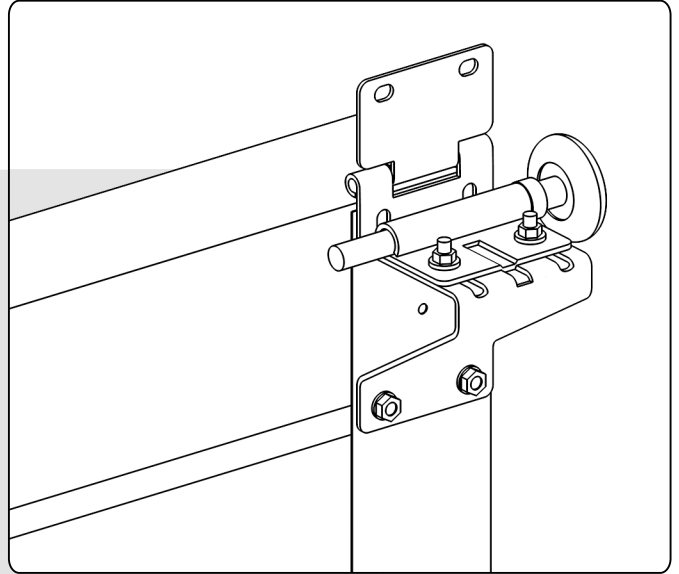
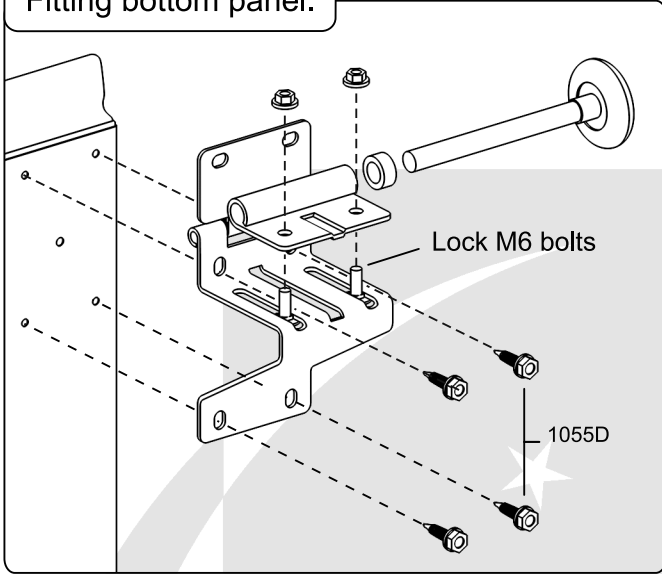
With safety device.

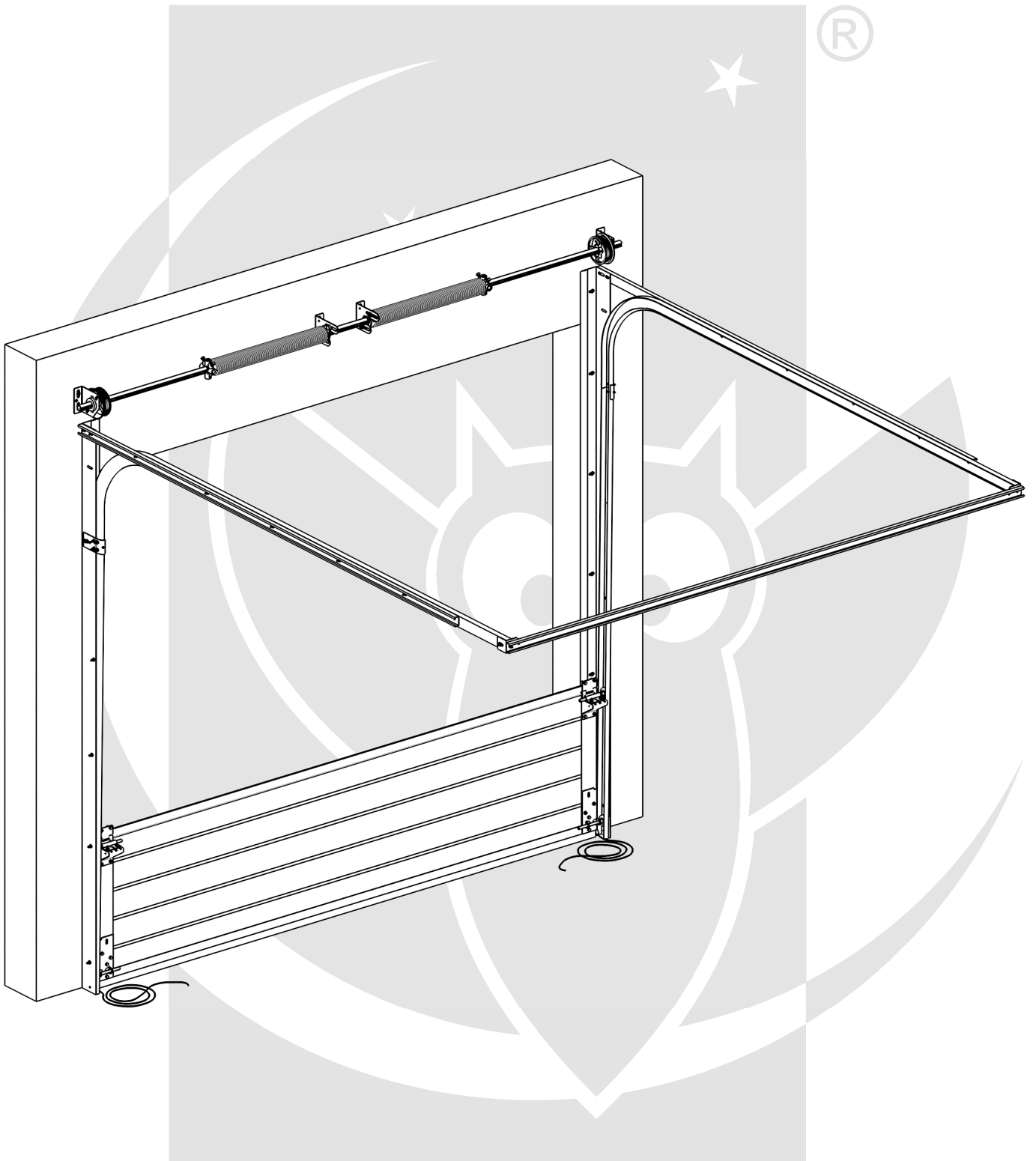


For door width over 4500 mm install the safety device* protecting against the effects of spring breaking. →

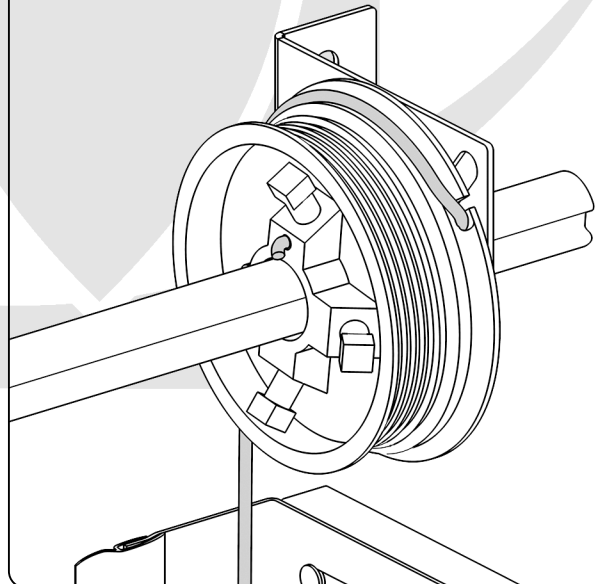
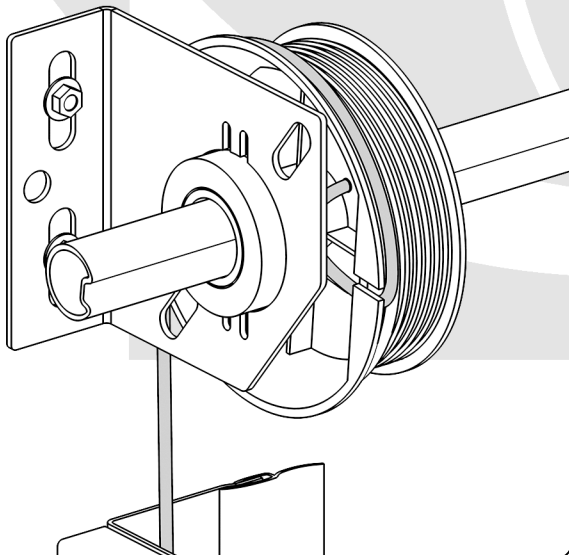
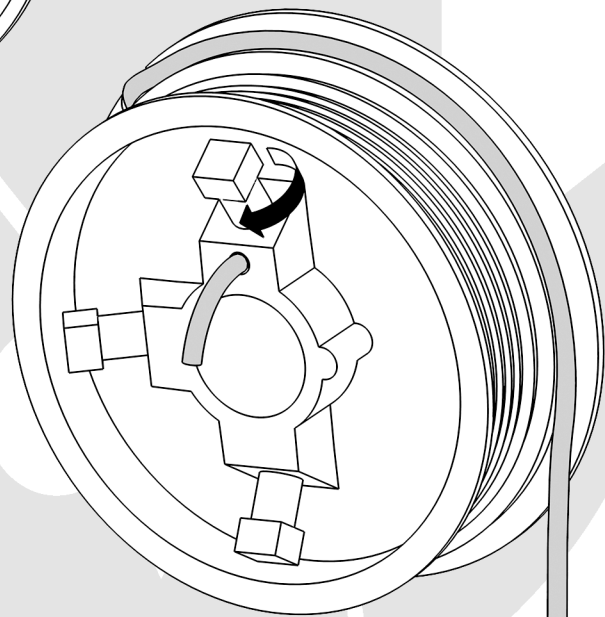
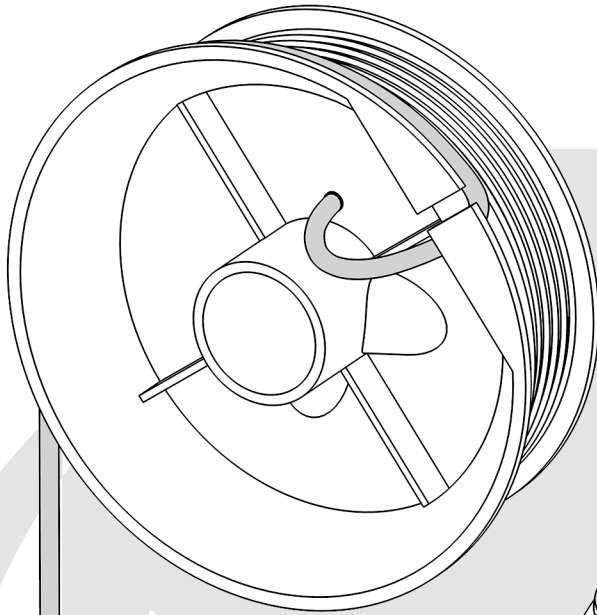


Fitting bottom panel.



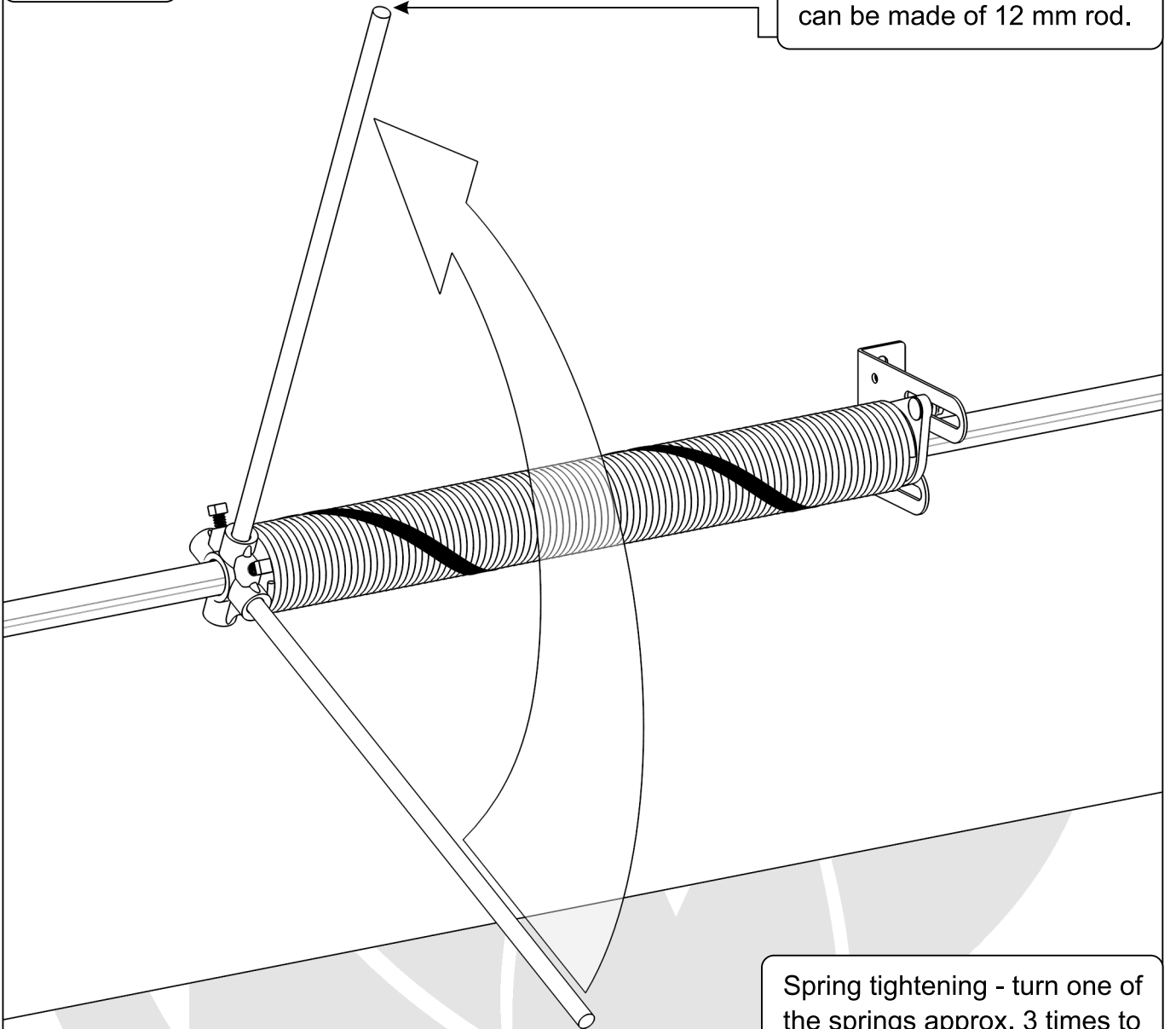


Cable installation on the drum.



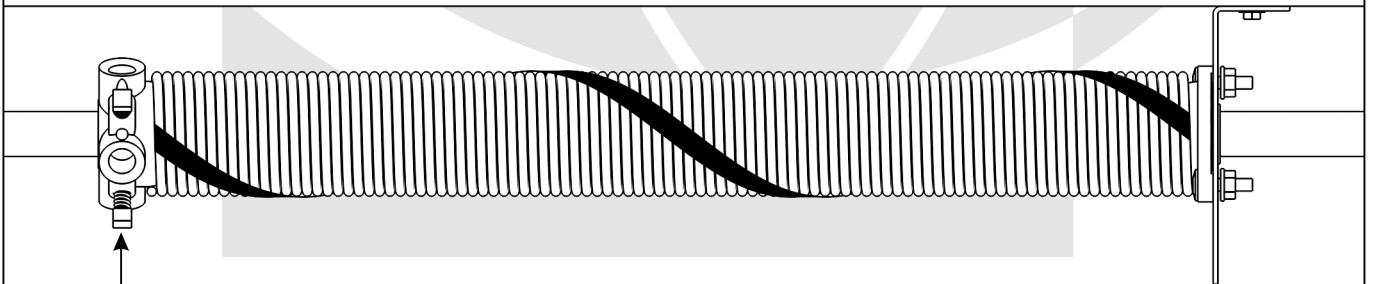
Red spring.

Rods for spring tensioning
can be made of 12 mm rod.



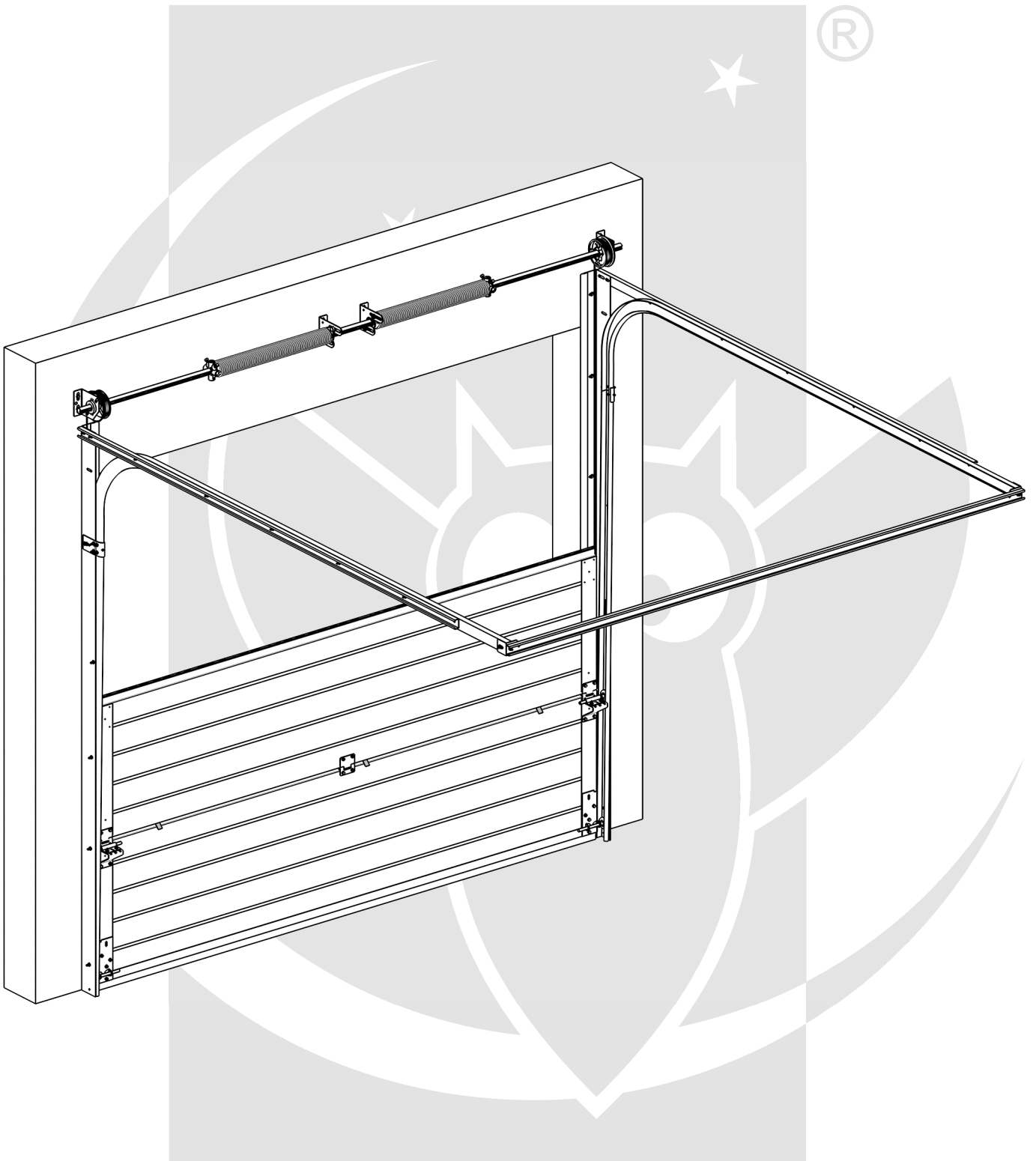
Spring tightening - turn one of
the springs approx. 3 times to
tighten the cable.

Red spring.

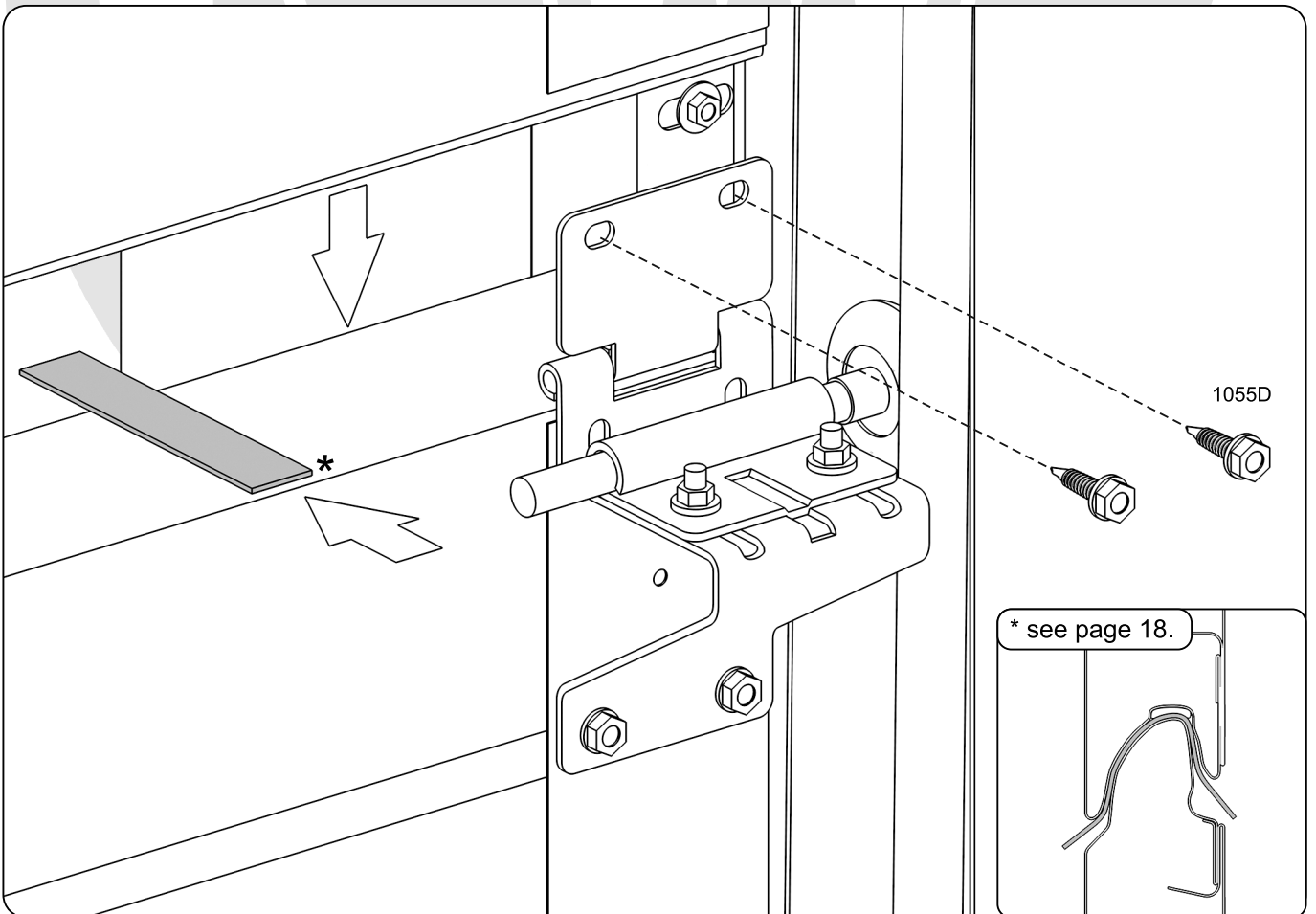
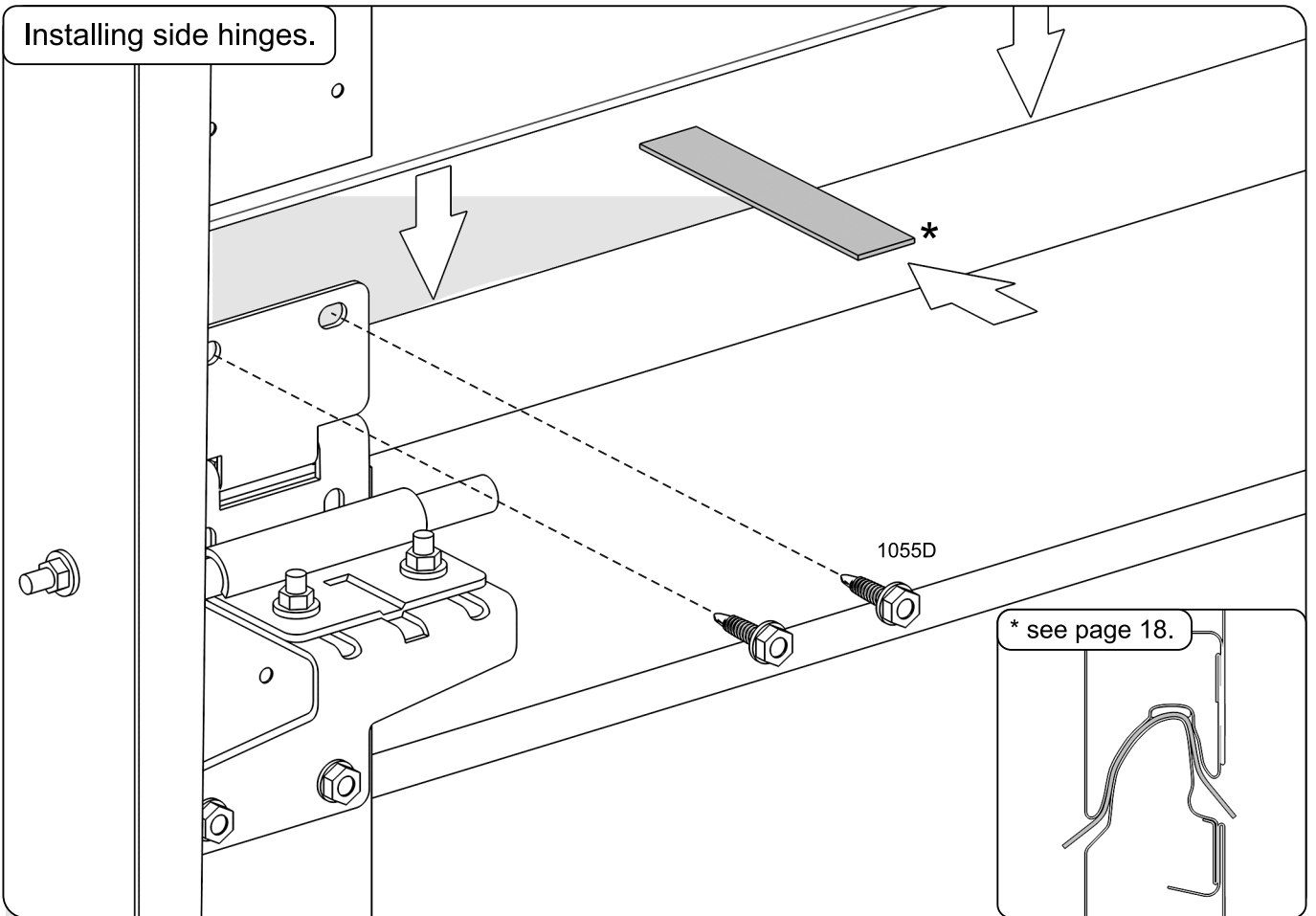


Fix the spring to the shaft with lock bolts.

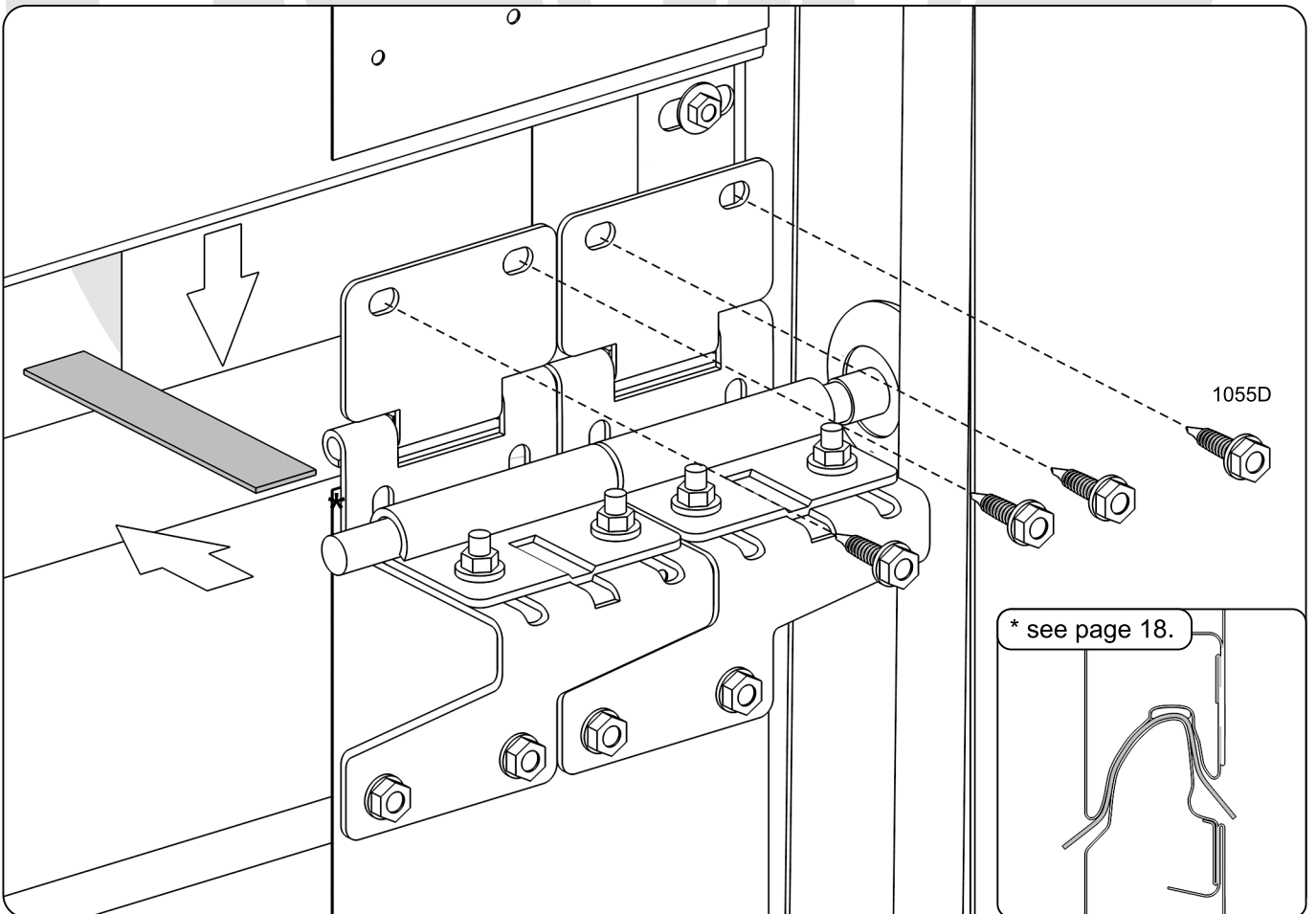
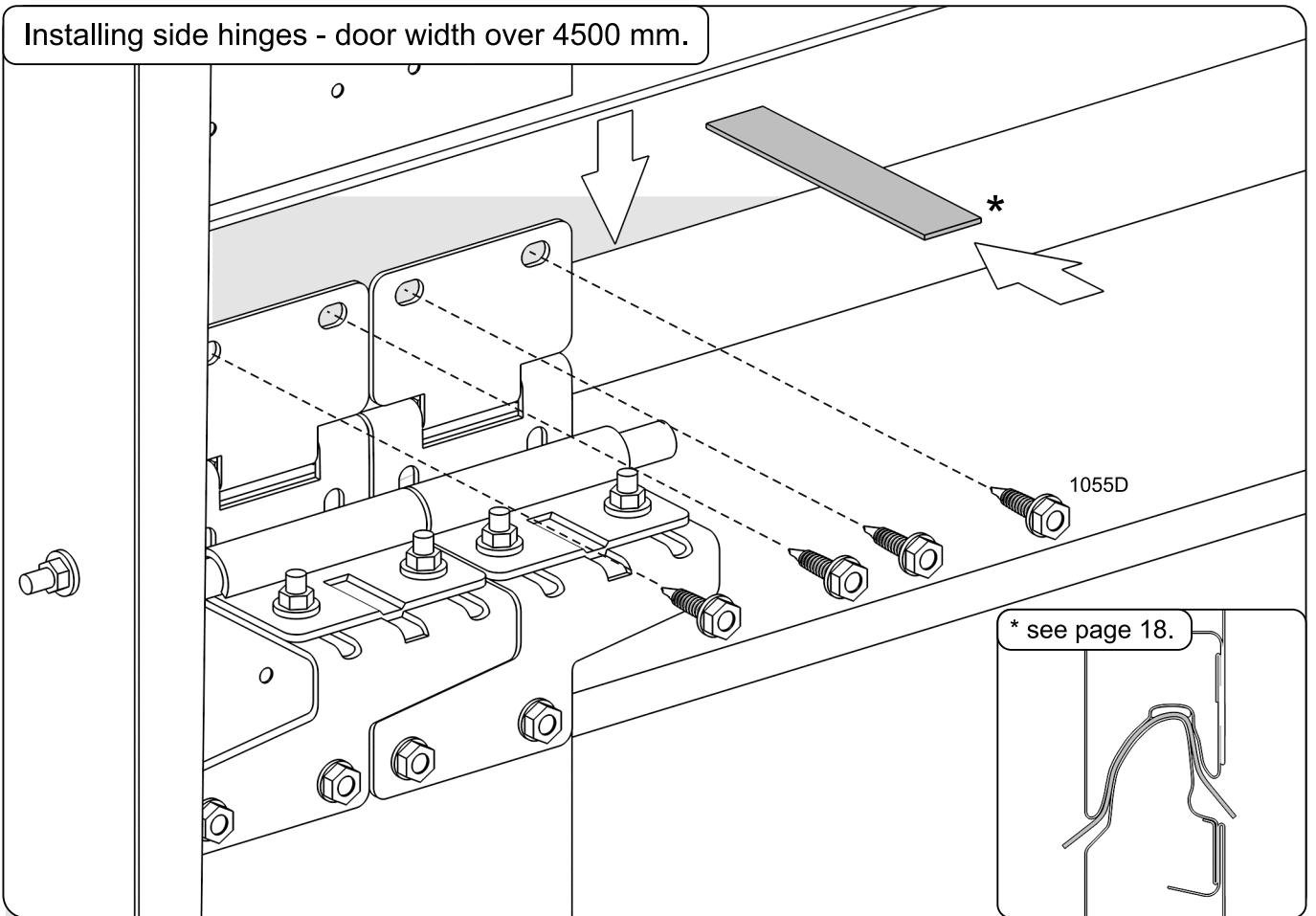
Installing panels.



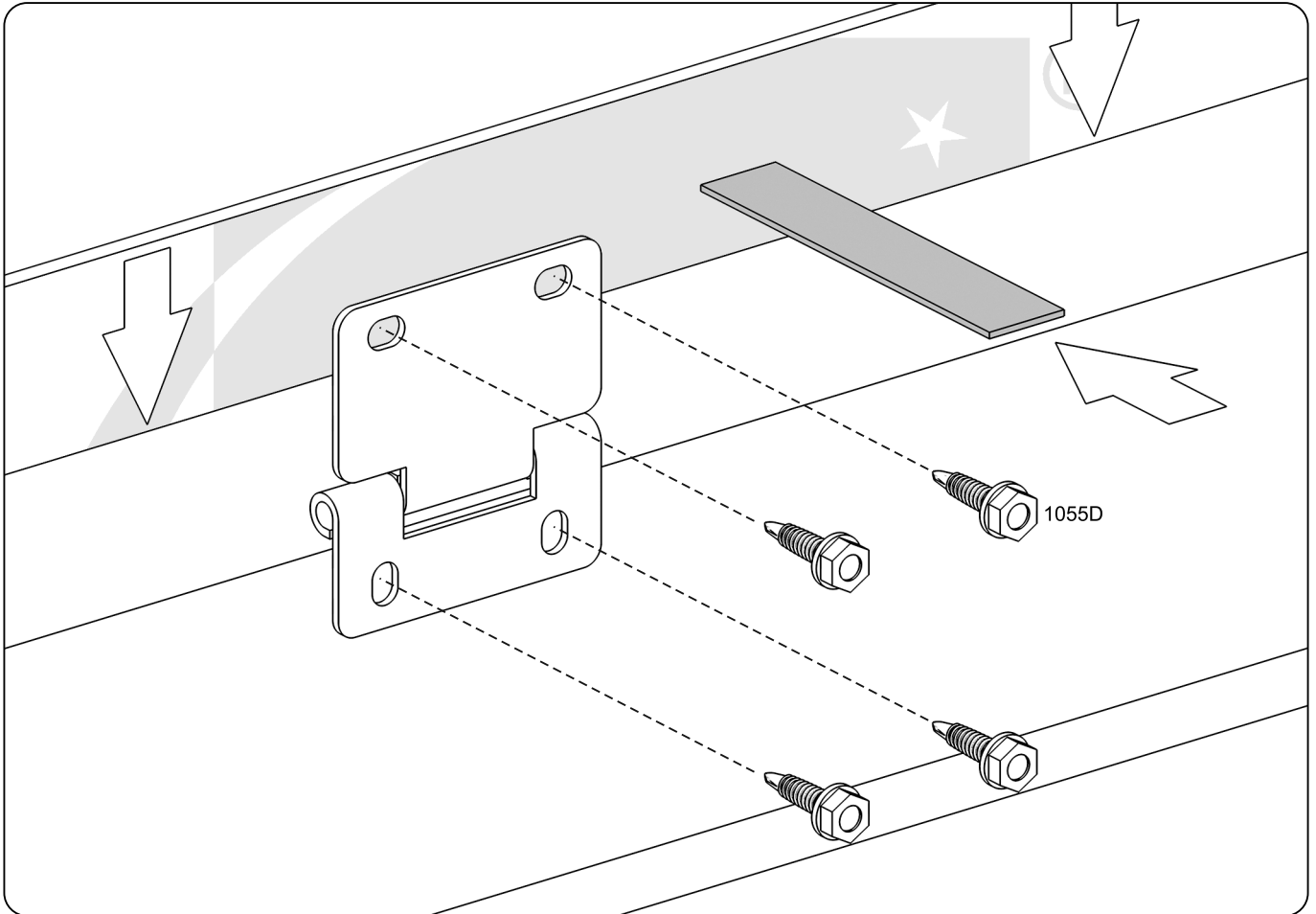
Installing side hinges.



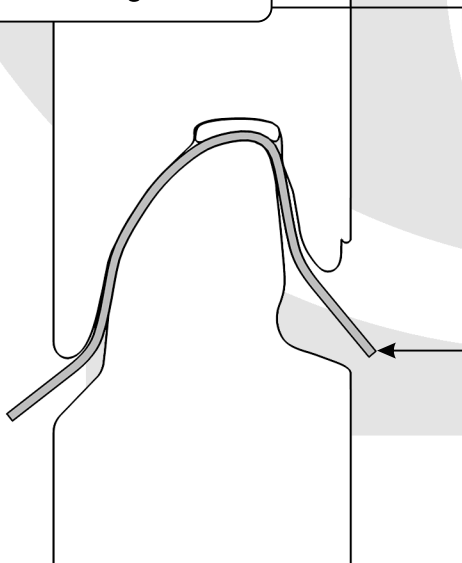
Installing side hinges - door width over 4500 mm.



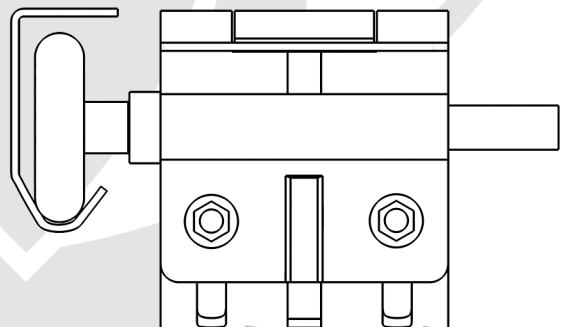
Installing intermediate hinges.

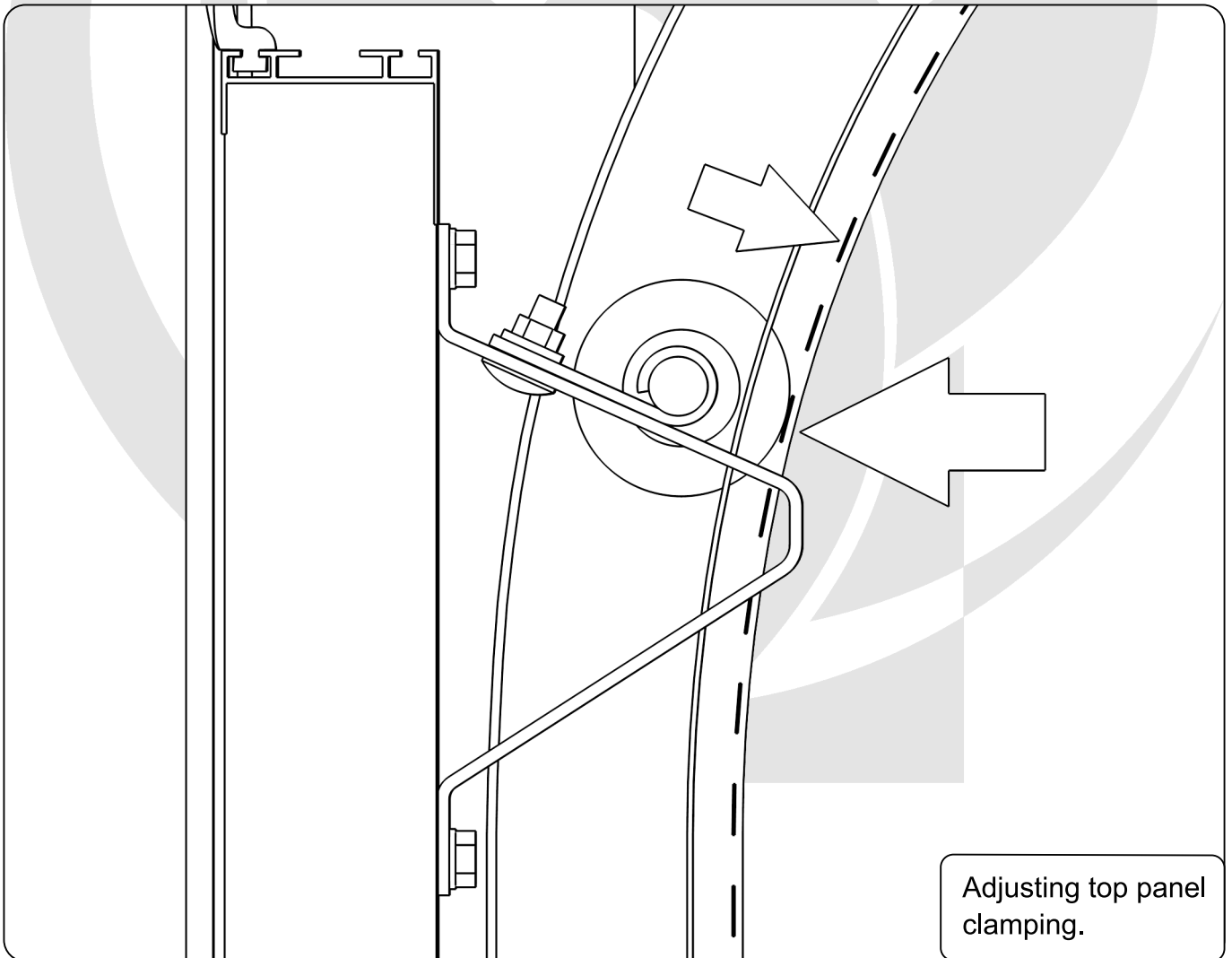
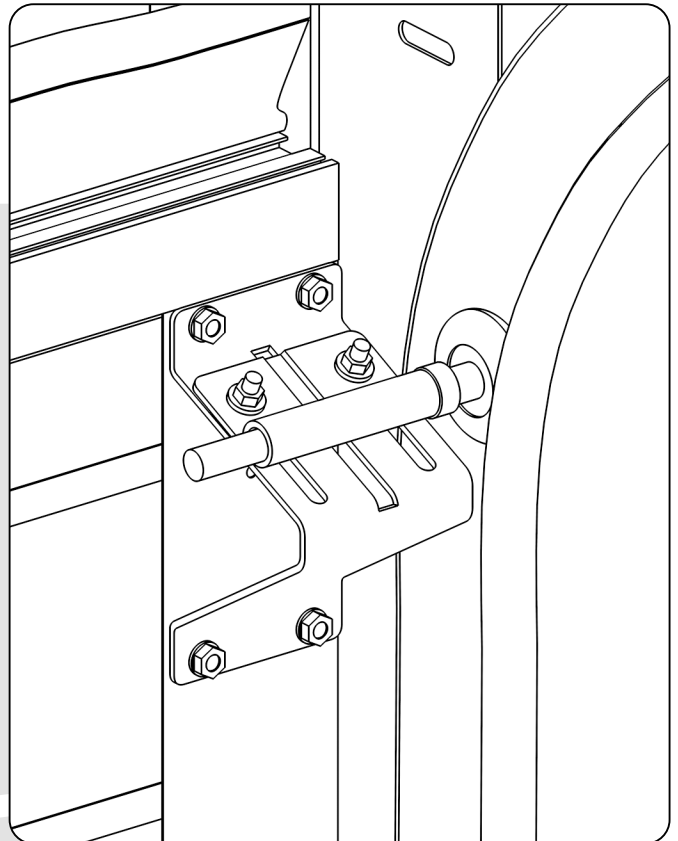
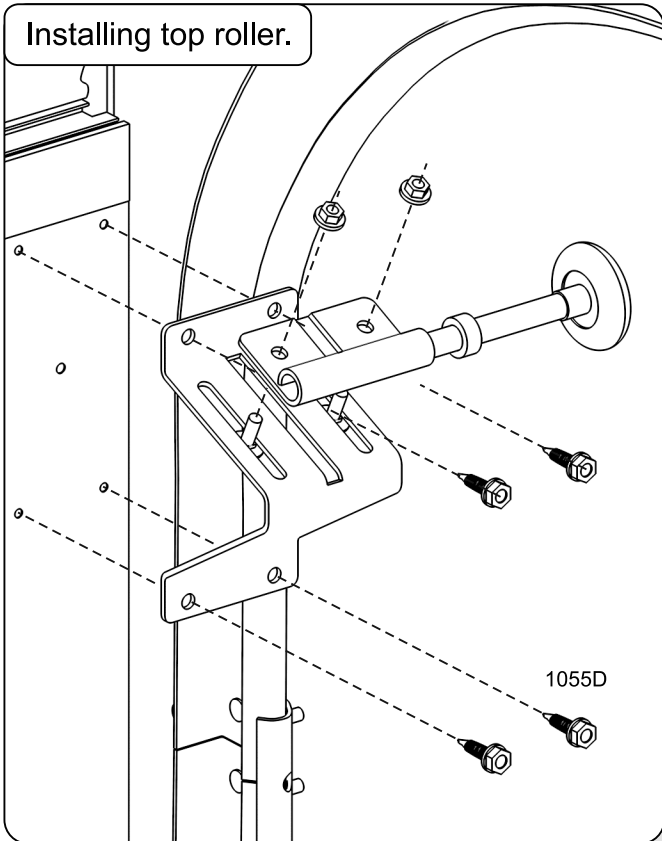


Use spacers between the panels at the hinges.

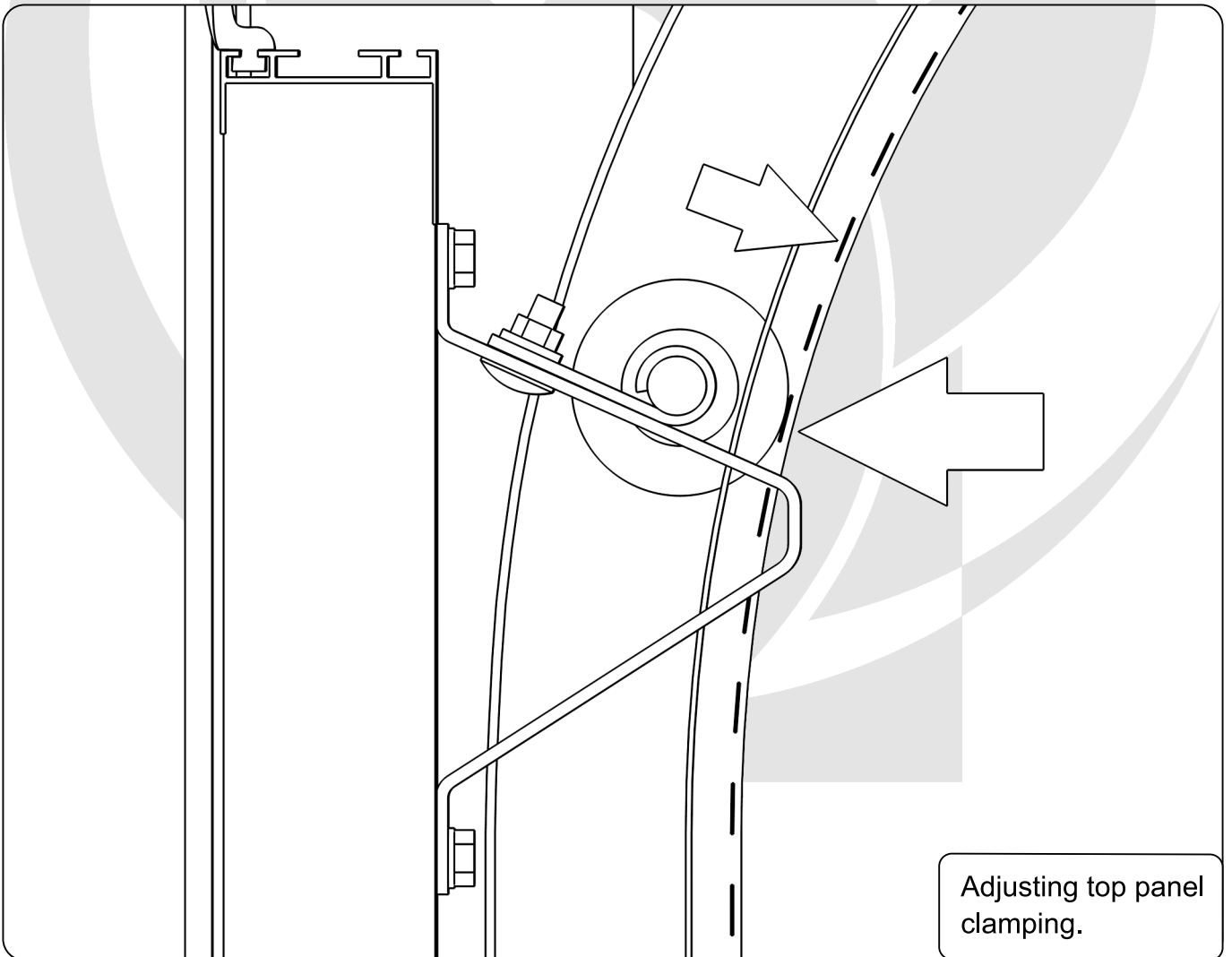
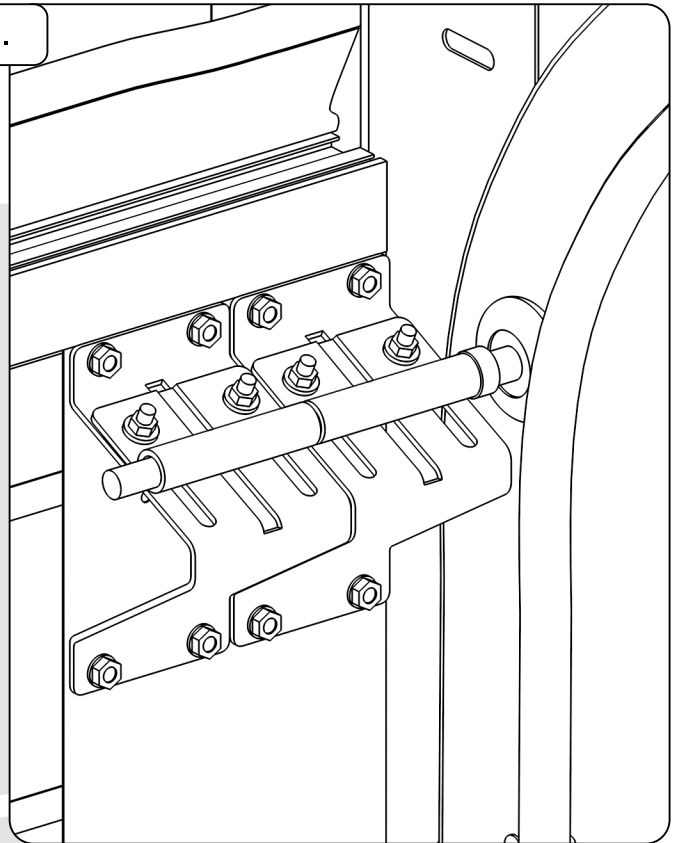
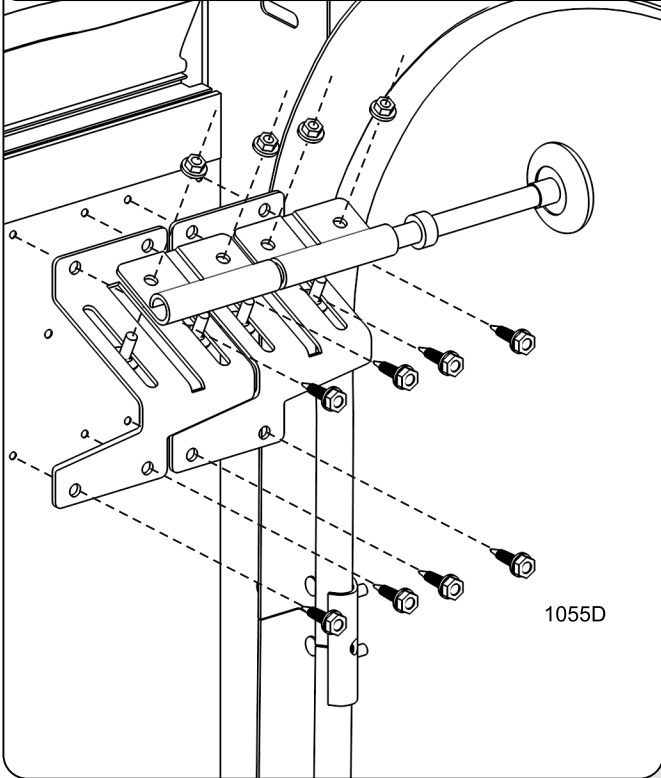


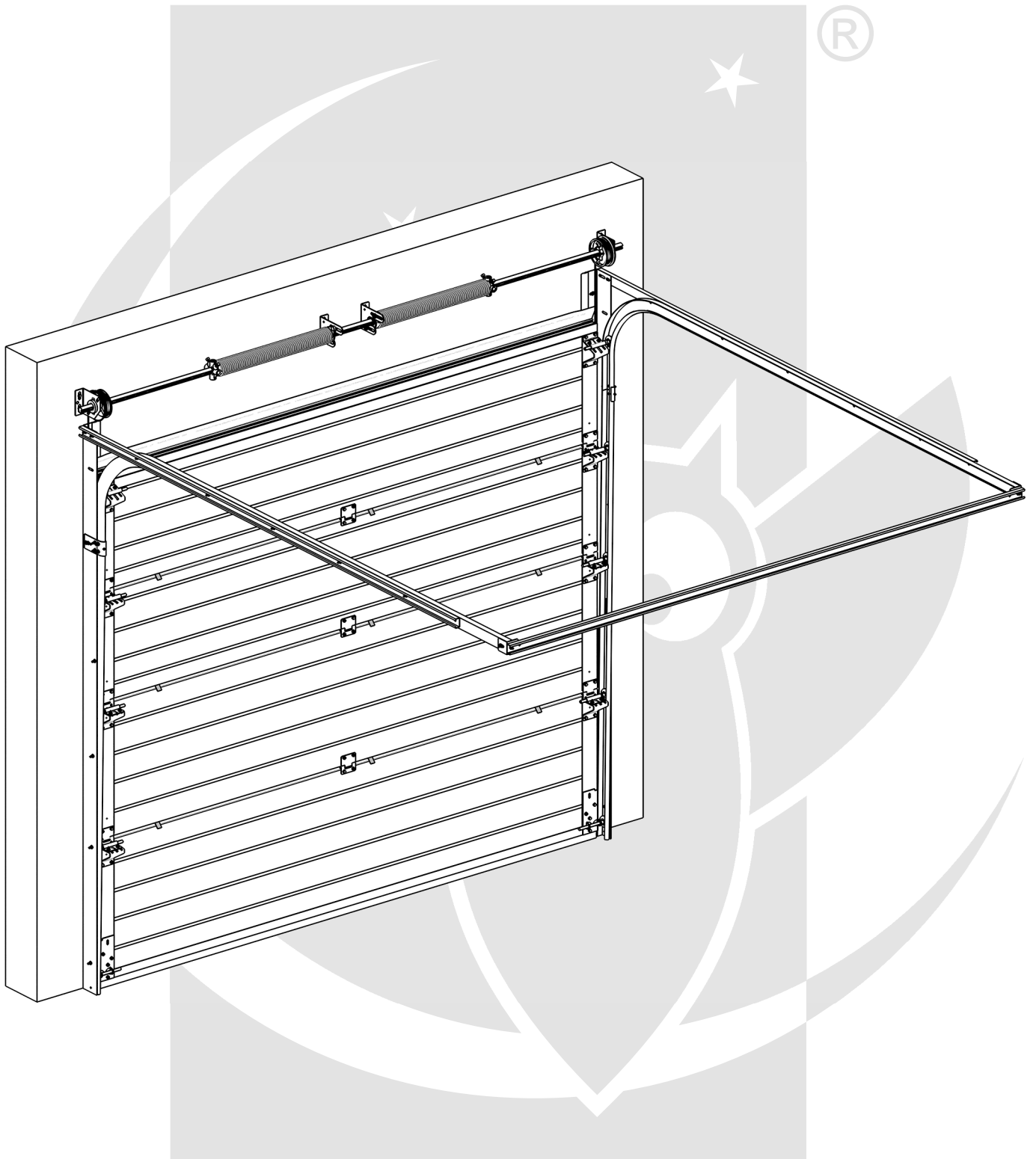
Side hinge - top view.

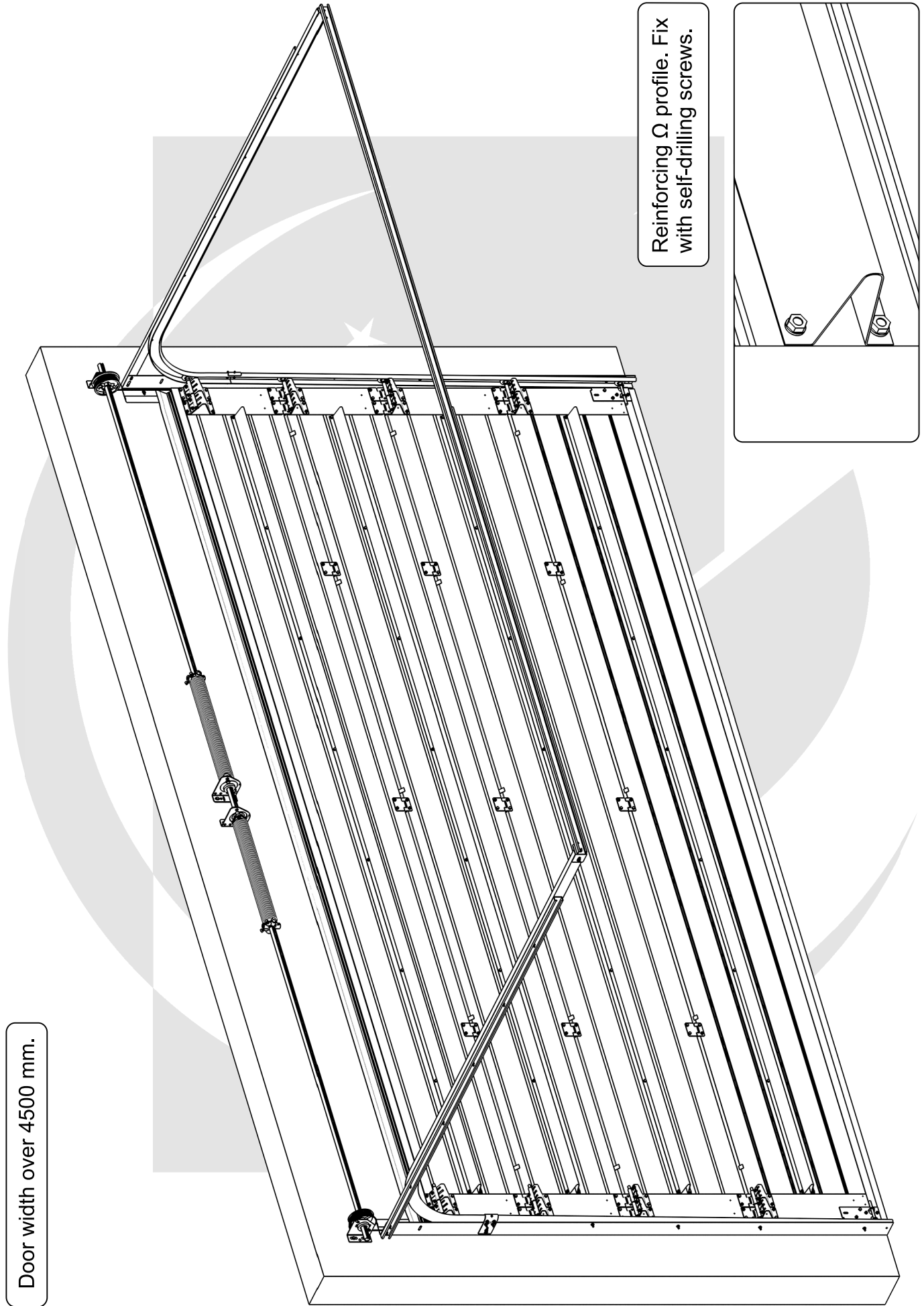




Installing top roller - door width over 4500 mm.

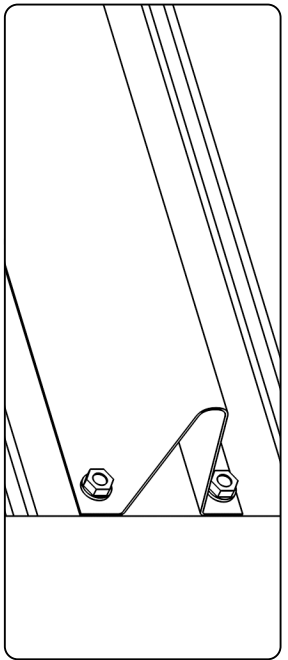




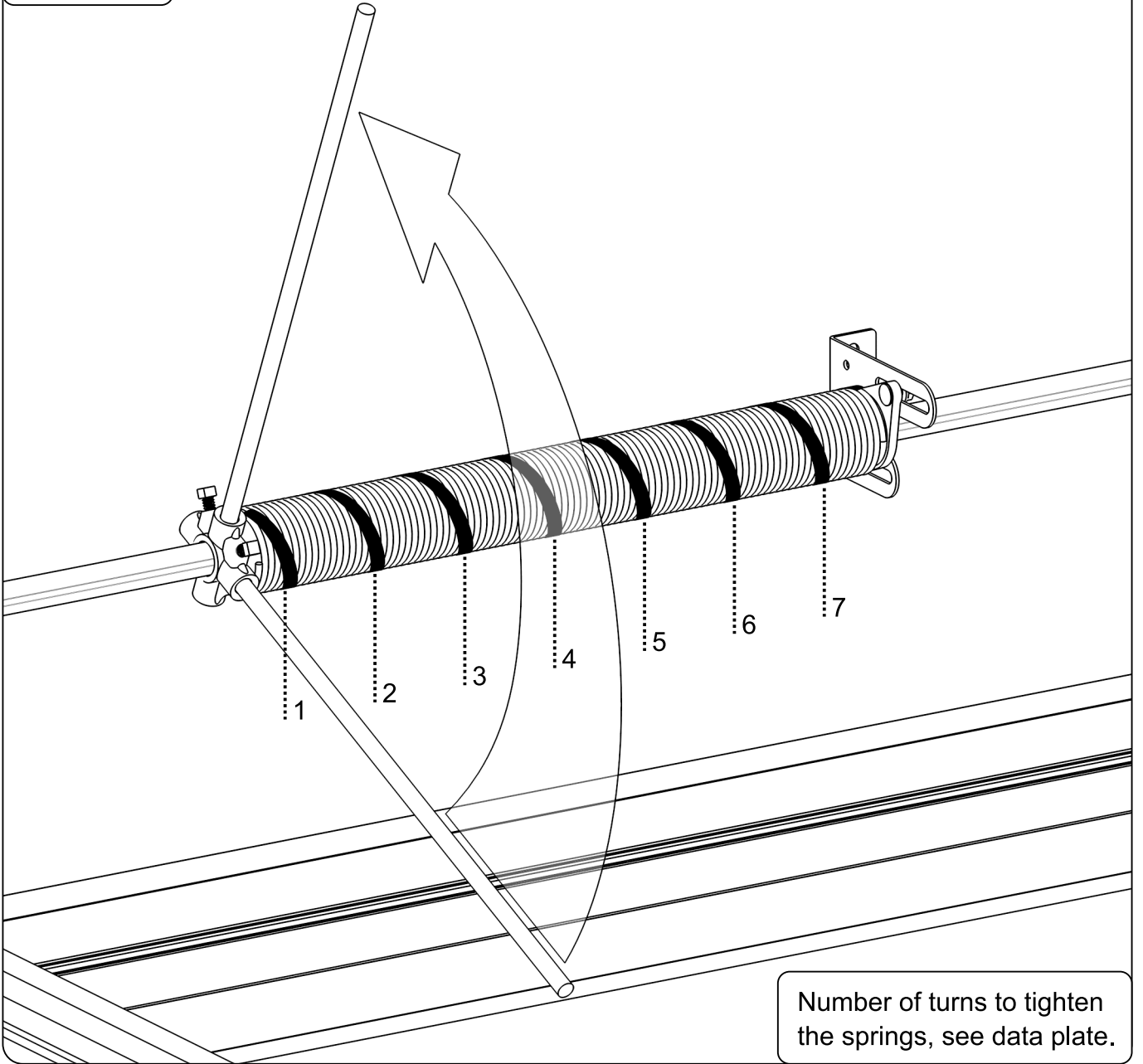


Door width over 4500 mm.

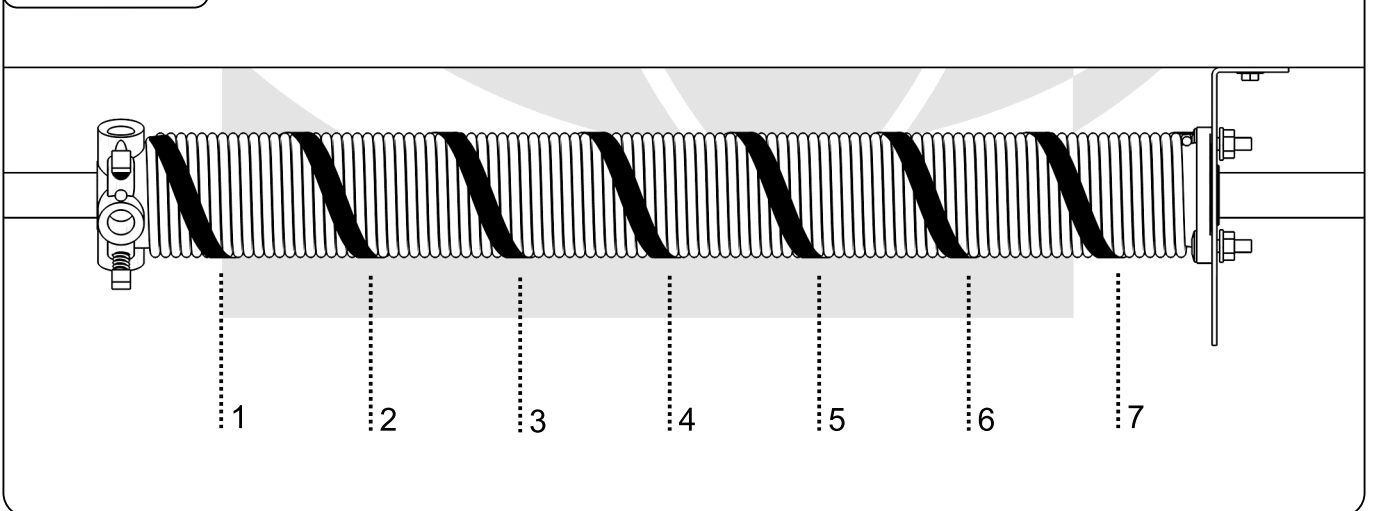
Reinforcing Ω profile. Fix with self-drilling screws.



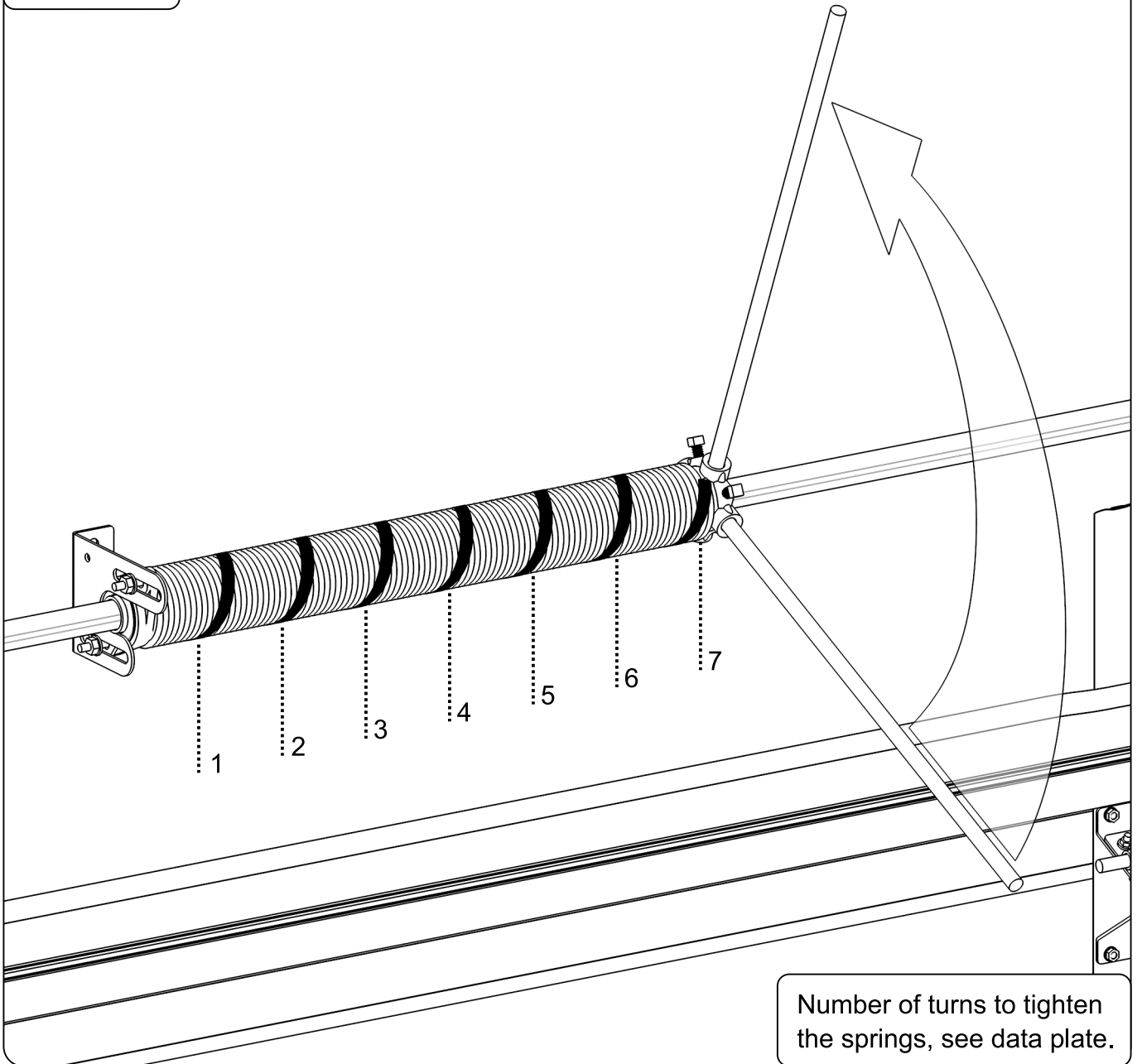
Red spring.



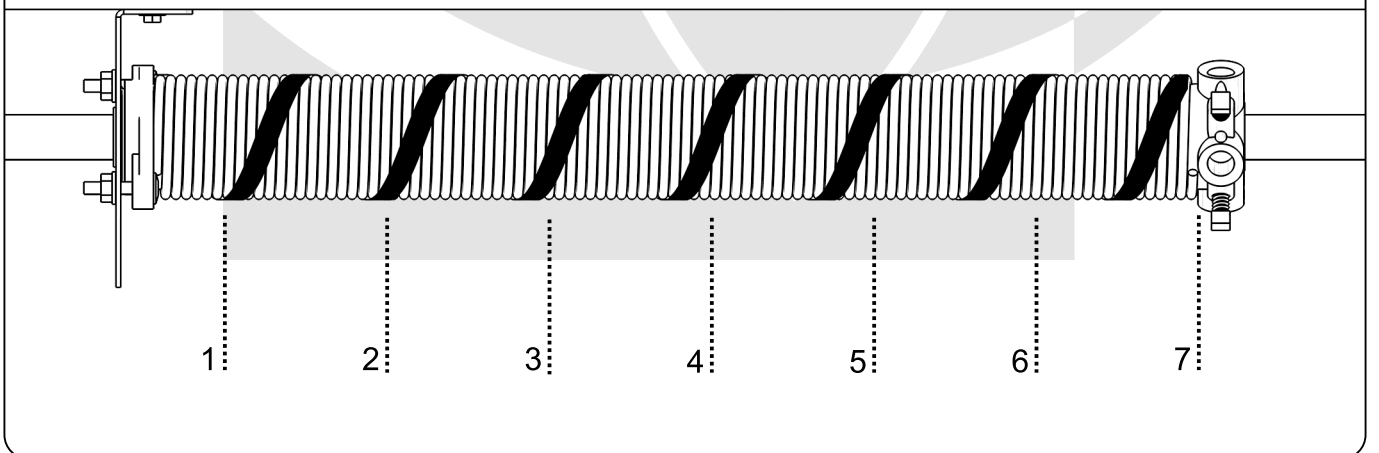
Red spring.

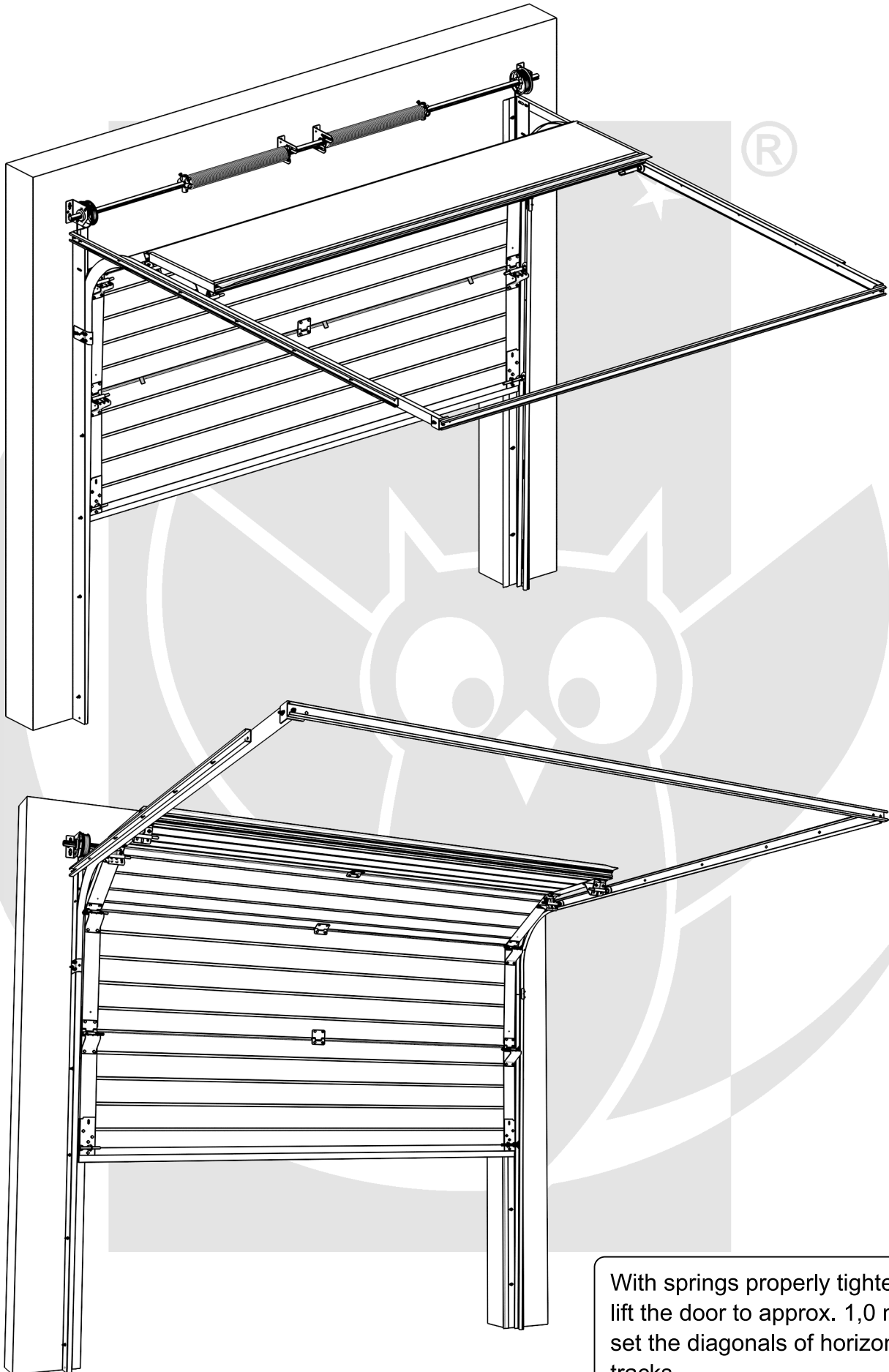


Blue spring.



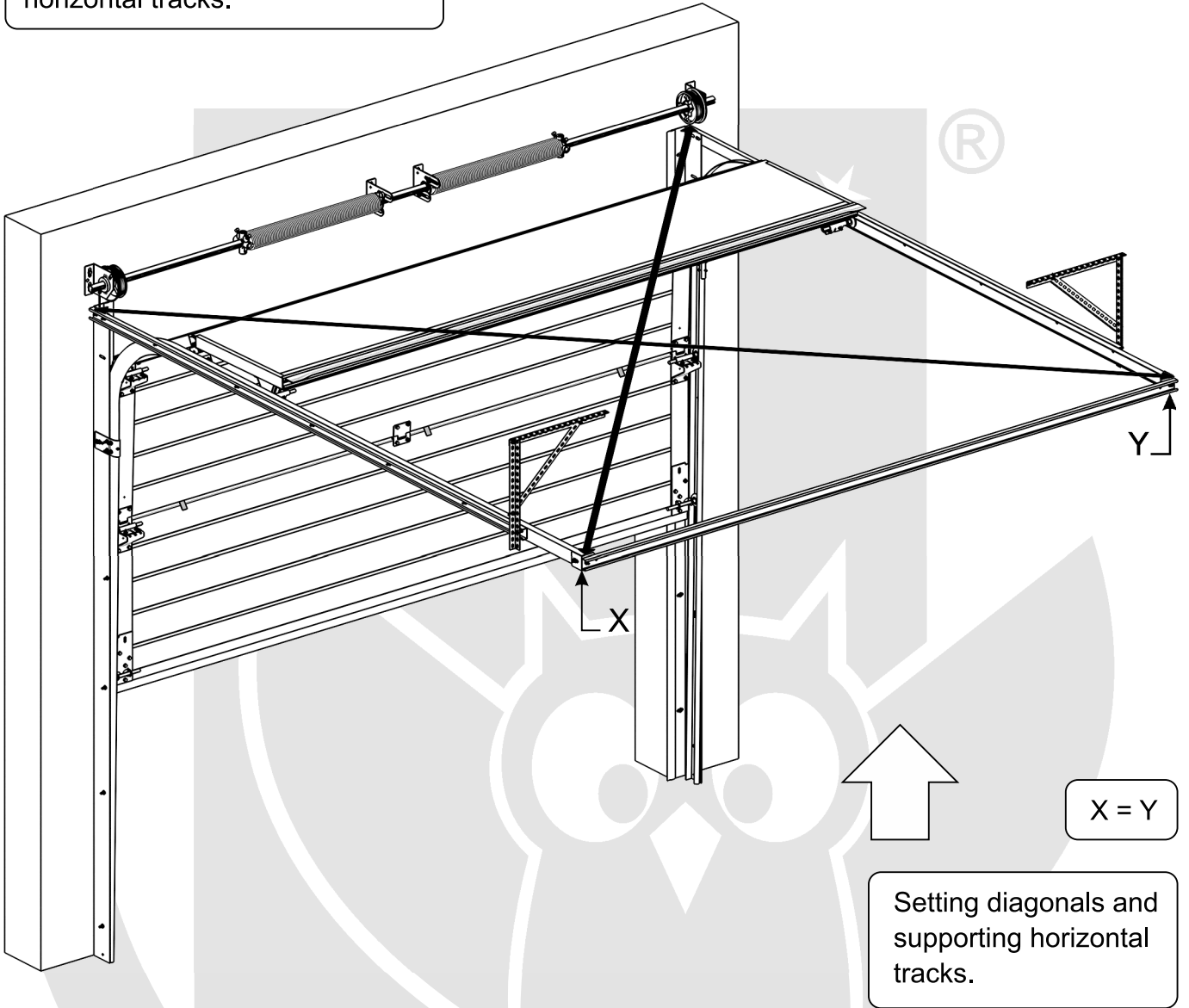
Blue spring.



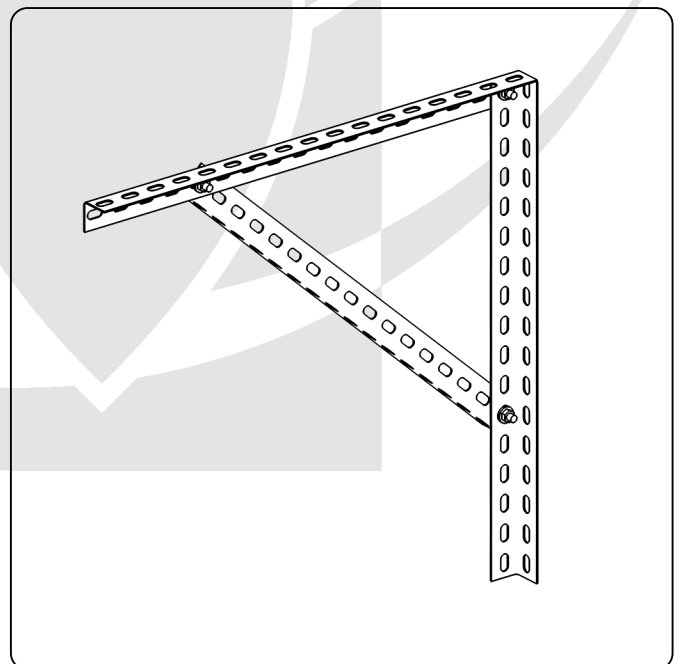
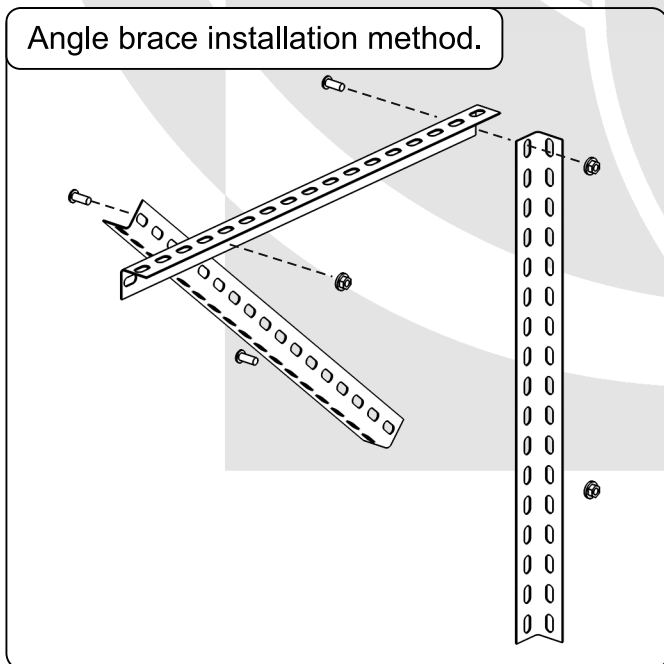


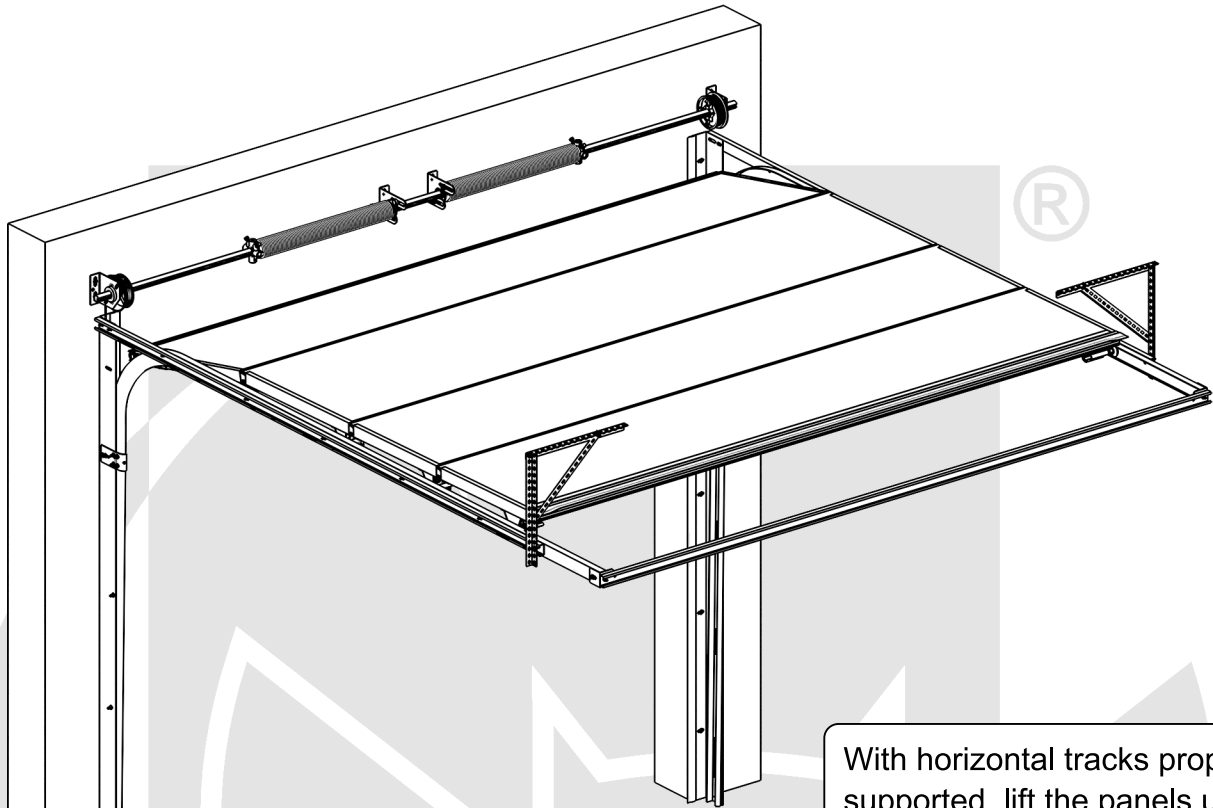
With springs properly tightened, lift the door to approx. 1,0 m to set the diagonals of horizontal tracks.

Setting diagonals and supporting horizontal tracks.

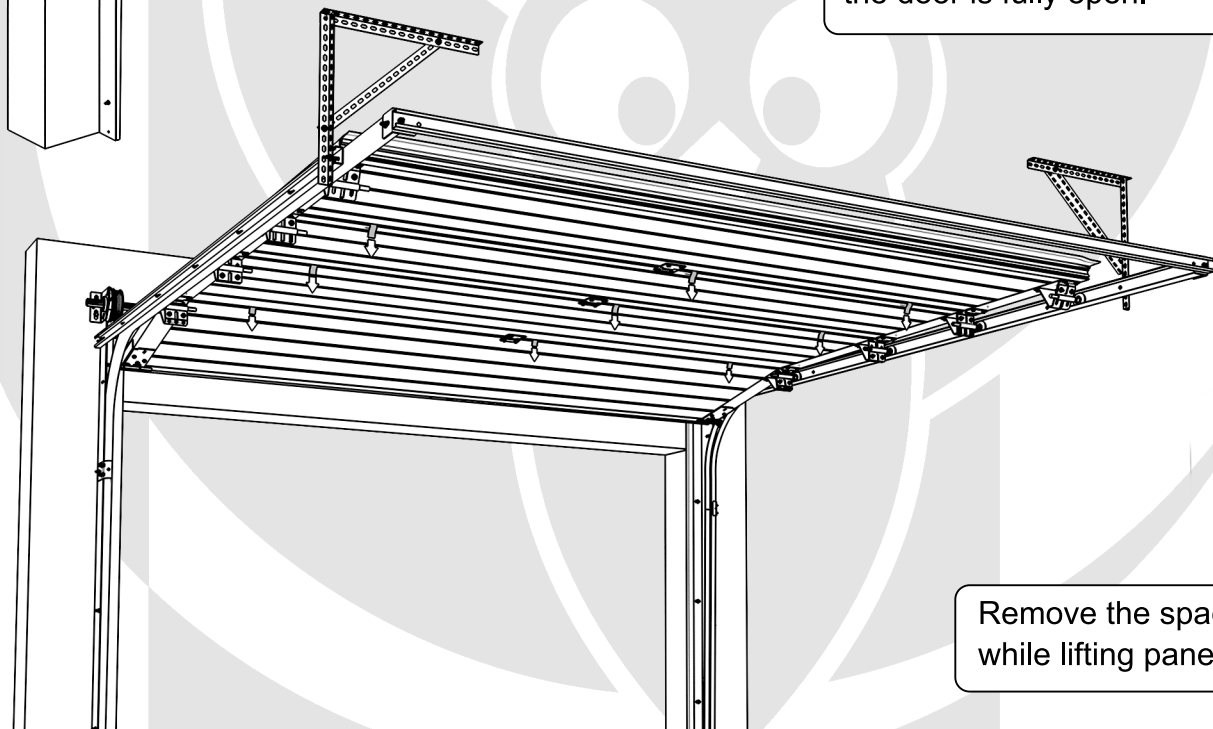


Angle brace installation method.

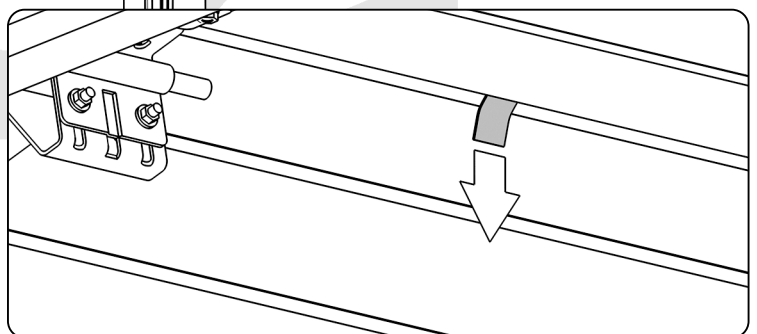


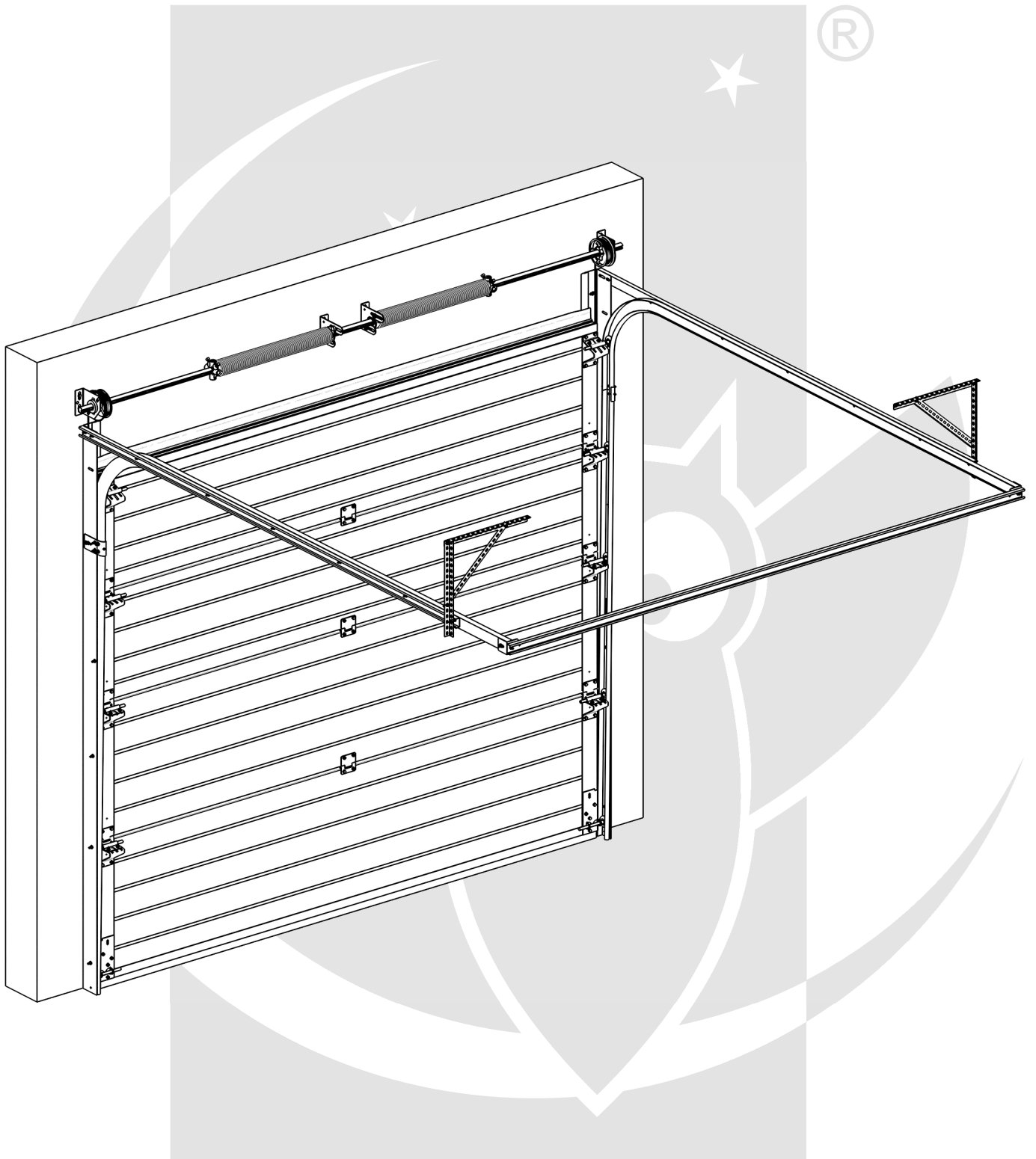


With horizontal tracks properly supported, lift the panels until the door is fully open.

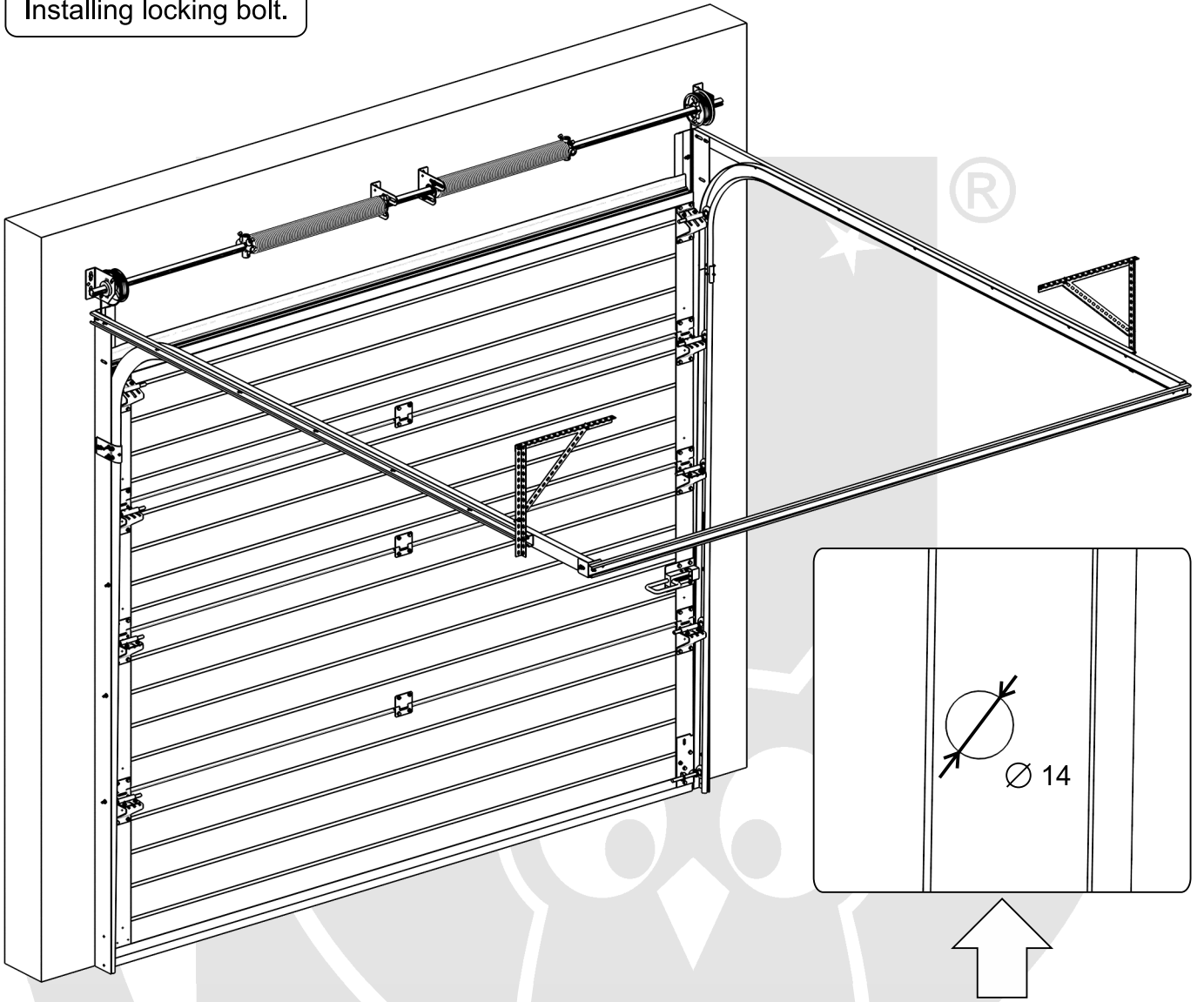


Remove the spacers while lifting panels.

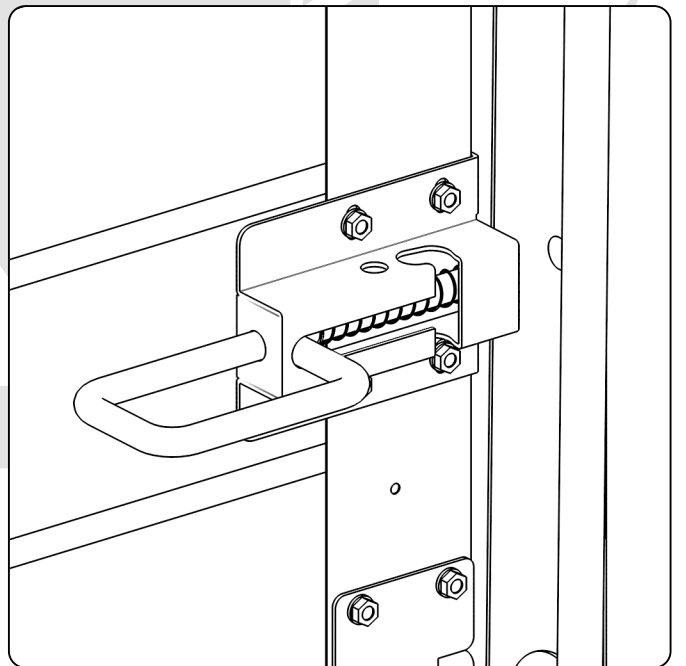
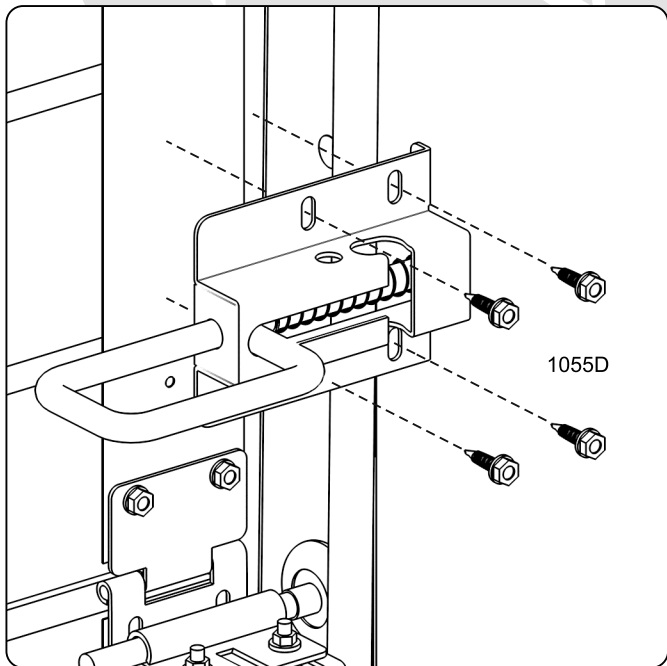




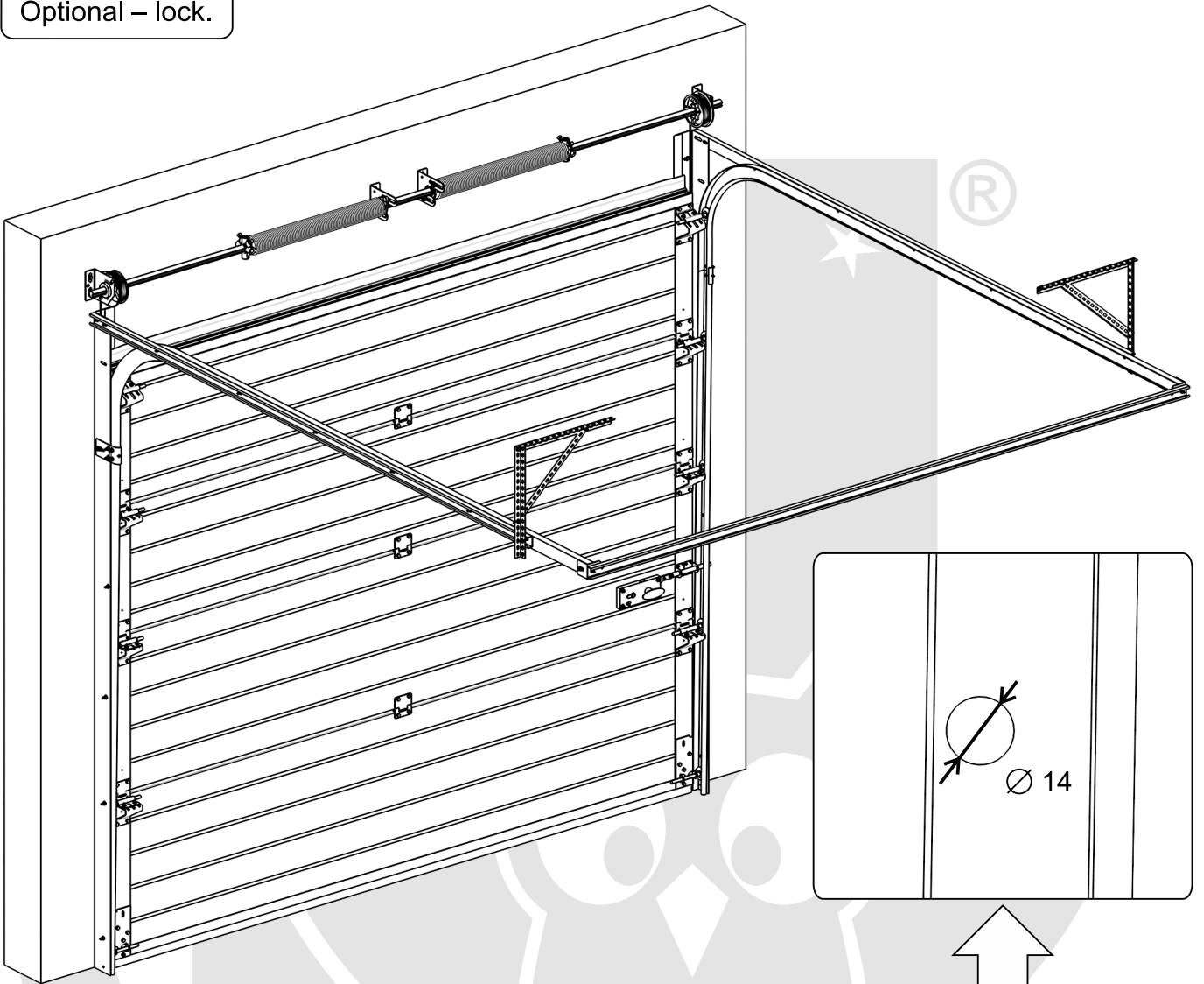
Installing locking bolt.



Drill $\varnothing 14$ mm hole for locking bolt in the side track.

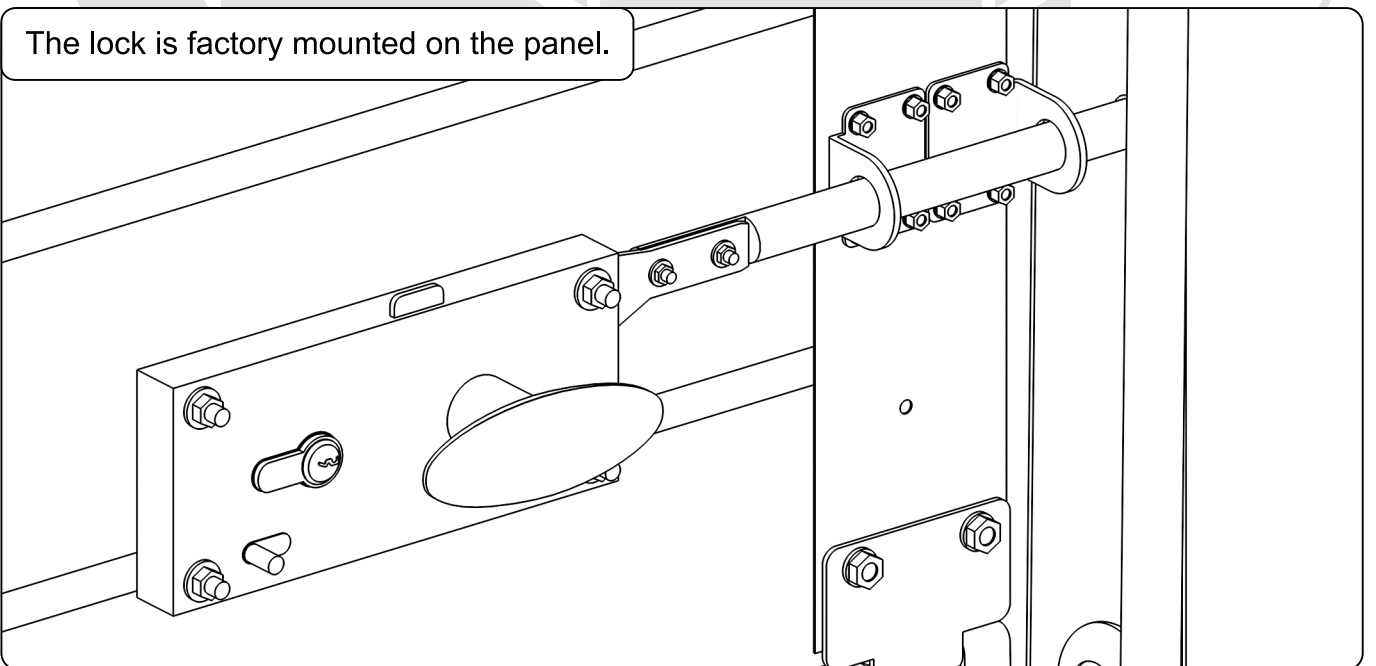


Optional – lock.

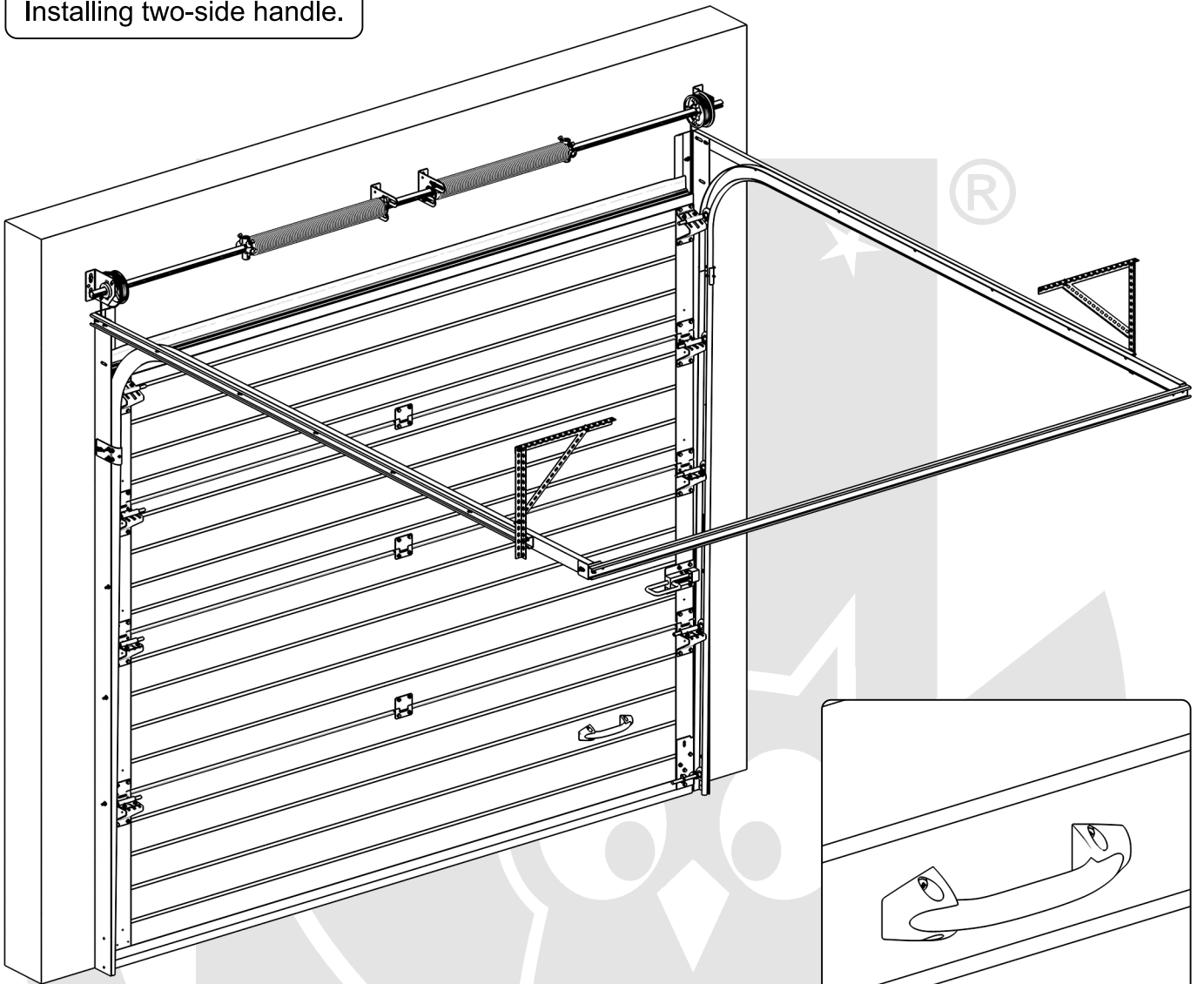


Drill Ø14 mm hole for locking bolt in the side track.

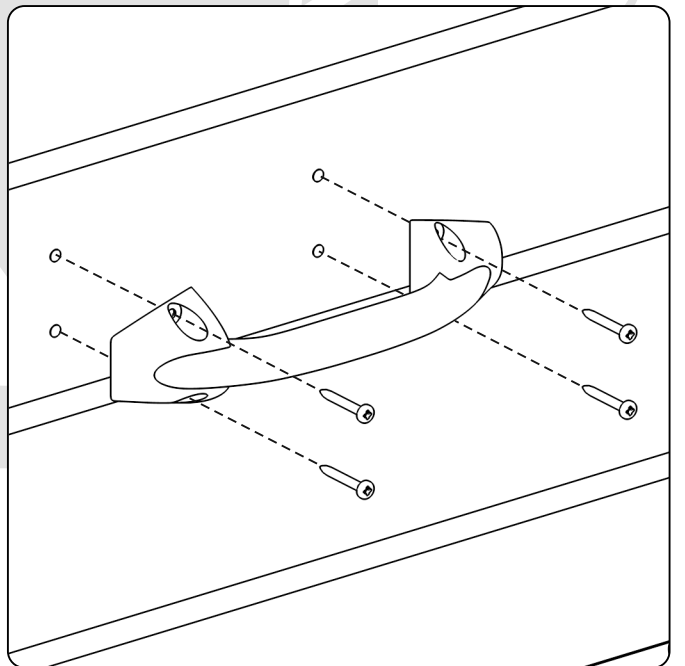
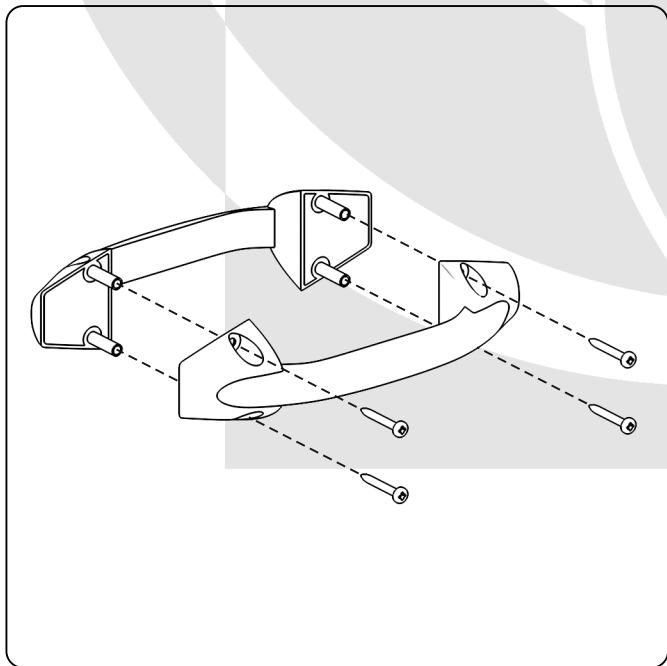
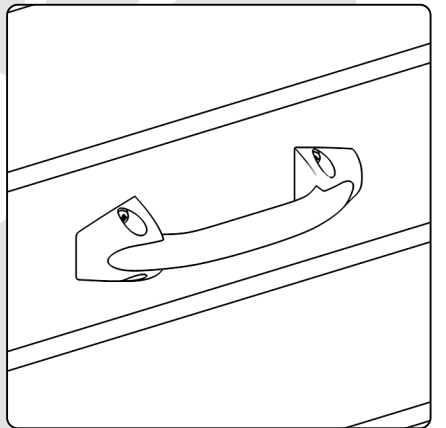
The lock is factory mounted on the panel.



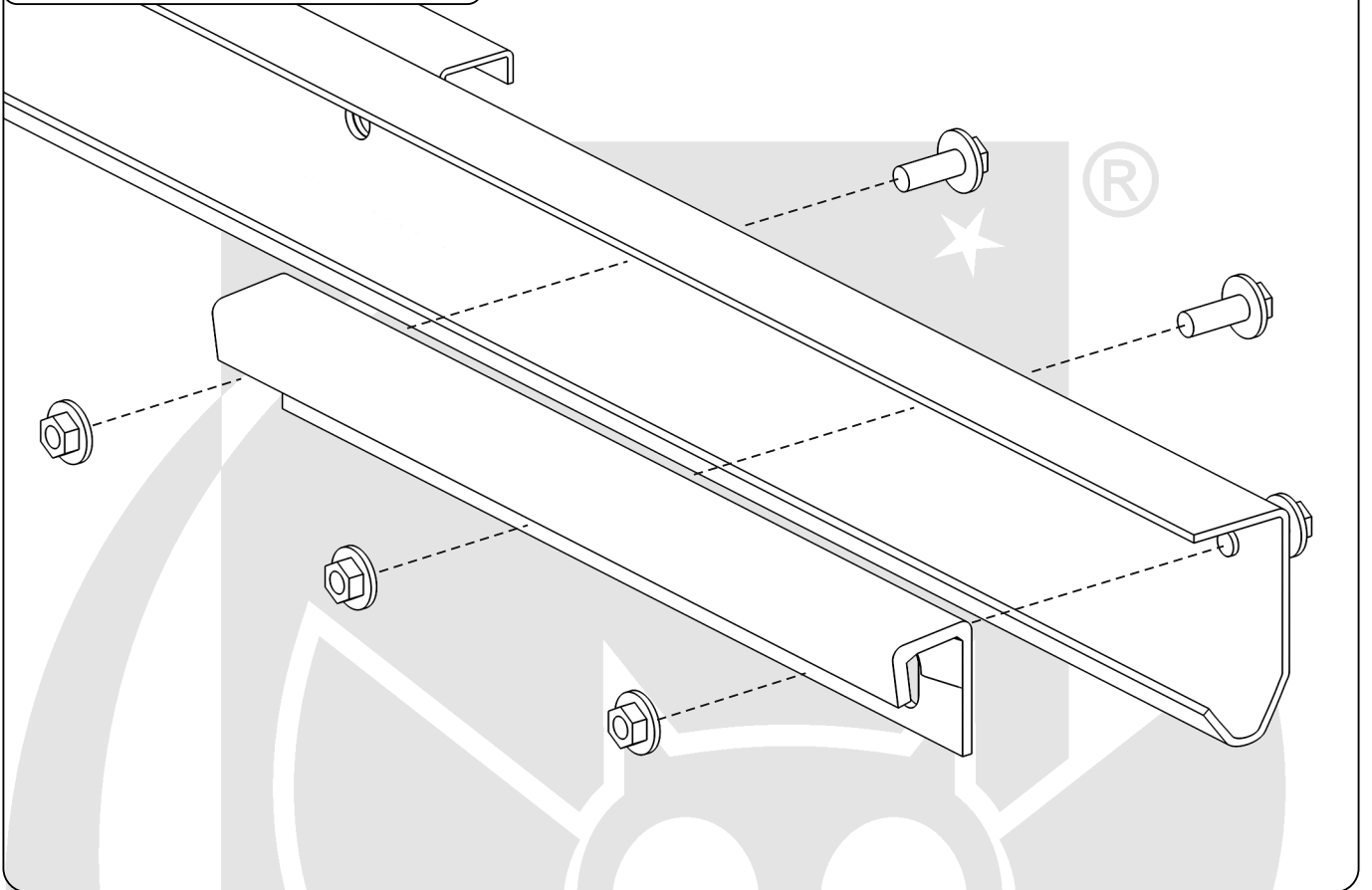
Installing two-side handle.



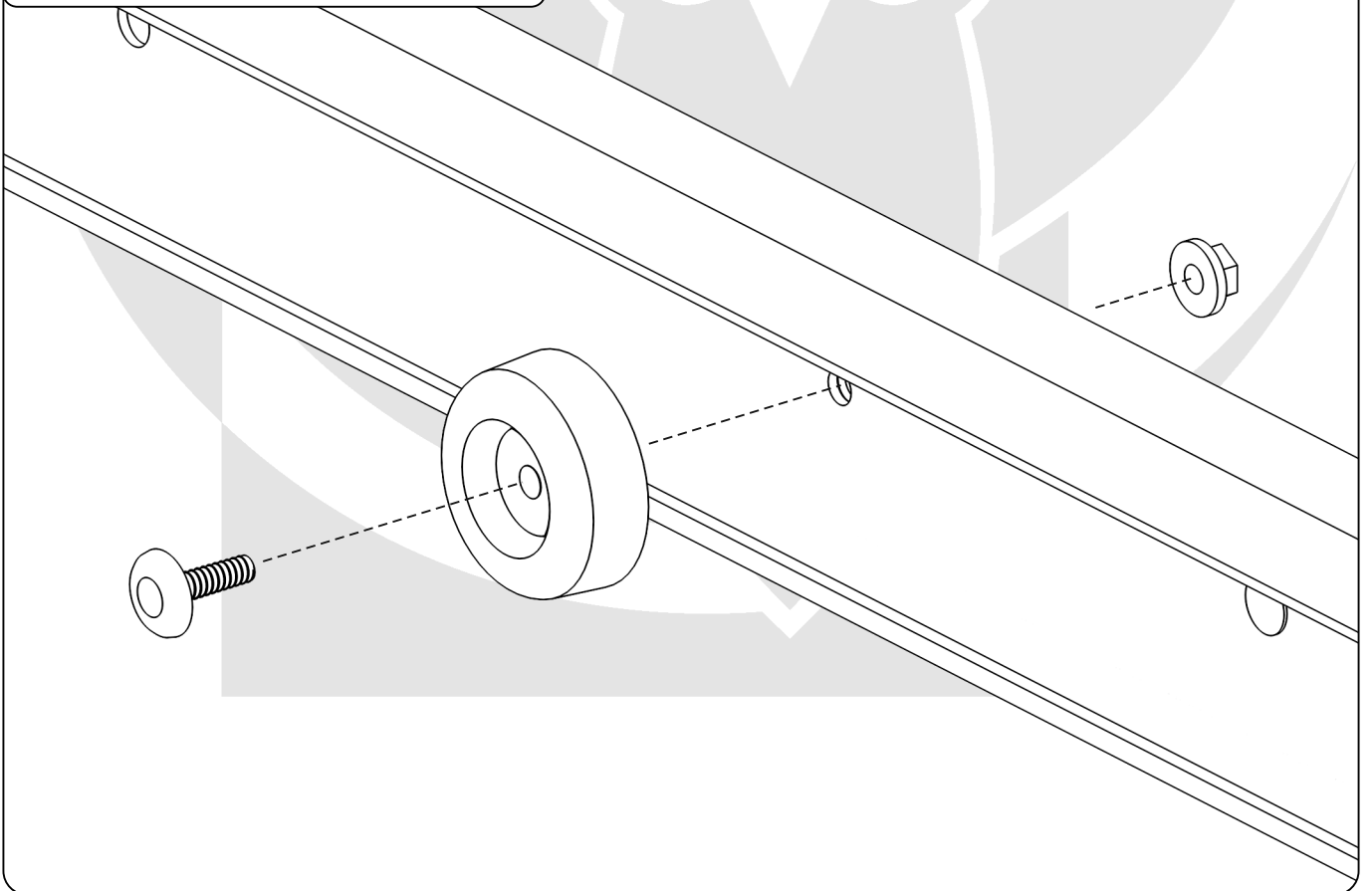
Select the handle installation point with the Client.



Use roller grip for manual door.



Use rubber stop for automatic door.





Fart Produkt Sp. z o. o. Sp. k.
ul. Towarowa 3, 87-100 Toruń
tel. +48 56 623 55 77
e-mail: export@fartprodukt.pl
www.fartprodukt.pl